



US00D648426S

(12) **United States Design Patent**
Yanone et al.

(10) **Patent No.:** **US D648,426 S**

(45) **Date of Patent:** **** Nov. 8, 2011**

(54) **AERATION PIPE UNIT**

(75) Inventors: **Katsuyuki Yanone**, Toyohashi (JP);
Tomoki Kawagishi, Toyohashi (JP);
Shinya Sueyoshi, Toyohashi (JP)

(73) Assignee: **Mitsubishi Rayon Company, Ltd.** (JP)

(**) Term: **14 Years**

(21) Appl. No.: **29/366,644**

(22) Filed: **Jul. 28, 2010**

(30) **Foreign Application Priority Data**

Jan. 29, 2010 (JP) 2010-002173

(51) **LOC (9) Cl.** **23-01**

(52) **U.S. Cl.** **D23/266**

(58) **Field of Classification Search** D23/259-269;
210/232, 323.2, 321.72, 321.78, 321.8, 321.88,
210/321.89, 500.23

See application file for complete search history.

(56) **References Cited**

U.S. PATENT DOCUMENTS

3,612,282	A *	10/1971	Cheng	210/321.89
4,911,846	A *	3/1990	Akasu et al.	210/645
5,174,900	A *	12/1992	Nichols et al.	210/651
5,192,456	A *	3/1993	Ishida et al.	210/791
5,202,023	A *	4/1993	Trimmer et al.	210/321.8
5,236,665	A *	8/1993	Mathewson et al.	422/46
5,338,512	A *	8/1994	Mathewson et al.	422/46
D375,540	S *	11/1996	McDonald	D23/207
5,922,201	A *	7/1999	Yamamori et al.	210/321.79

6,153,097	A *	11/2000	Jensvold et al.	210/321.81
6,214,226	B1 *	4/2001	Kobayashi et al.	210/500.23
6,555,005	B1 *	4/2003	Zha et al.	210/636
6,630,069	B2 *	10/2003	Sakashita et al.	210/321.69
2001/0009235	A1 *	7/2001	Sakashita et al.	210/321.8
2003/0038075	A1 *	2/2003	Akimoto et al.	210/321.79
2004/0045890	A1 *	3/2004	Herczeg	210/321.8
2005/0121391	A1 *	6/2005	Koch	210/650
2006/0014274	A1 *	1/2006	Klaus	435/297.4
2010/0258492	A1 *	10/2010	Kang et al.	210/232
2010/0270227	A1 *	10/2010	Kang et al.	210/236
2011/0024345	A1 *	2/2011	Lee	210/237

* cited by examiner

Primary Examiner — T. Chase Nelson

Assistant Examiner — Eric Goodman

(74) *Attorney, Agent, or Firm* — SAIDMAN DesignLaw Group

(57) **CLAIM**

The ornamental design for an aeration pipe unit, as shown and described.

DESCRIPTION

FIG. 1 is a perspective view of an aeration pipe unit showing our new design;

FIG. 2 is a front elevational view thereof;

FIG. 3 is a rear elevational view thereof;

FIG. 4 is a top plan view thereof;

FIG. 5 is a left right side elevational view thereof;

FIG. 6 is a right side elevational view thereof; and,

FIG. 7 is a bottom plan view thereof.

The broken lines are for the purpose of illustrating portions of the aeration pipe unit and form no part of the claimed design.

1 Claim, 3 Drawing Sheets

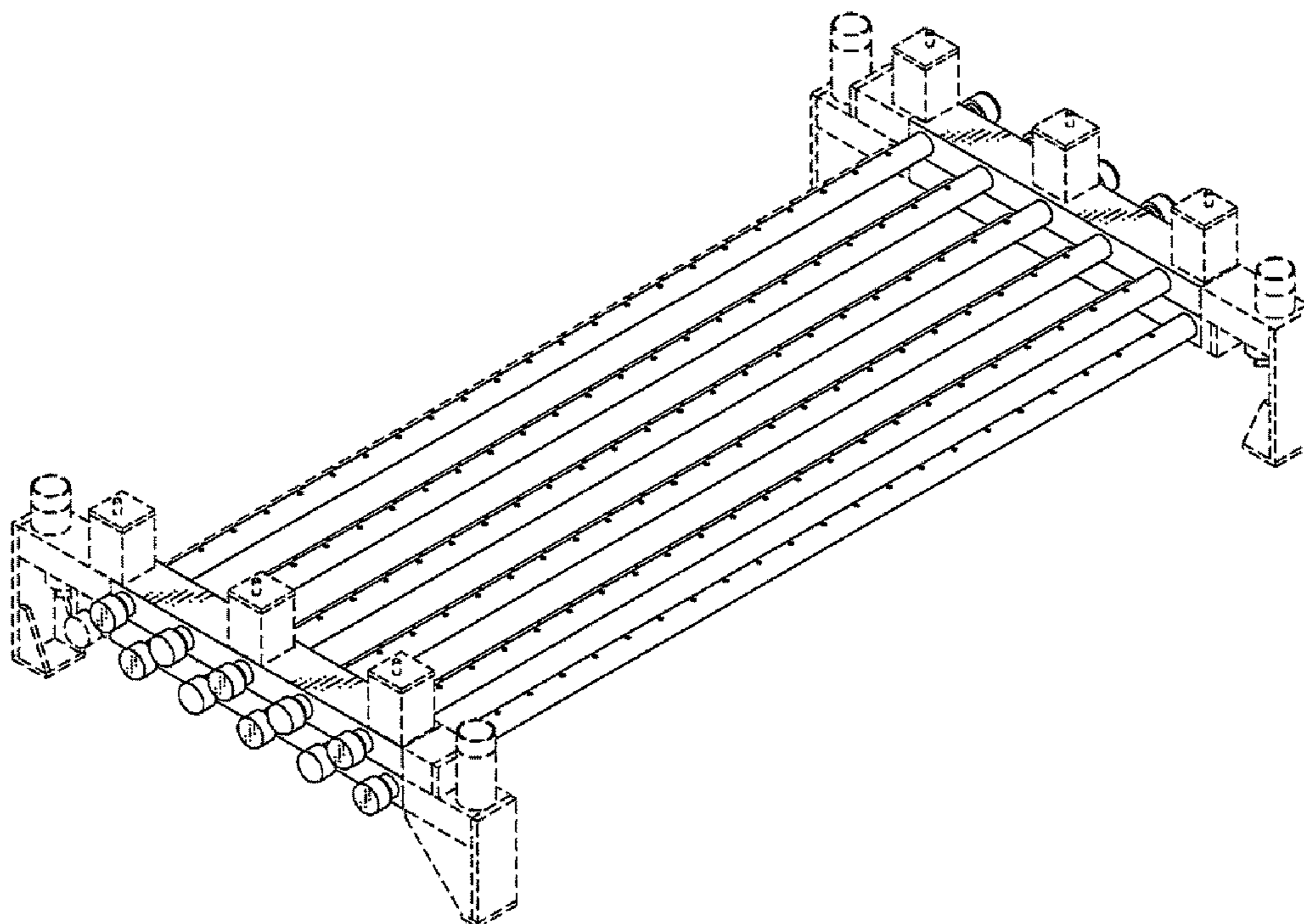


Fig. 1

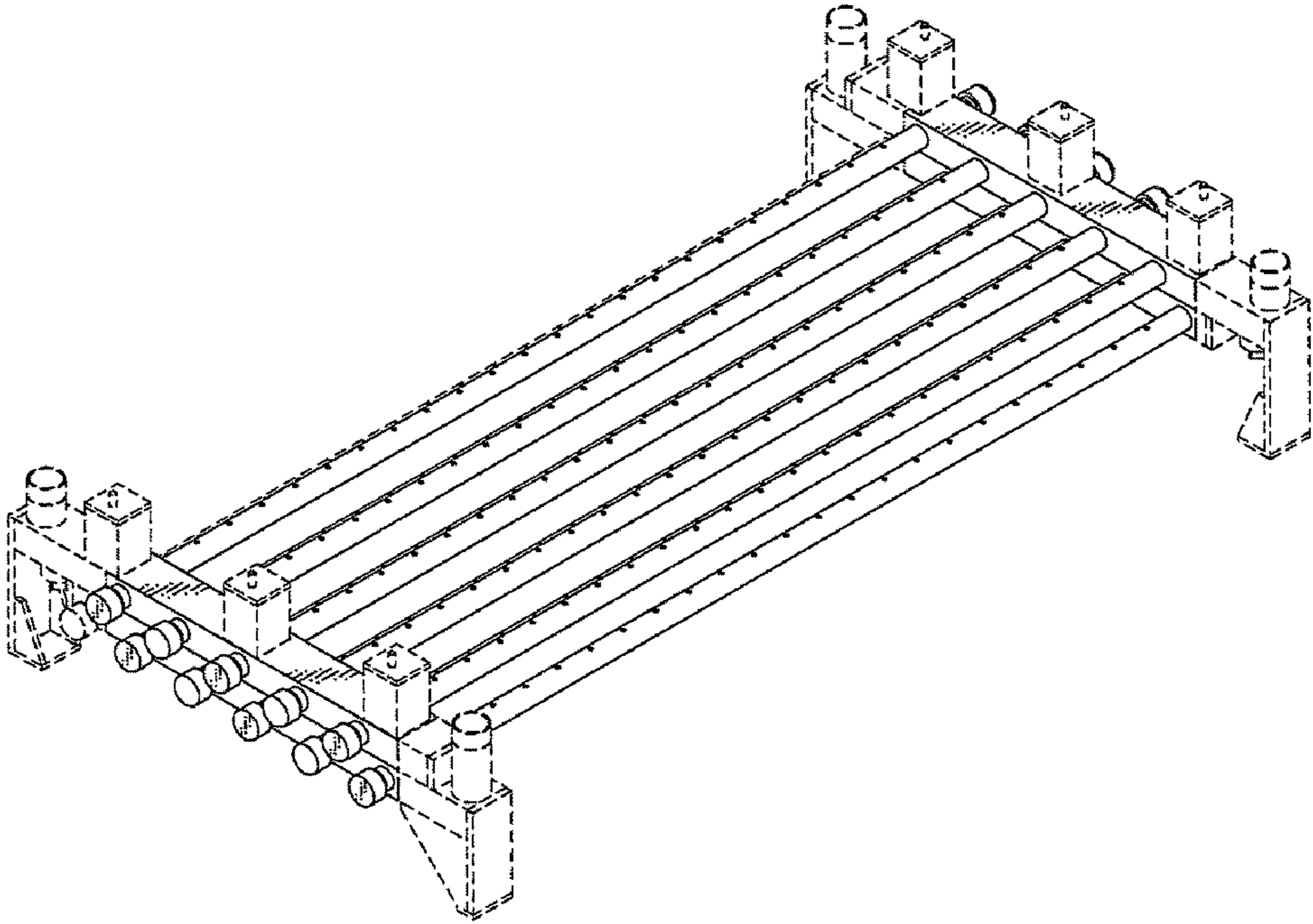


Fig. 2

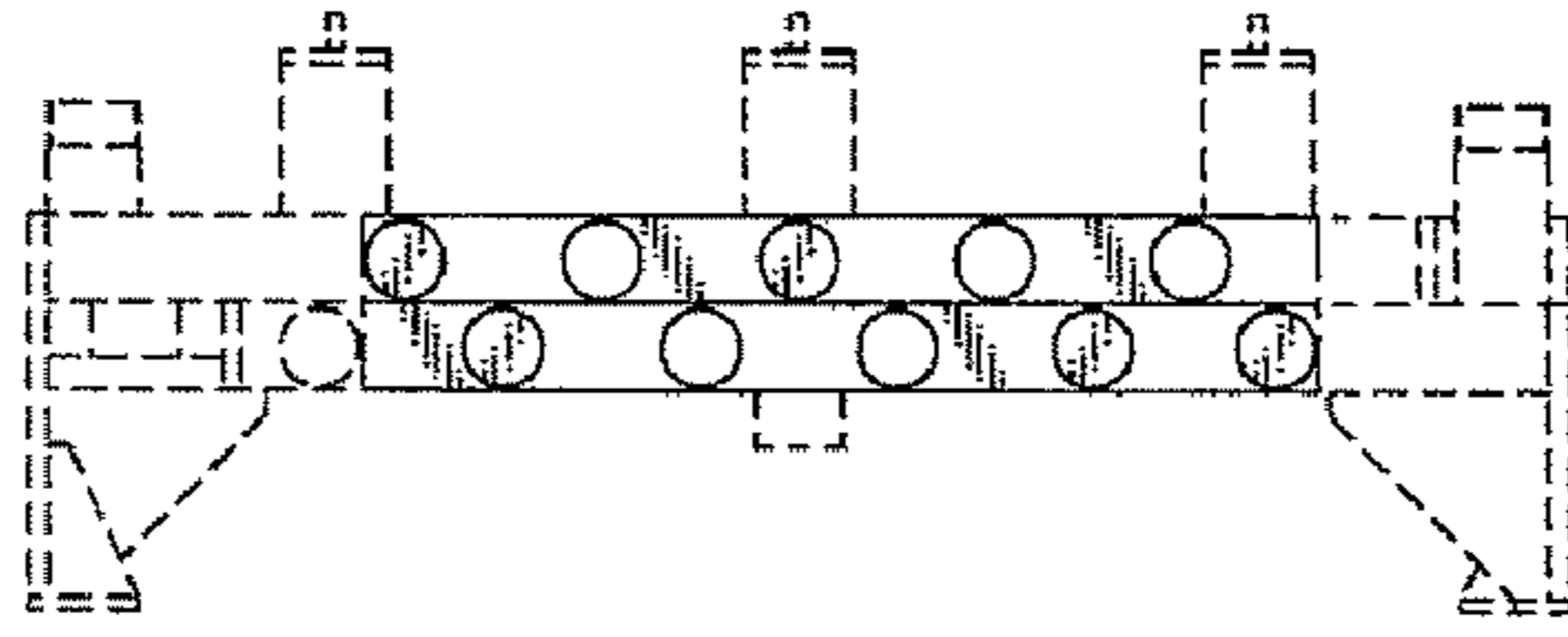


Fig. 3

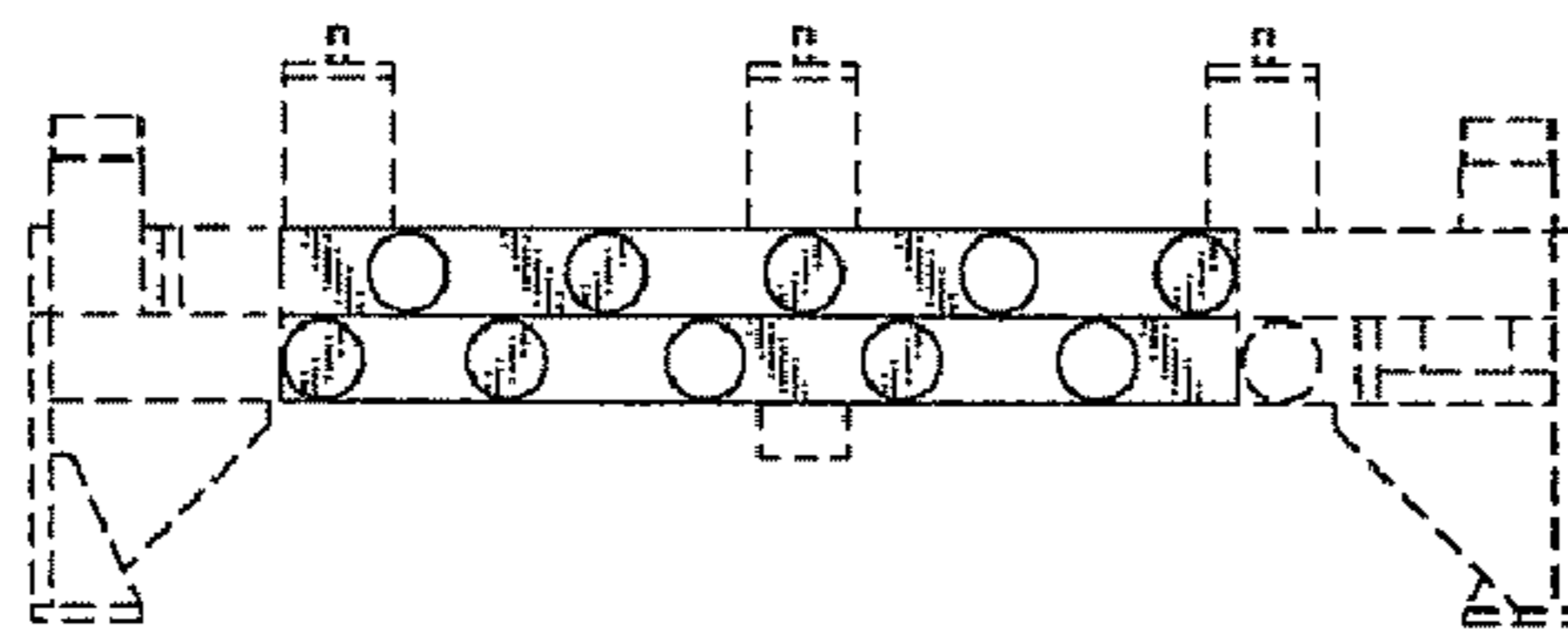


Fig. 4

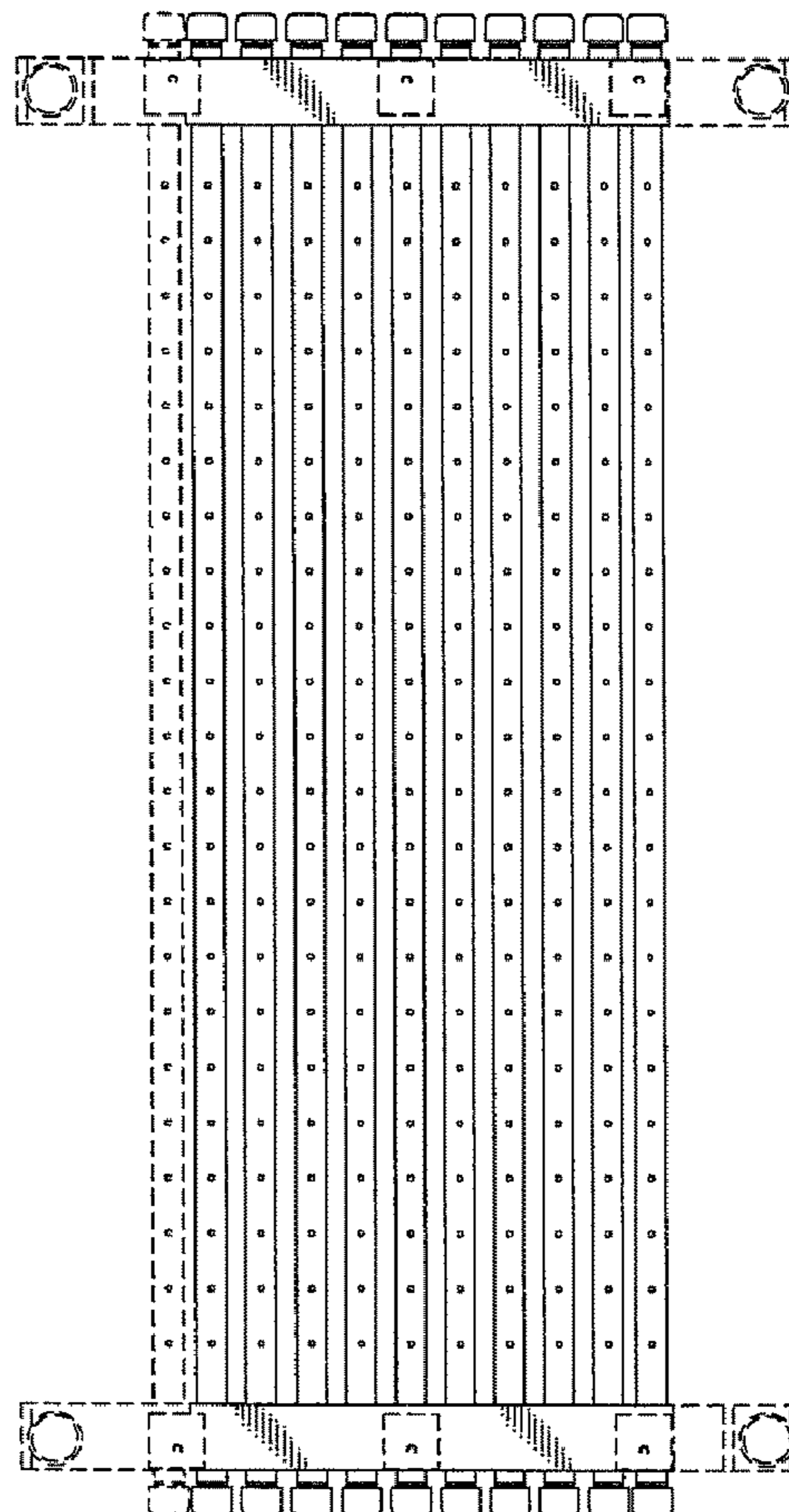


Fig. 5

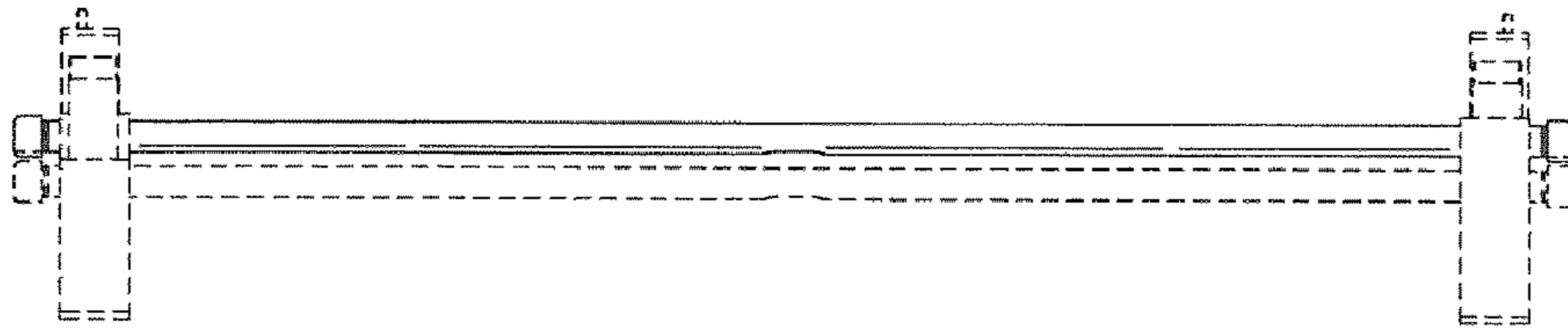


Fig. 6

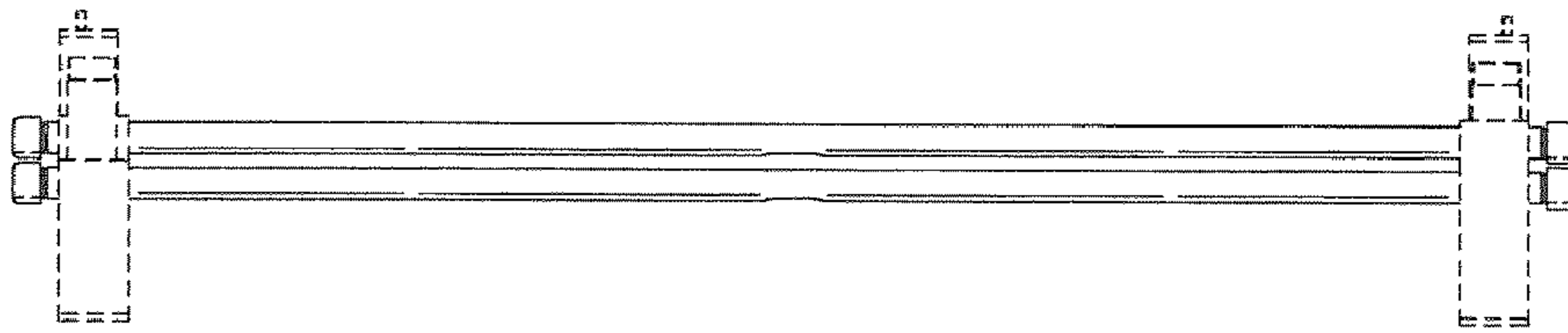


Fig. 7

