



US00D648425S

(12) **United States Design Patent**
Plaisted et al.

(10) **Patent No.:** **US D648,425 S**

(45) **Date of Patent:** **** Nov. 8, 2011**

(54) **CONCENTRIC ADAPTOR**

(75) Inventors: **Joshua Reed Plaisted**, Oakland, CA (US); **Charles Wade Albritton**, Hercules, CA (US); **Ramachandran Narayanamurthy**, Loveland, CO (US)

(73) Assignee: **PVT Solar Inc.**, Fremont, CA (US)

(**) Term: **14 Years**

(21) Appl. No.: **29/351,766**

(22) Filed: **Dec. 10, 2009**

(51) **LOC (9) Cl.** **23-01**

(52) **U.S. Cl.** **D23/259**

(58) **Field of Classification Search** D23/259-269;
52/173.3; 136/241-252; 320/101; 438/66,
438/72, 80

See application file for complete search history.

(56) **References Cited**

U.S. PATENT DOCUMENTS

3,290,178	A *	12/1966	Loveland	136/242
3,449,589	A *	6/1969	Majkrzak et al.	290/2
4,508,931	A *	4/1985	Michel et al.	136/255
D297,678	S *	9/1988	Sisk	D34/28
D431,634	S *	10/2000	Mantz	D23/263
D465,012	S *	10/2002	Tauzer	D23/259
D554,238	S *	10/2007	Zielke et al.	D23/262

D634,087	S *	3/2011	Sgroi et al.	D32/40
2003/0015990	A1 *	1/2003	Ermis et al.	320/101
2010/0263709	A1 *	10/2010	Norman et al.	136/246
2011/0017267	A1 *	1/2011	Lichy et al.	136/246

* cited by examiner

Primary Examiner — T. Chase Nelson

Assistant Examiner — Eric Goodman

(74) *Attorney, Agent, or Firm* — Richard T. Ogawa; Ogawa P.C.

(57) **CLAIM**

The ornamental design for a concentric adaptor, as shown and described.

DESCRIPTION

FIG. 1 is a perspective view of a concentric adaptor showing our new design;

FIG. 2 is a side view of the concentric adaptor;

FIG. 3 is another side view, in an angle of about 90 degrees rotated from FIG. 2, of the concentric adaptor;

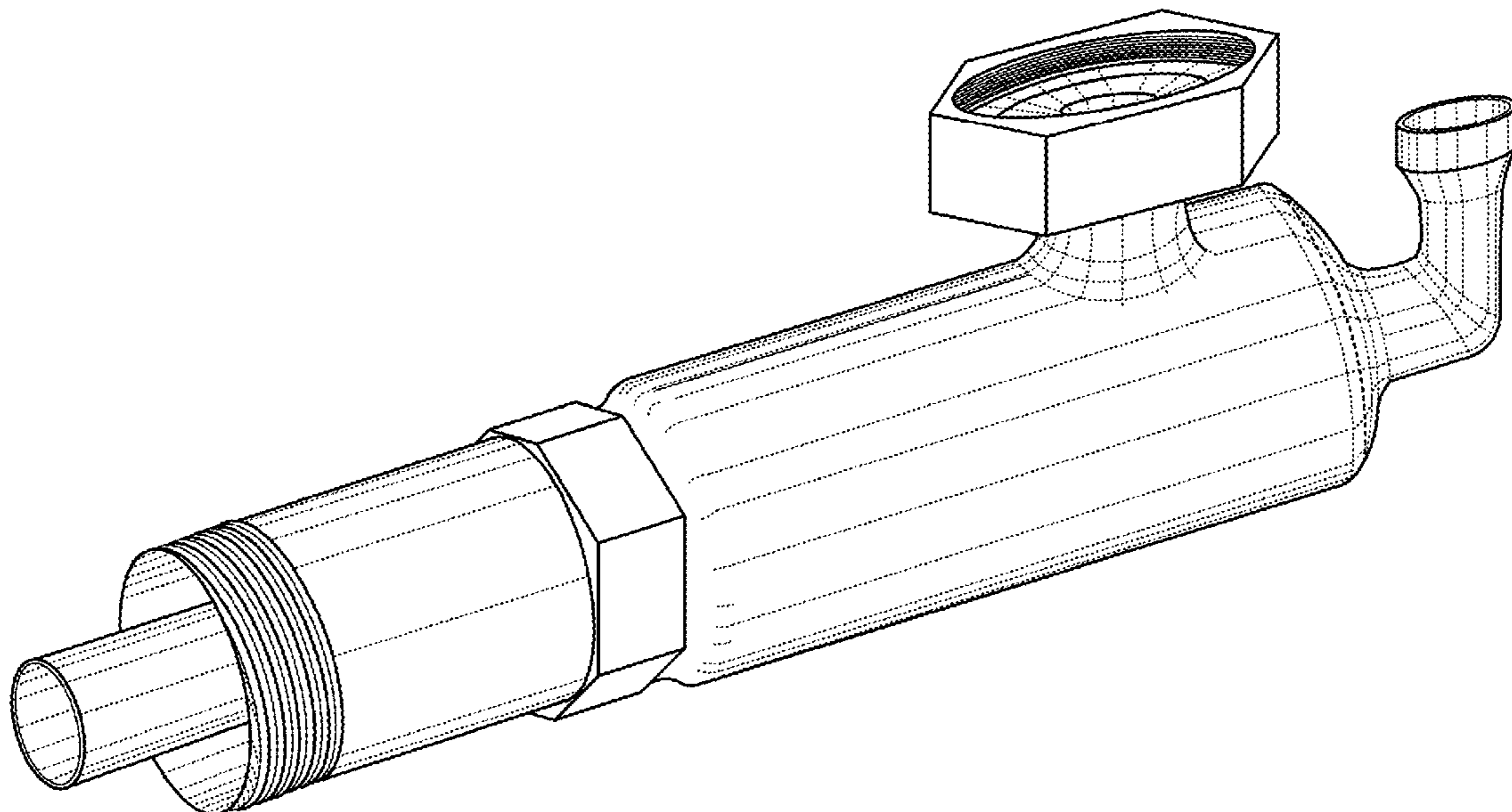
FIG. 4 is an end view of the concentric adaptor;

FIG. 5 is another end view, in an angle opposite to that of FIG. 4, of the concentric adaptor;

FIG. 6 is a cutaway view, cutting through line 6-6 in FIG. 3, of the concentric adaptor.

The graphics and portion of a concentric adaptor shown in broken lines form no part of the claimed design.

1 Claim, 5 Drawing Sheets



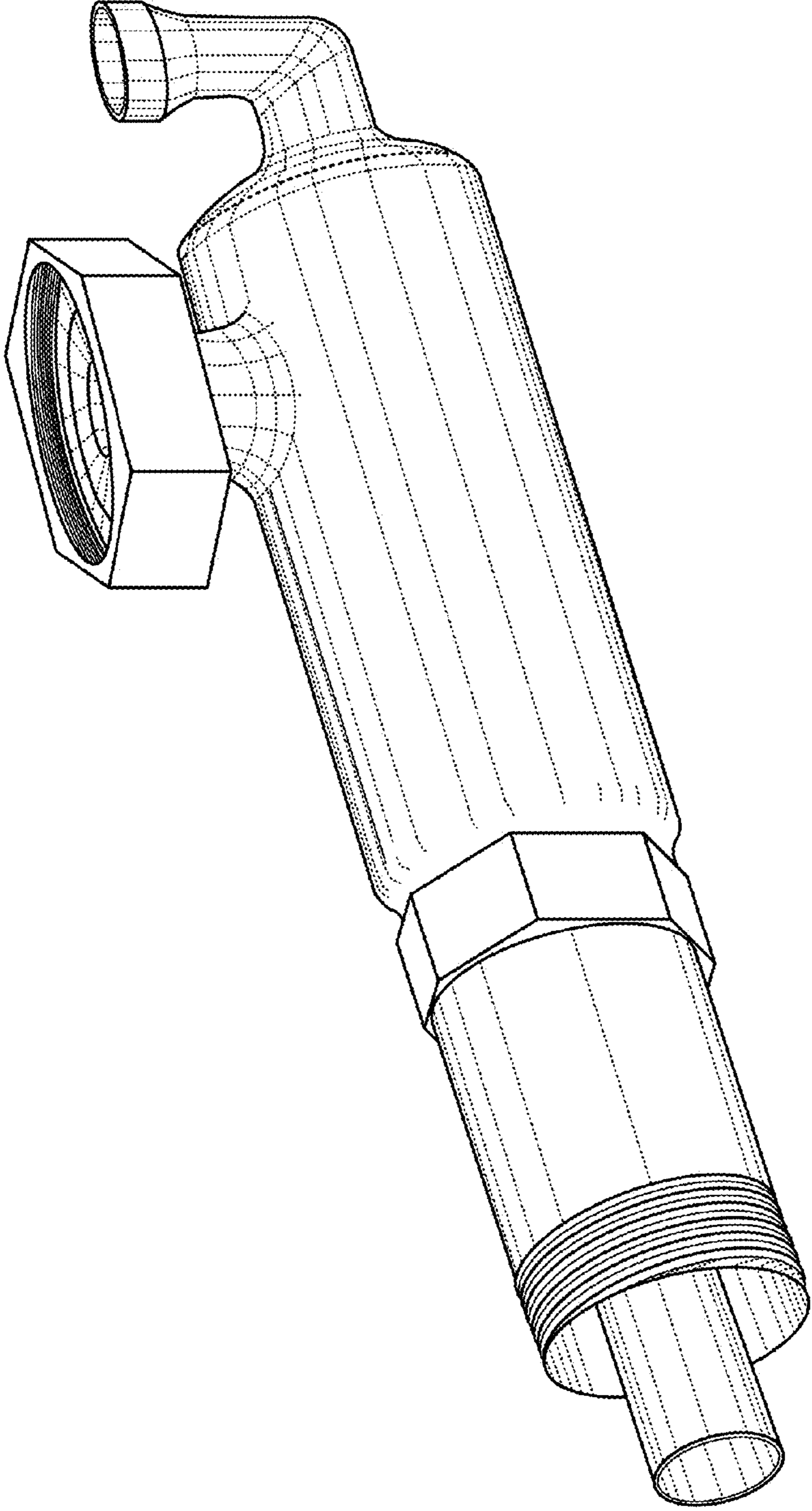


FIG. 1

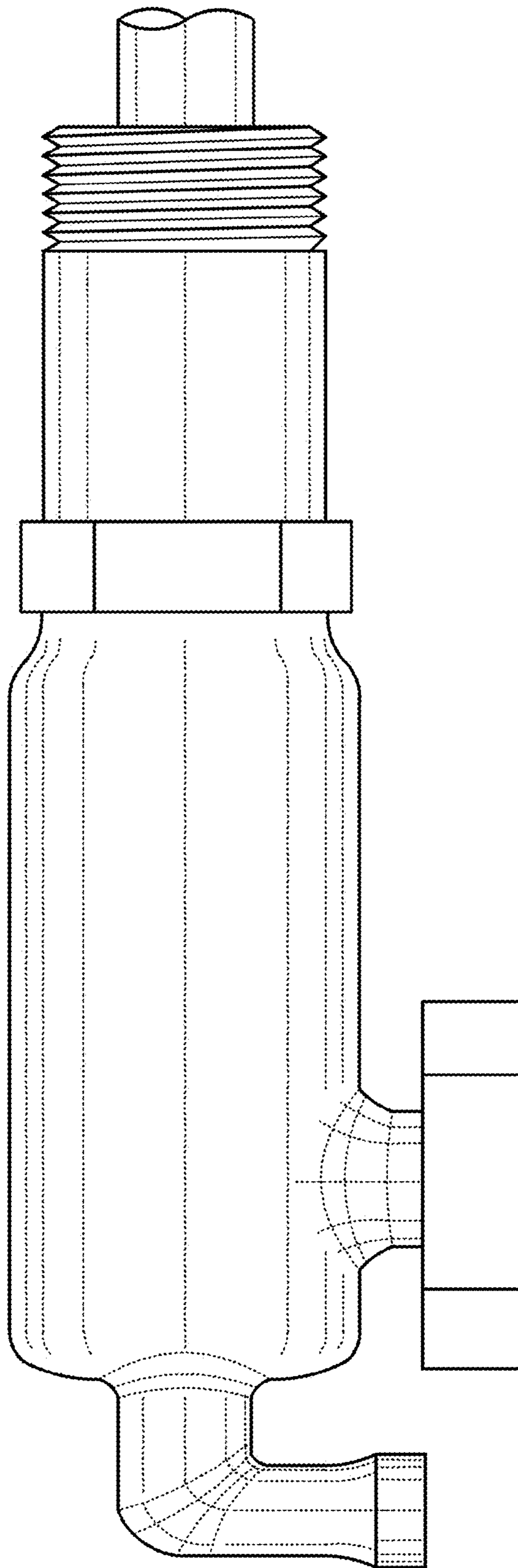


FIG. 2

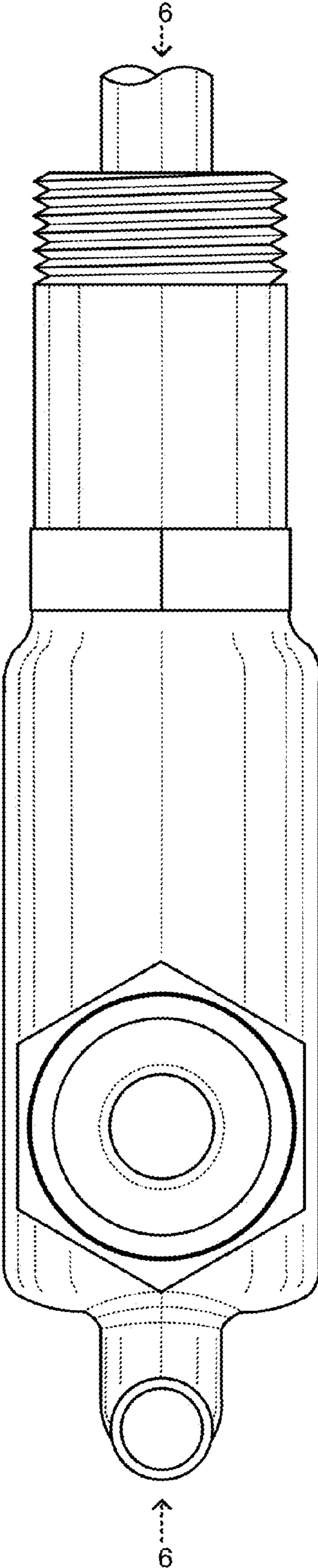


FIG. 3

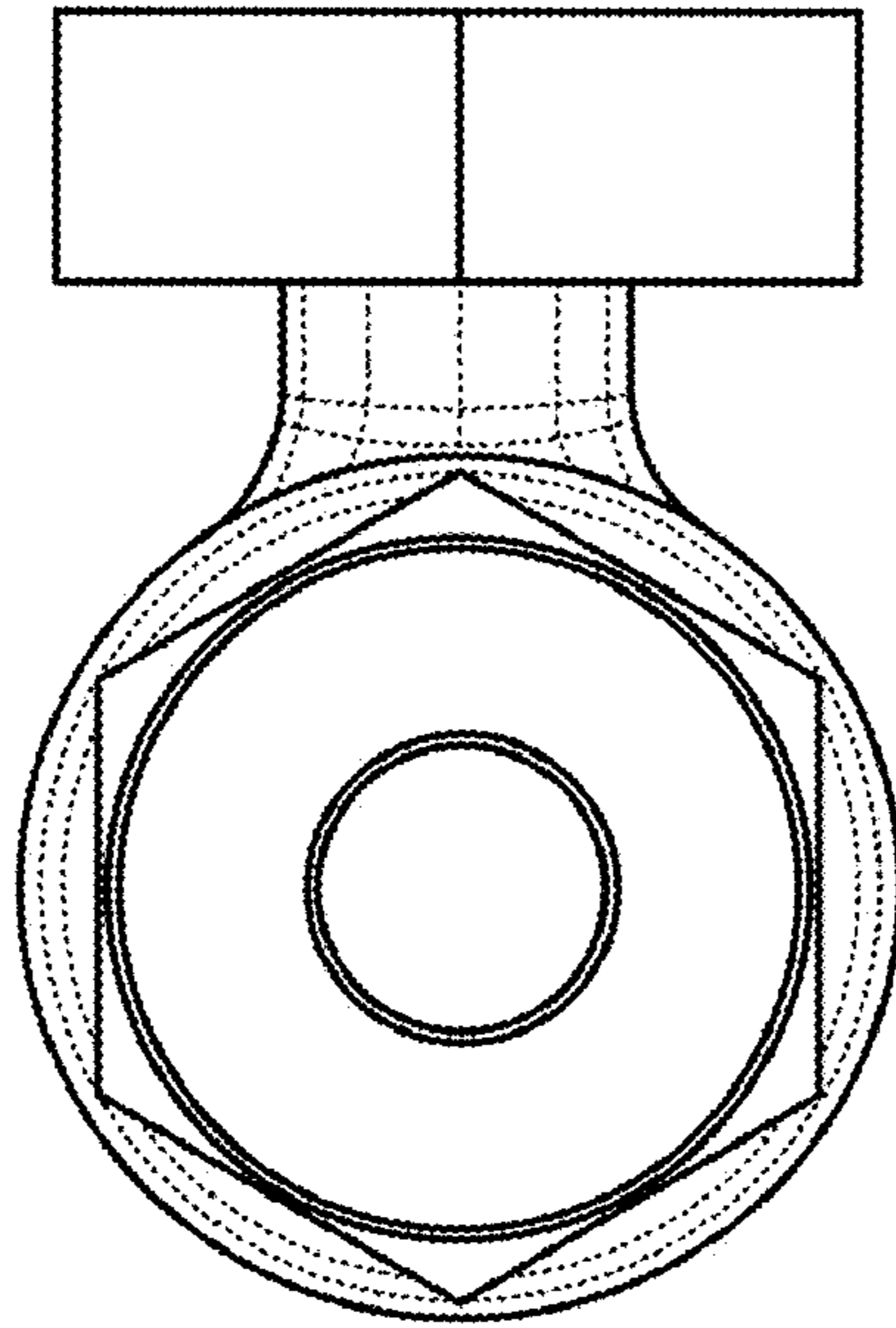


FIG. 4

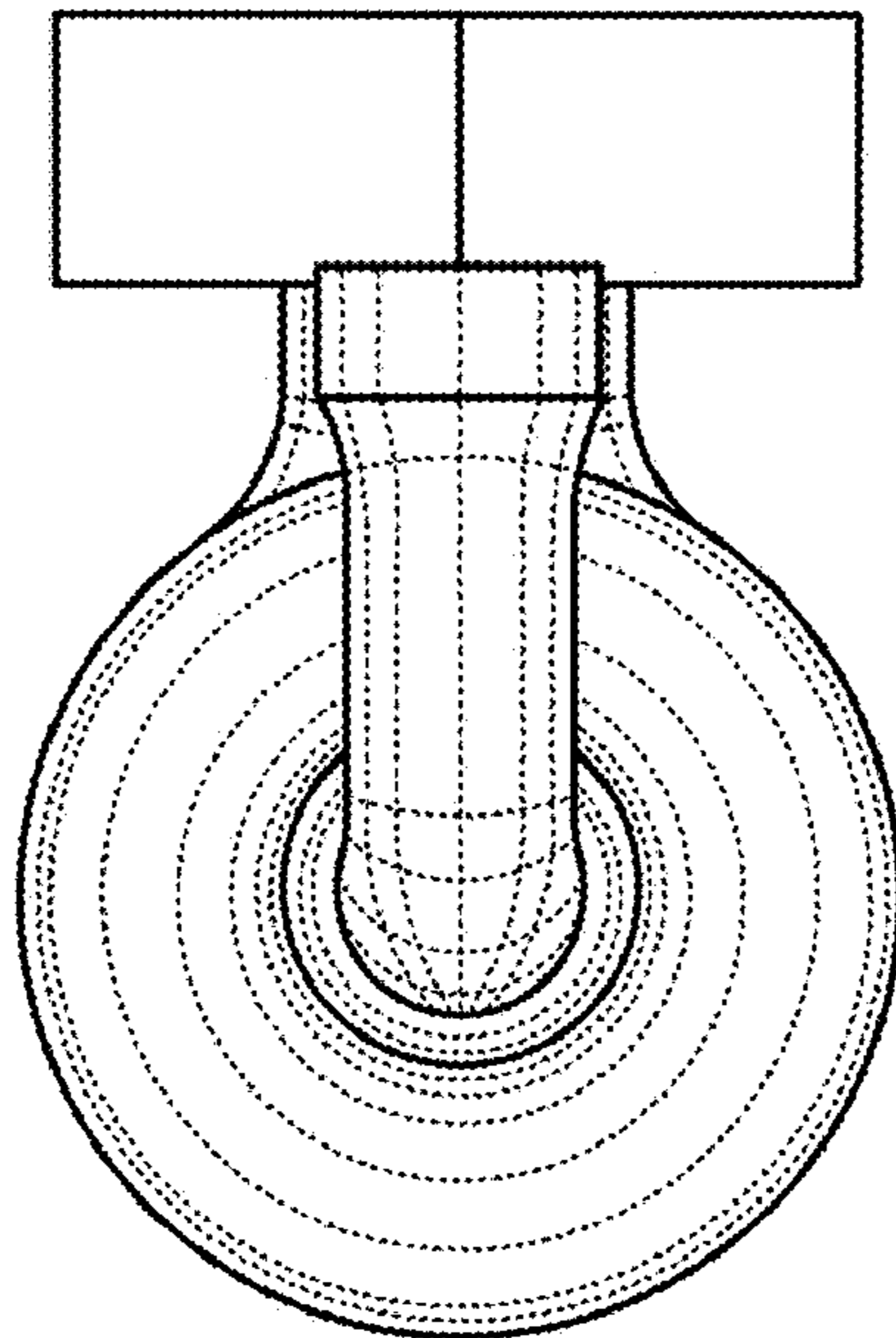


FIG. 5

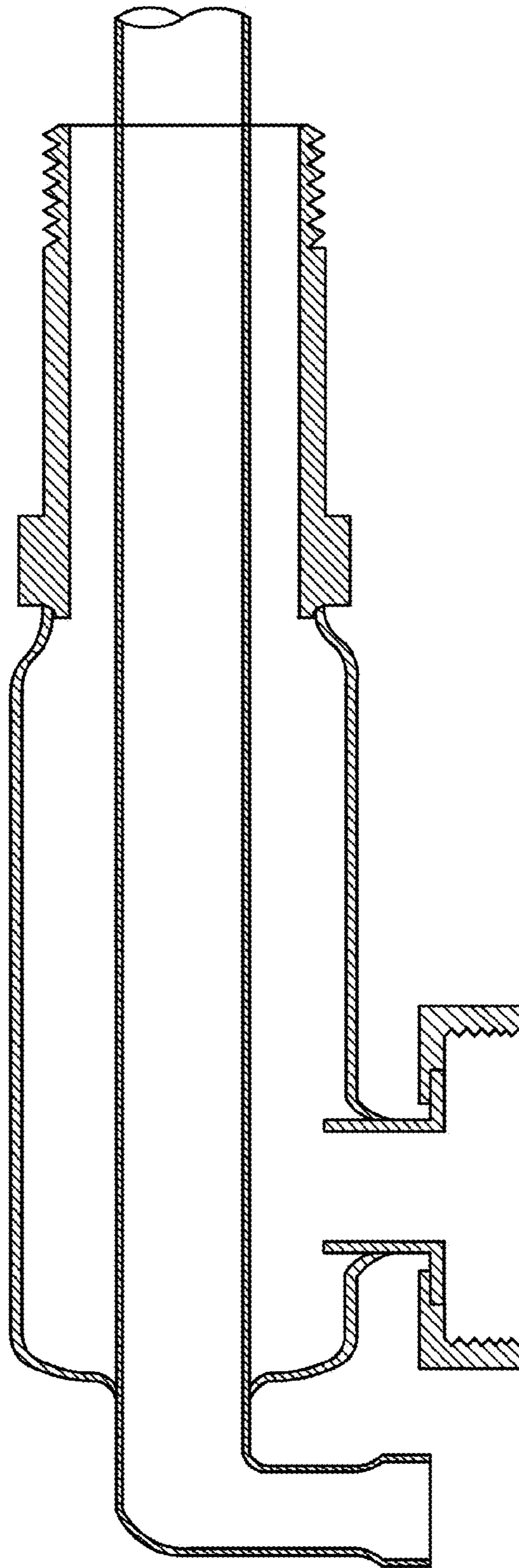


FIG. 6