



US00D648424S

(12) **United States Design Patent**  
**Gilbert**

(10) **Patent No.:** **US D648,424 S**

(45) **Date of Patent:** **\*\* Nov. 8, 2011**

- (54) **ESCUTCHEON**
- (75) **Inventor:** **Christopher Jon Gilbert**, Moreland Hills, OH (US)
- (73) **Assignee:** **Moen Incorporated**, North Olmsted, OH (US)
- (\*\*) **Term:** **14 Years**
- (21) **Appl. No.:** **29/386,940**
- (22) **Filed:** **Mar. 7, 2011**
- (51) **LOC (9) Cl.** ..... **23-01**
- (52) **U.S. Cl.** ..... **D23/254; D8/350; 137/359**
- (58) **Field of Classification Search** ..... **D23/250, D23/252, 254, 238-243; 4/676-677; 137/801, 137/359; D8/350-353**  
See application file for complete search history.

- D498,290 S 11/2004 Egee
- D509,567 S 9/2005 Gilbert
- D522,845 S 6/2006 Suero
- D524,918 S 7/2006 Barry
- D529,137 S 9/2006 Chu et al.
- D531,276 S 10/2006 Tsai
- D533,641 S 12/2006 Singtoroj
- D536,203 S 2/2007 Berberet
- D547,165 S 7/2007 Barrese
- D557,049 S 12/2007 Sedwick et al.
- D565,937 S 4/2008 Tsai
- D581,028 S 11/2008 Dolan
- D582,015 S 12/2008 Yuan
- D582,018 S 12/2008 Yuan
- D597,634 S 8/2009 Haug et al.
- D599,590 S 9/2009 Hanes
- D600,479 S 9/2009 Gao
- D605,935 S 12/2009 Zeyfang
- D611,572 S 3/2010 Gao
- D616,682 S 6/2010 Gilbert
- D619,222 S 7/2010 Smith et al.

*Primary Examiner* — Robert Delehanty  
(74) *Attorney, Agent, or Firm* — Calfee, Halter & Griswold LLP

(56) **References Cited**

**U.S. PATENT DOCUMENTS**

- 363,954 A 5/1887 Gould
- D325,622 S 4/1992 Bengtson
- D332,824 S 1/1993 Robbins
- D337,681 S 7/1993 Sharpe
- D349,208 S 8/1994 Bollenbacher
- D356,708 S 3/1995 Shames et al.
- D362,615 S 9/1995 Shames et al.
- D371,826 S 7/1996 Robbins
- D375,149 S 10/1996 Robbins
- D407,143 S 3/1999 Hyde et al.
- D418,205 S 12/1999 Hyde et al.
- D451,687 S 12/2001 Sun et al.
- D452,790 S 1/2002 Chen
- 6,345,643 B1 2/2002 Ko
- D466,348 S 12/2002 Yen
- D466,737 S 12/2002 Tai
- D469,292 S 1/2003 Chen et al.
- 6,543,629 B1 4/2003 Samelson
- D483,440 S 12/2003 Smith

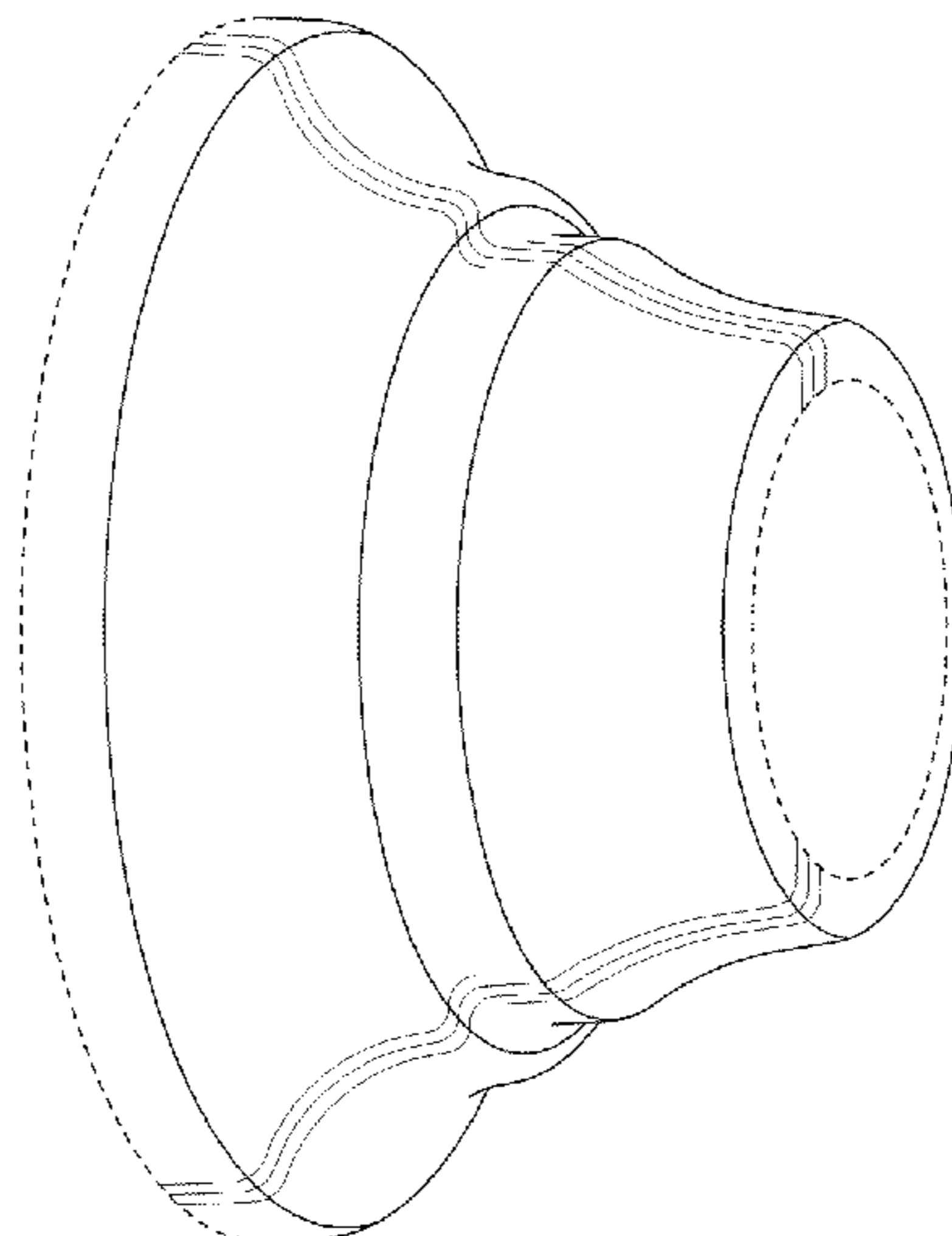
(57) **CLAIM**

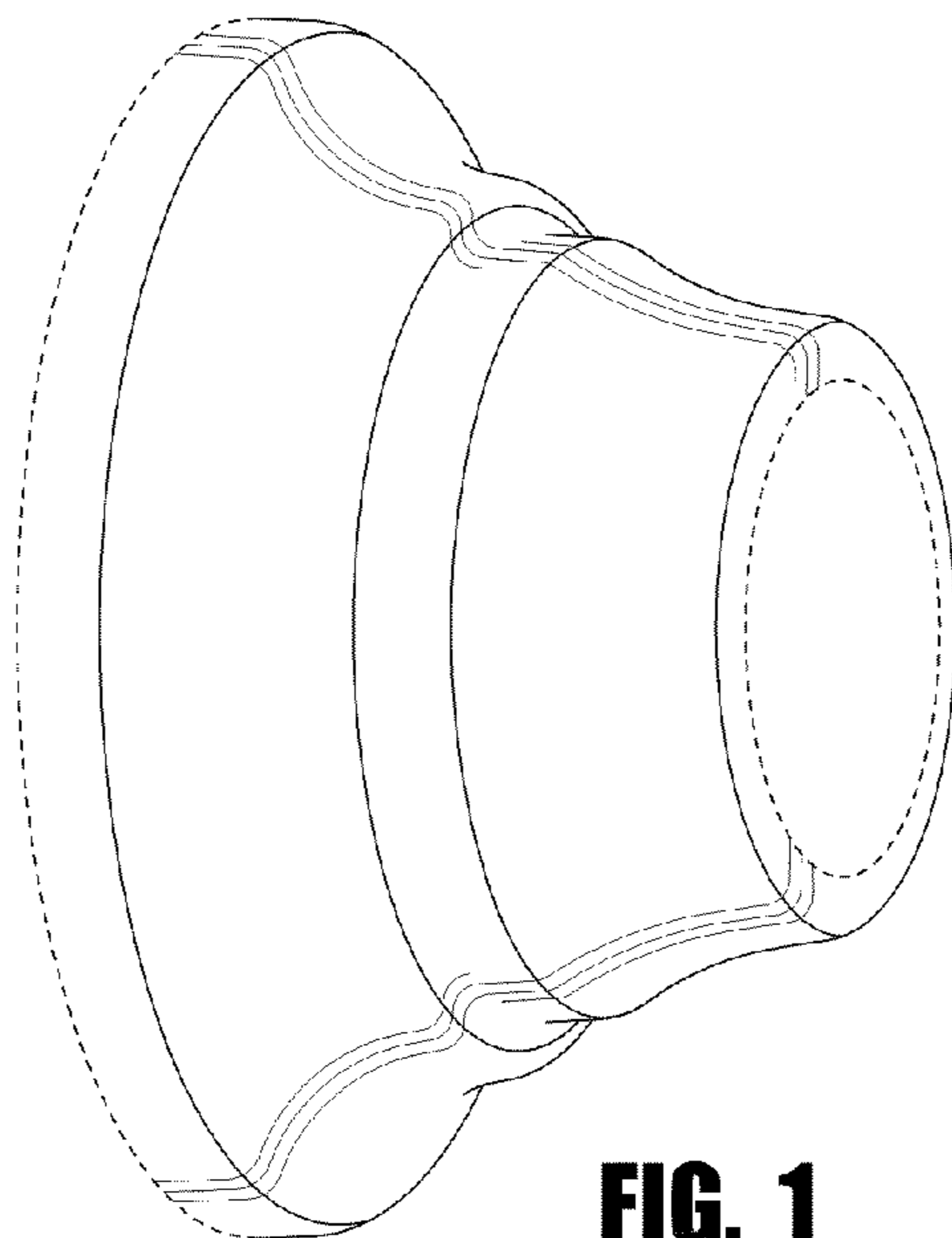
The ornamental design for an escutcheon, as shown and described.

**DESCRIPTION**

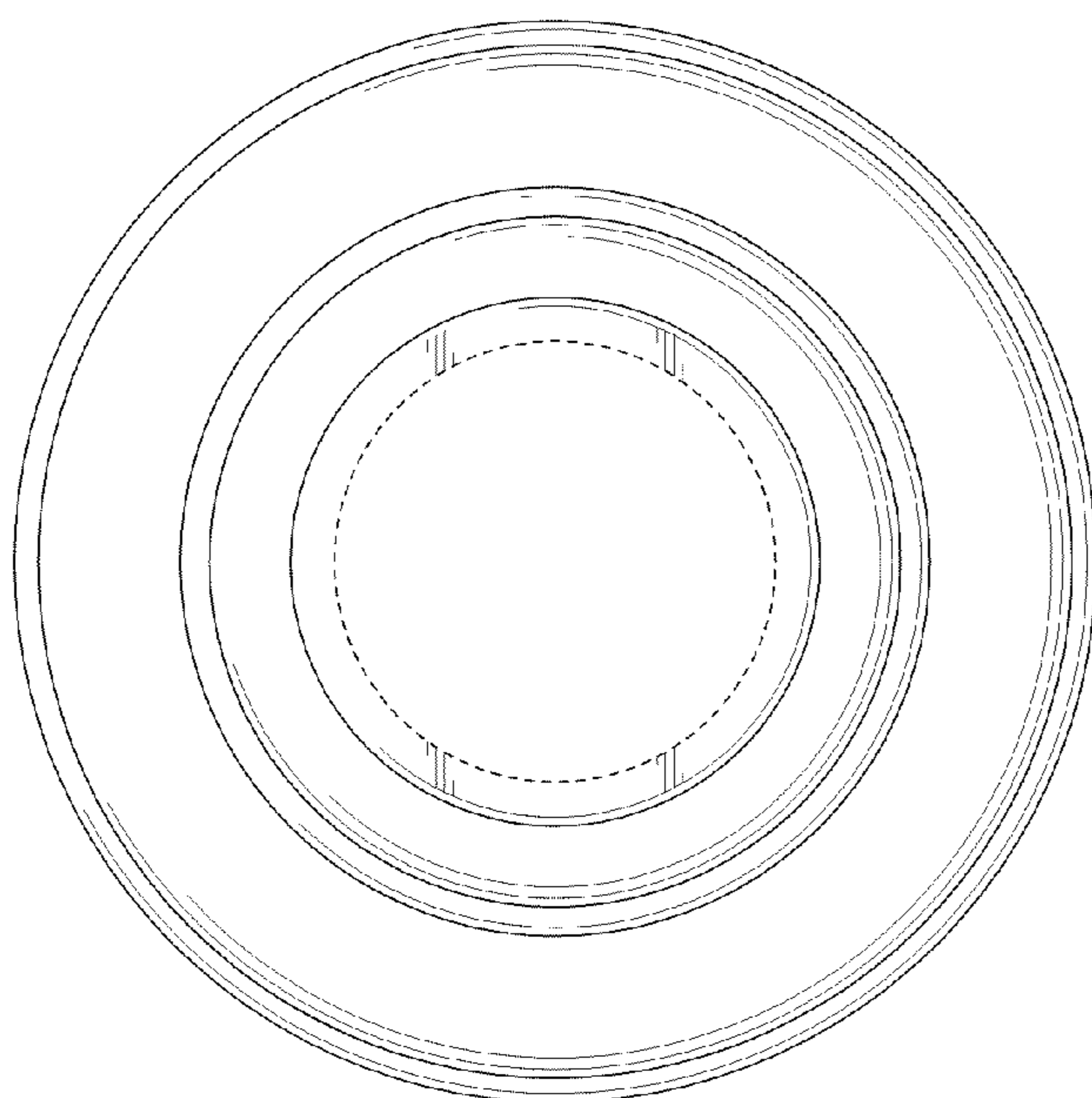
FIG. 1 is a perspective view of an escutcheon of the new design;  
FIG. 2 is a front elevational view of the escutcheon of FIG. 1; and,  
FIG. 3 is a left side elevational view of the escutcheon of FIG. 1, the right side elevational view, the top plan view, and the bottom plan view being the same as the left side elevational view.  
The portions of the Figures shown in broken lines are not part of the claimed design and are for illustration only.

**1 Claim, 1 Drawing Sheet**

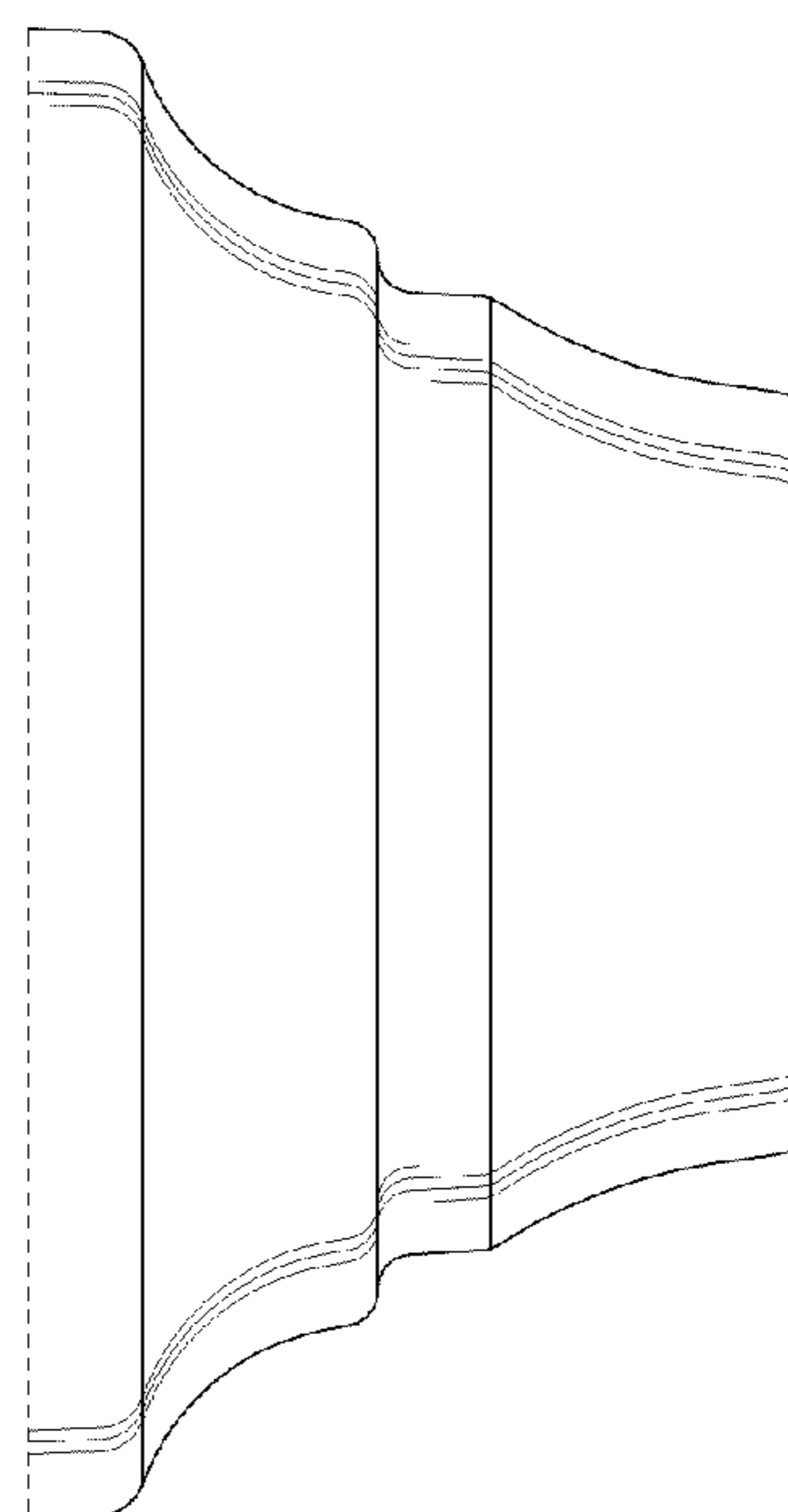




**FIG. 1**



**FIG. 2**



**FIG. 3**