



US00D648421S

(12) **United States Design Patent**
Hecht

(10) **Patent No.:** **US D648,421 S**

(45) **Date of Patent:** **** Nov. 8, 2011**

(54) **FLOW REGULATOR MODULE**

(75) Inventor: **Thomas R. Hecht**, Winters, CA (US)

(73) Assignee: **Automatic Bar Controls, Inc.**,
Vacaville, CA (US)

(**) Term: **14 Years**

(21) Appl. No.: **29/380,325**

(22) Filed: **Dec. 2, 2010**

(51) **LOC (9) Cl.** **23-01**

(52) **U.S. Cl.** **D23/233**

(58) **Field of Classification Search** D23/233-237,
D23/244-249; 137/15.04, 549, 597, 625.29,
137/625.4, 625.47, 15.08; 251/62, 63, 63.5,
251/129.1, 129.16-129.18, 149.1, 214, 309-310
See application file for complete search history.

(56) **References Cited**

U.S. PATENT DOCUMENTS

D442,260	S	*	5/2001	Marzec et al.	D23/233
D476,718	S	*	7/2003	Ferrer Beltran	D23/209
D478,965	S	*	8/2003	Ferrer Beltran	D23/233
D502,762	S	*	3/2005	Kriegshauser	D23/233
D504,715	S	*	5/2005	Hagihara	D23/235

D538,889	S	*	3/2007	Marstorp	D23/233
D539,387	S	*	3/2007	Donovan et al.	D23/233
D559,955	S	*	1/2008	Donovan et al.	D23/233

* cited by examiner

Primary Examiner — Cathron C. Brooks

Assistant Examiner — Maurice Stevens

(74) *Attorney, Agent, or Firm* — Kilpatrick Townsend & Stockton LLP

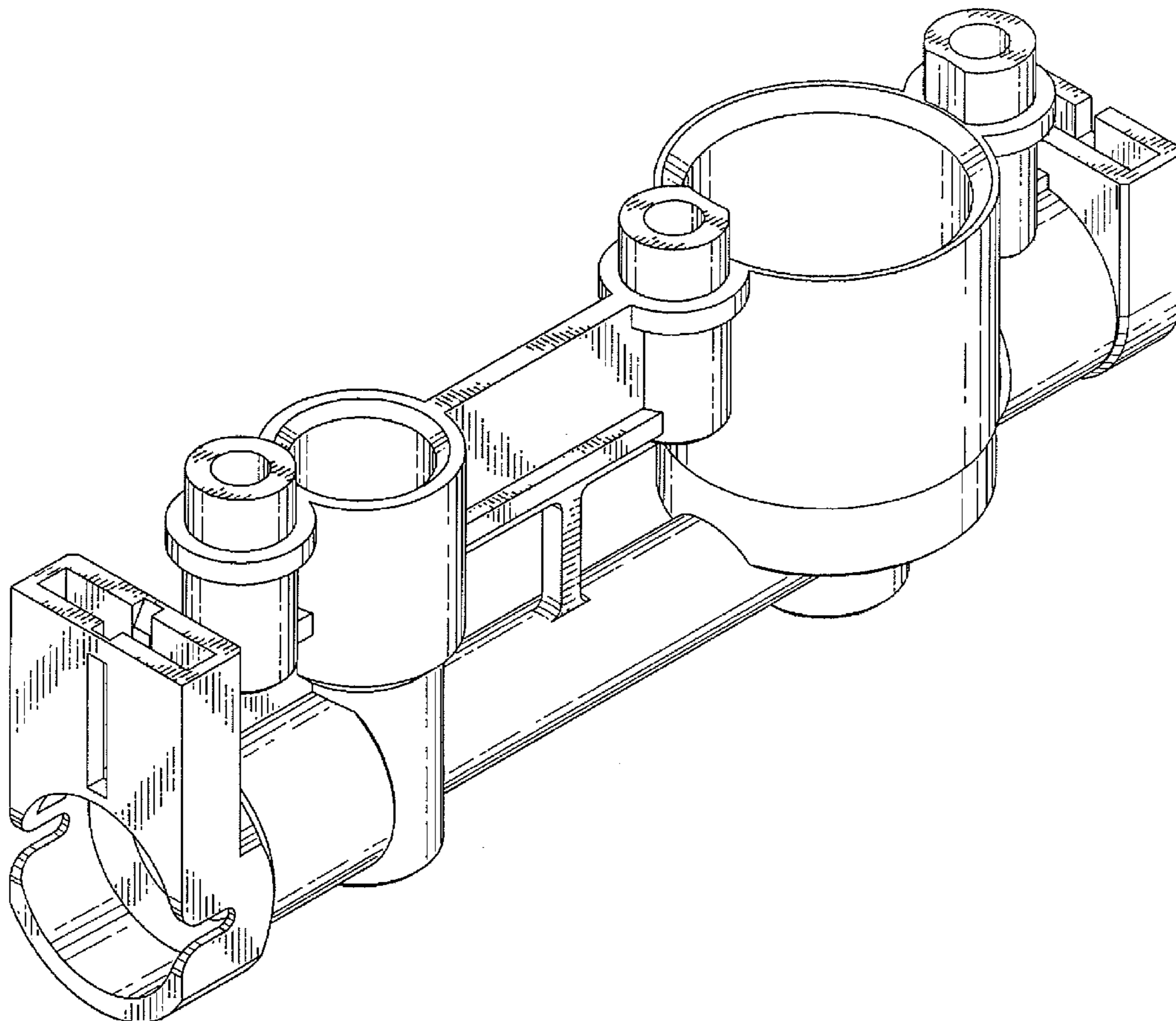
(57) **CLAIM**

The ornamental design for a flow regulator module, as shown and described.

DESCRIPTION

FIG. 1 is a top perspective view of a flow regulator module showing my new design;
FIG. 2 is a bottom perspective view thereof;
FIG. 3 is a top plan view thereof;
FIG. 4 is a bottom plan view thereof;
FIG. 5 is a front elevational view thereof;
FIG. 6 is a rear elevational view thereof;
FIG. 7 is a right side elevational view thereof; and,
FIG. 8 is a left side elevational view thereof.
The broken line showings form no part of the claimed design.

1 Claim, 5 Drawing Sheets



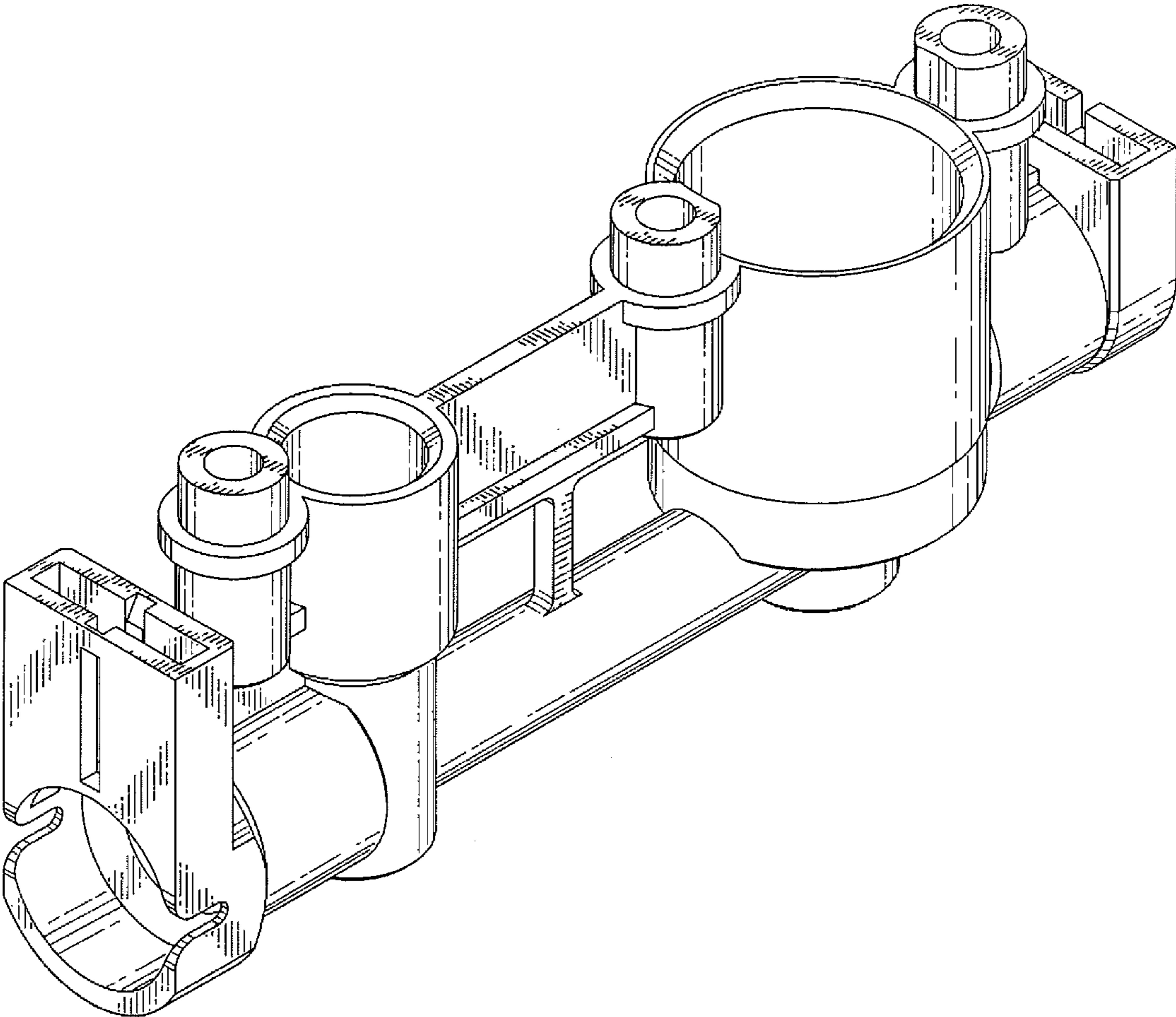


FIG. 1

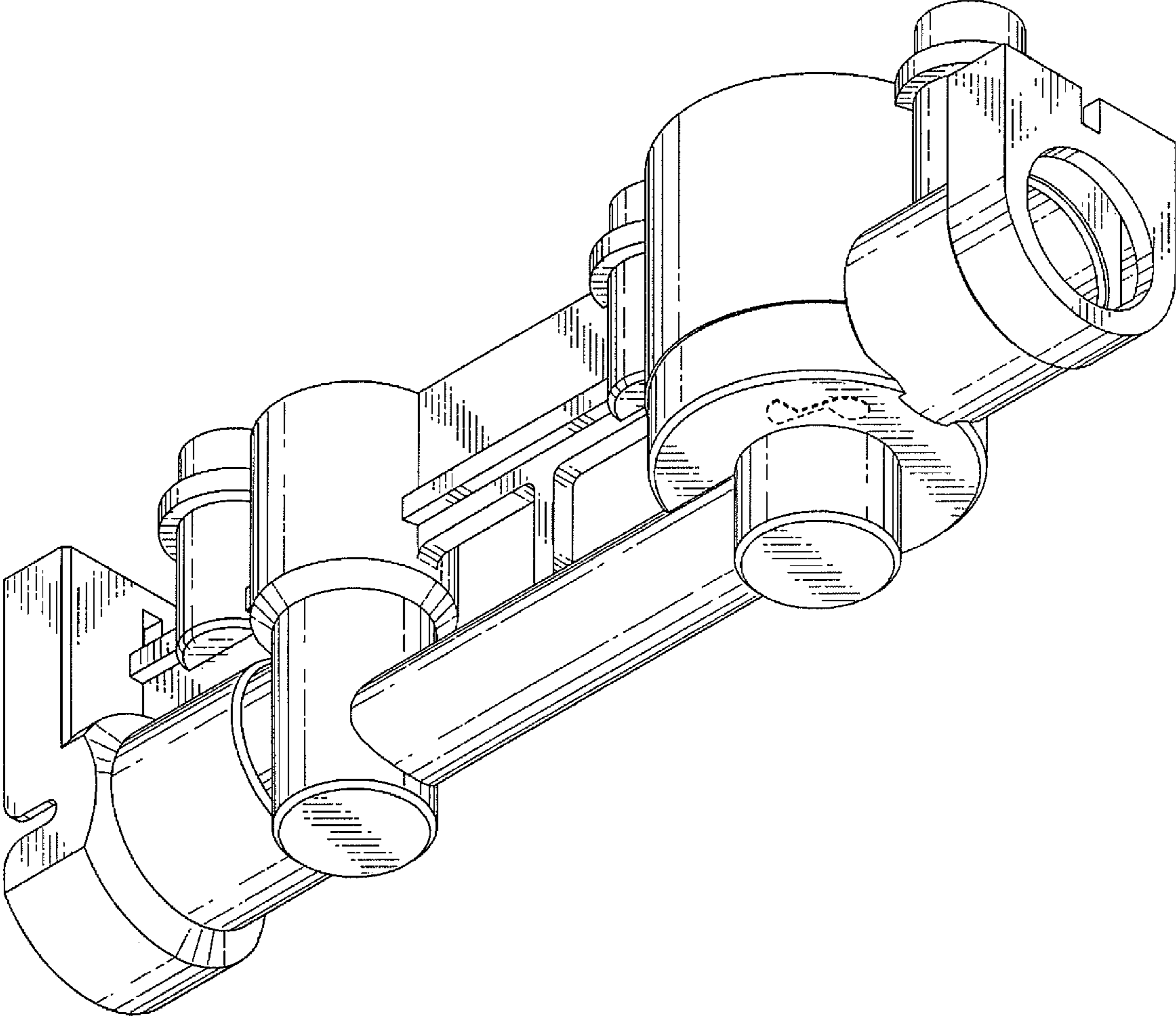


FIG. 2

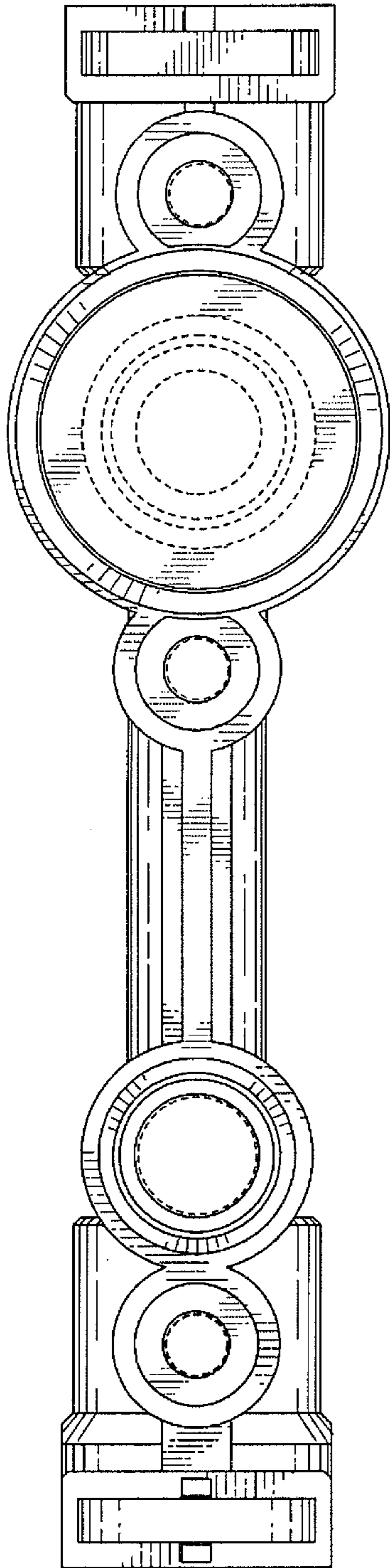


FIG. 3

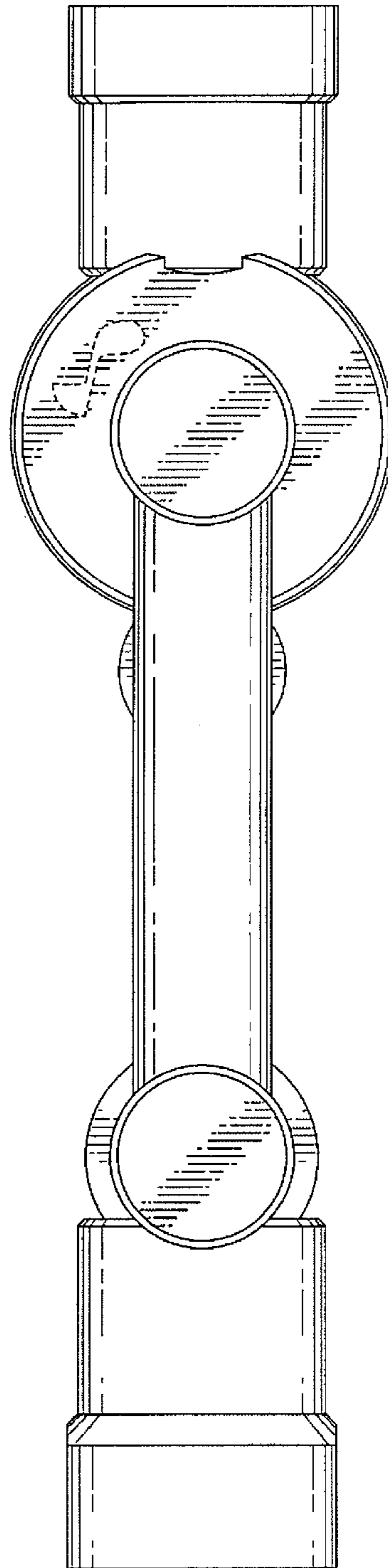


FIG. 4

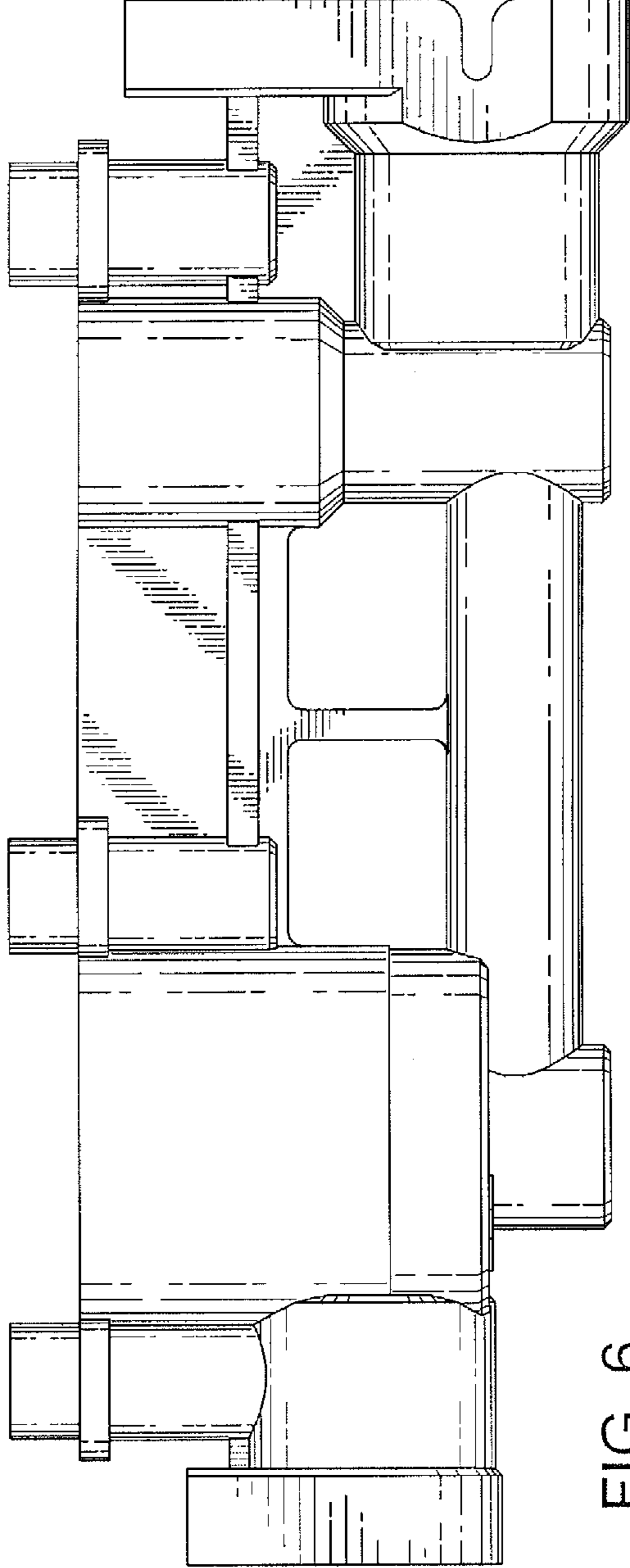
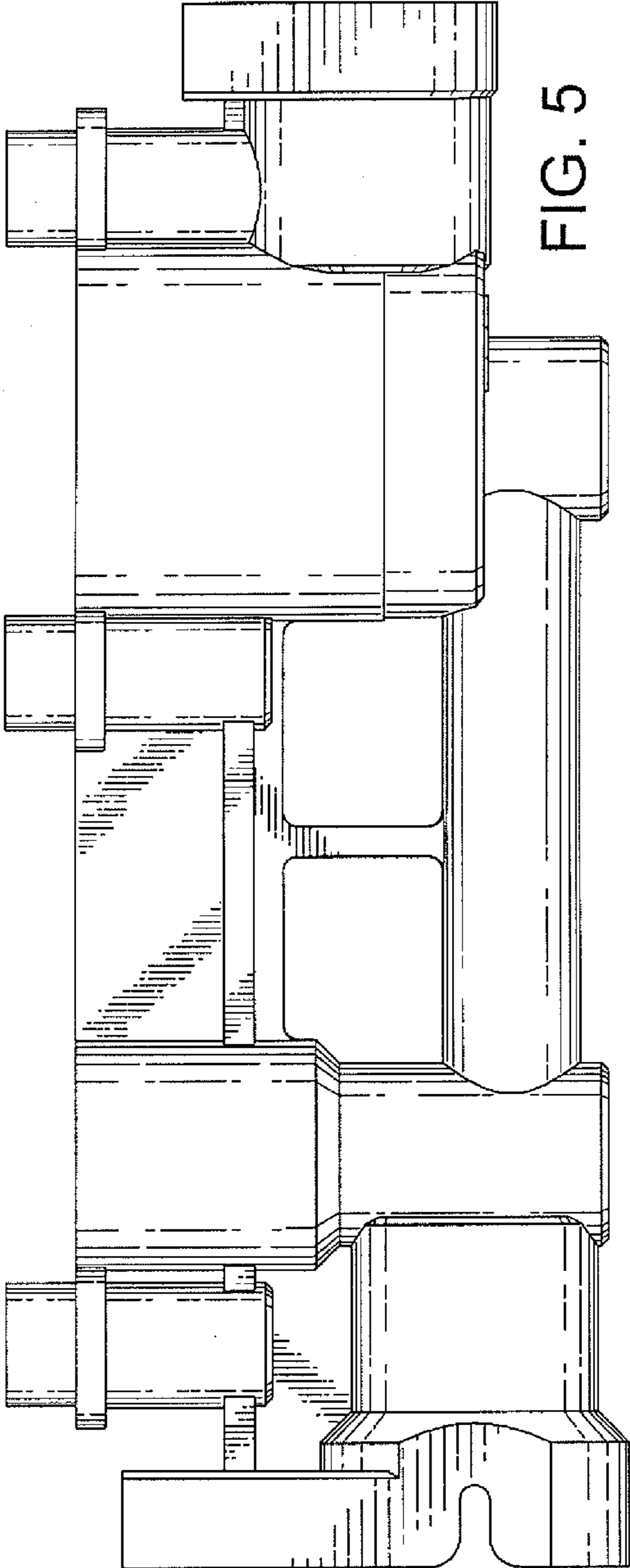


FIG. 5

FIG. 6

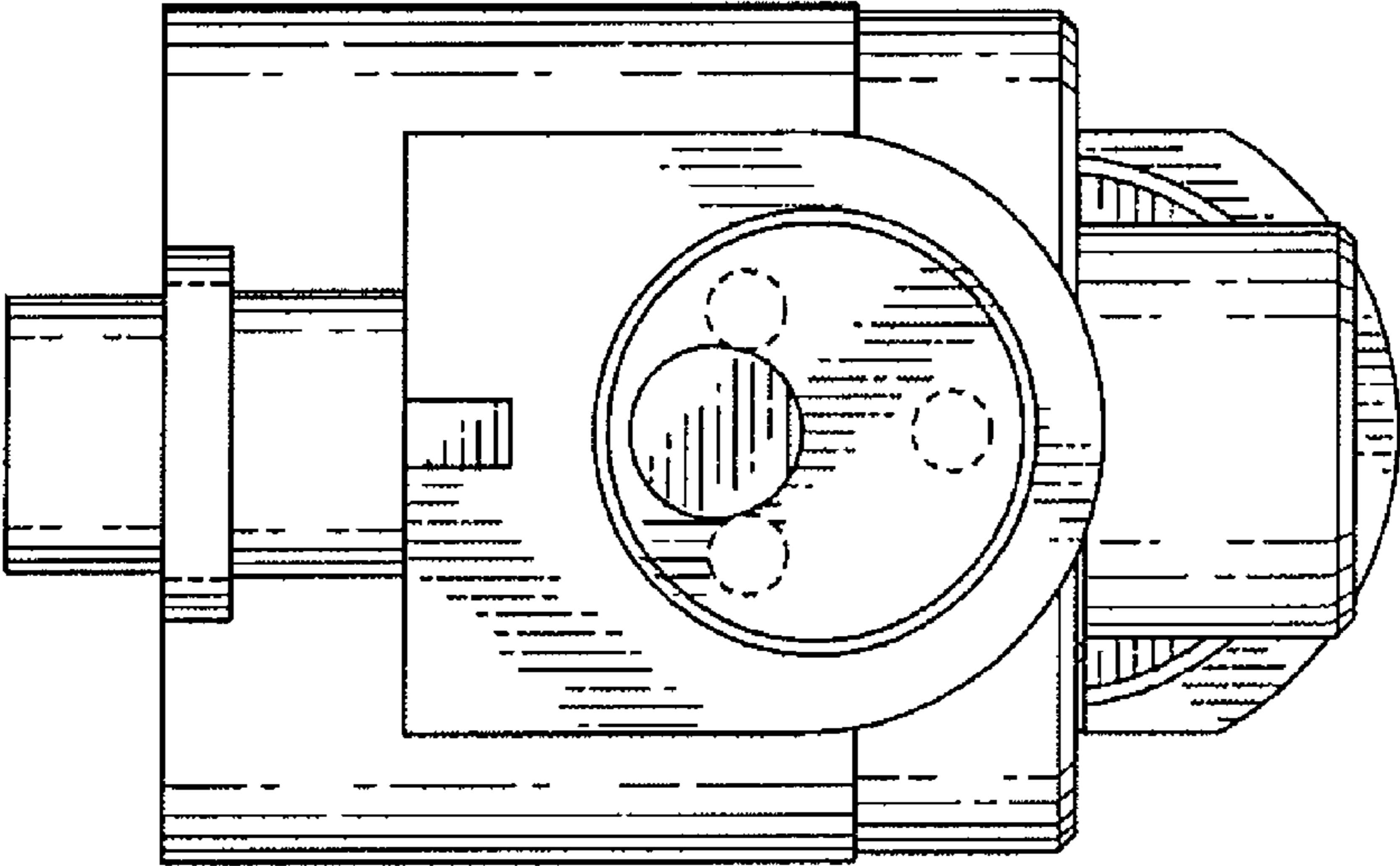


FIG. 8

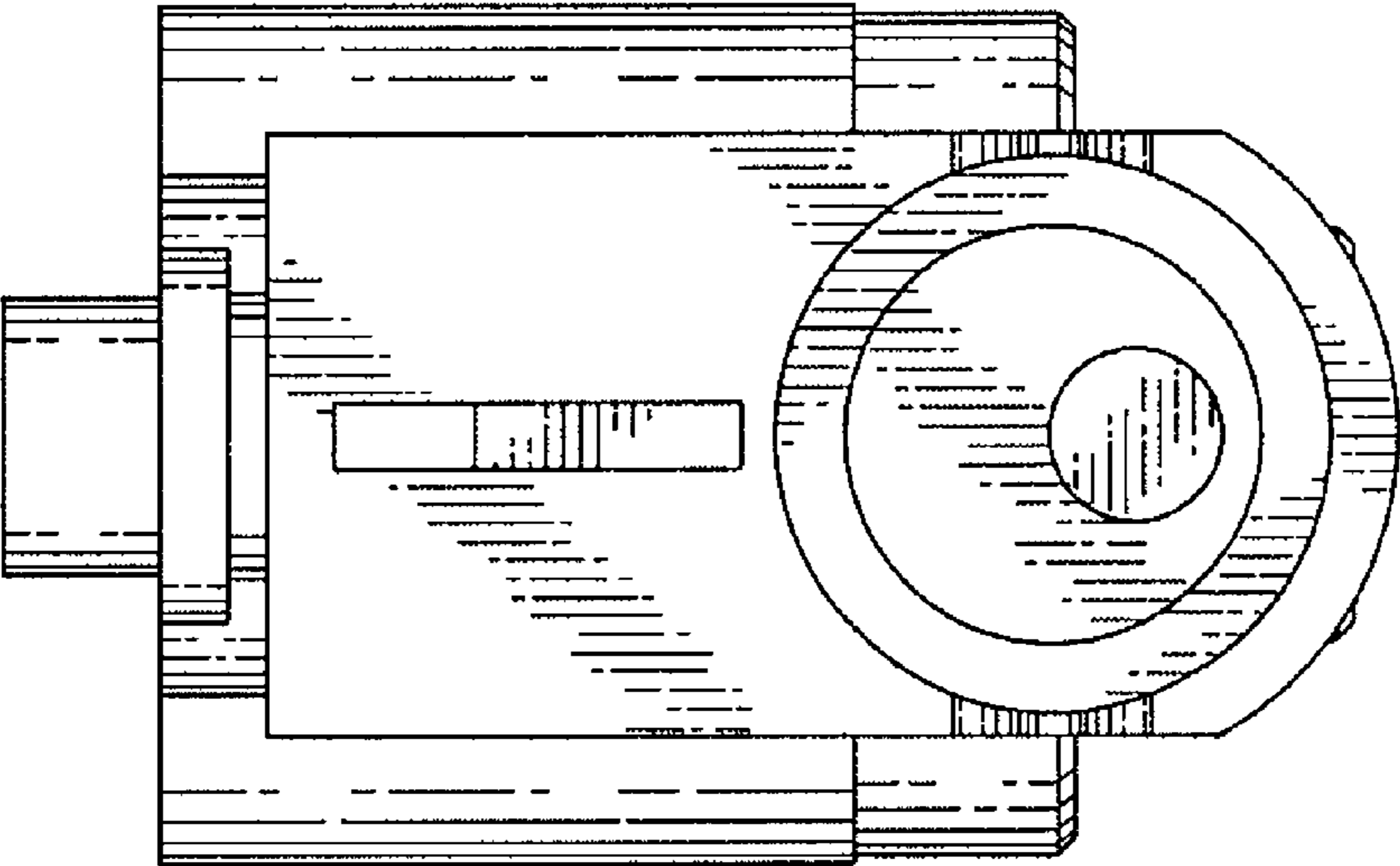


FIG. 7