



US00D648420S

(12) **United States Design Patent**  
**Hecht**

(10) **Patent No.:** **US D648,420 S**

(45) **Date of Patent:** **\*\* Nov. 8, 2011**

(54) **FLOW REGULATOR MODULE**

(75) Inventor: **Thomas R. Hecht**, Winters, CA (US)

(73) Assignee: **Automatic Bar Controls, Inc.**,  
Vacaville, CA (US)

(\*\*) Term: **14 Years**

(21) Appl. No.: **29/380,324**

(22) Filed: **Dec. 2, 2010**

(51) **LOC (9) Cl.** ..... **23-01**

(52) **U.S. Cl.** ..... **D23/233**

(58) **Field of Classification Search** ..... D23/233-237,  
D23/244-249; 137/15.04, 549, 597, 625.29,  
137/625.4, 625.47; 251/62, 63, 63.5, 129.1,  
251/129.16-129.18, 149.1, 214, 309-310  
See application file for complete search history.

(56) **References Cited**

**U.S. PATENT DOCUMENTS**

|              |        |                |       |         |
|--------------|--------|----------------|-------|---------|
| D442,260 S * | 5/2001 | Marzec et al.  | ..... | D23/233 |
| D476,718 S * | 7/2003 | Ferrer Beltran | ..... | D23/209 |
| D478,965 S * | 8/2003 | Ferrer Beltran | ..... | D23/233 |
| D502,762 S * | 3/2005 | Kriegshauser   | ..... | D23/233 |
| D504,715 S * | 5/2005 | Hagihara       | ..... | D23/235 |

|              |        |                |       |         |
|--------------|--------|----------------|-------|---------|
| D538,889 S * | 3/2007 | Marstorp       | ..... | D23/233 |
| D539,387 S * | 3/2007 | Donovan et al. | ..... | D23/233 |
| D559,955 S * | 1/2008 | Donovan et al. | ..... | D23/233 |

\* cited by examiner

*Primary Examiner* — Cathron C. Brooks

*Assistant Examiner* — Maurice Stevens

(74) *Attorney, Agent, or Firm* — Kilpatrick Townsend & Stockton LLP

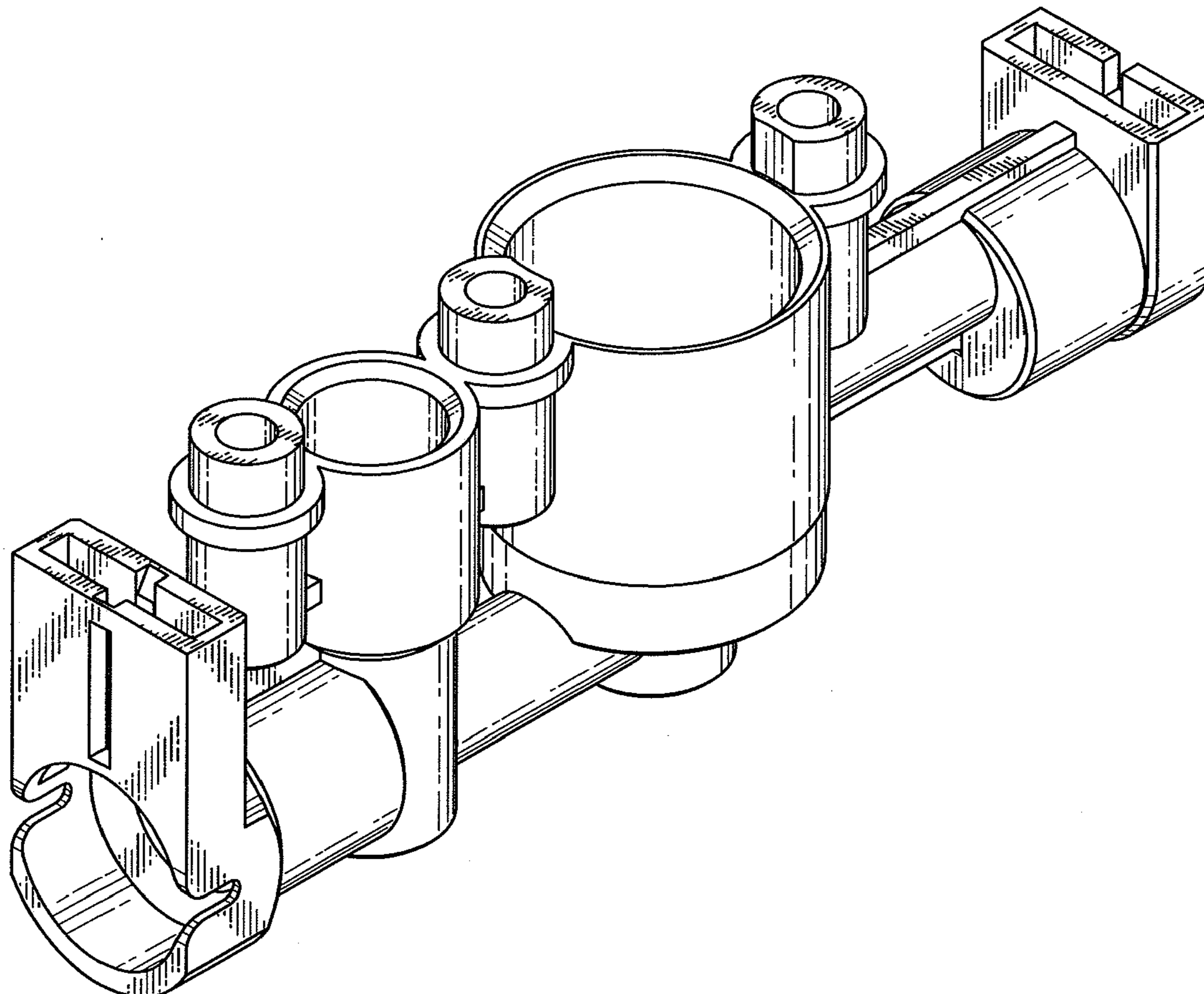
(57) **CLAIM**

The ornamental design for a flow regulator module, as shown and described.

**DESCRIPTION**

FIG. 1 is a top perspective view of a flow regulator module showing my new design;  
FIG. 2 is a bottom perspective view thereof;  
FIG. 3 is a top plan view thereof;  
FIG. 4 is a bottom plan view thereof;  
FIG. 5 is a front elevational view thereof;  
FIG. 6 is a rear elevational view thereof;  
FIG. 7 is a right side elevational view thereof; and,  
FIG. 8 is a left side elevational view thereof.  
The broken line showings form no part of the claimed design.

**1 Claim, 5 Drawing Sheets**



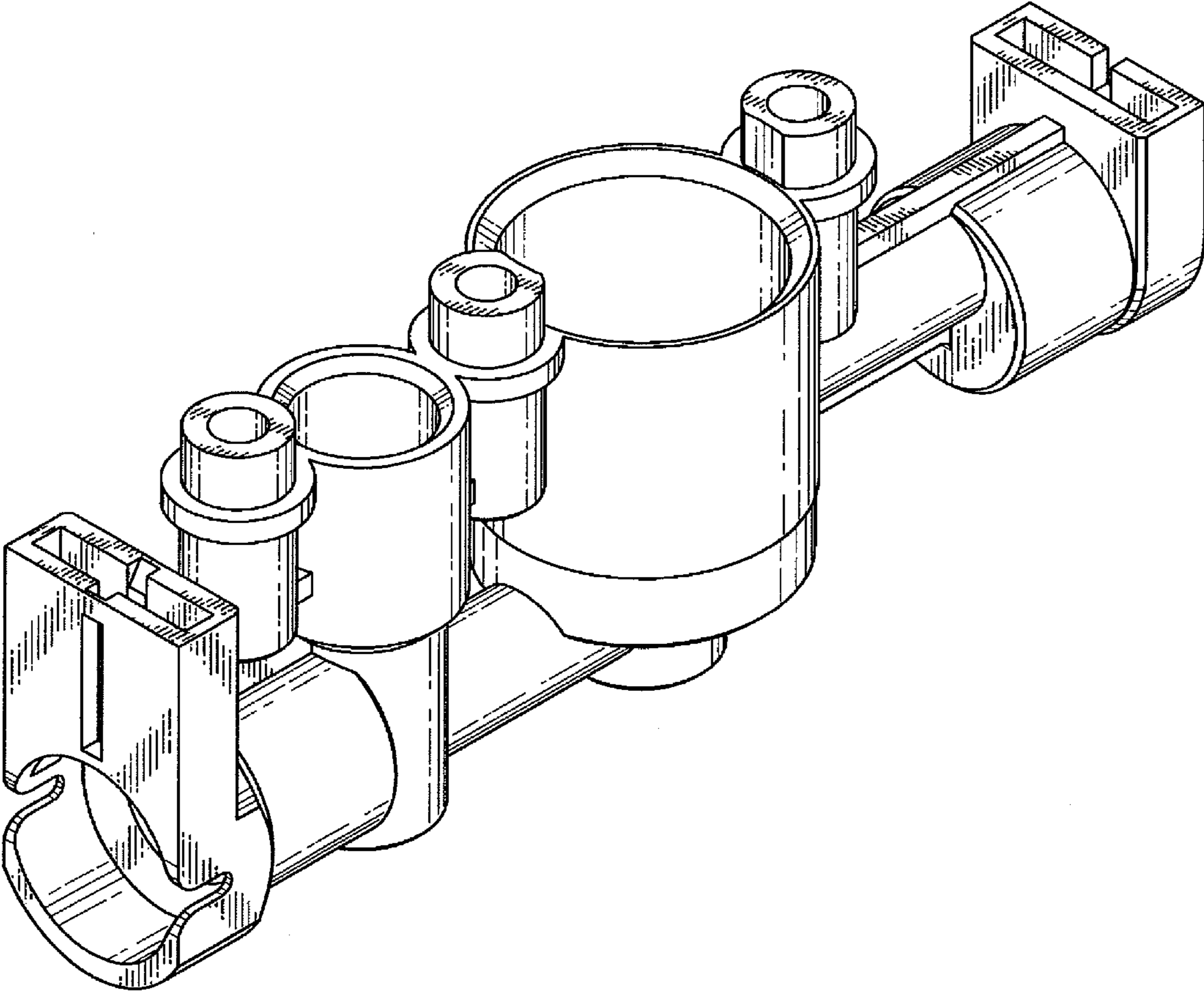


FIG. 1

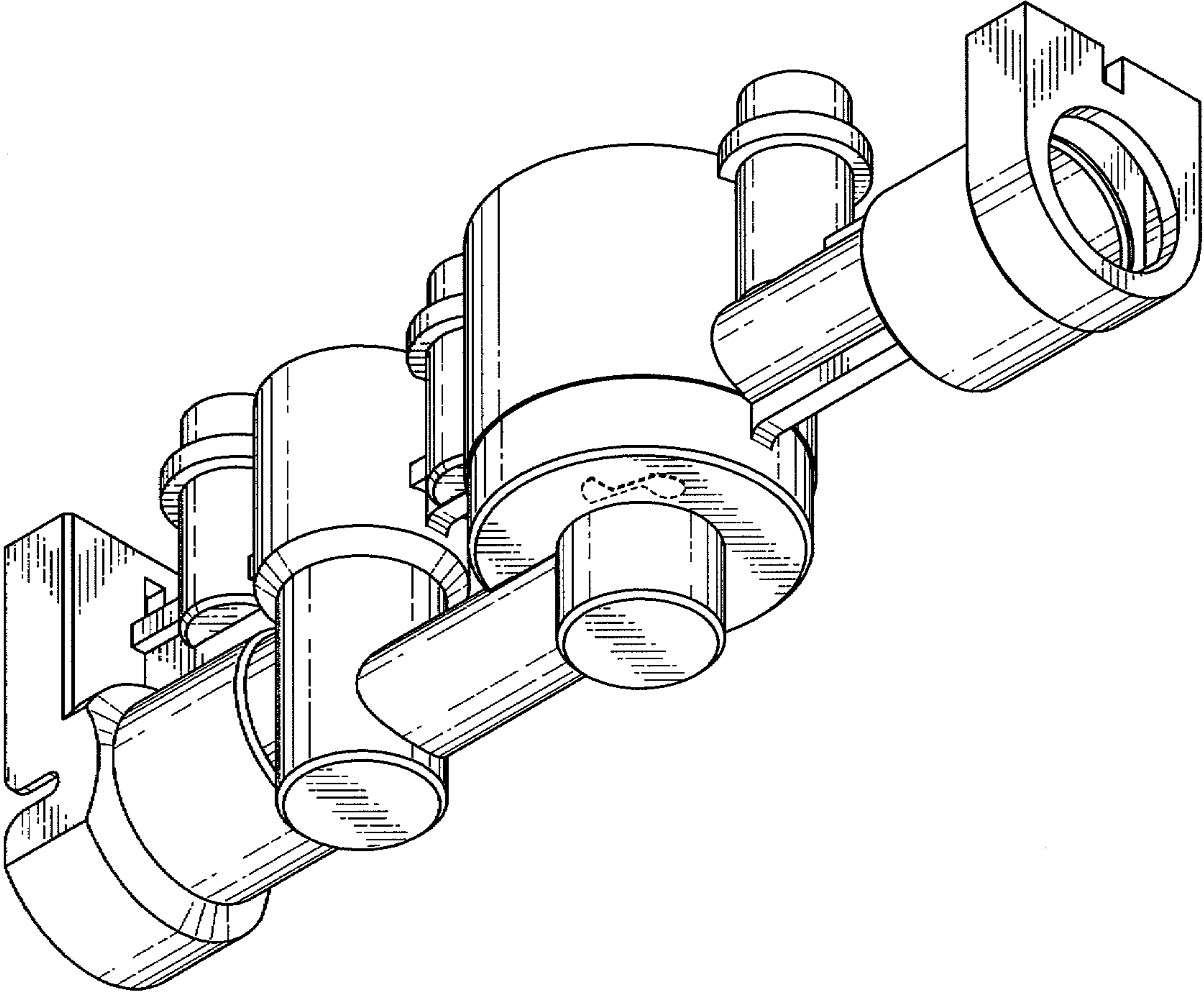


FIG. 2

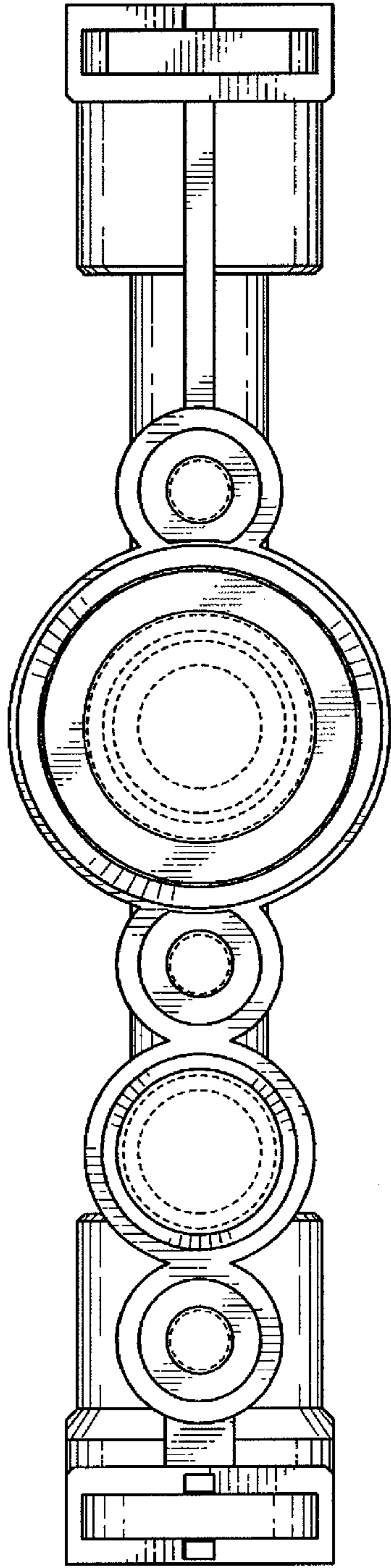


FIG. 3

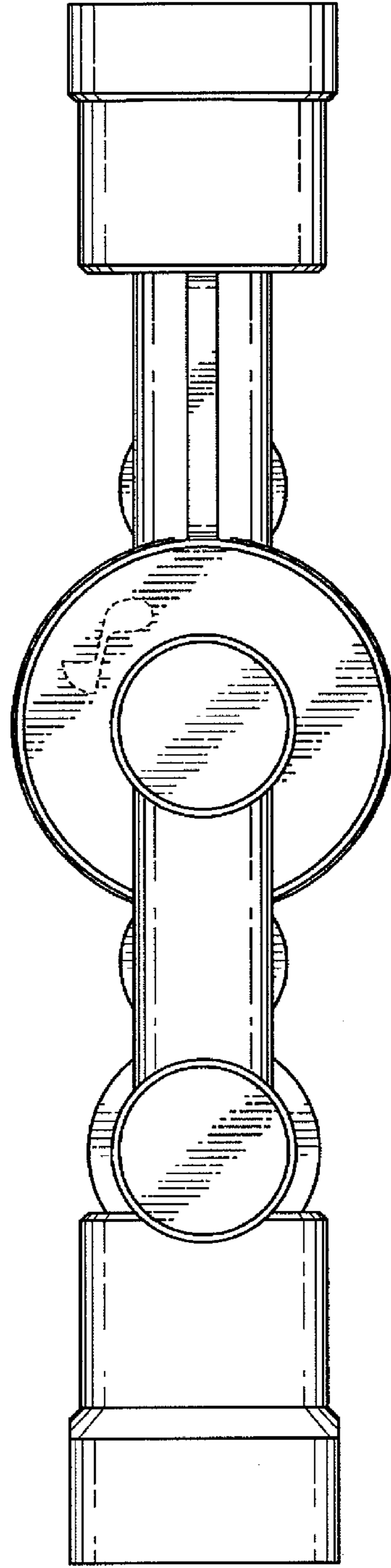


FIG. 4



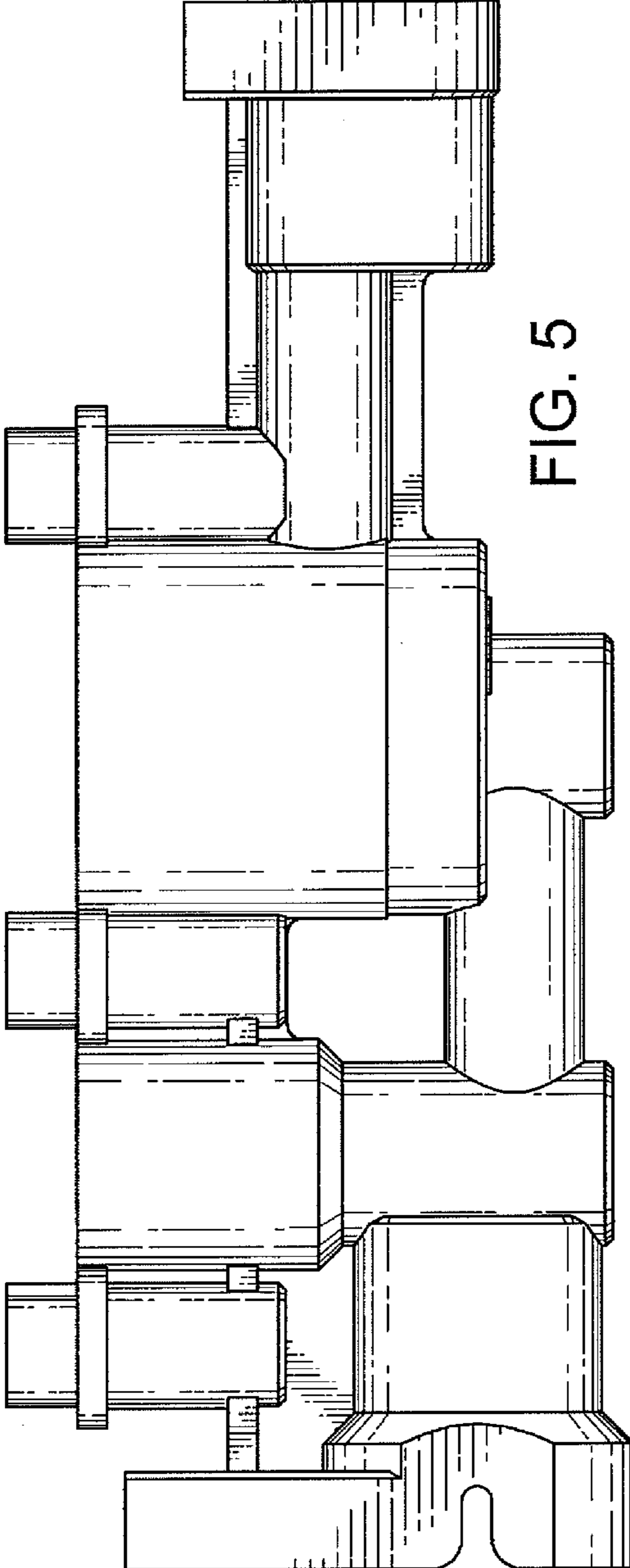


FIG. 5

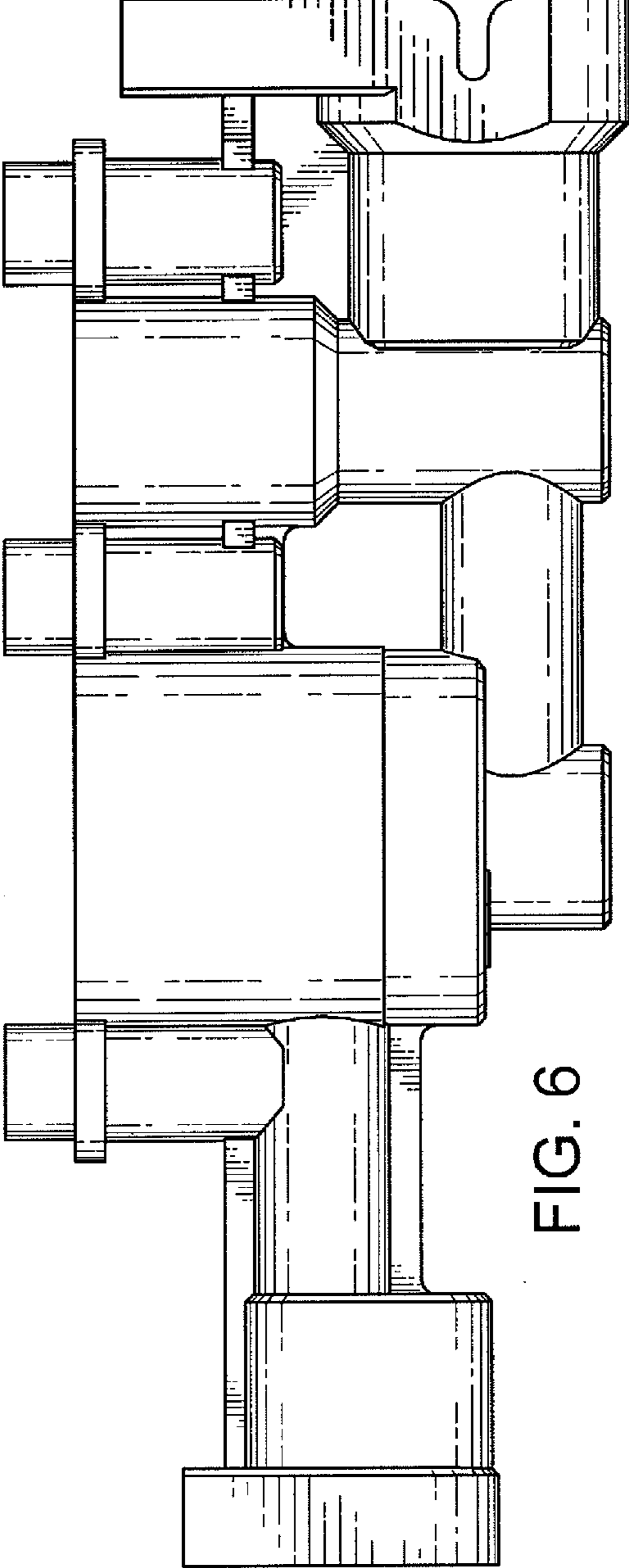


FIG. 6

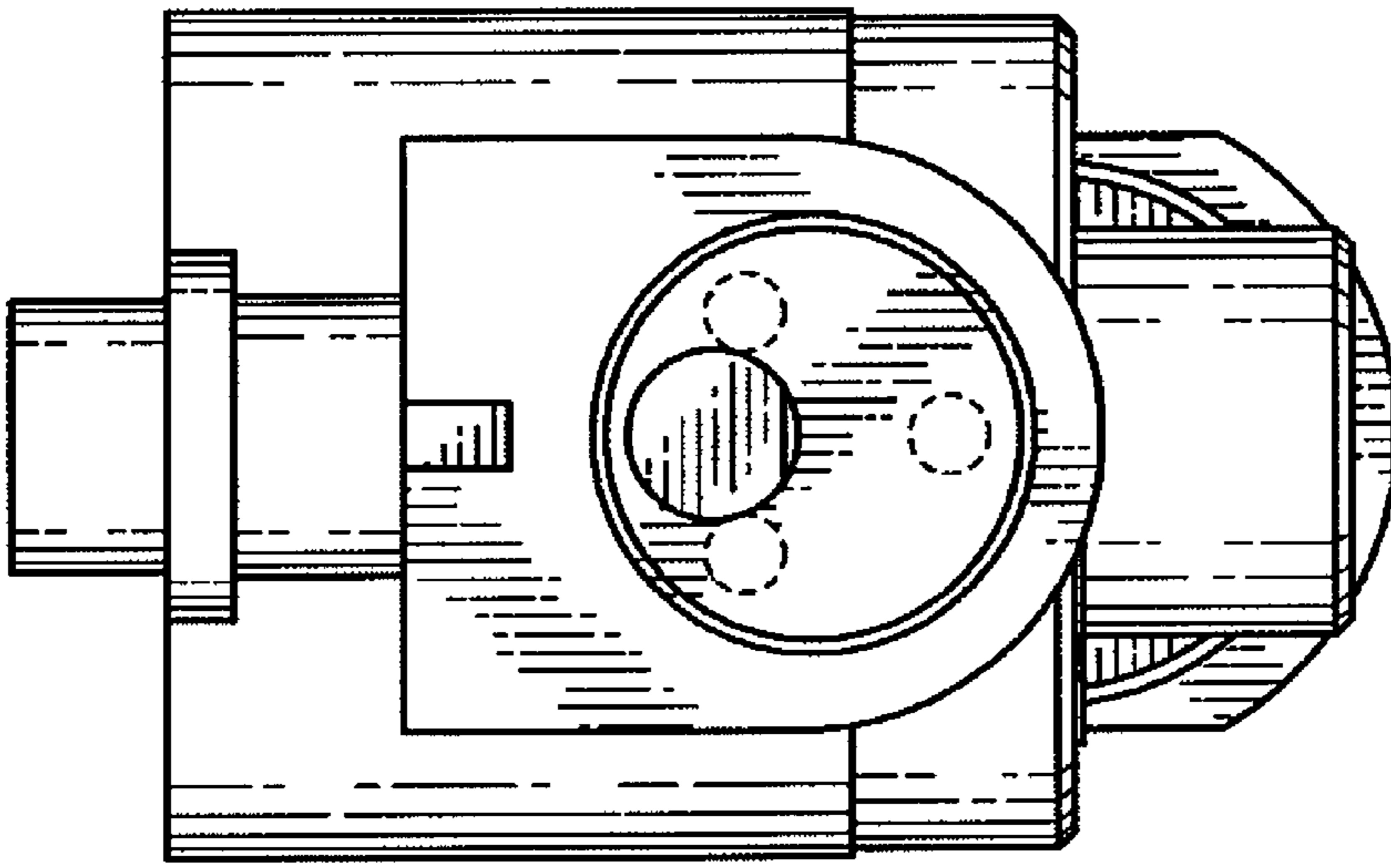


FIG. 8

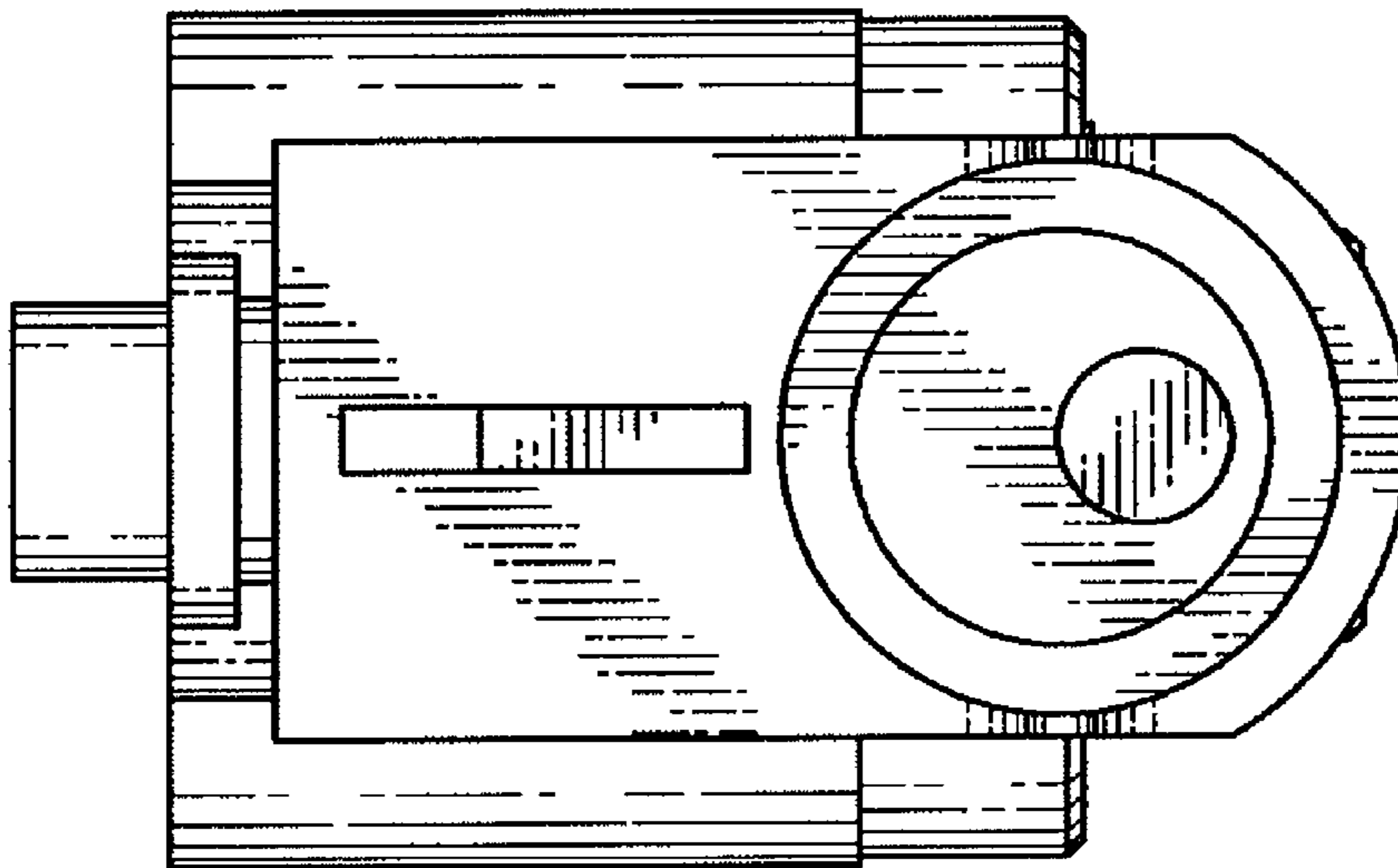


FIG. 7