



US00D648417S

(12) **United States Design Patent**
Varini

(10) **Patent No.:** **US D648,417 S**

(45) **Date of Patent:** **** Nov. 8, 2011**

(54) **FLUID DISTRIBUTION NOZZLE**

(75) Inventor: **Otto Varini**, Suzzara (IT)

(73) Assignee: **Piusi S.p.A.**, Suzzara (IT)

(**) Term: **14 Years**

(21) Appl. No.: **29/371,368**

(22) Filed: **Jan. 18, 2011**

(30) **Foreign Application Priority Data**

Jul. 23, 2010 (EM) 001226492

(51) **LOC (9) Cl.** **23-01**

(52) **U.S. Cl.** **D23/226**

(58) **Field of Classification Search** D23/213,
D23/223, 226; 222/566; 141/377-379, 392

See application file for complete search history.

(56) **References Cited**

U.S. PATENT DOCUMENTS

D206,928 S *	2/1967	Noyes et al.	D23/226
D219,214 S *	11/1970	Eklund	D23/226
D223,915 S *	6/1972	Brown et al.	D23/226
D355,704 S *	2/1995	Simpson et al.	D23/226
D359,100 S *	6/1995	Dotson et al.	D23/223
5,860,462 A *	1/1999	Alvern et al.	141/392

5,862,617 A *	1/1999	Alvern	40/661.12
7,017,630 B2 *	3/2006	Dikken	141/392
7,234,614 B1 *	6/2007	Knight et al.	222/566

* cited by examiner

Primary Examiner — Robin V Webster

(74) *Attorney, Agent, or Firm* — Modiano & Associati;
Albert Josif; Daniel O’Byrne

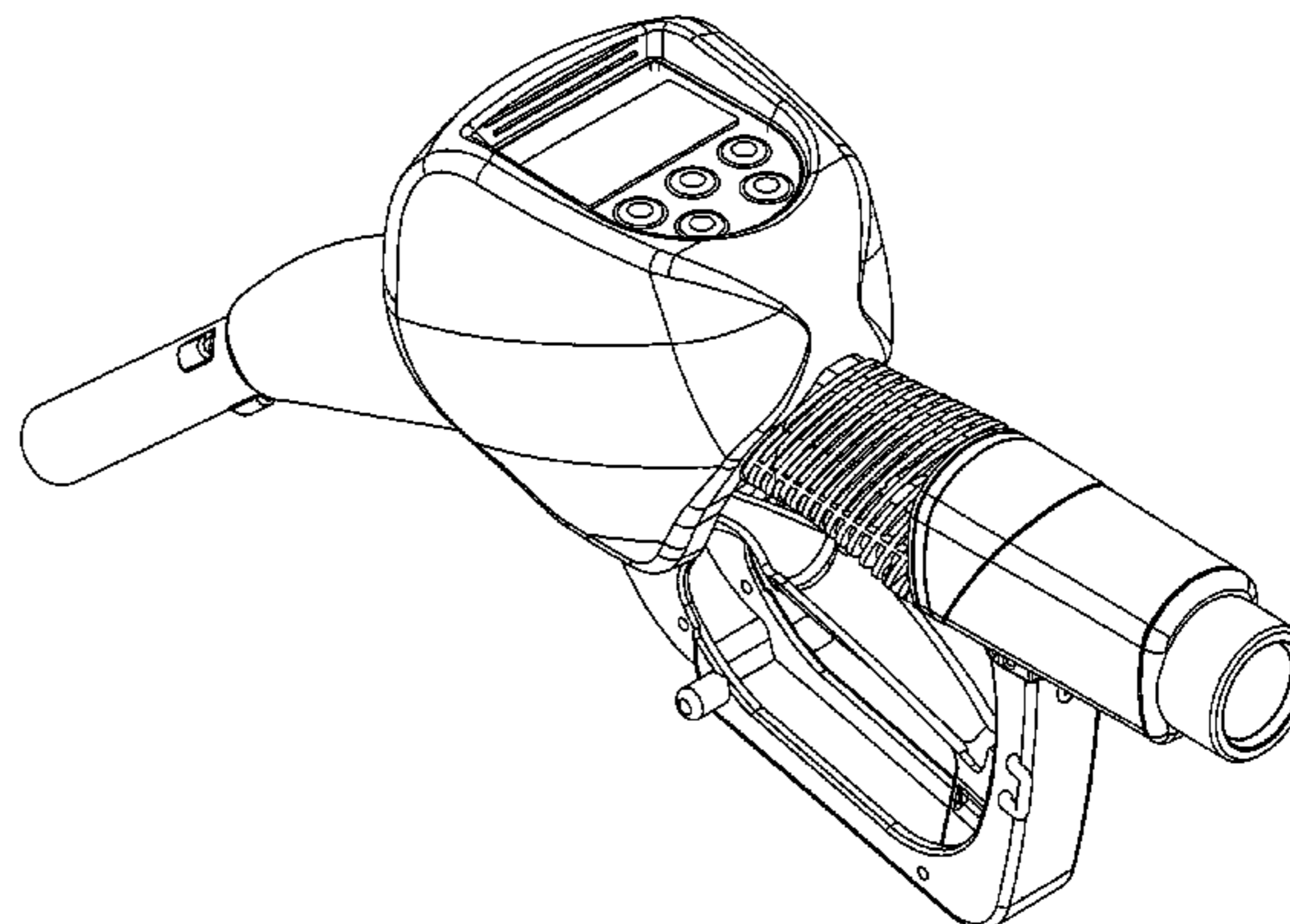
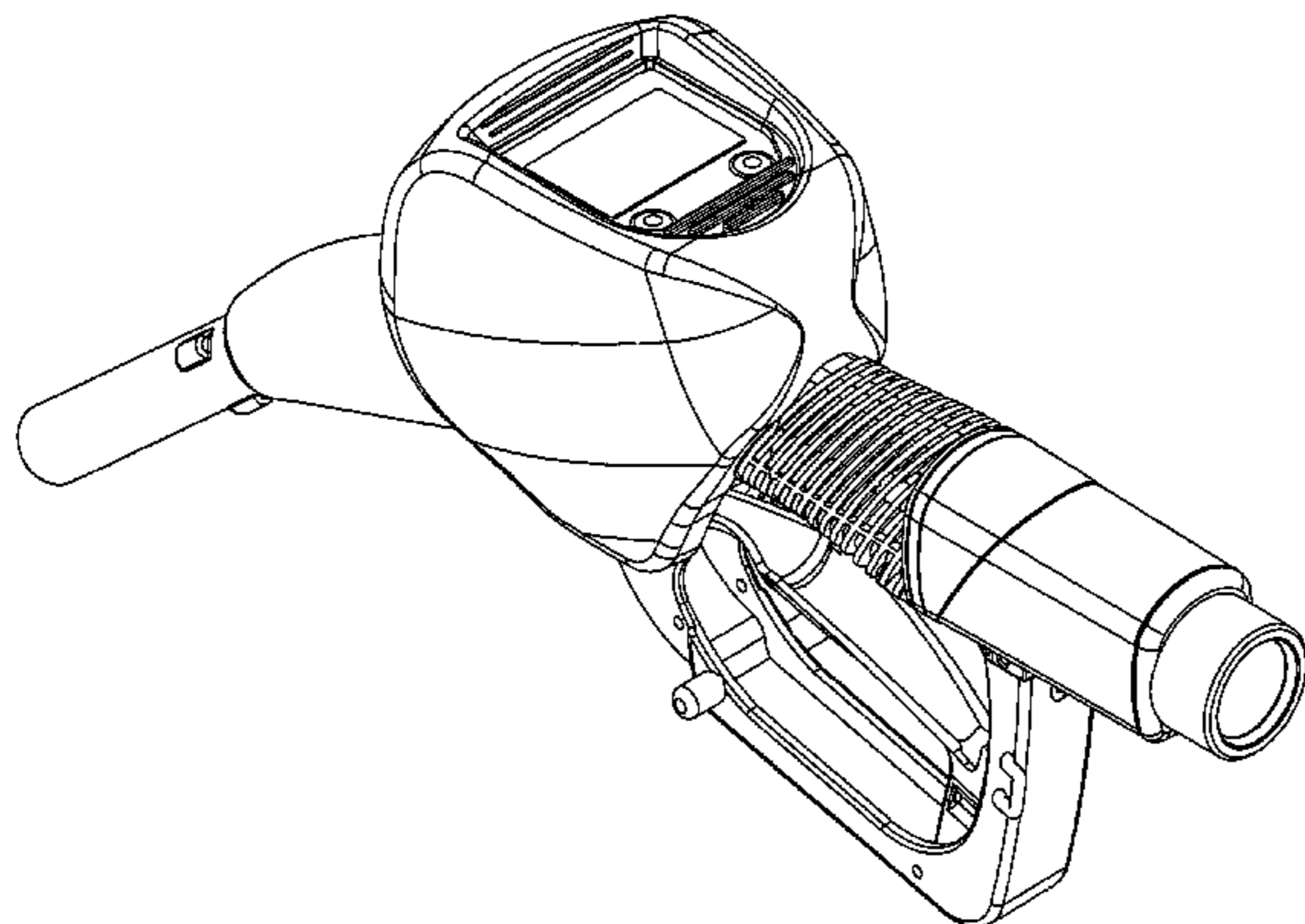
(57) **CLAIM**

The ornamental design for the “fluid distribution nozzle”, as shown and described.

DESCRIPTION

FIG. 1 is a perspective view of the nozzle from the rear;
 FIG. 2 is a front elevation view thereof;
 FIG. 3 is a rear elevation view thereof;
 FIG. 4 is a right side elevation view thereof;
 FIG. 5 is a left side elevation view thereof;
 FIG. 6 is a plan view thereof, taken from above; and,
 FIG. 7 is plan view thereof, taken from below.
 FIG. 8 is a perspective view of the nozzle from the rear;
 FIG. 9 is a front elevation view thereof;
 FIG. 10 is a rear elevation view thereof;
 FIG. 11 is a right side elevation view thereof;
 FIG. 12 is a left side elevation view thereof;
 FIG. 13 is a plan view thereof, taken from above; and,
 FIG. 14 is plan view thereof, taken from below.

1 Claim, 10 Drawing Sheets



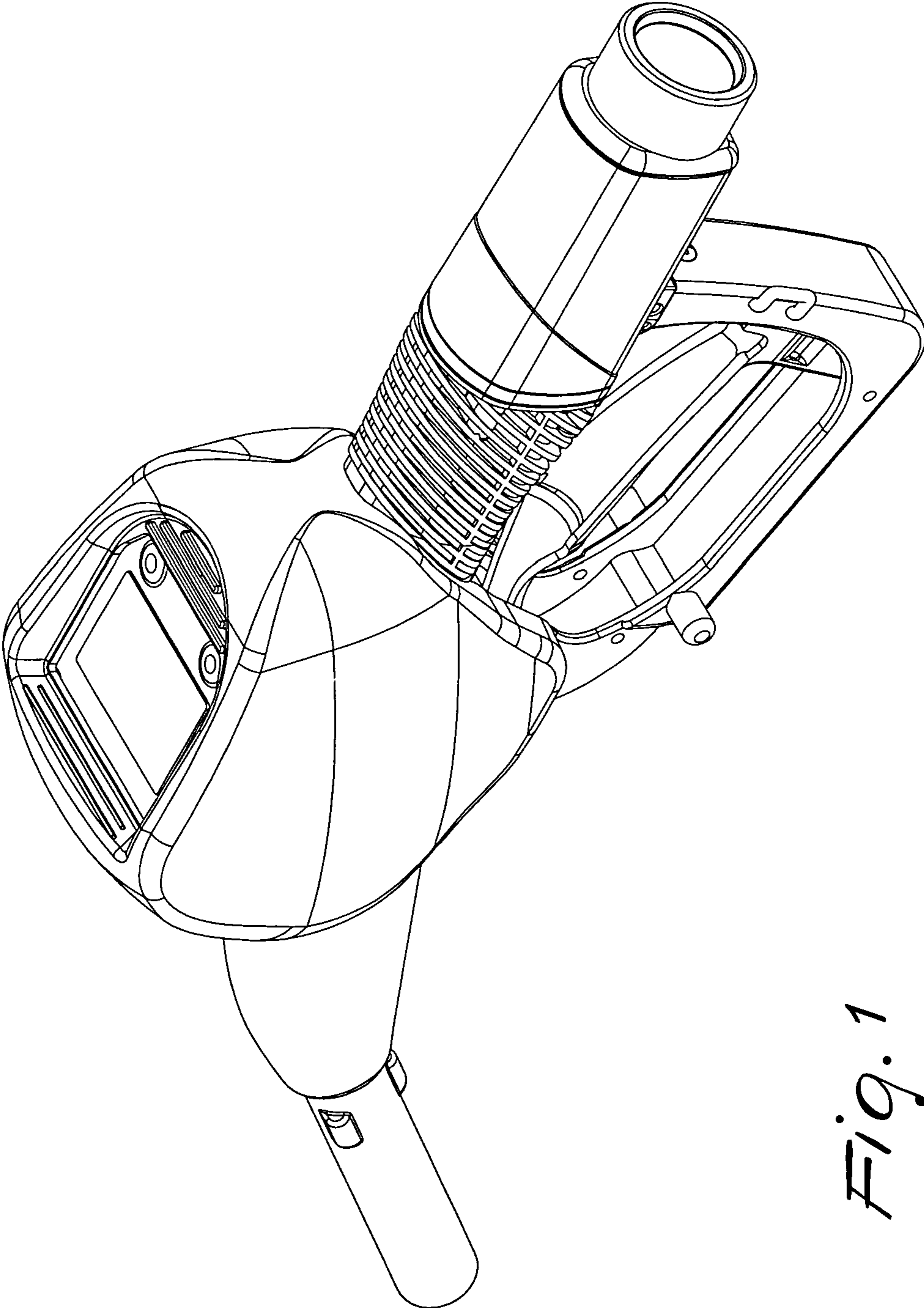


Fig. 1

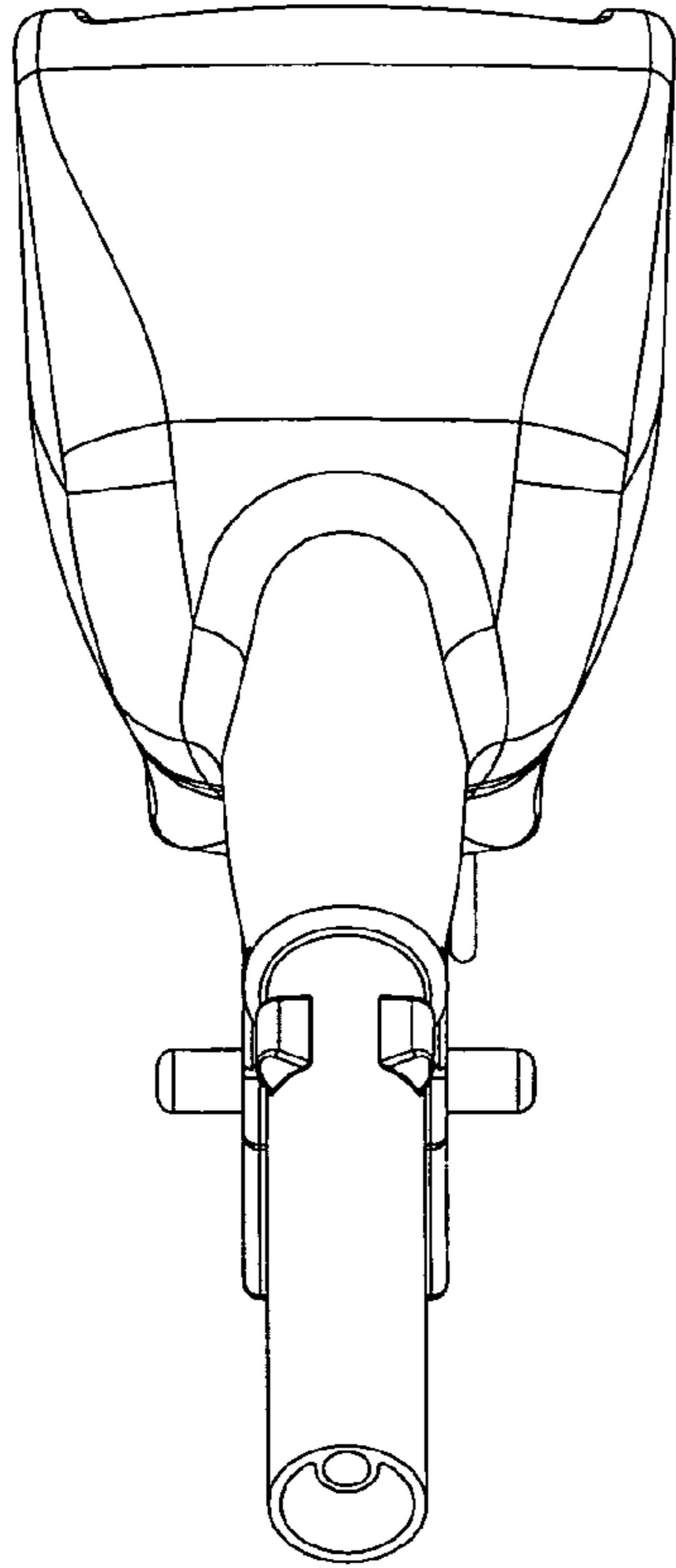


Fig. 2

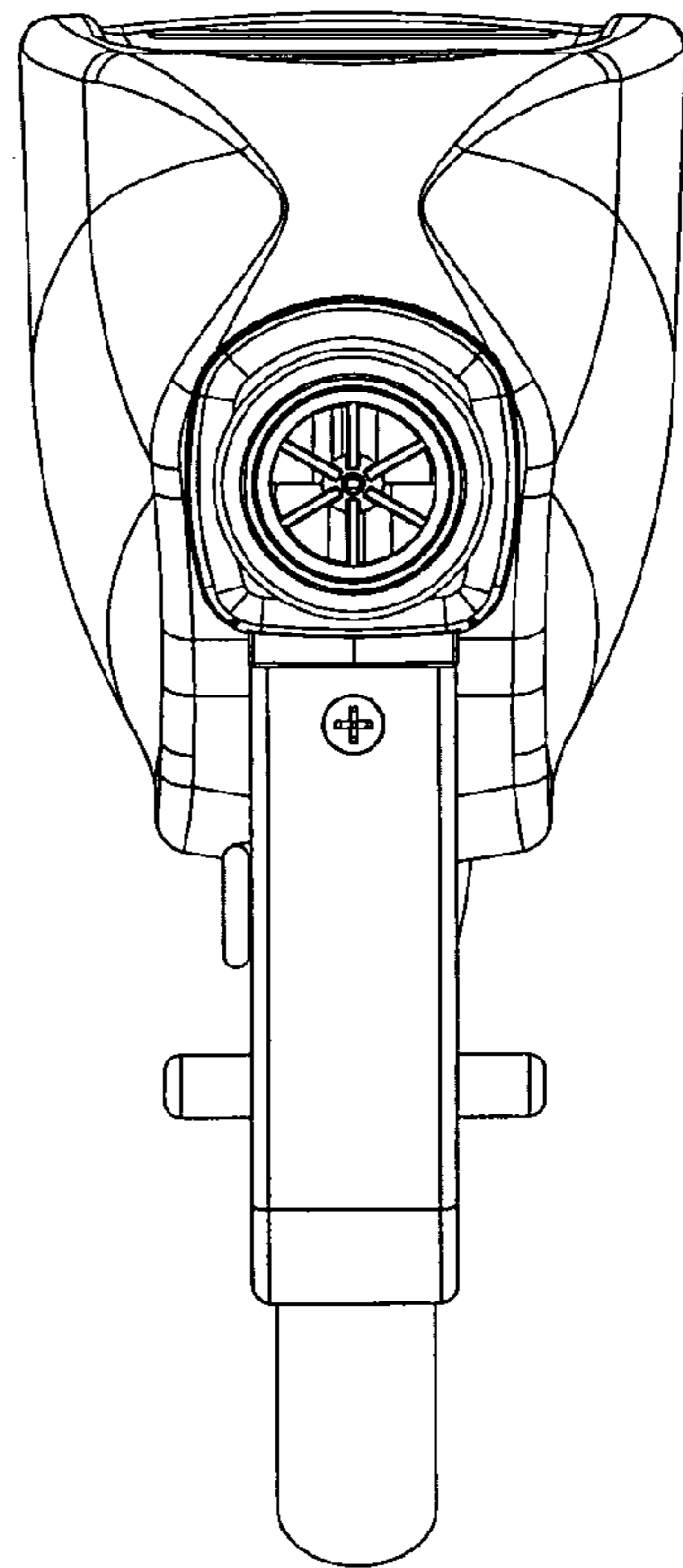


Fig. 3

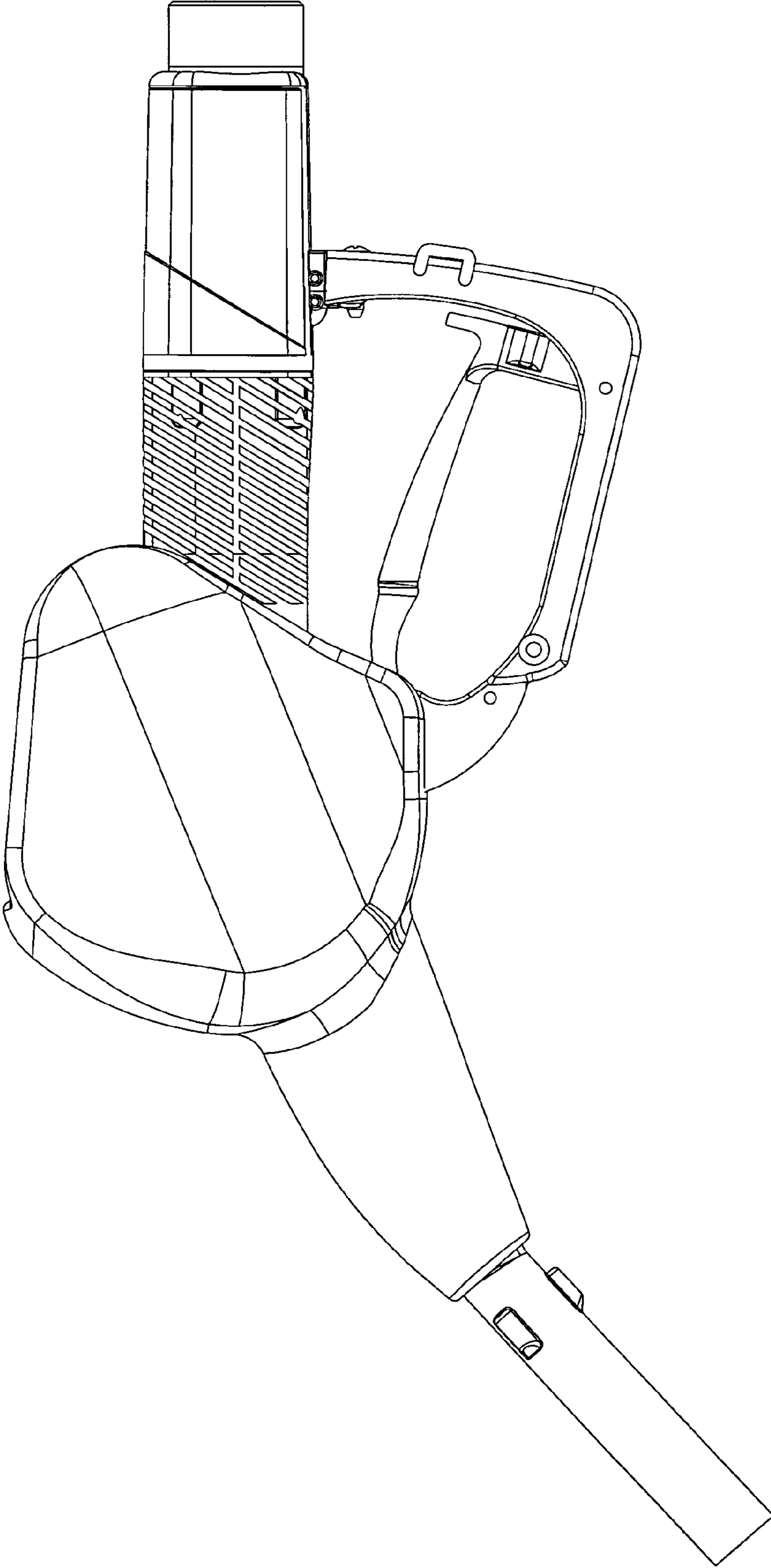


Fig. 4

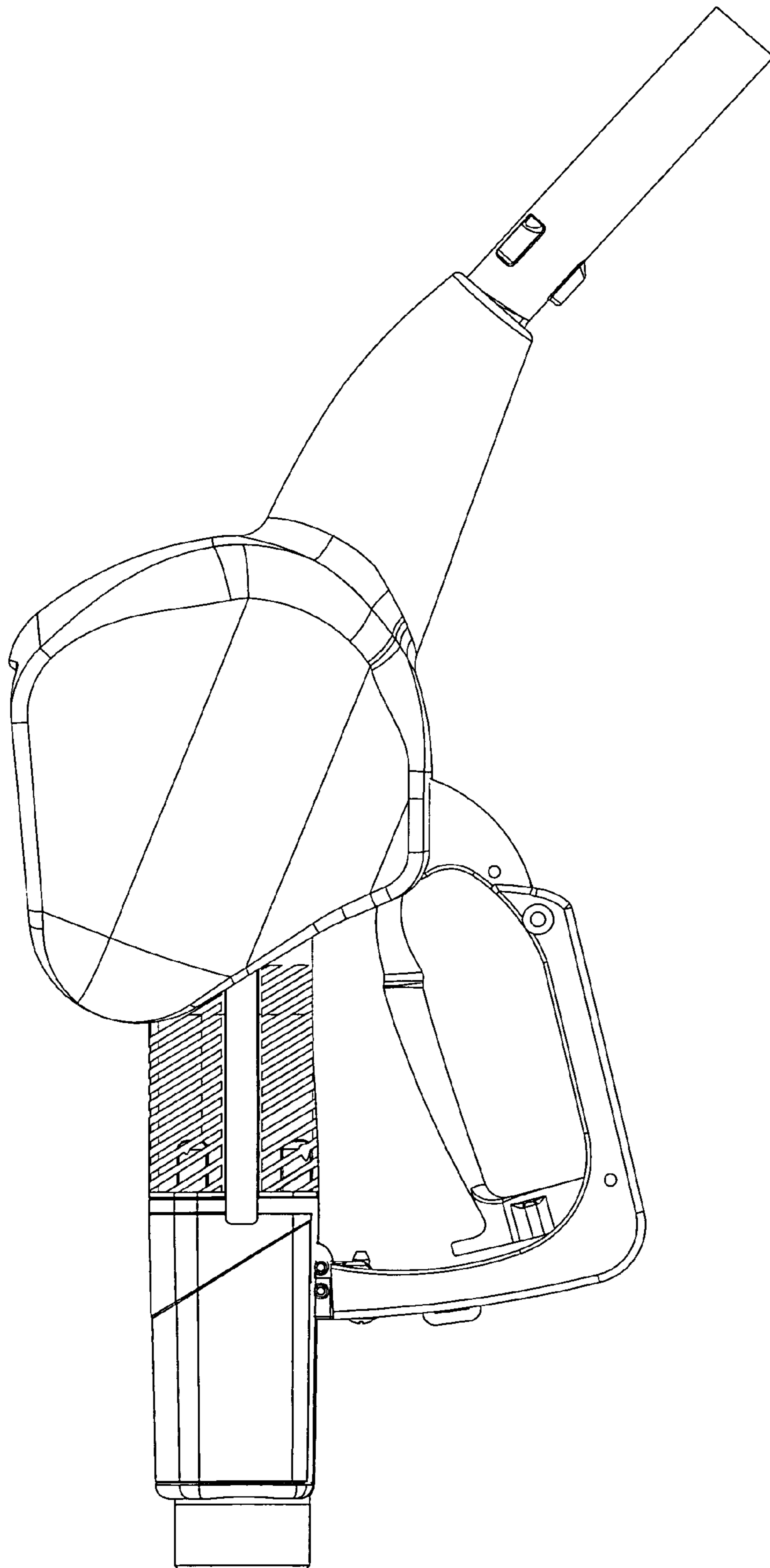


Fig. 5

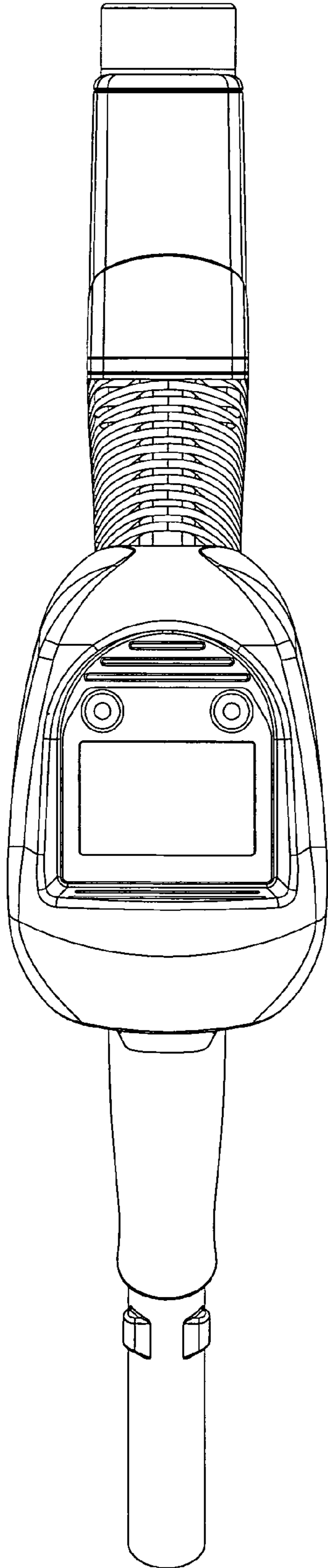


Fig. 6

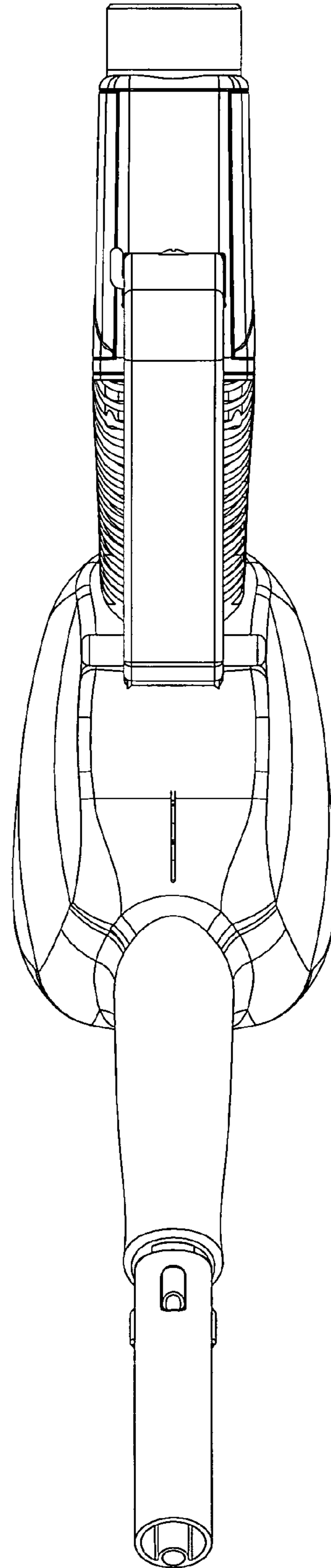


Fig. 7

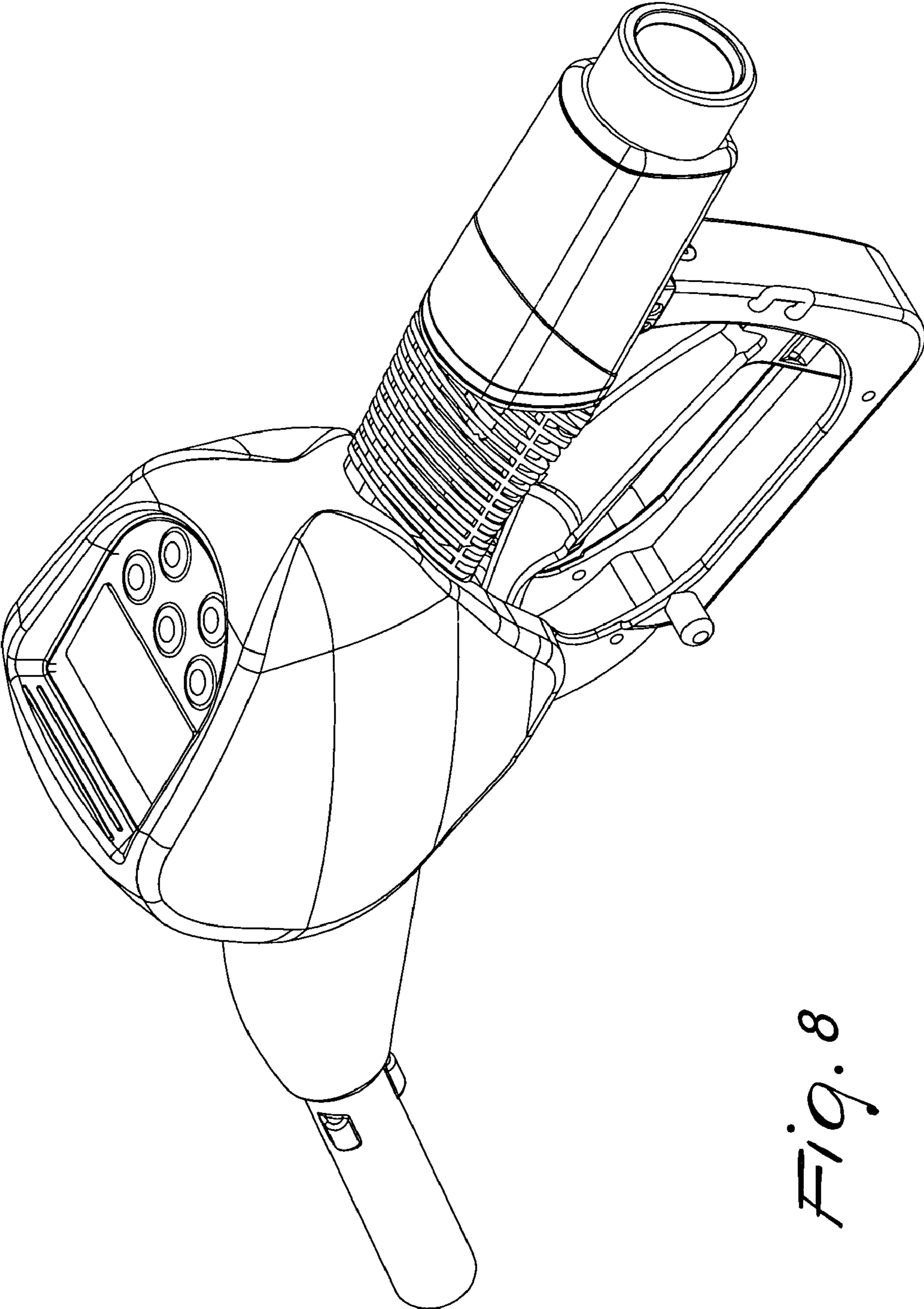


Fig. 8

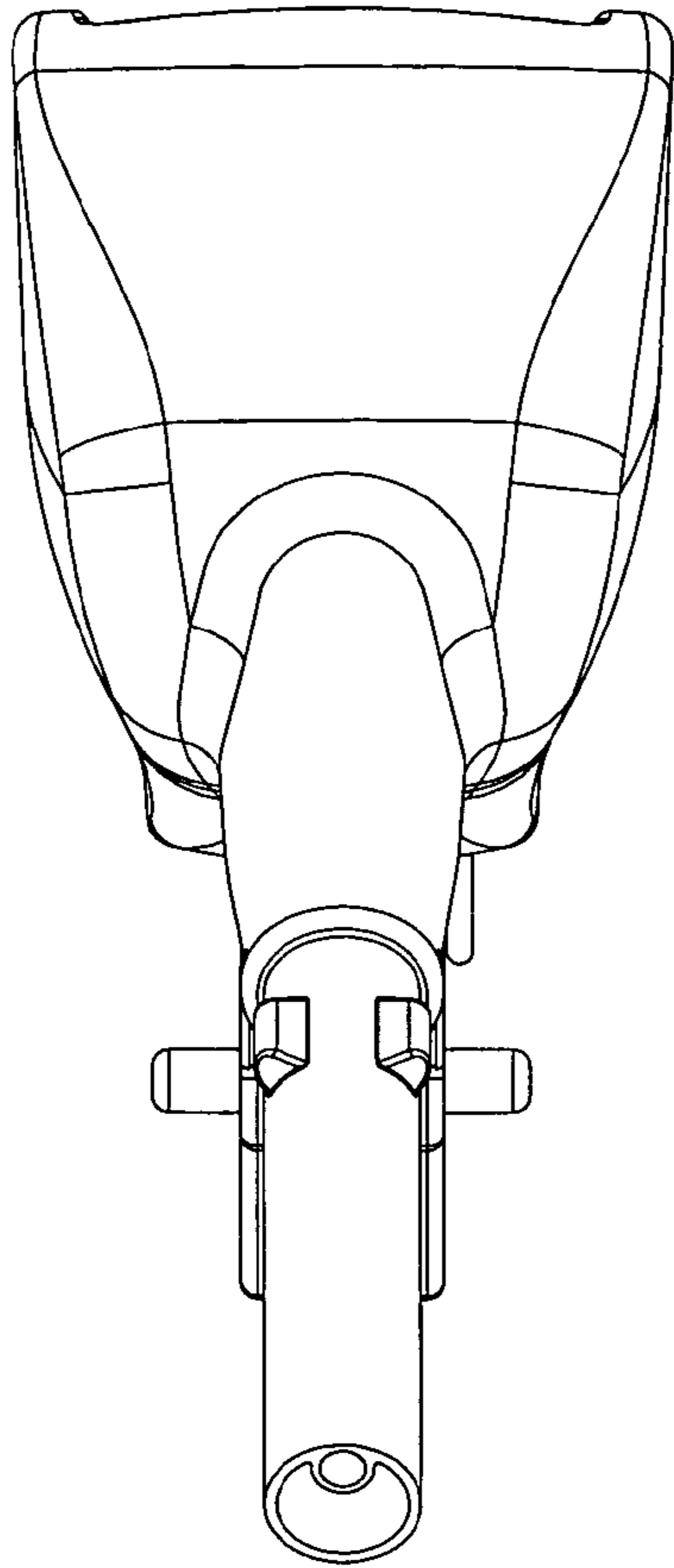


Fig. 9

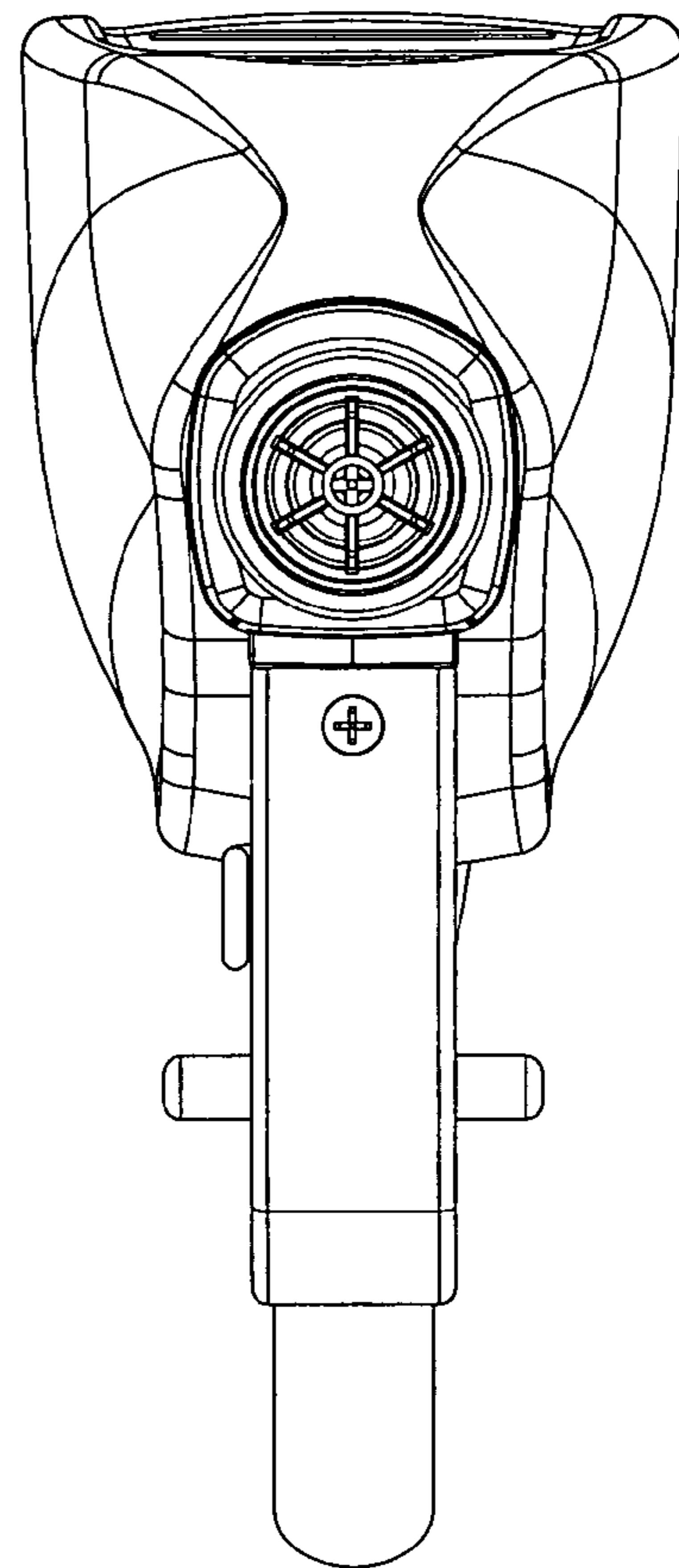


Fig. 10

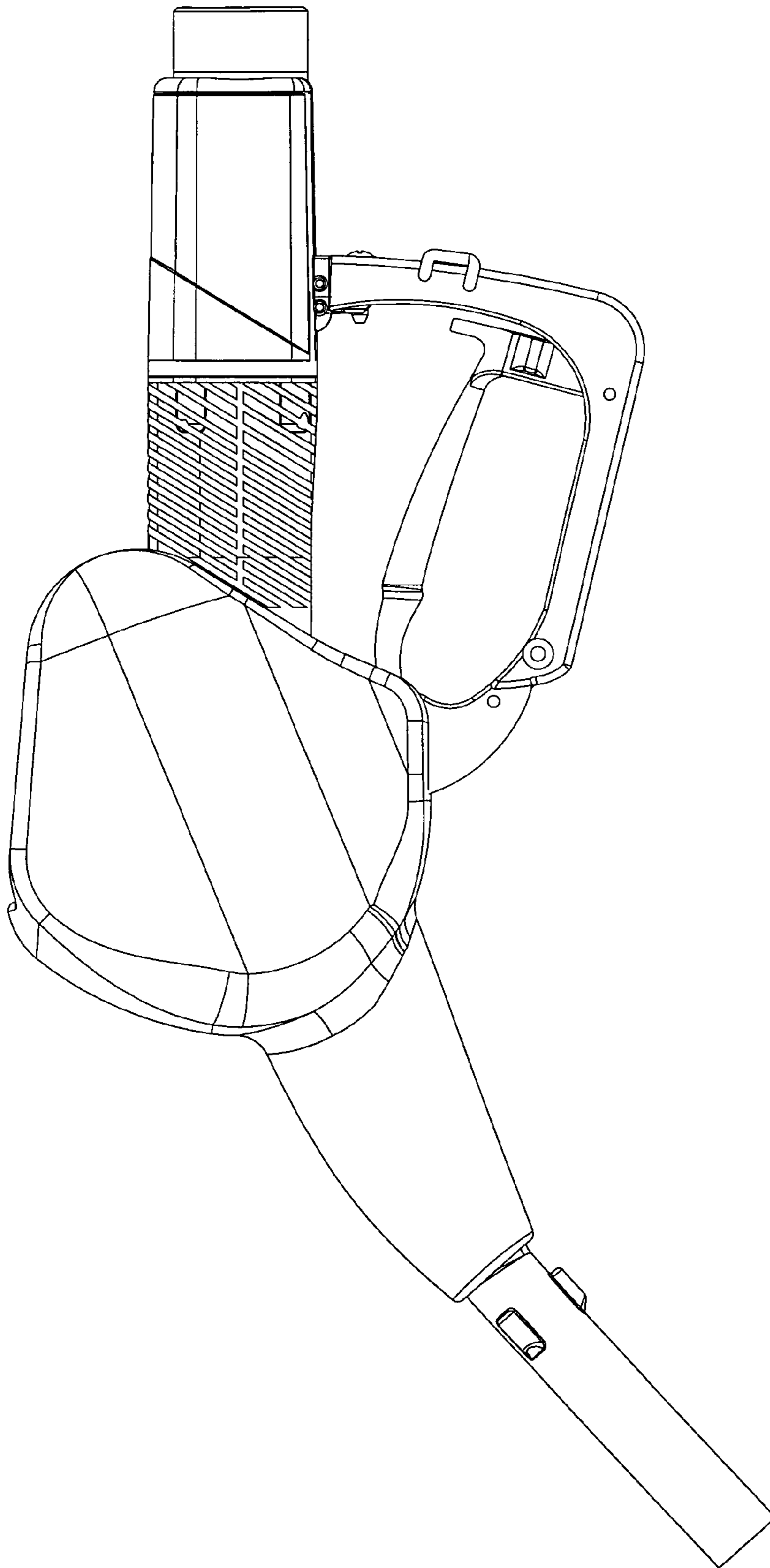


Fig. 11

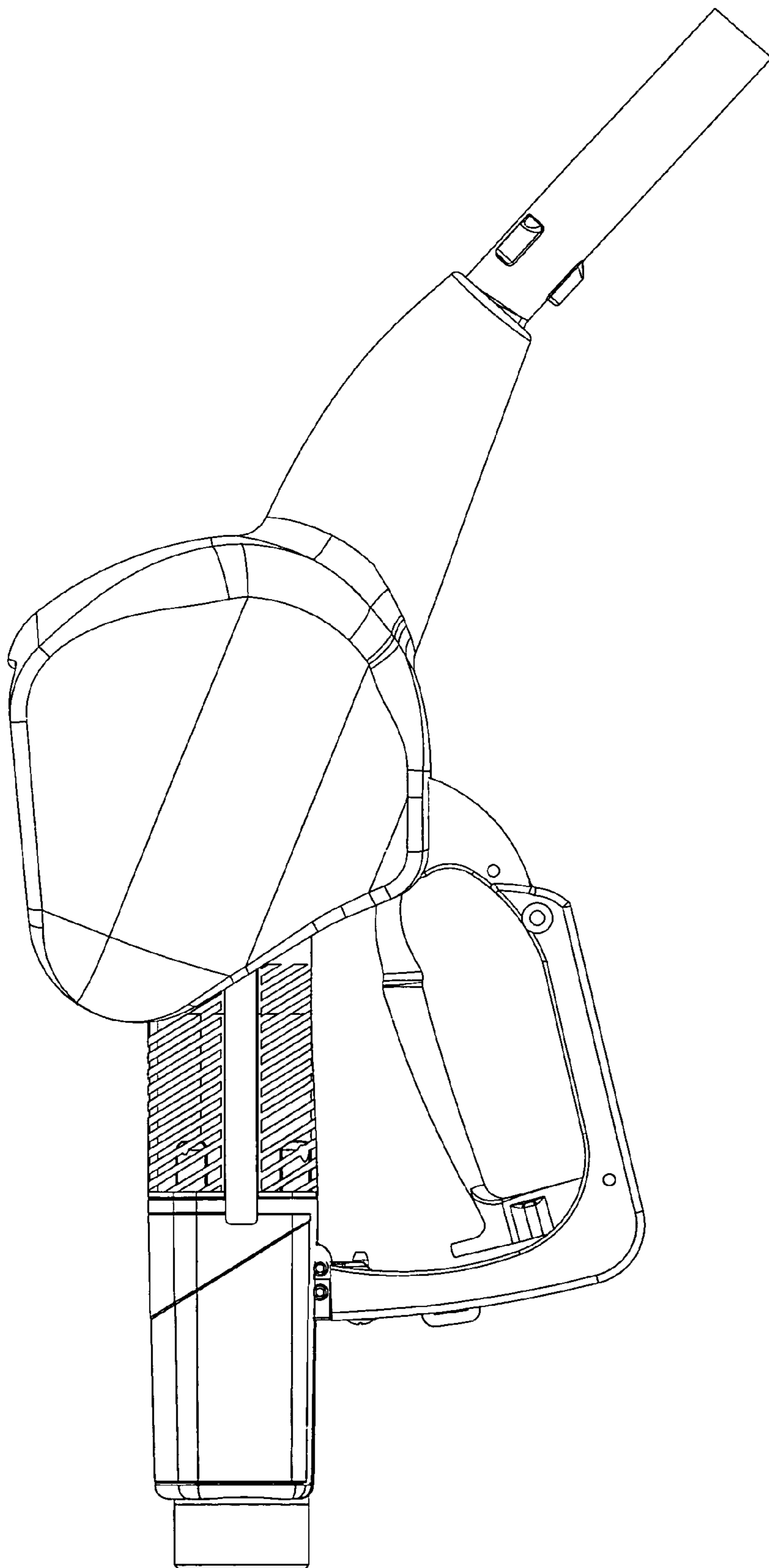


Fig. 12

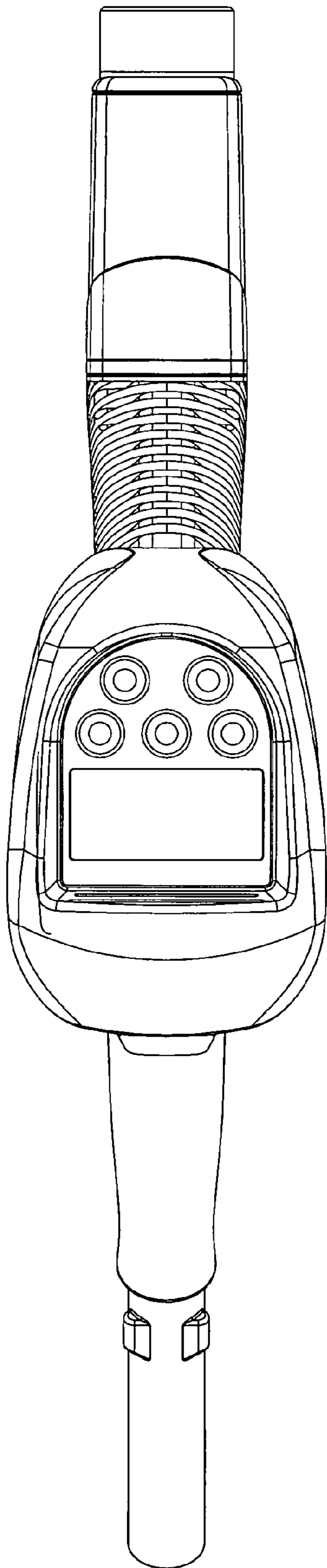


Fig. 13

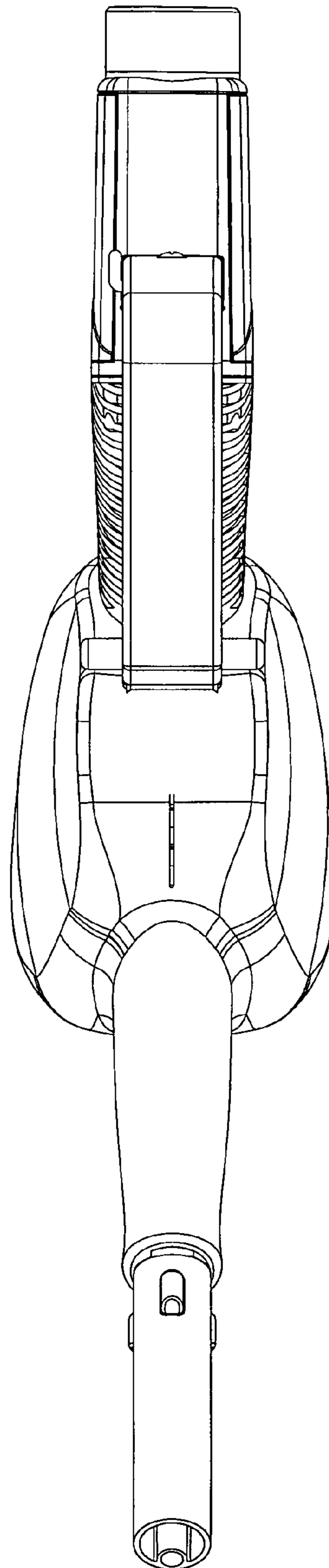


Fig. 14