



US00D648413S

(12) **United States Design Patent**
Mayberry et al.

(10) **Patent No.:** **US D648,413 S**

(45) **Date of Patent:** **** *Nov. 8, 2011**

(54) **REAR SIGHT FOR A FIREARM**

(75) Inventors: **Michael T. Mayberry**, Denver, CO (US); **Richard M. Fitzpatrick**, Longmont, CO (US); **Eric C. Burt**, Broomfield, CO (US)

(73) Assignee: **Magpul Industries Corp.**, Boulder, CO (US)

(*) Notice: This patent is subject to a terminal disclaimer.

(**) Term: **14 Years**

(21) Appl. No.: **29/339,672**

(22) Filed: **Jul. 6, 2009**

(51) **LOC (9) Cl.** **22-01**

(52) **U.S. Cl.** **D22/109**

(58) **Field of Classification Search** D22/100, D22/108, 109, 110, 199; 42/11, 72, 75.02, 42/71.01, 85, 90, 106, 114, 113, 116, 119, 42/124, 125, 127, 145, 128; 248/201, 205.1
See application file for complete search history.

(56) **References Cited**

U.S. PATENT DOCUMENTS

D235,339 S * 6/1975 Edstrom D22/109

(Continued)

Primary Examiner — T. Chase Nelson

Assistant Examiner — Michael A Pratt

(74) *Attorney, Agent, or Firm* — Geoffrey E. Dobbin

(57) **CLAIM**

The ornamental design for a rear sight for a firearm, as shown and described.

DESCRIPTION

FIG. 1 is a top/left/rear perspective view of the rear sight for a firearm in a stowed position.

FIG. 2 is a top/left/front perspective view of the rear sight for a firearm of FIG. 1.

FIG. 3 is a bottom/left/front perspective view of the rear sight for a firearm of FIG. 1.

FIG. 4 is a bottom/left/rear perspective view of the rear sight for a firearm of FIG. 1.

FIG. 5 is a front plan view of the rear sight for a firearm of FIG. 1.

FIG. 6 is a rear plan view of the rear sight for a firearm of FIG. 1.

FIG. 7 is a right elevation view of the rear sight for a firearm of FIG. 1.

FIG. 8 is a left elevation view of the rear sight for a firearm of FIG. 1.

FIG. 9 is a top plan view of the rear sight for a firearm of FIG. 1.

FIG. 10 is a bottom plan view of the rear sight for a firearm of FIG. 1.

FIG. 11 is a top/right/rear perspective view of the rear sight for a firearm of FIG. 1.

FIG. 12 is a top/right/front perspective view of the rear sight for a firearm of FIG. 1.

FIG. 13 is a bottom/right/rear perspective view of the rear sight for a firearm of FIG. 1.

FIG. 14 is a bottom/right/front perspective view of the rear sight for a firearm of FIG. 1.

FIG. 15 is a top/left/rear perspective view of the rear sight for a firearm in a deployed position.

FIG. 16 is a top/left/front perspective view of the rear sight for a firearm of FIG. 15.

FIG. 17 is a bottom/left/front perspective view of the rear sight for a firearm of FIG. 15.

FIG. 18 is a bottom/left/rear perspective view of the rear sight for a firearm of FIG. 15.

FIG. 19 is a front plan view of the rear sight for a firearm of FIG. 15.

FIG. 20 is a rear plan view of the rear sight for a firearm of FIG. 15.

FIG. 21 is a right elevation view of the rear sight for a firearm of FIG. 15.

FIG. 22 is a left elevation view of the rear sight for a firearm of FIG. 15.

FIG. 23 is a top plan view of the rear sight for a firearm of FIG. 15.

FIG. 24 is a bottom plan view of the rear sight for a firearm of FIG. 15.

FIG. 25 is a top/right/rear perspective view for a firearm of the rear sight of FIG. 15.

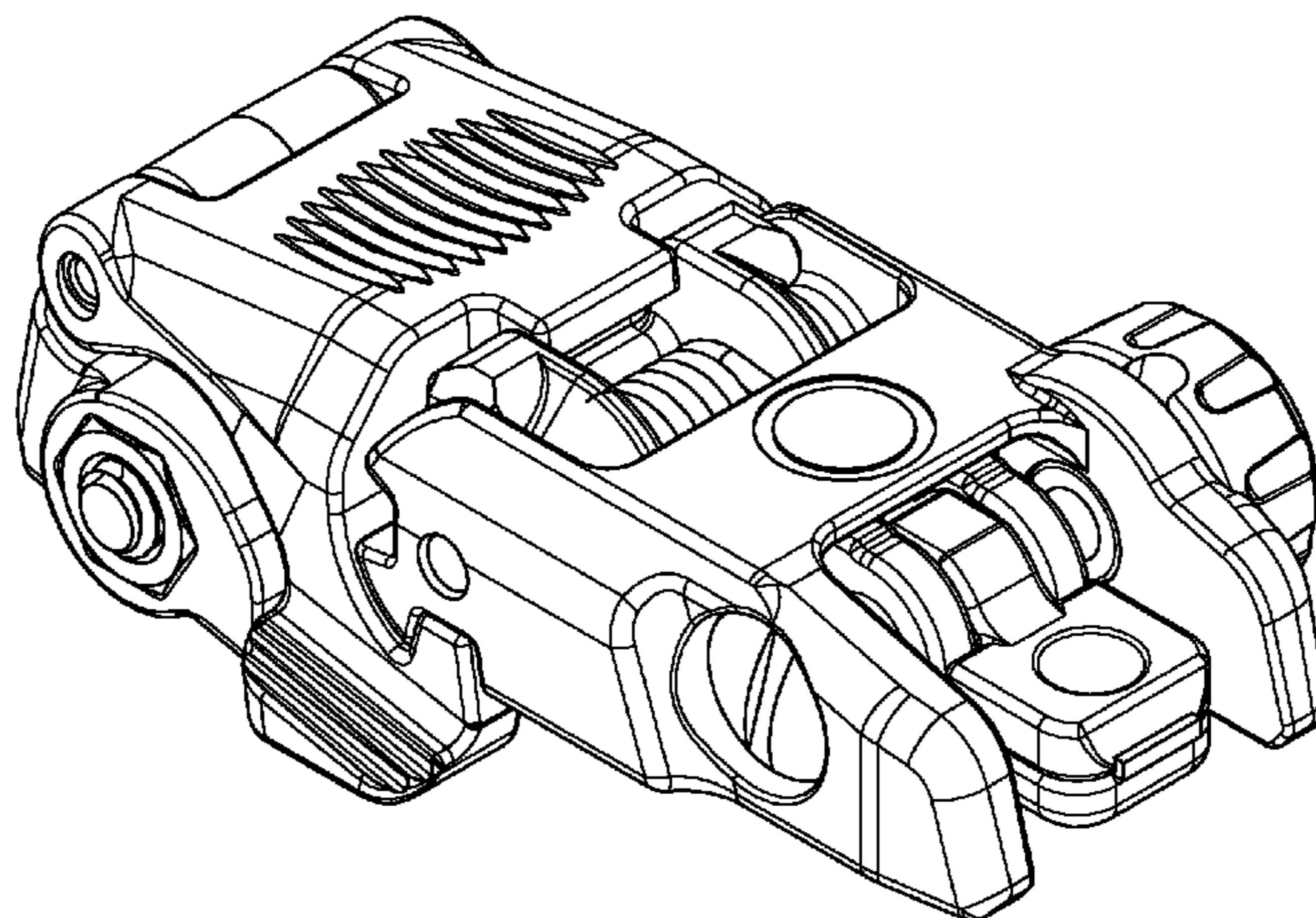
FIG. 26 is a top/right/front perspective view for a firearm of the rear sight of FIG. 15.

FIG. 27 is a bottom/right/rear perspective view of the rear sight for a firearm of FIG. 15; and,

FIG. 28 is a bottom/right/front perspective view of the rear sight for a firearm of FIG. 15.

The broken lines in FIGS. 3, 4, 10, 13-15, 18, 20, 25 and 27 depict functional weight cutouts and are illustrative of environment and not intended to form a part of the claimed design.

1 Claim, 14 Drawing Sheets



US D648,413 S

Page 2

U.S. PATENT DOCUMENTS

D354,111 S *	1/1995	Karppinen	D22/109	2007/0234625 A1*	10/2007	Kidd	42/111
2003/0140546 A1*	7/2003	Kay	42/133	2007/0271834 A1*	11/2007	Keng	42/124
2006/0156559 A1*	7/2006	Forrest	33/265	2008/0034638 A1*	2/2008	Spuhr	42/127
2007/0130817 A1*	6/2007	Ballard	42/118	2008/0253110 A1*	10/2008	Wu	362/113

* cited by examiner

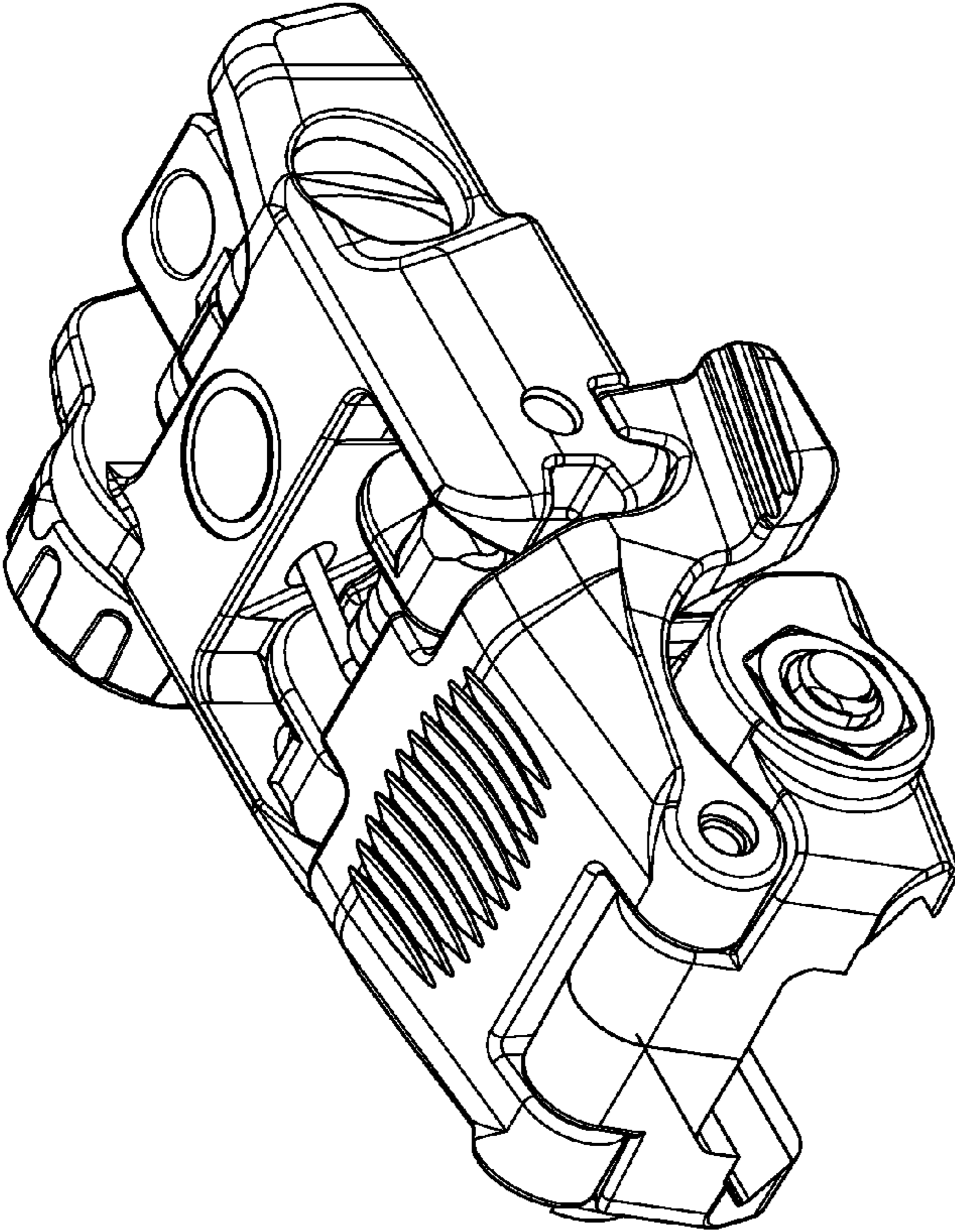


FIG. 1

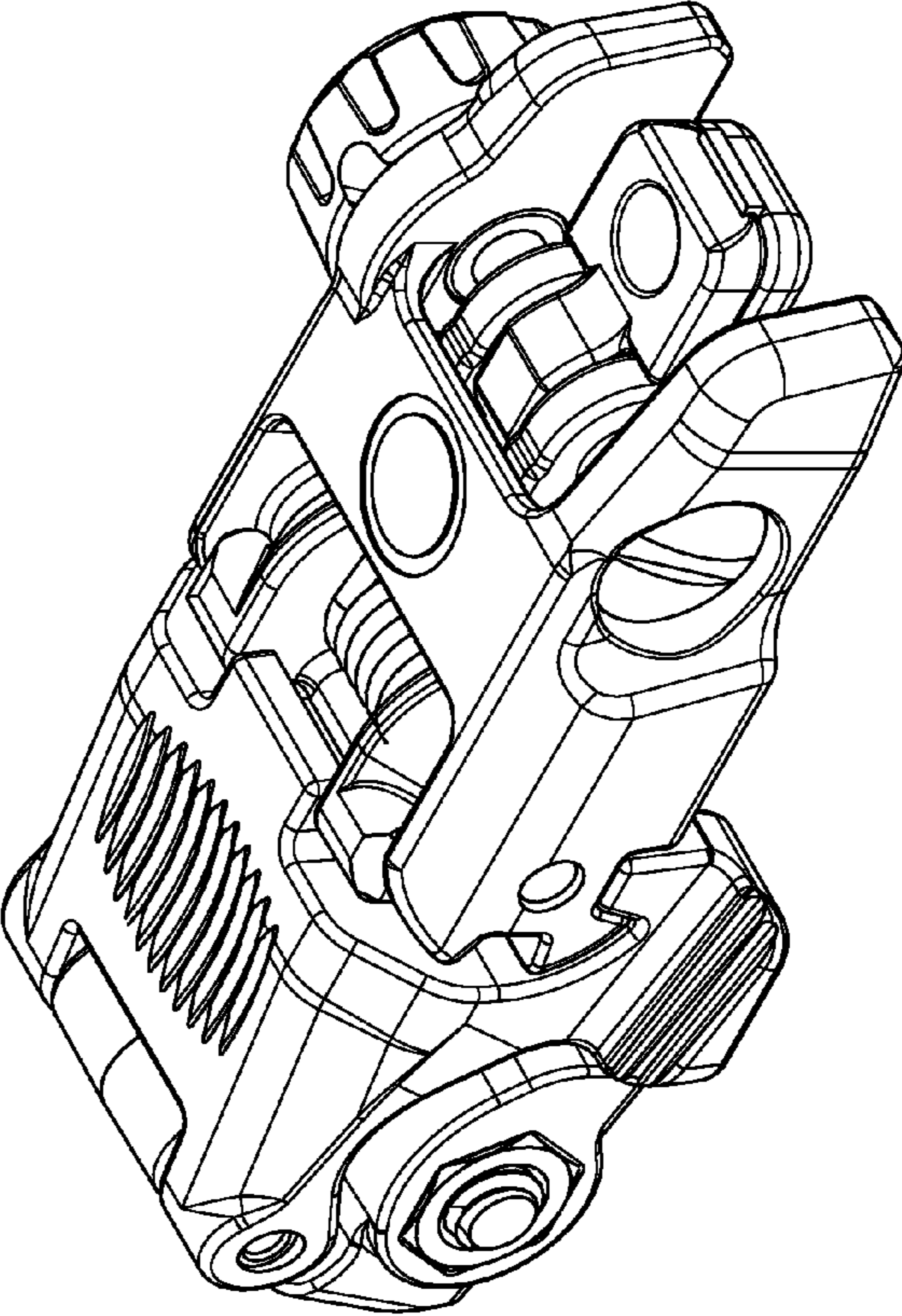


FIG. 2

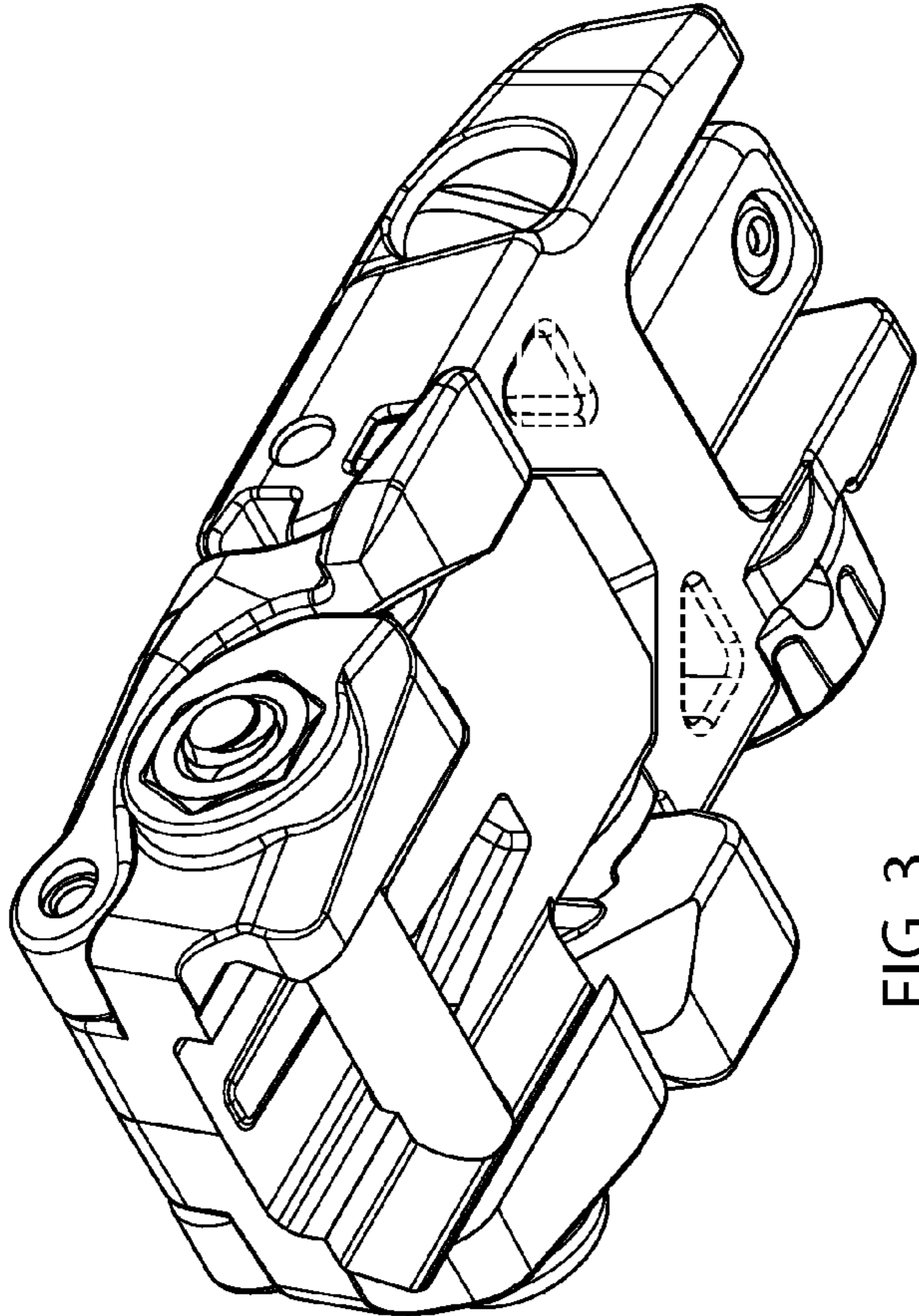


FIG. 3

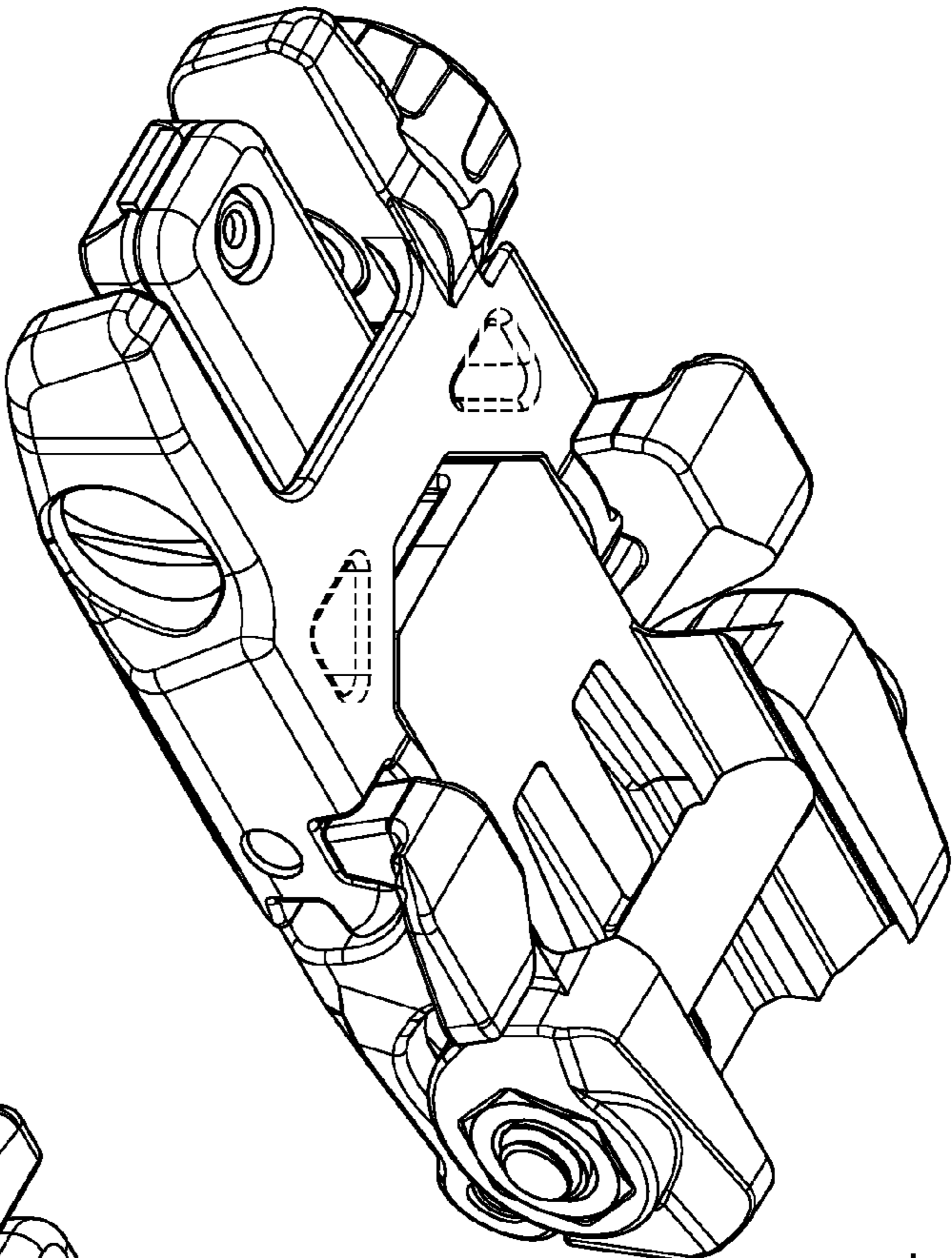


FIG. 4

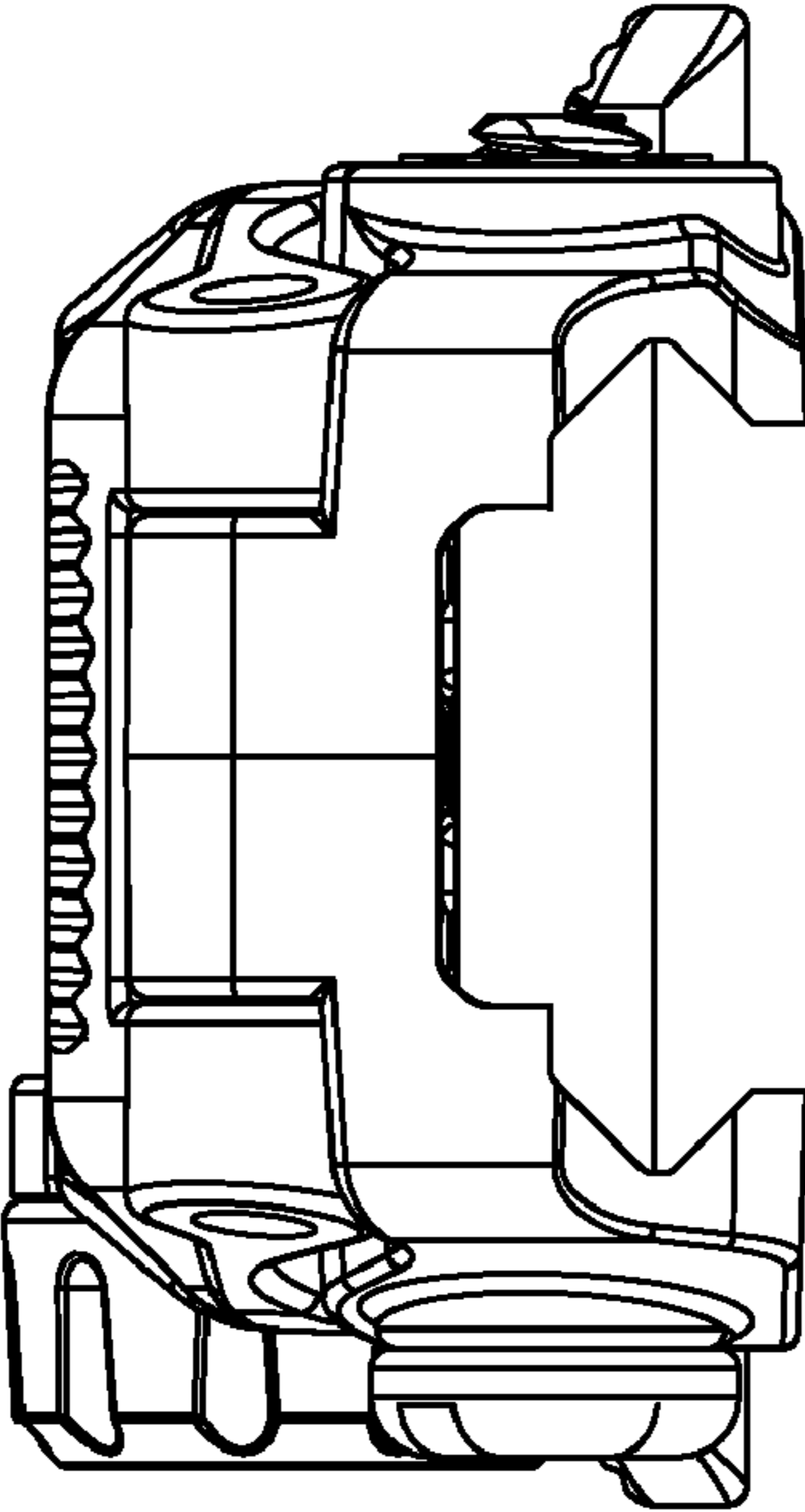


FIG. 5

FIG. 6

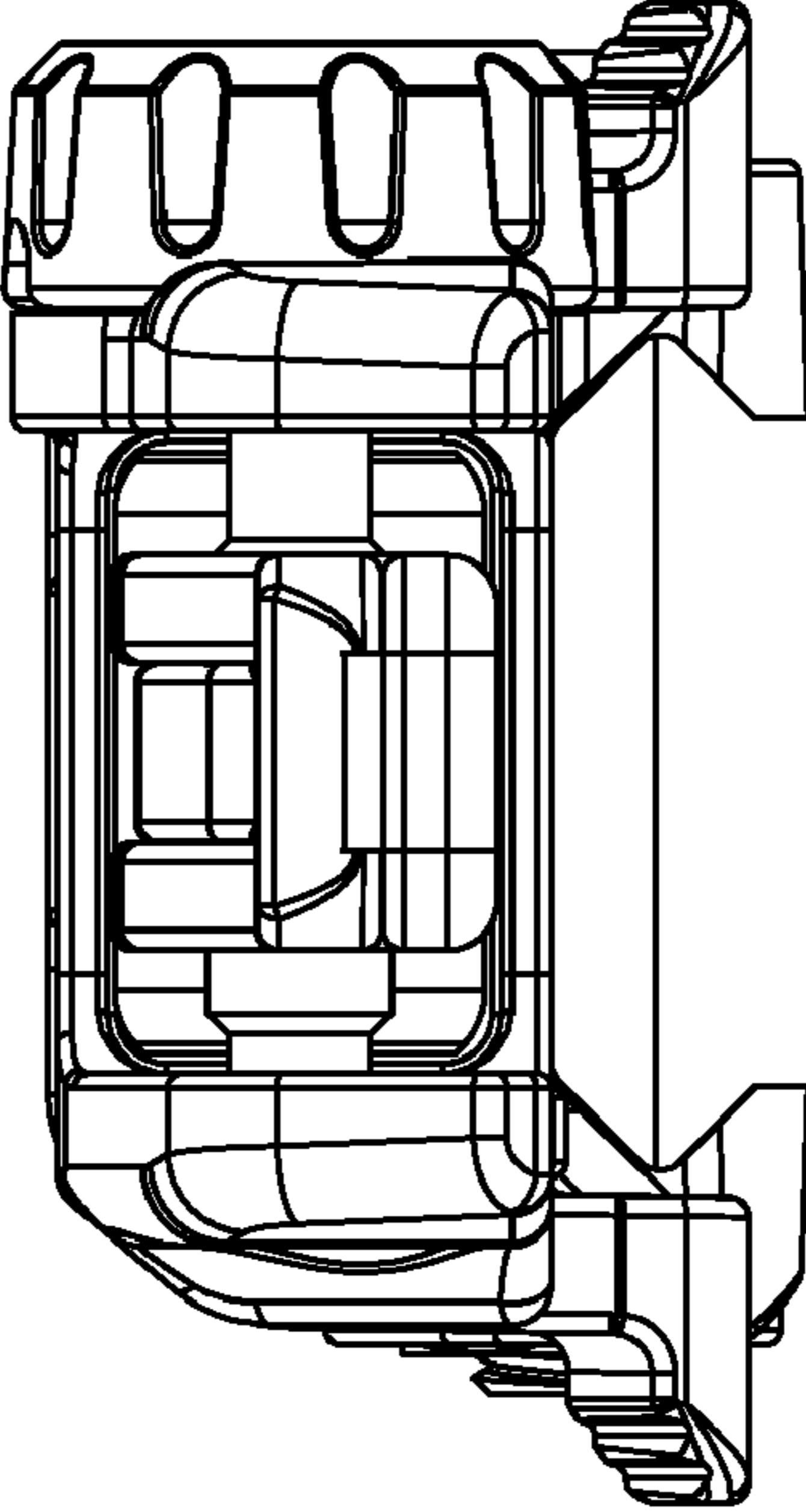


FIG. 7

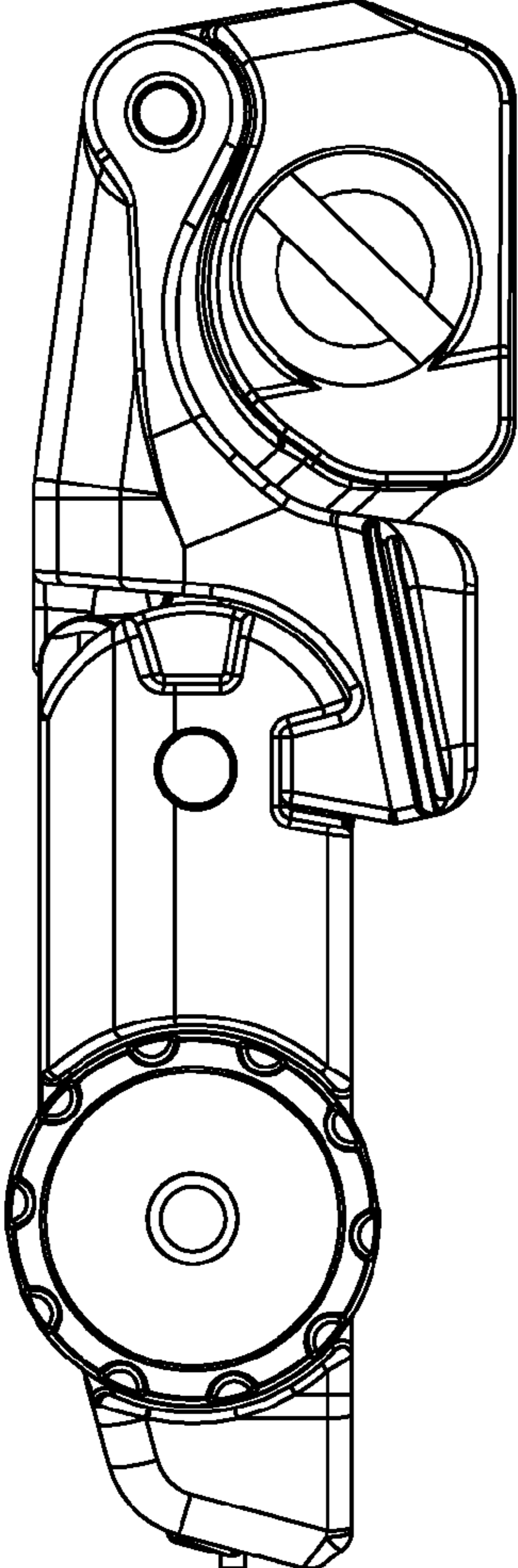


FIG. 8

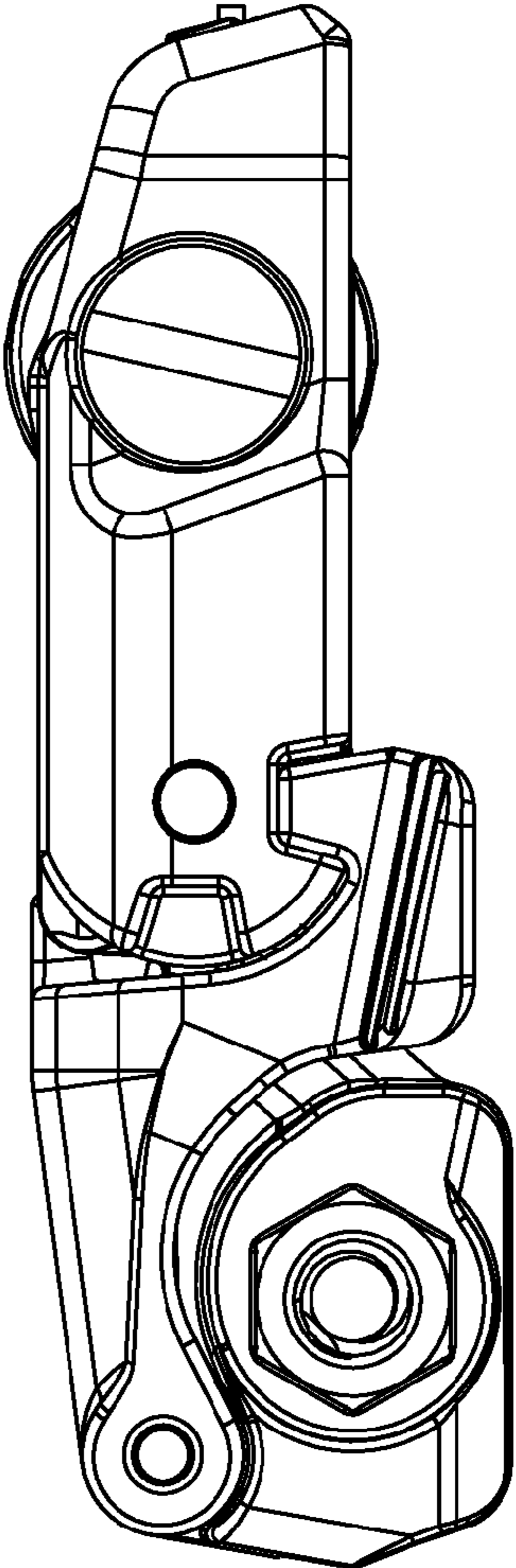


FIG. 10

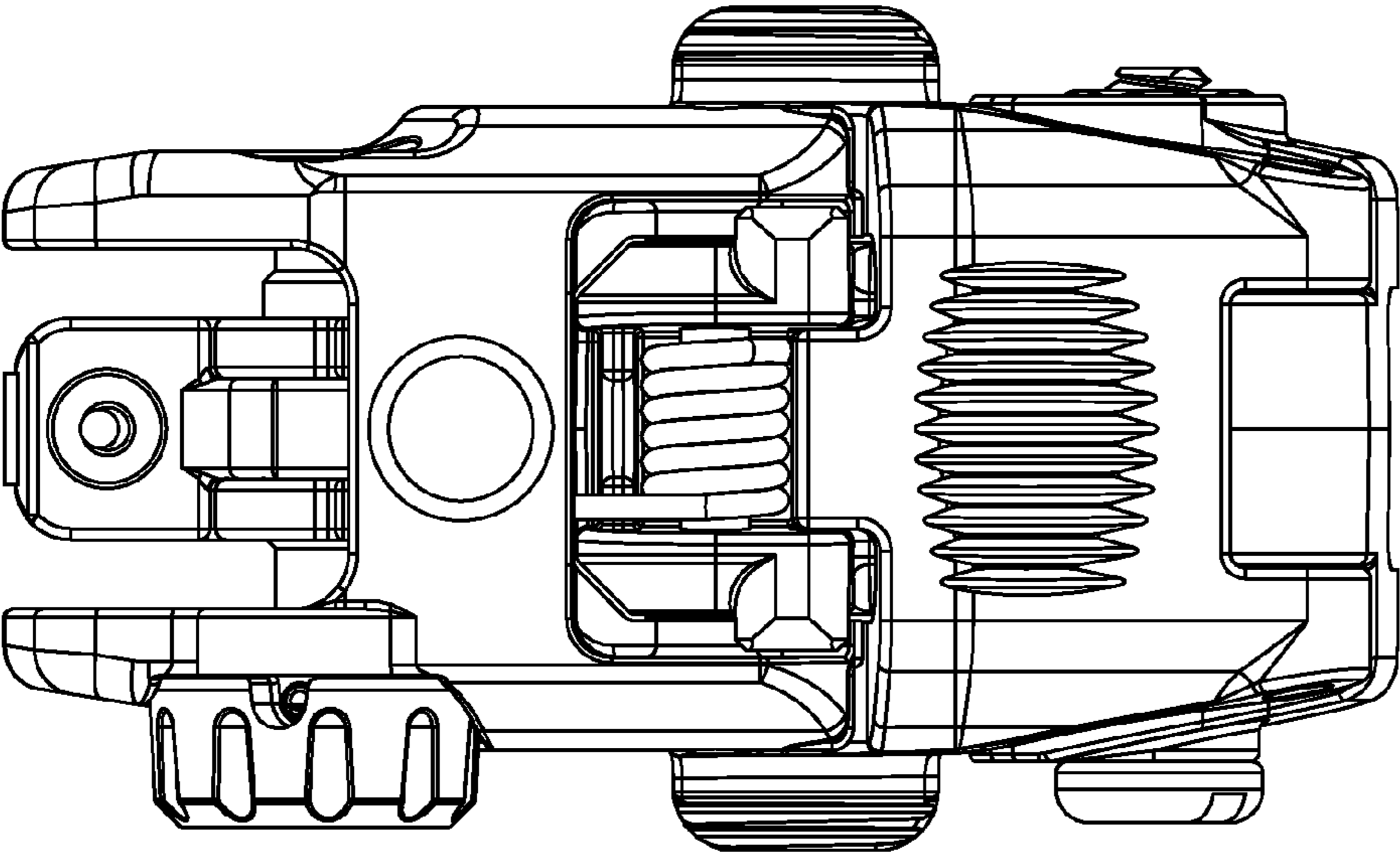
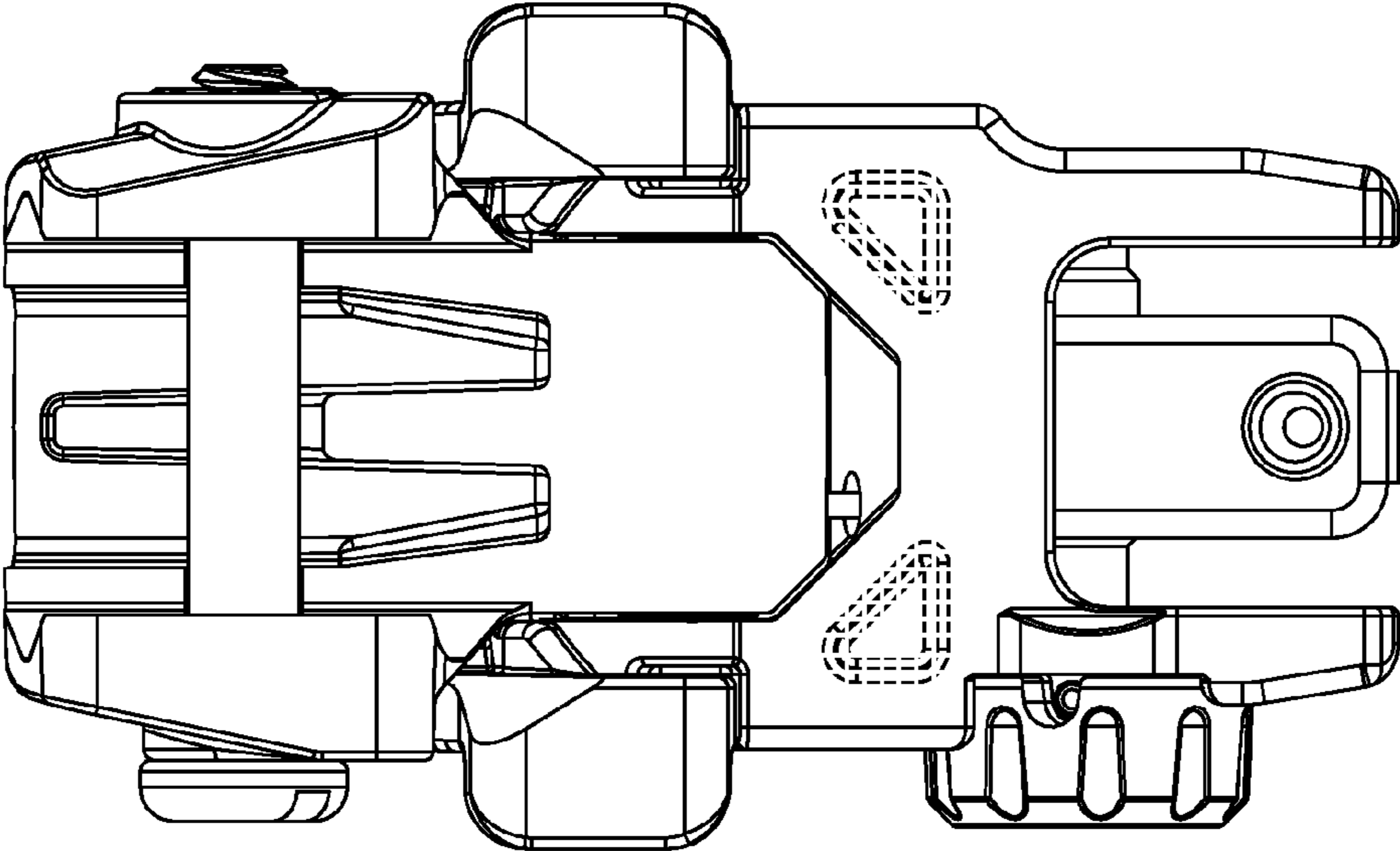


FIG. 9

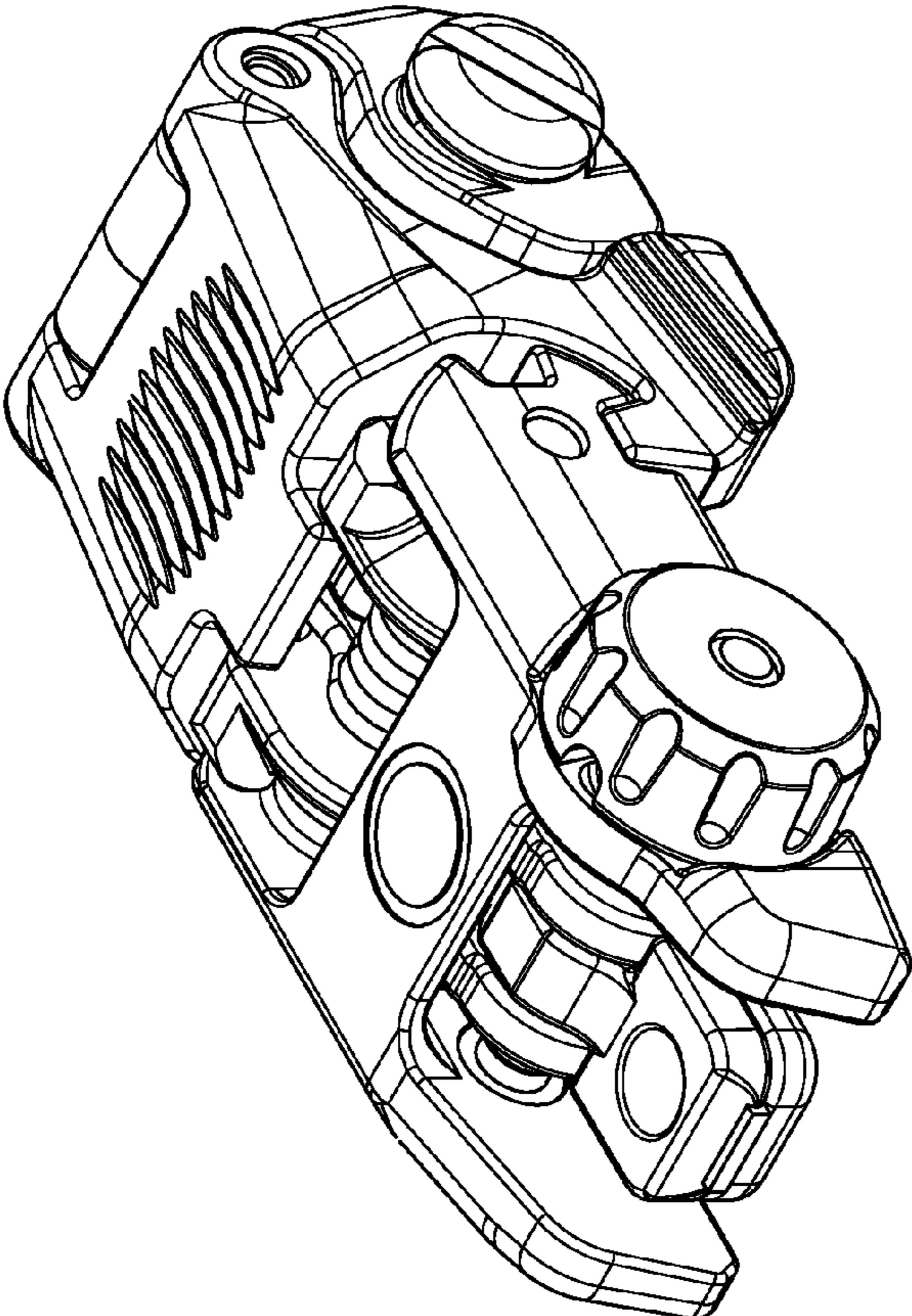


FIG. 11

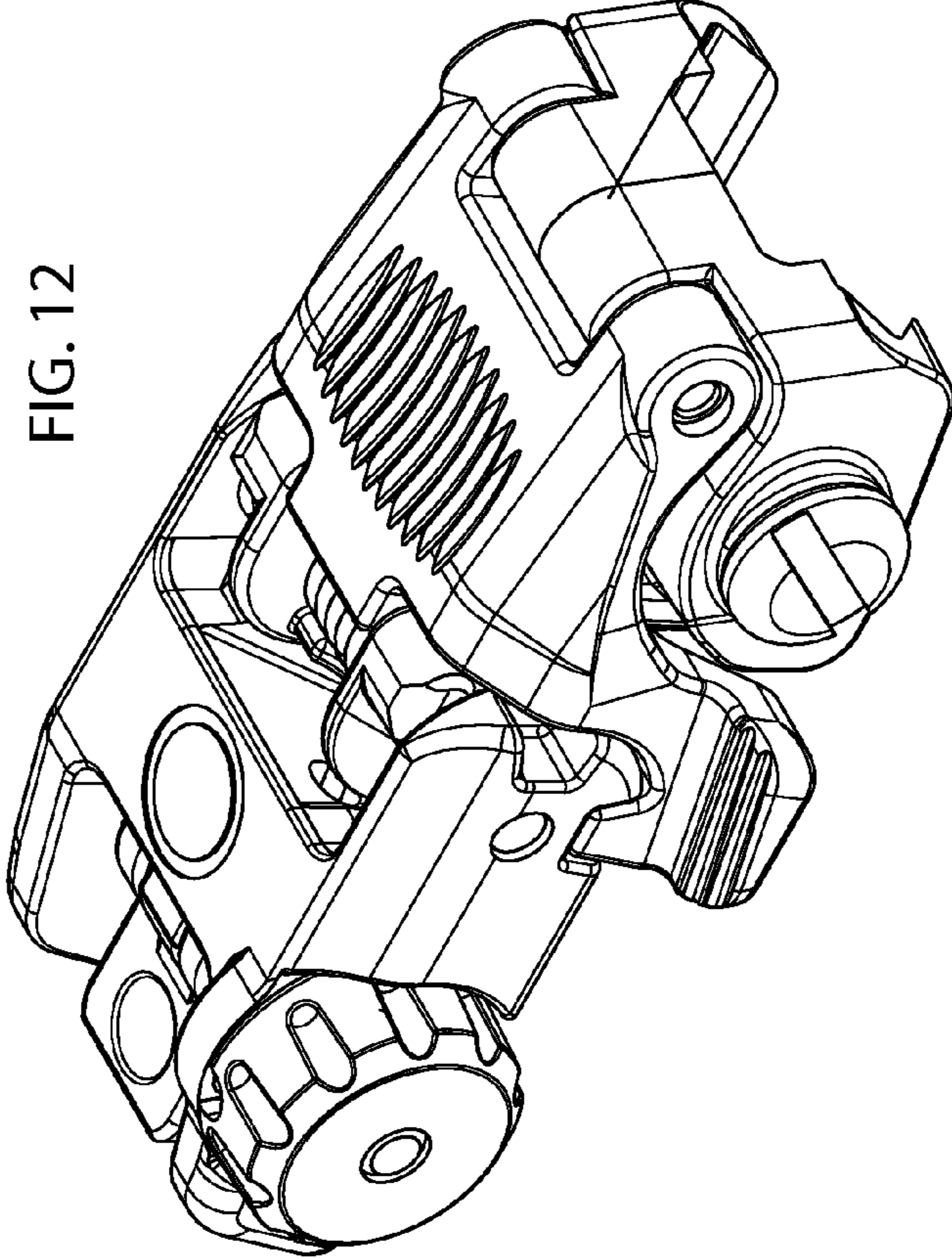


FIG. 12

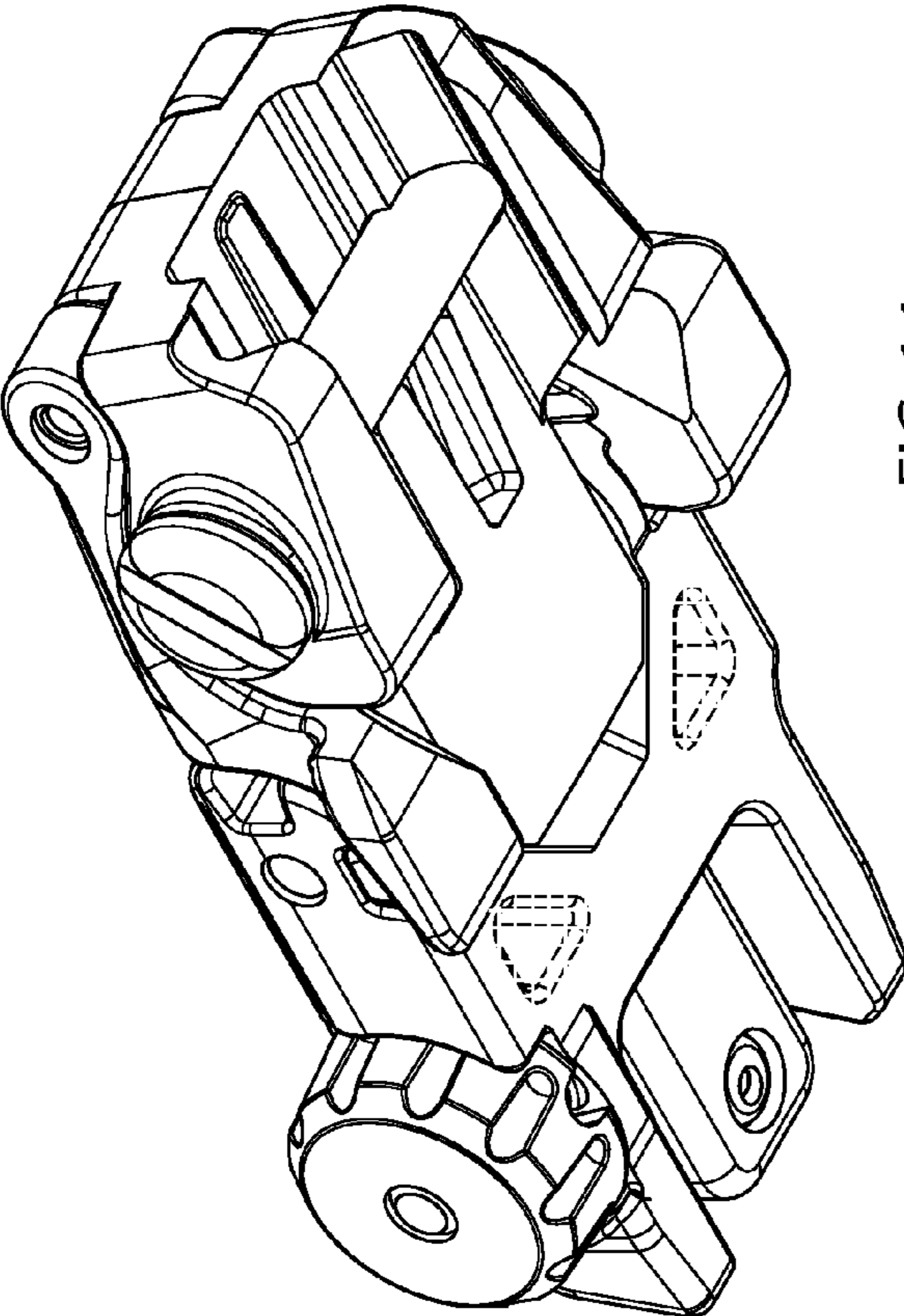


FIG. 14

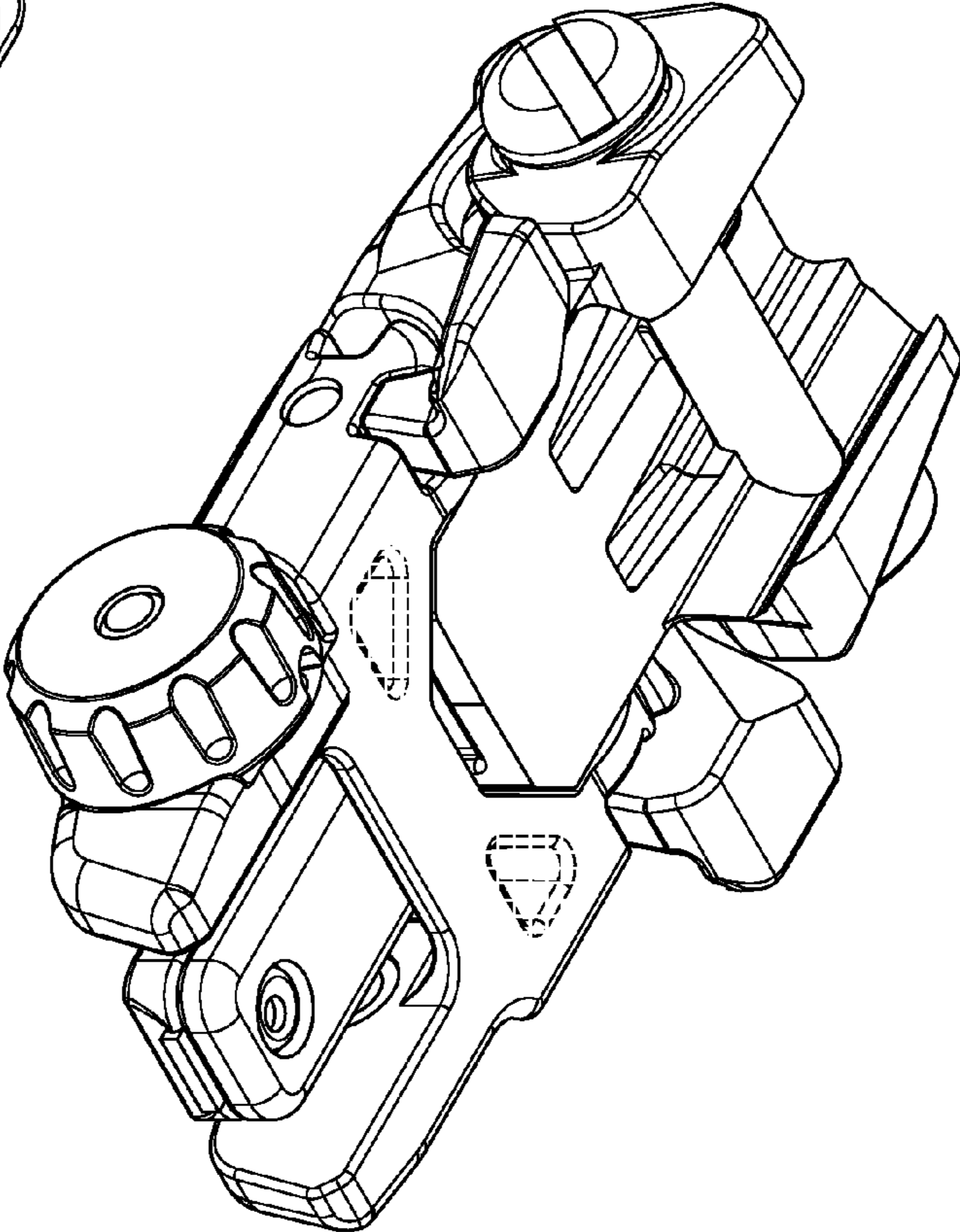


FIG. 13

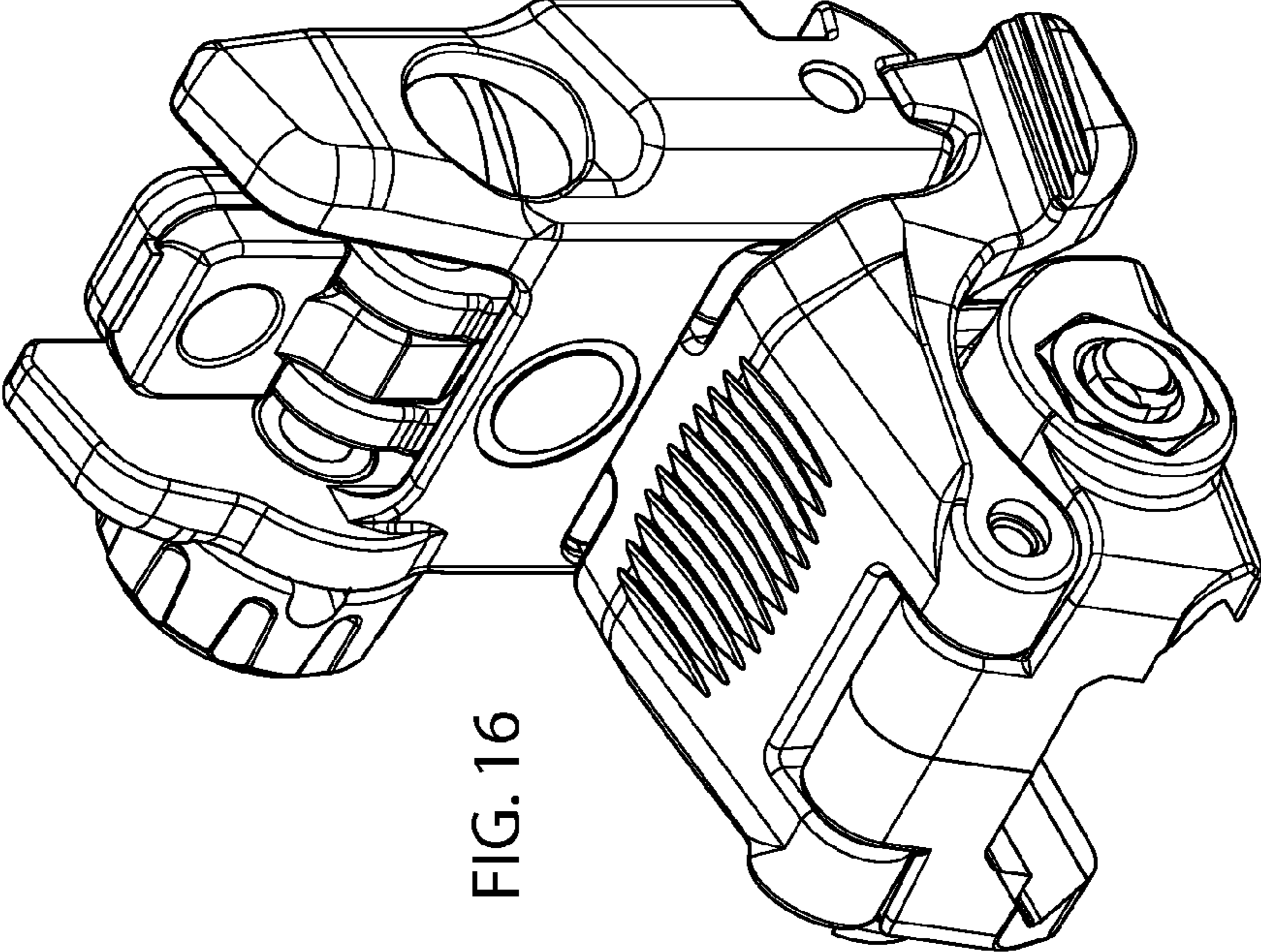


FIG. 16

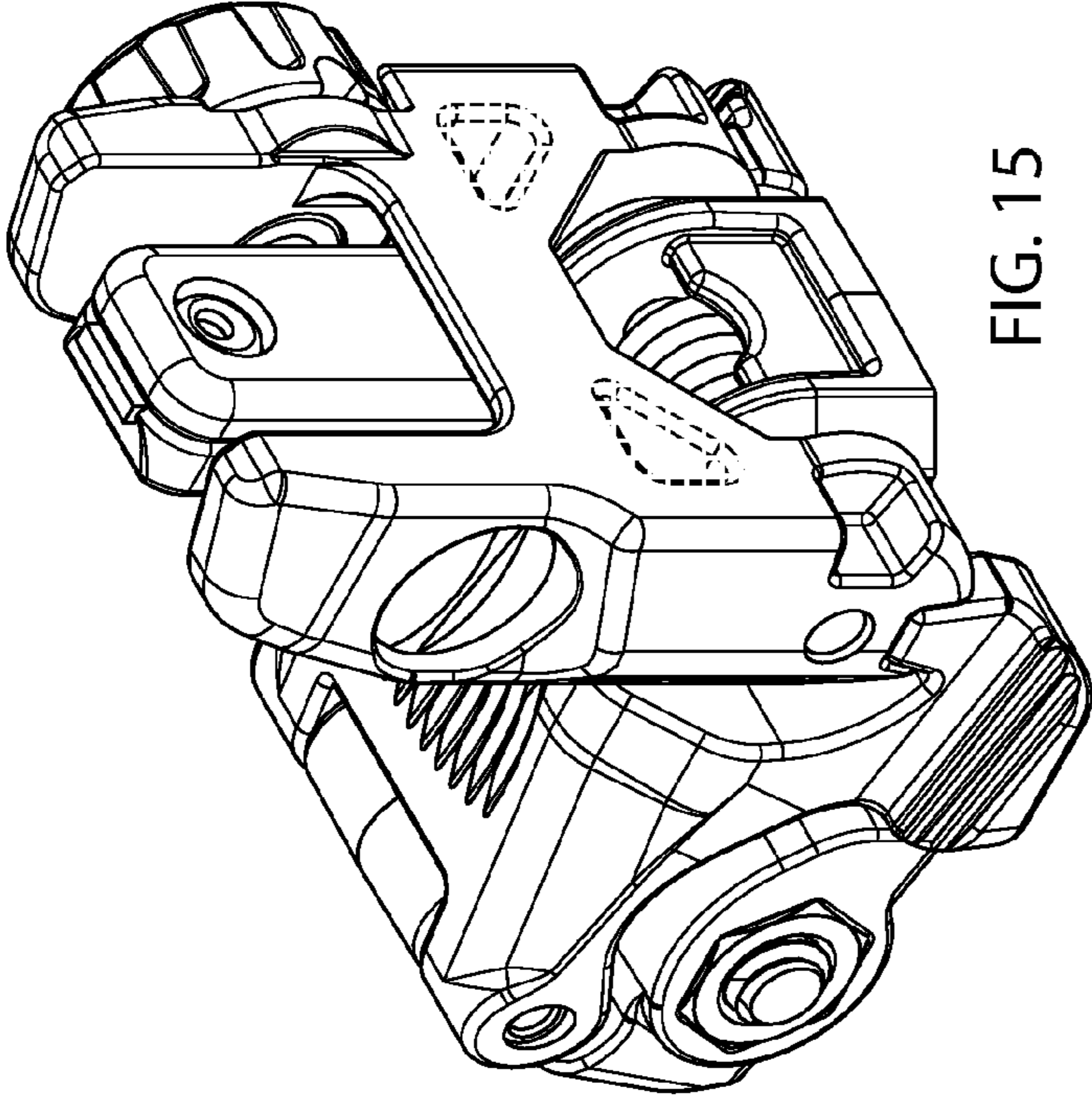


FIG. 15

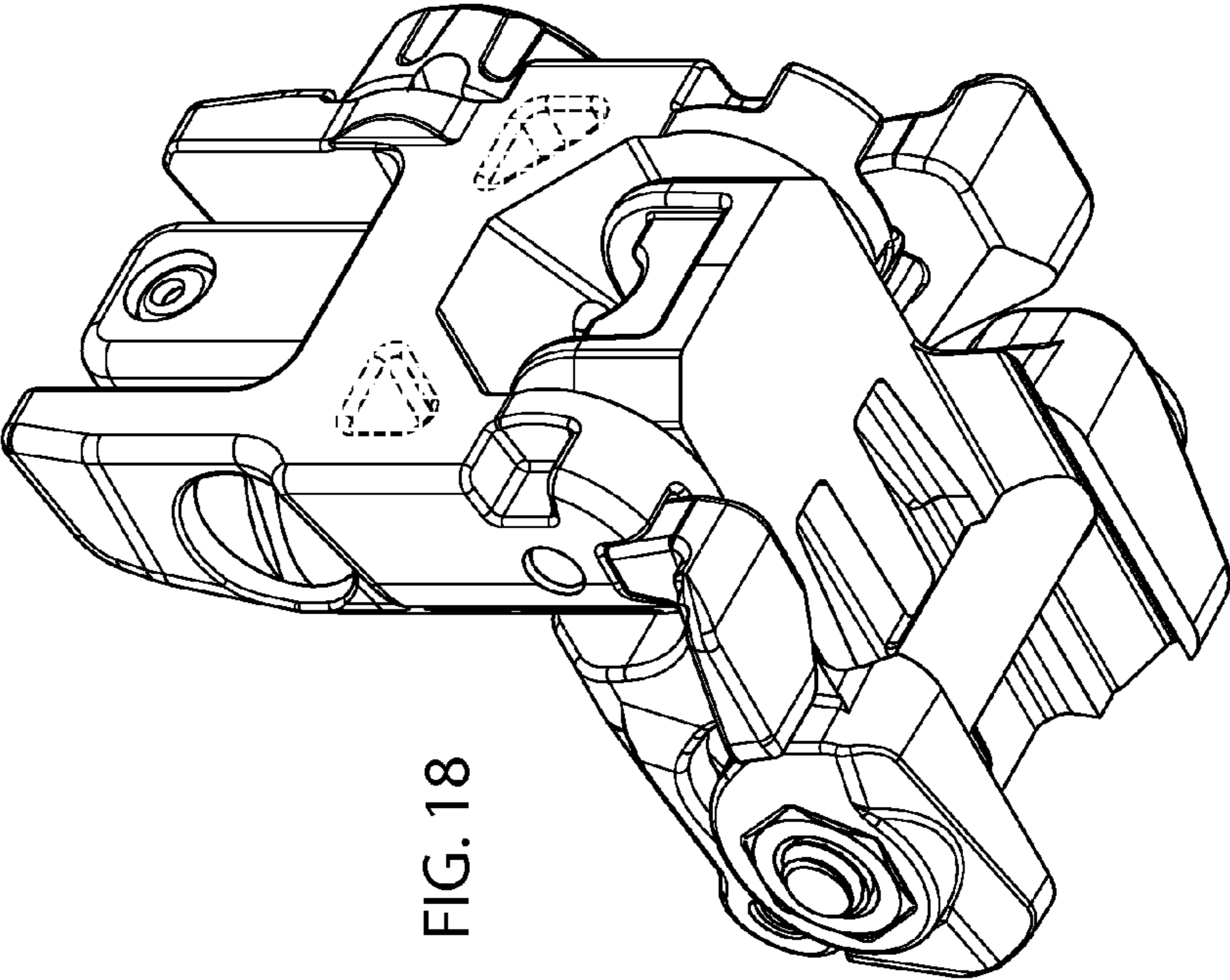


FIG. 18

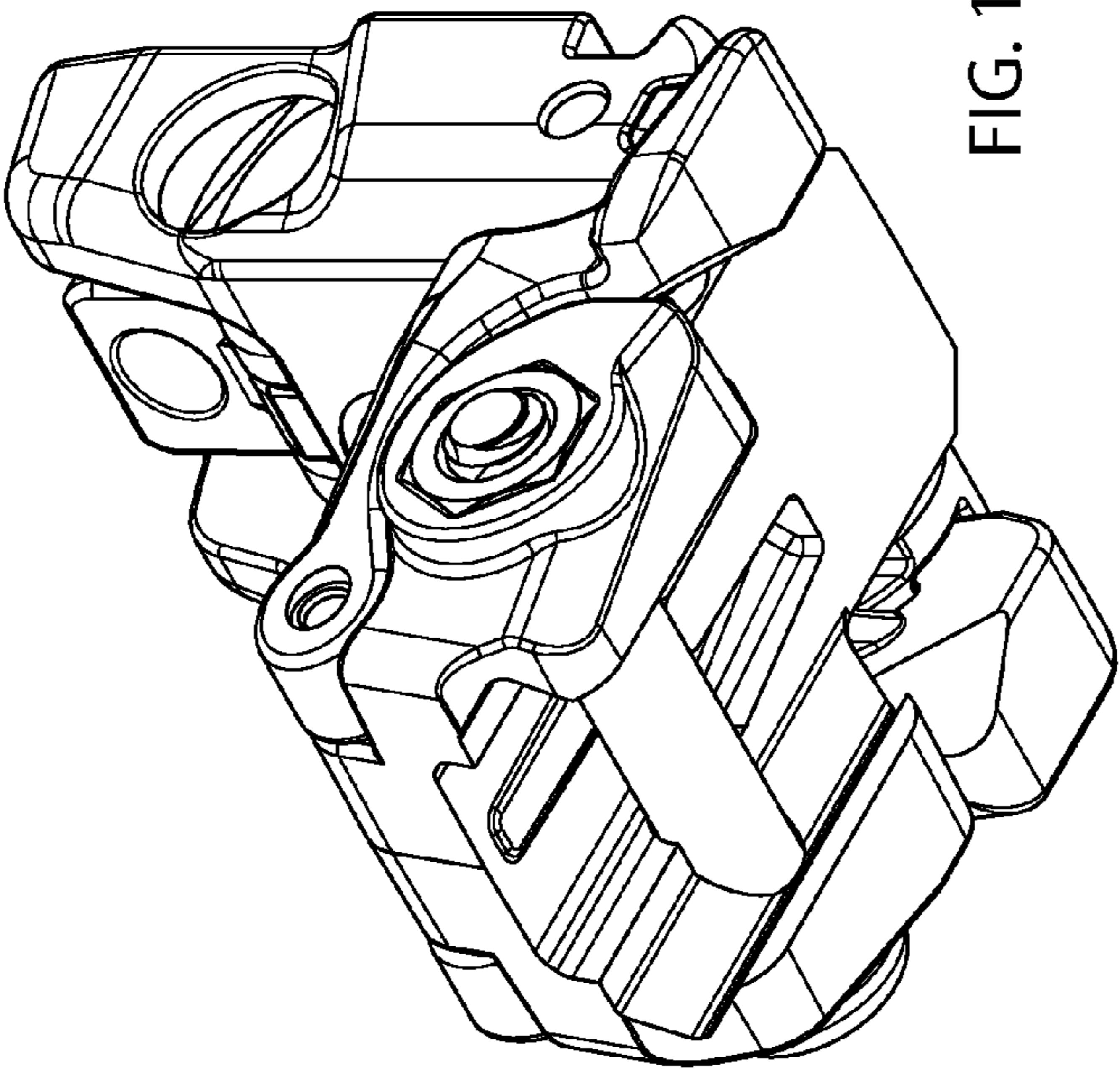


FIG. 17

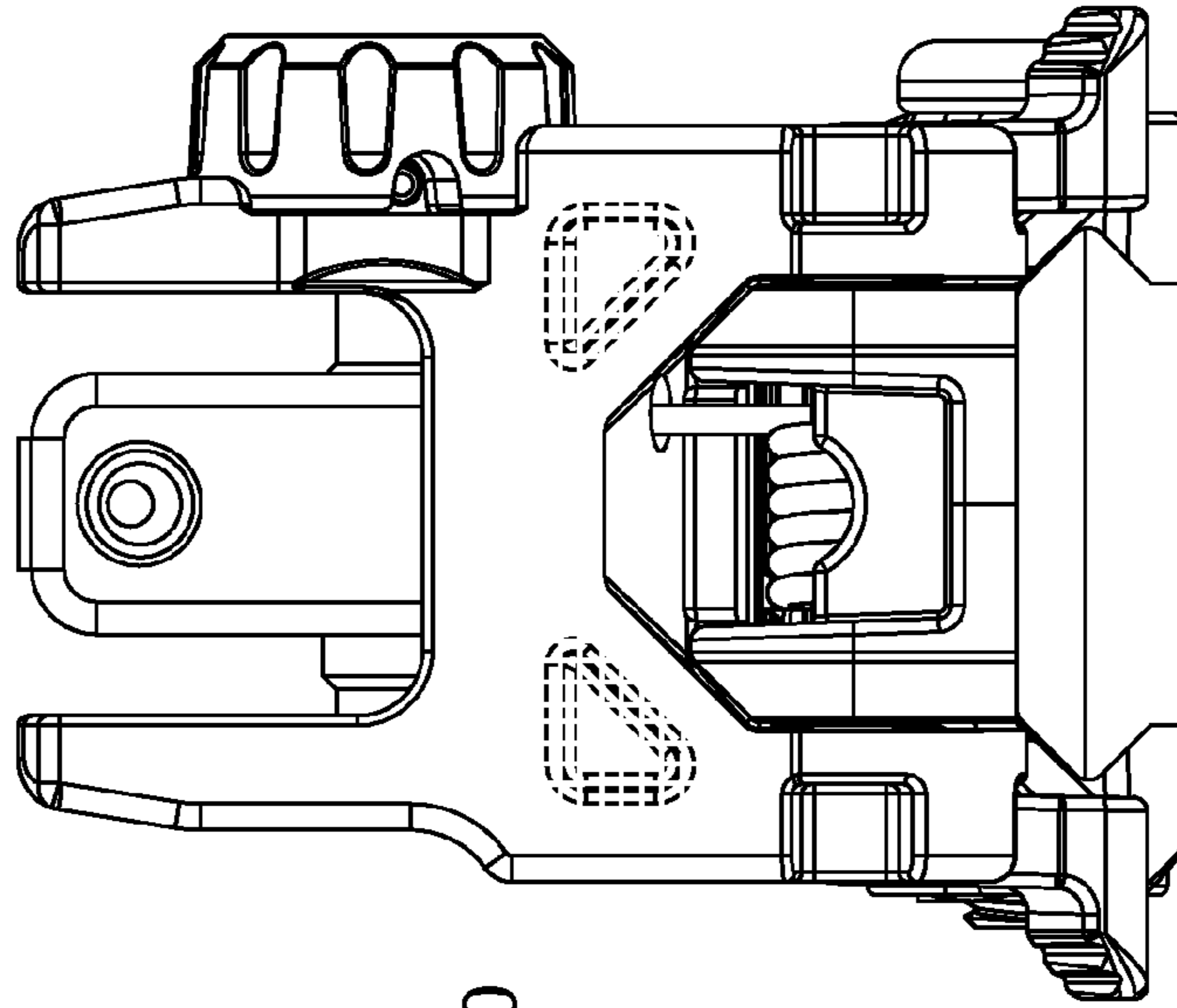


FIG. 20

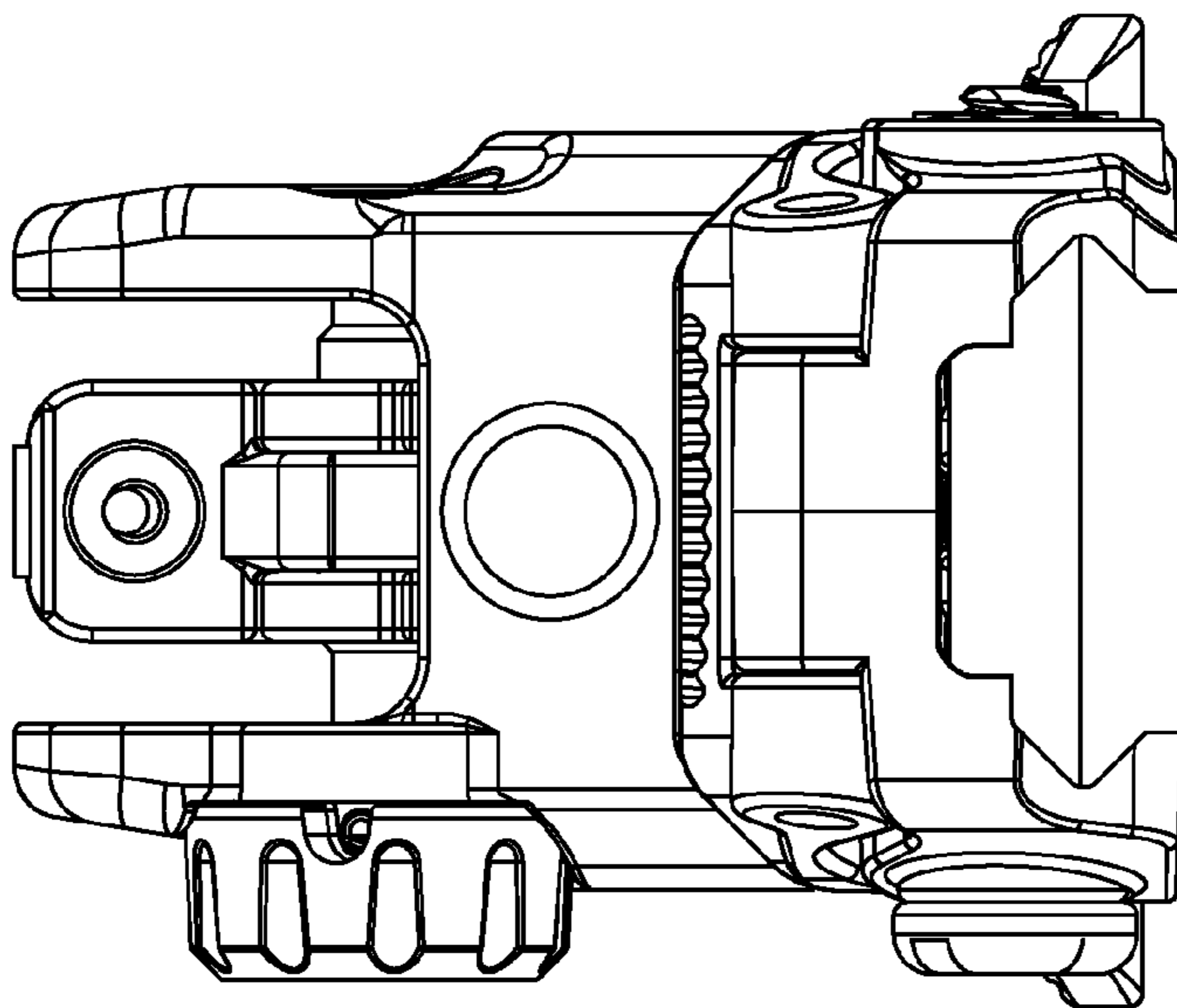


FIG. 19

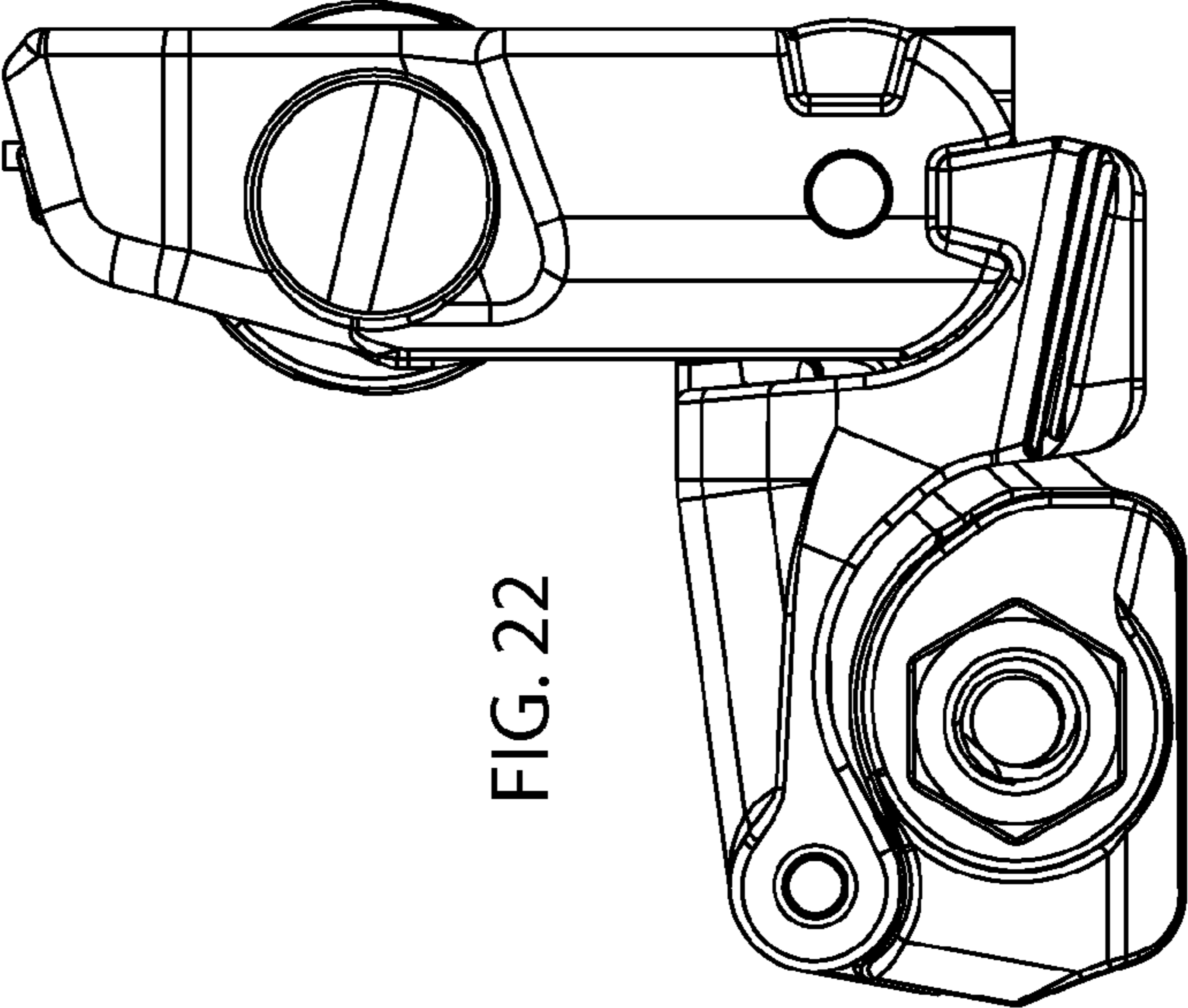


FIG. 22

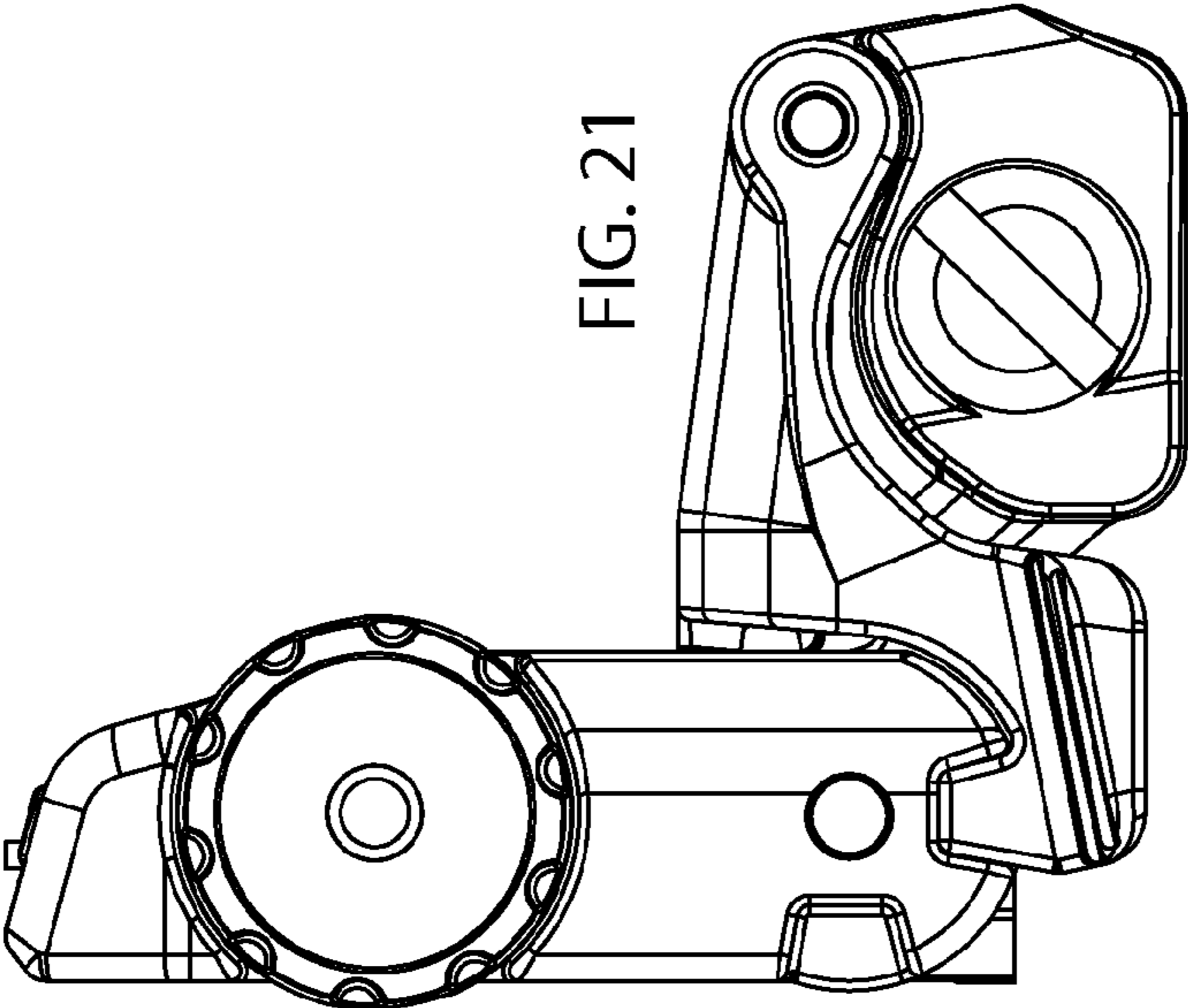


FIG. 21

FIG. 24

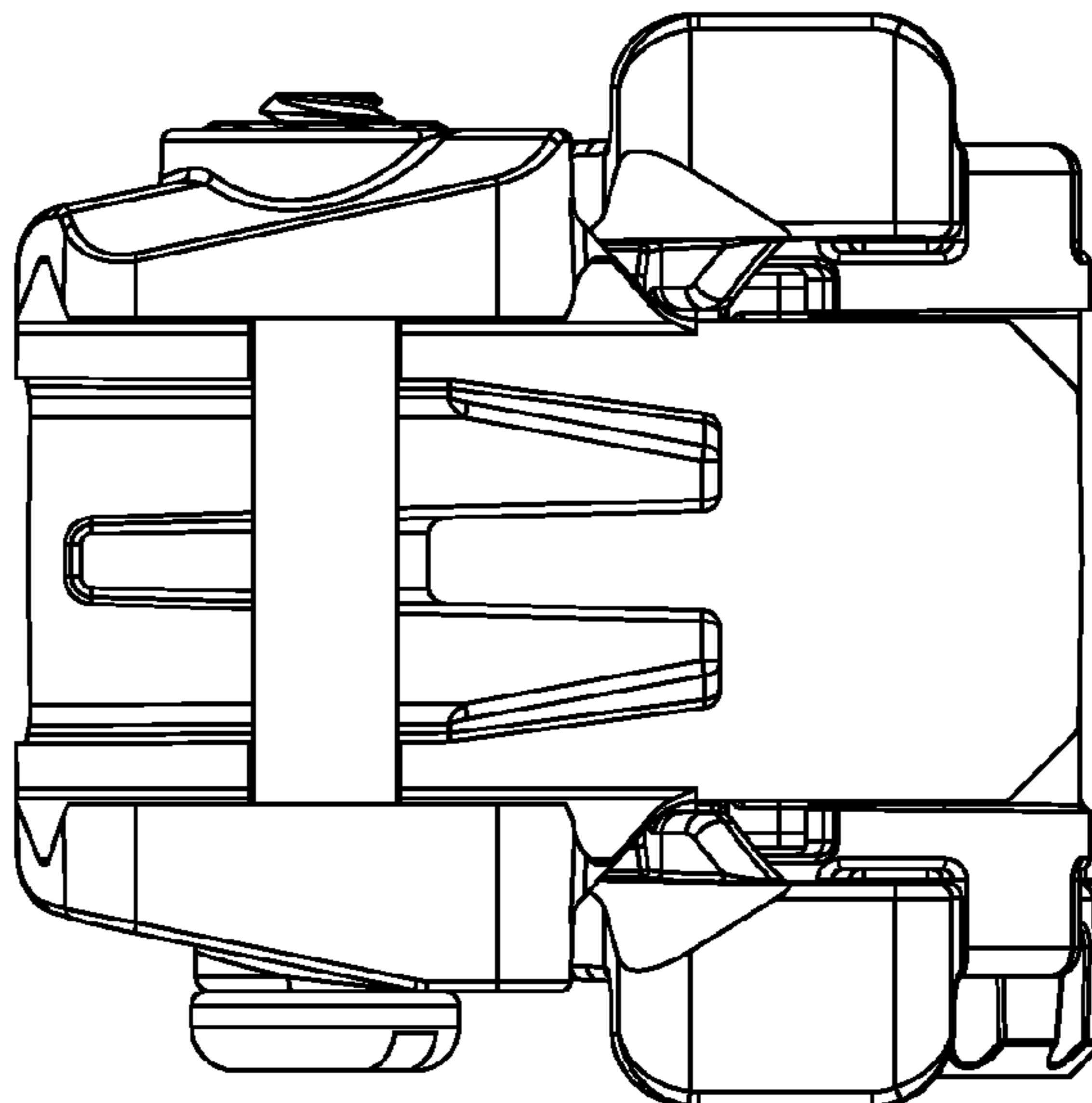
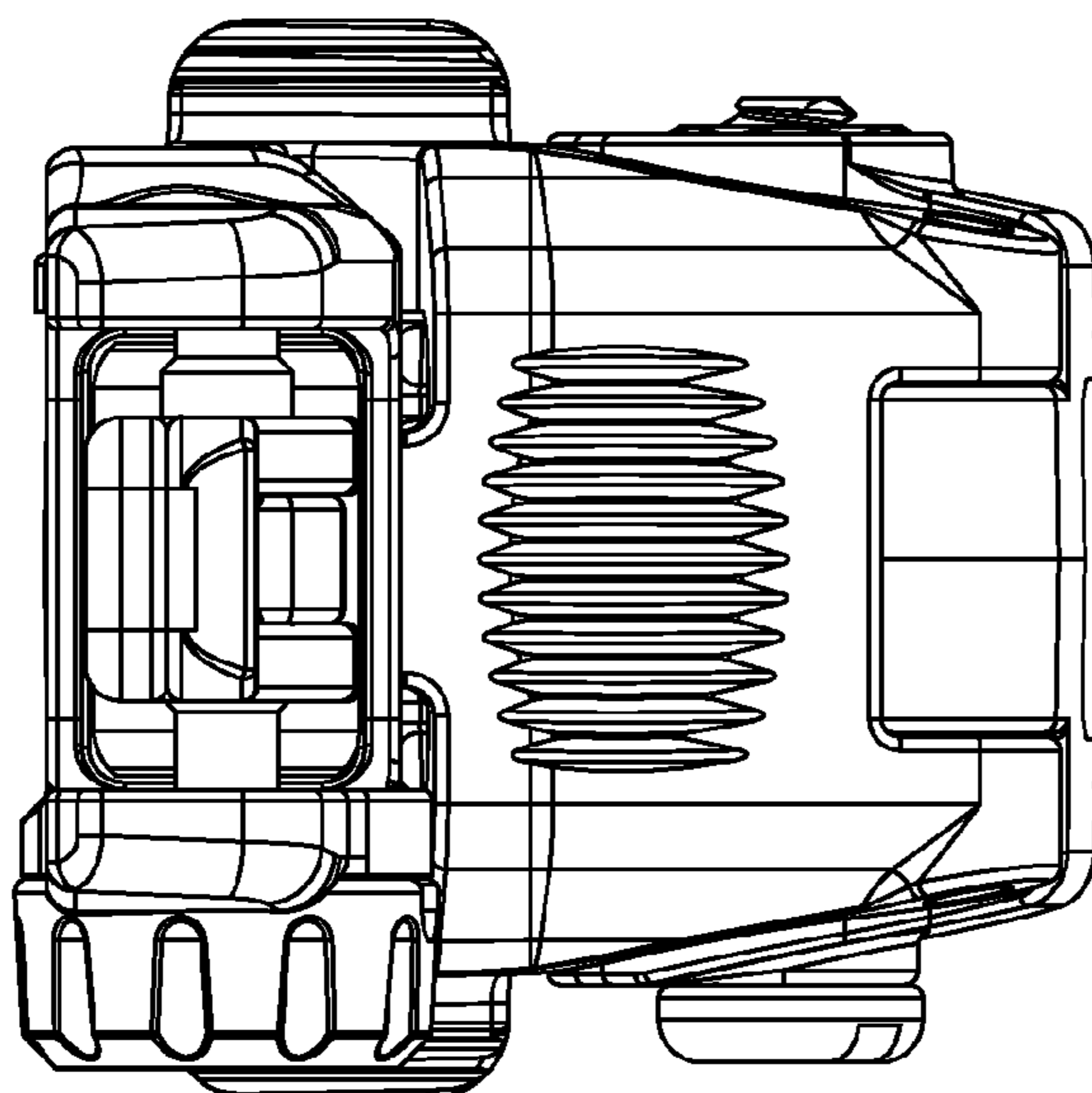
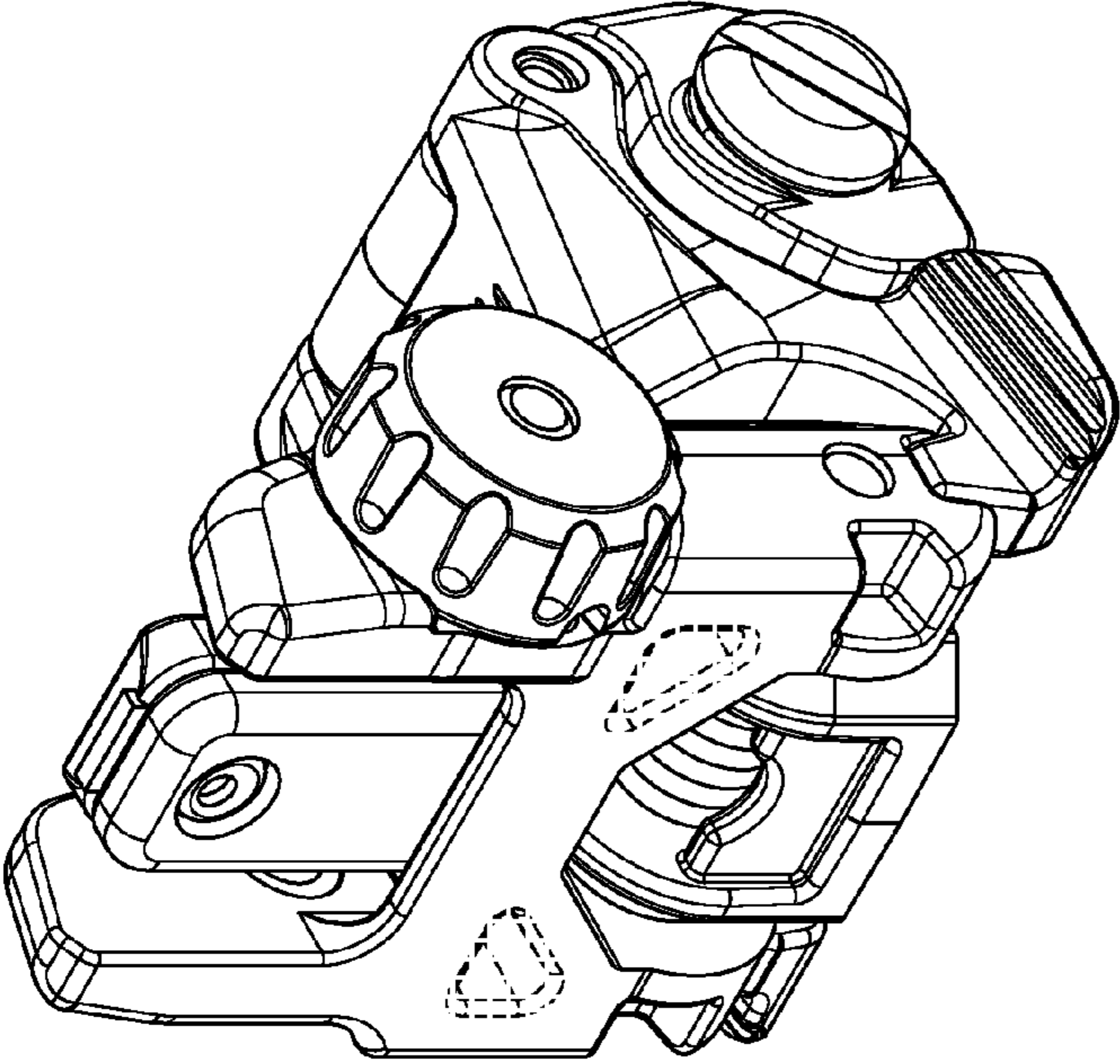
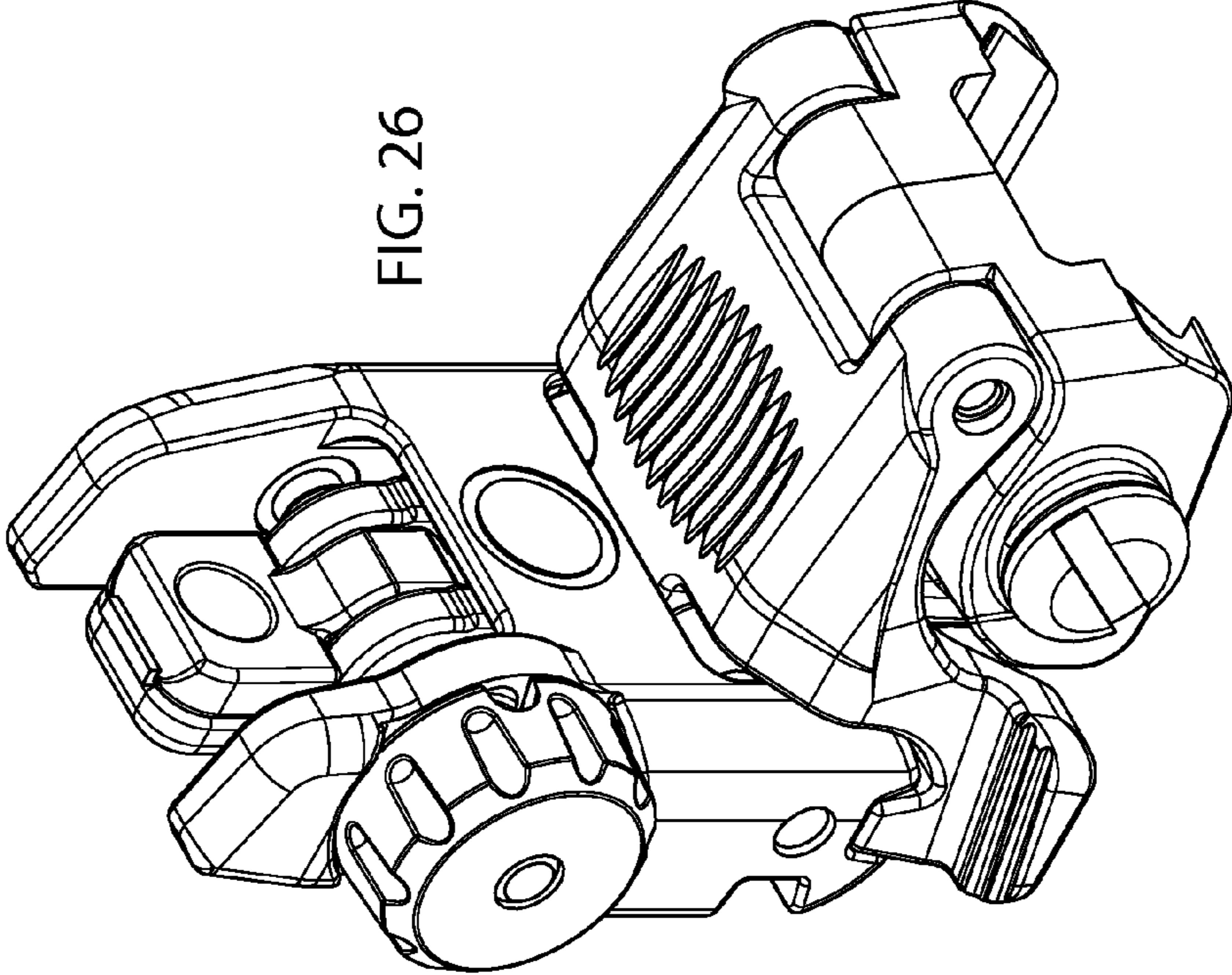


FIG. 23





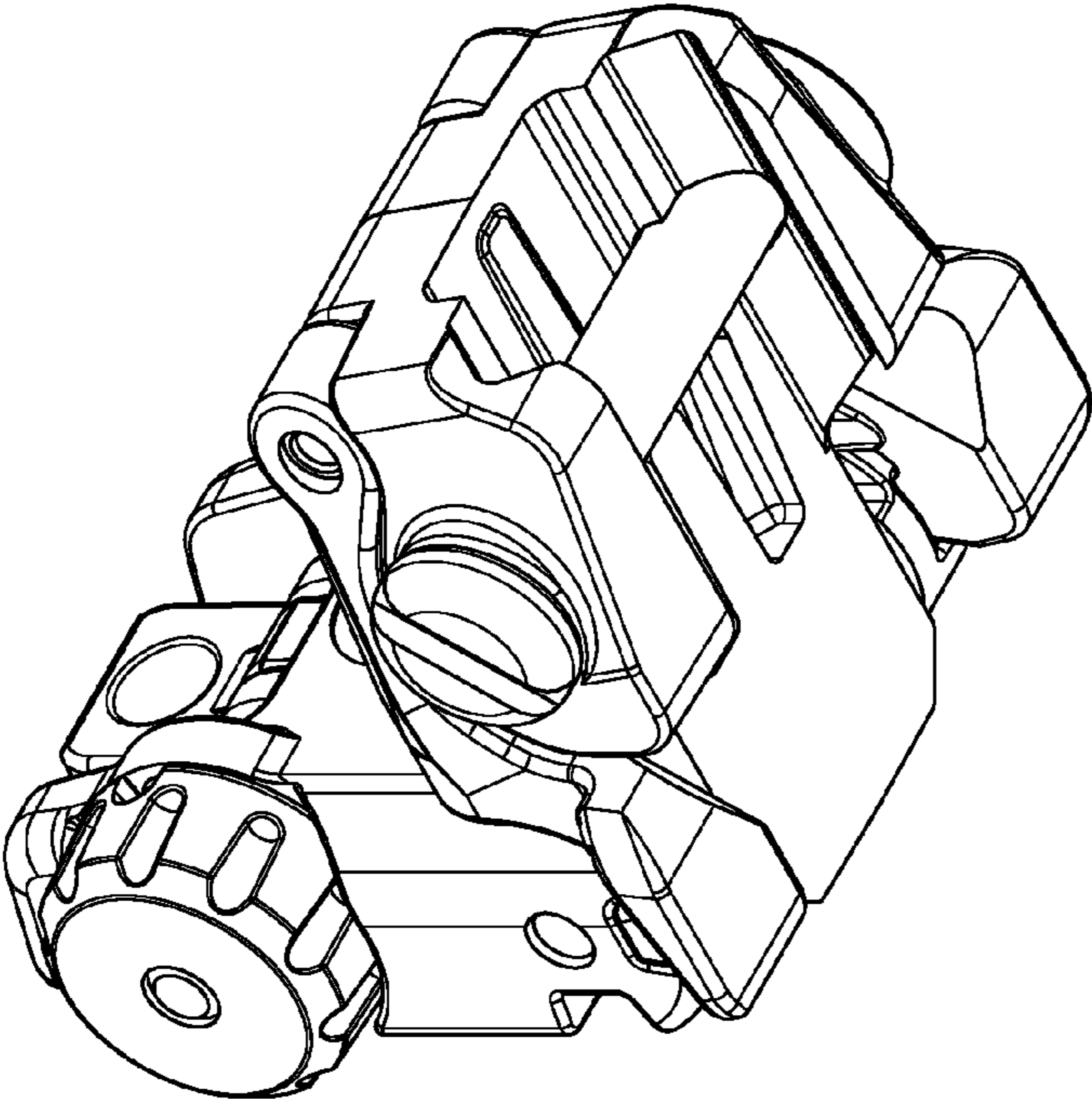


FIG. 28

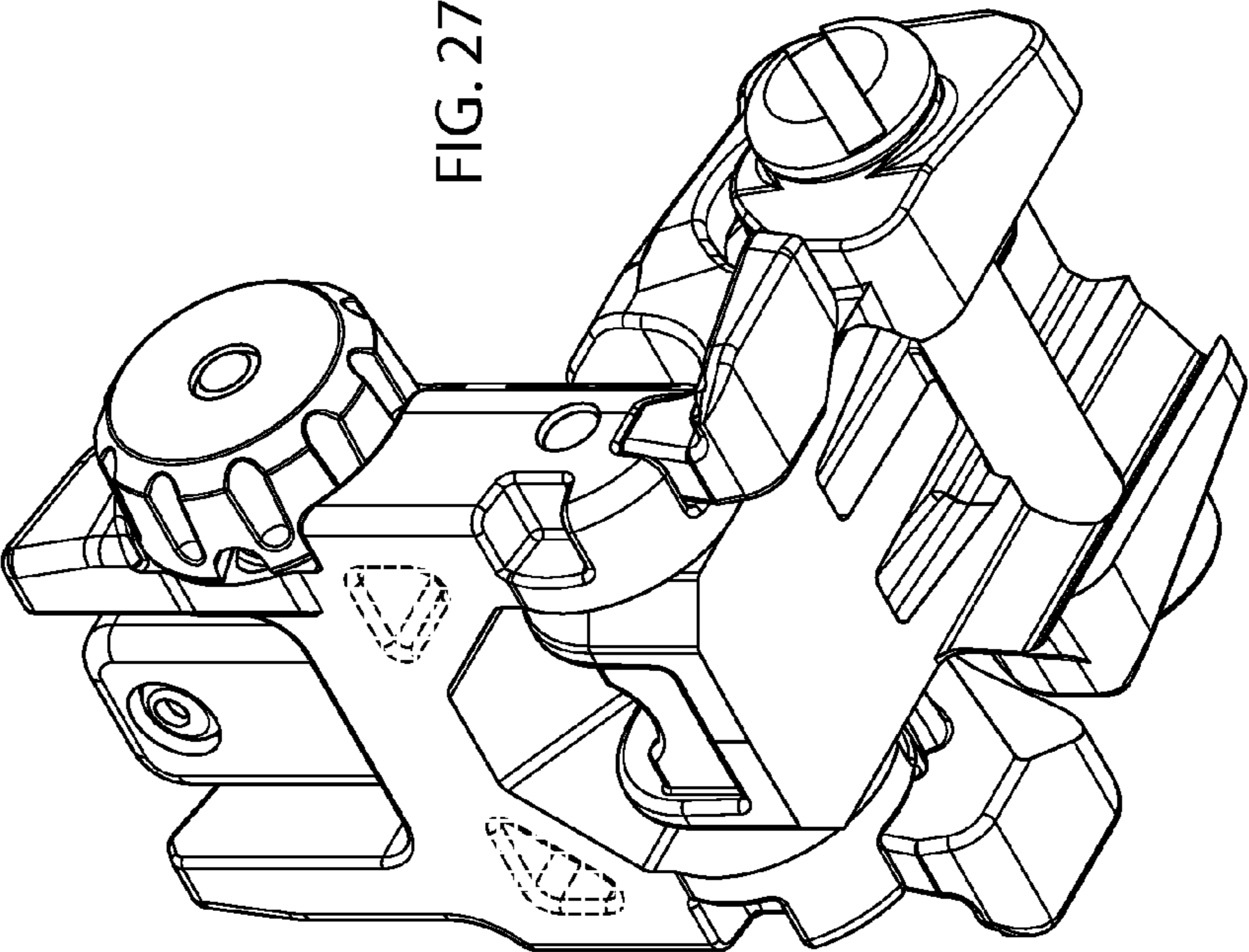


FIG. 27