



US00D648408S

(12) **United States Design Patent**
Teramoto

(10) **Patent No.:** **US D648,408 S**

(45) **Date of Patent:** **** Nov. 8, 2011**

(54) **GOLF CLUB HEAD**

(75) Inventor: **Seiichiro Teramoto**, Yukuhashi (JP)

(73) Assignee: **Aneeging Golf Ltd.**, Chiyoda-ku, Tokyo (JP)

(**) Term: **14 Years**

(21) Appl. No.: **29/383,846**

(22) Filed: **Jan. 24, 2011**

(51) **LOC (9) Cl.** **21-02**

(52) **U.S. Cl.** **D21/743**

(58) **Field of Classification Search** D21/736-746,
D21/759; 473/324-331, 340-341, 251-256
See application file for complete search history.

(56) **References Cited**

U.S. PATENT DOCUMENTS

D396,083 S *	7/1998	Sheets	D21/742
D399,911 S *	10/1998	Nicolette et al.	D21/736
D400,610 S *	11/1998	Cameron et al.	D21/742
D428,457 S *	7/2000	Rollinson et al.	D21/743
D532,468 S *	11/2006	Hettinger	D21/743
D590,463 S *	4/2009	Hettinger et al.	D21/743
D634,801 S *	3/2011	Rollinson	D21/743
D635,625 S *	4/2011	Rollinson	D21/743
D641,440 S *	7/2011	Hettinger et al.	D21/743

* cited by examiner

Primary Examiner — Mitchell Siegel

(74) *Attorney, Agent, or Firm* — Yokoi & Co., U.S.A., Inc.;
Toshiyuki Yokoi

(57) **CLAIM**

The ornamental design for a golf club head, as shown and described.

DESCRIPTION

FIG. 1 shows a front view of a golf club head showing my new design;

FIG. 2 shows a rear view thereof;

FIG. 3 shows a right side view thereof;

FIG. 4 shows a left side view thereof;

FIG. 5 shows a top view thereof;

FIG. 6 shows a bottom view thereof;

FIG. 7 shows a top, front and left side perspective view thereof;

FIG. 8 shows a top, rear and left side perspective view thereof;

FIG. 9 shows a bottom, rear and right side perspective view thereof; and,

FIG. 10 shows a top, front and left side exploded perspective view thereof.

The portions of the design shown in broken lines in FIGS. 1 to 10 are for the purpose of illustrating the environment only and form no part of the claimed design.

1 Claim, 7 Drawing Sheets

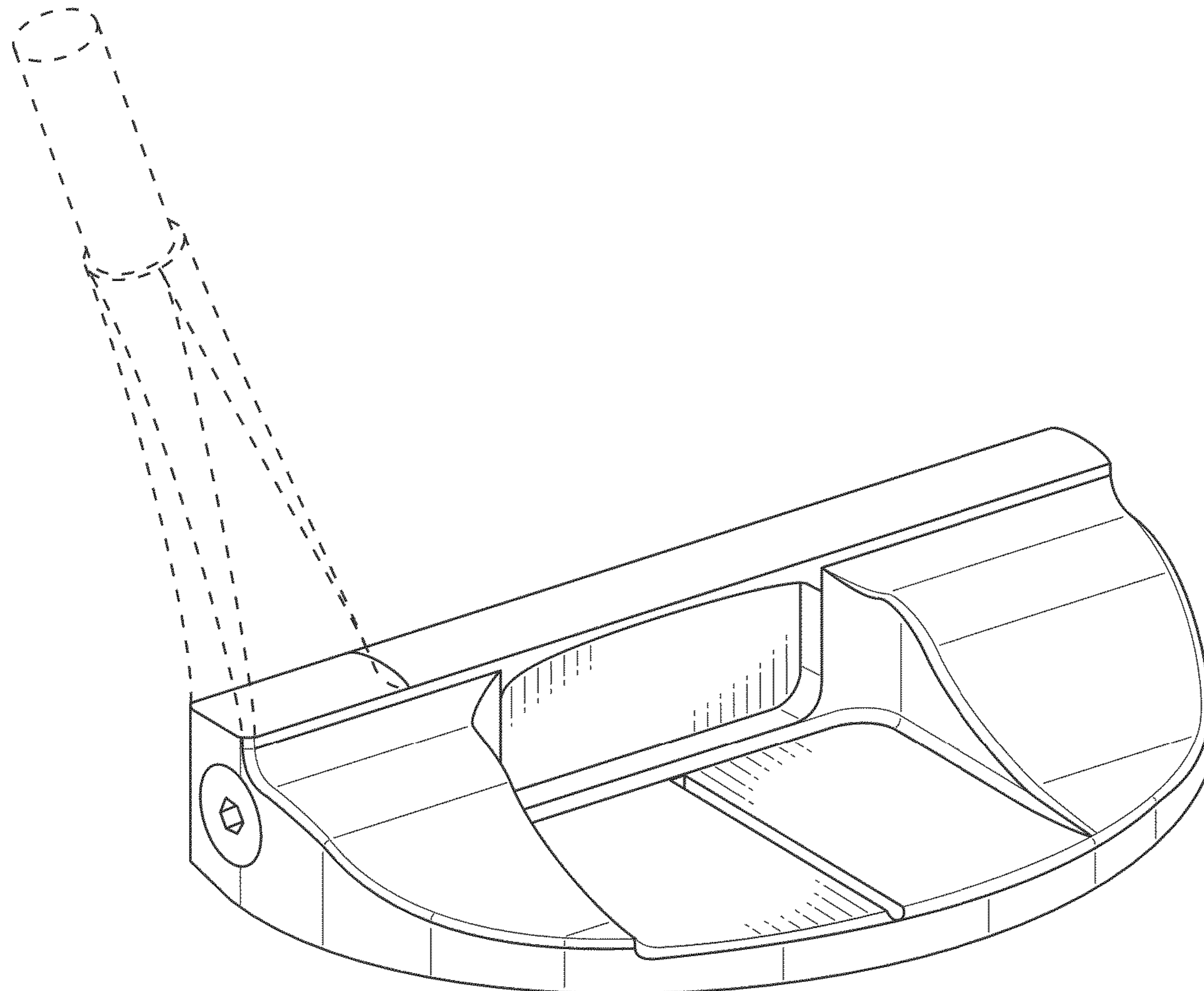


FIG. 1

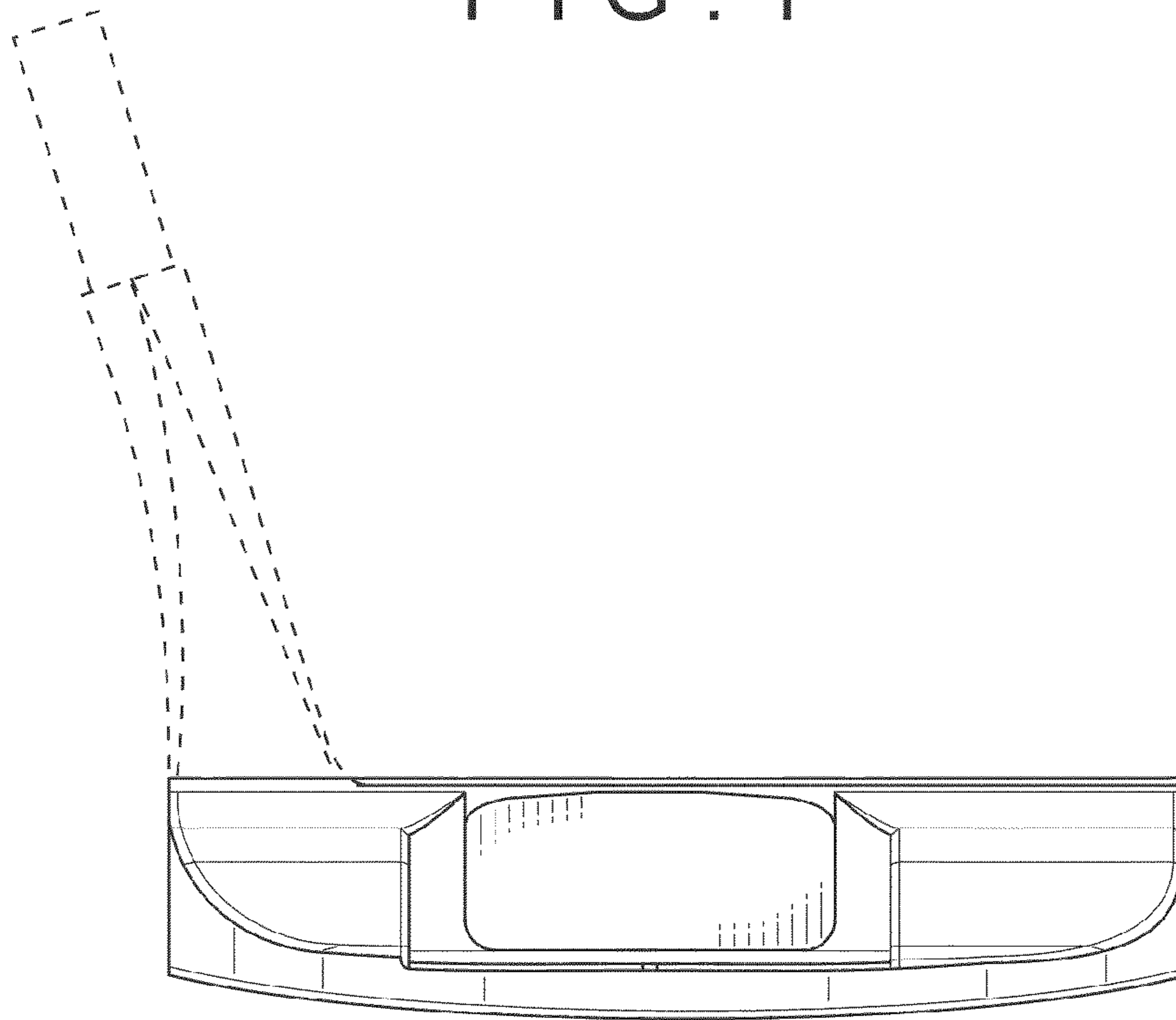


FIG. 2

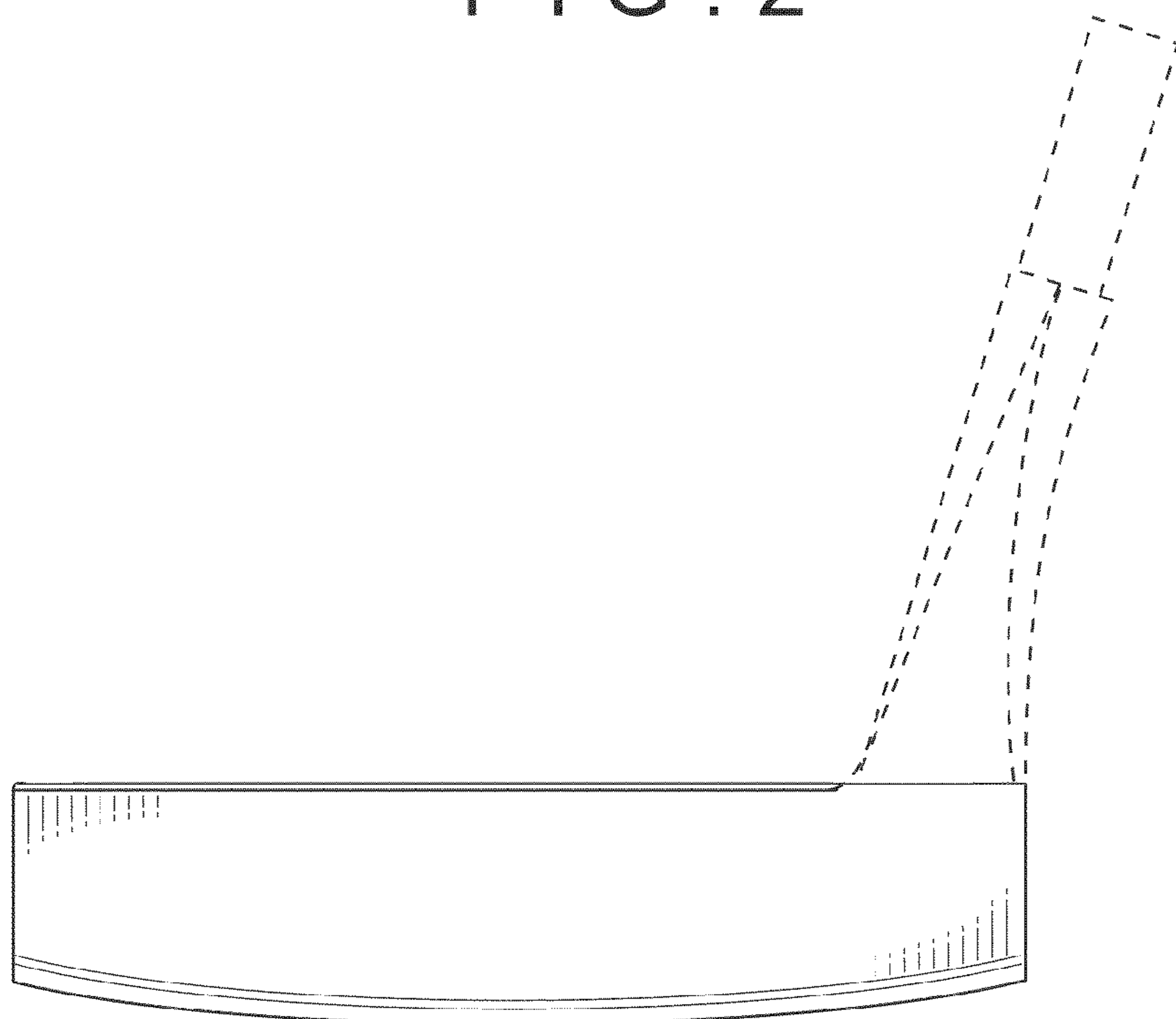


FIG. 3

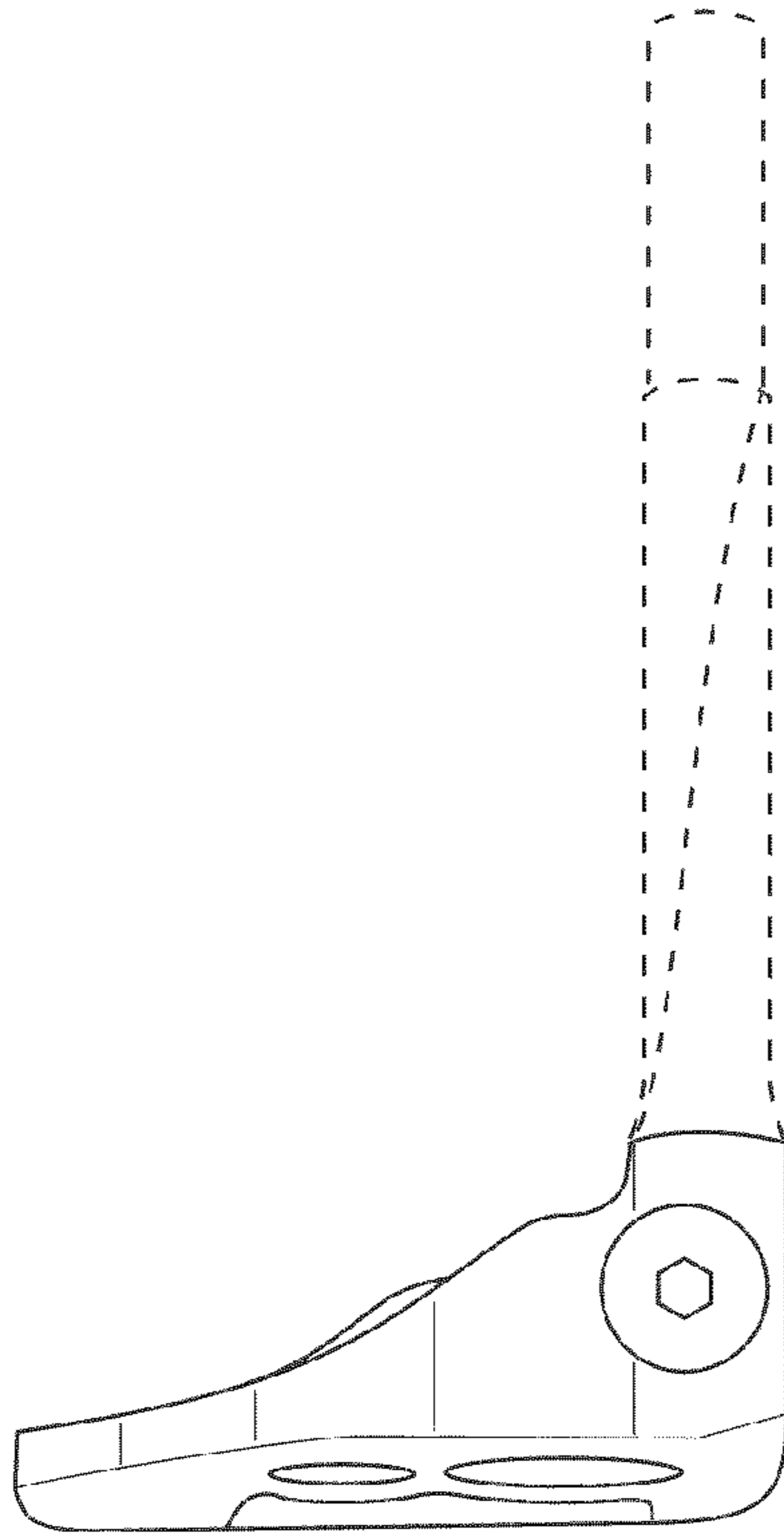


FIG. 4

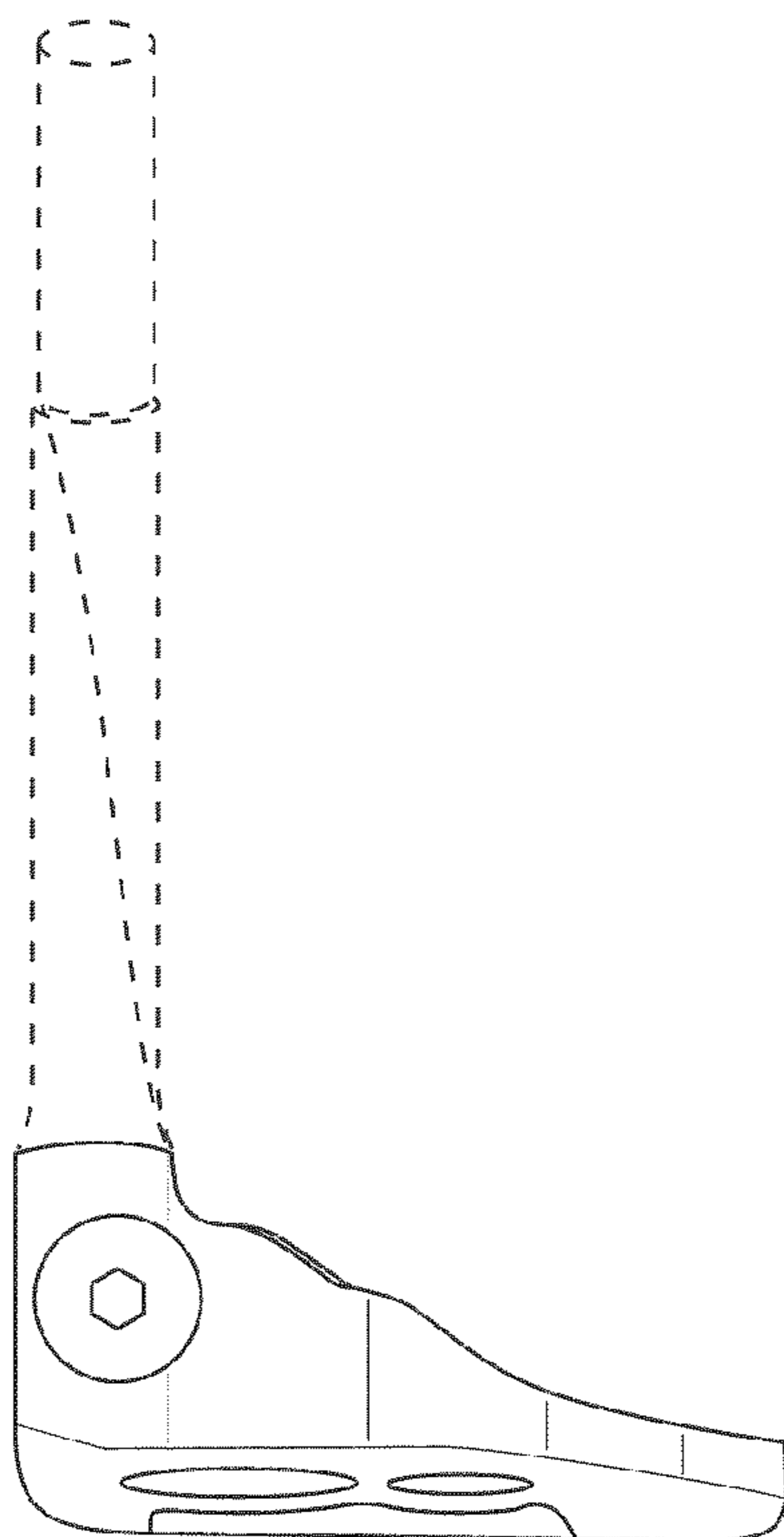


FIG. 5

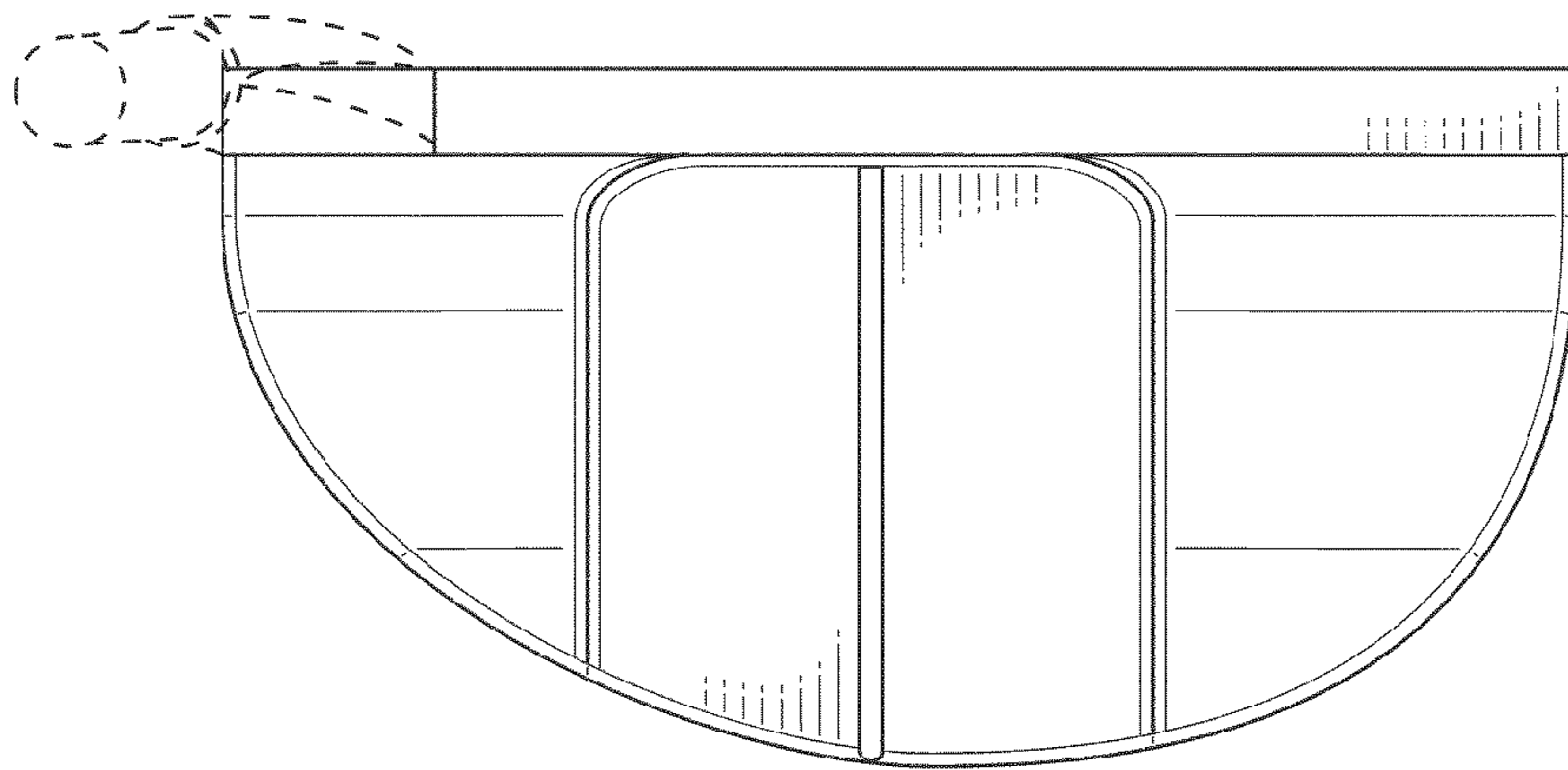


FIG. 6

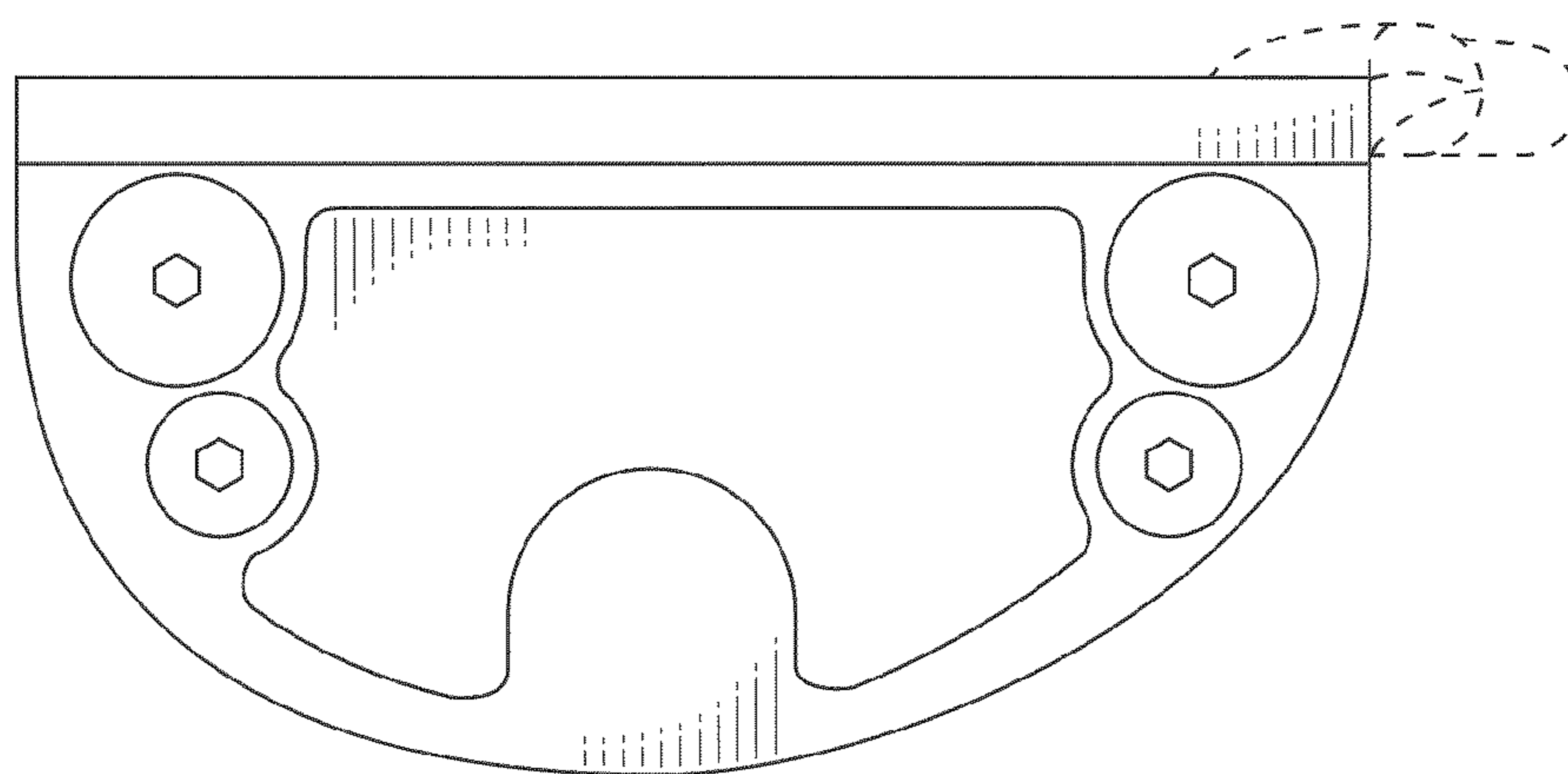


FIG. 7

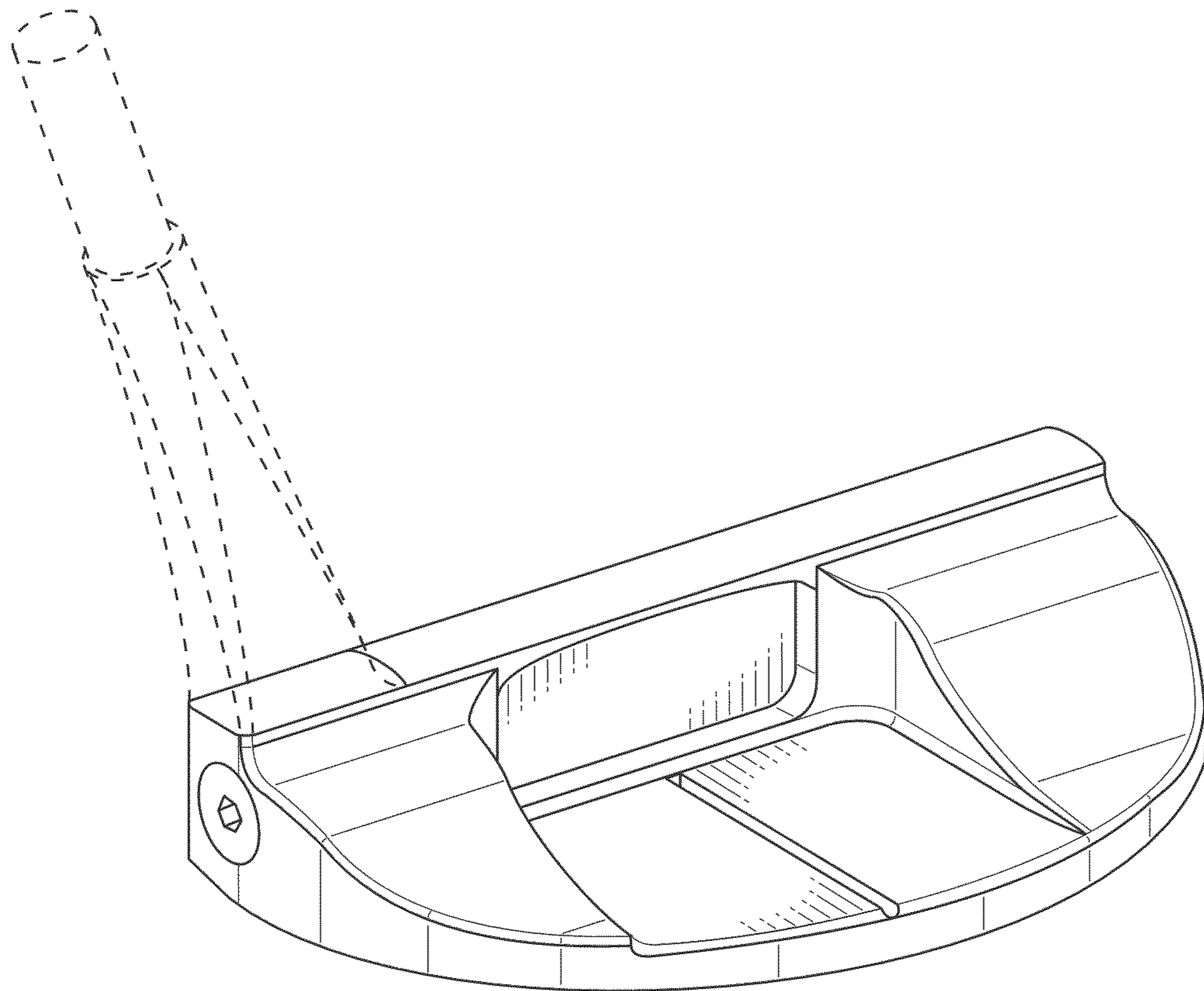


FIG. 8

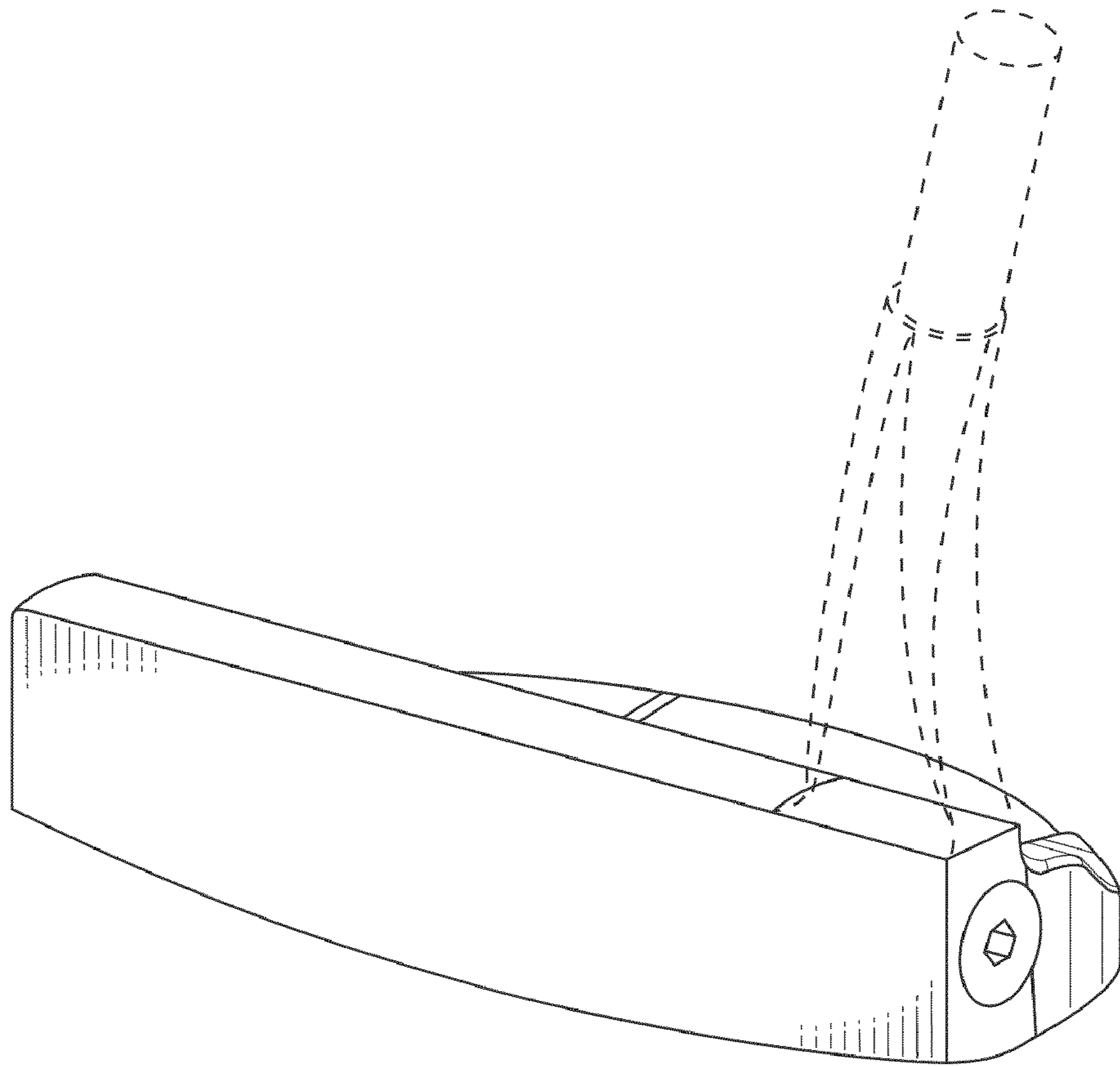


FIG. 9

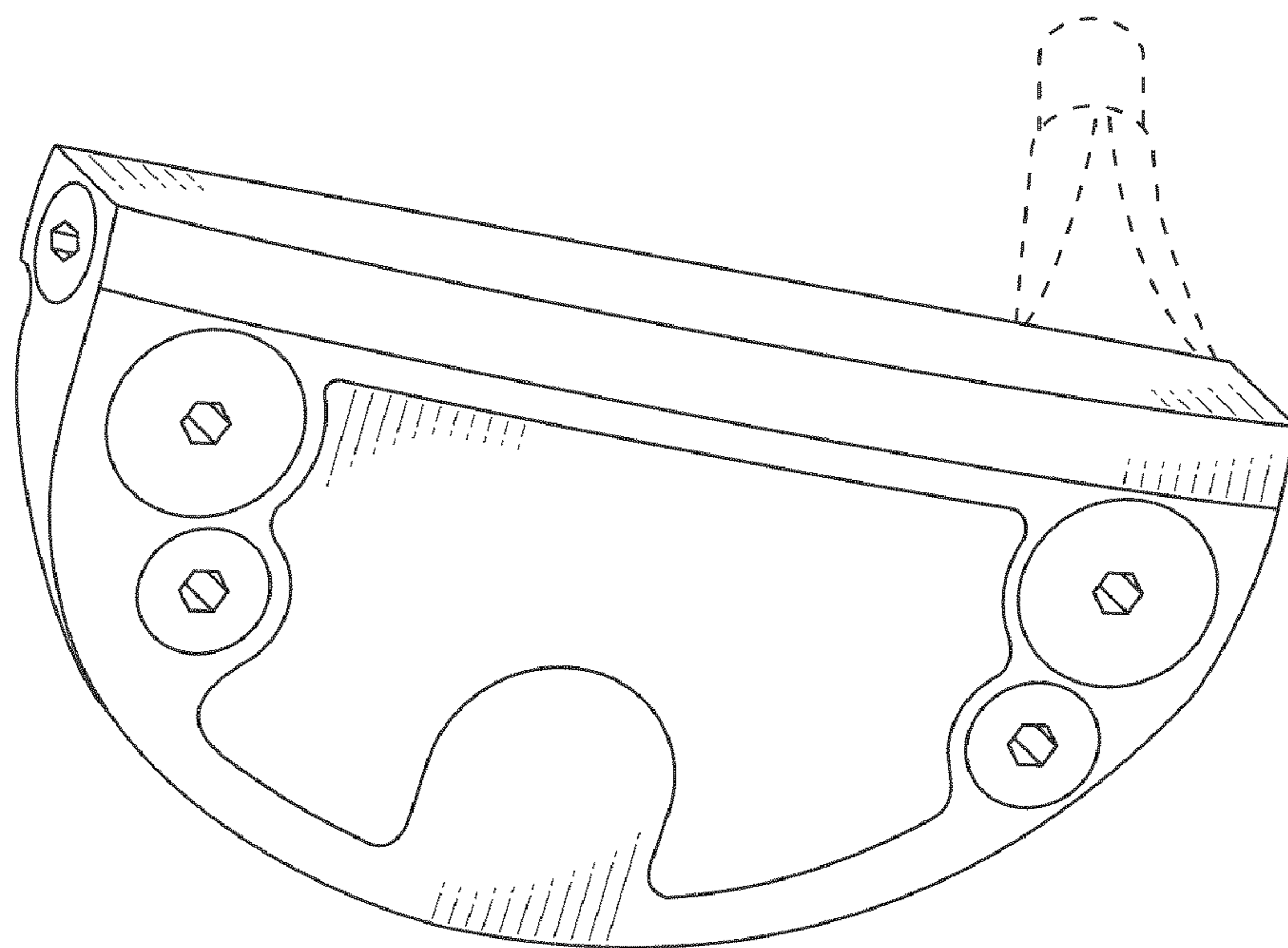


FIG. 10

