



US00D648407S

(12) **United States Design Patent**  
**Teramoto**

(10) **Patent No.:** **US D648,407 S**

(45) **Date of Patent:** **\*\* Nov. 8, 2011**

(54) **GOLF CLUB HEAD**

(75) Inventor: **Seiichiro Teramoto**, Yukuhashi (JP)

(73) Assignee: **Aneeging Golf Ltd.**, Chiyoda-ku, Tokyo (JP)

(\*\*) Term: **14 Years**

(21) Appl. No.: **29/383,845**

(22) Filed: **Jan. 24, 2011**

(51) **LOC (9) Cl.** ..... **21-02**

(52) **U.S. Cl.** ..... **D21/743**

(58) **Field of Classification Search** ..... D21/736-746,  
D21/759; 473/324-331, 340-341, 251-256  
See application file for complete search history.

(56) **References Cited**

**U.S. PATENT DOCUMENTS**

D207,227 S *	3/1967	Solheim	.....	D21/739
D239,951 S *	5/1976	Carrier	.....	D21/742
D389,207 S *	1/1998	Cameron	.....	D21/742
D443,906 S *	6/2001	Hettinger et al.	.....	D21/743
D498,276 S *	11/2004	Schweigert et al.	.....	D21/743
D521,580 S *	5/2006	Burrows	.....	D21/736
D548,294 S *	8/2007	Nguyen et al.	.....	D21/736
D552,196 S *	10/2007	Hueber	.....	D21/742
D562,921 S *	2/2008	Nguyen et al.	.....	D21/742
D583,887 S *	12/2008	Cameron	.....	D21/743

D590,462 S *	4/2009	Hettinger et al.	.....	D21/743
D638,892 S *	5/2011	Hettinger et al.	.....	D21/743
D643,893 S *	8/2011	Rollinson	.....	D21/742

\* cited by examiner

*Primary Examiner* — Mitchell Siegel

(74) *Attorney, Agent, or Firm* — Yokoi & Co., U.S.A., Inc.;  
Toshiyuki Yokoi

(57) **CLAIM**

The ornamental design for a golf club head, as shown and described.

**DESCRIPTION**

FIG. 1 shows a front view of a golf club head showing my new design;

FIG. 2 shows a rear view thereof;

FIG. 3 shows a right side view thereof;

FIG. 4 shows a left side view thereof;

FIG. 5 shows a top view thereof;

FIG. 6 shows a bottom view thereof;

FIG. 7 shows a top, front and left side perspective view thereof;

FIG. 8 shows a top, rear and left side perspective view thereof;

FIG. 9 shows a bottom, rear and left side perspective view thereof; and,

FIG. 10 shows a top, front and left side exploded perspective view thereof.

The portions of the design shown in broken lines in FIGS. 1 to 10 are for the purpose of illustrating the environment only and form no part of the claimed design.

**1 Claim, 7 Drawing Sheets**

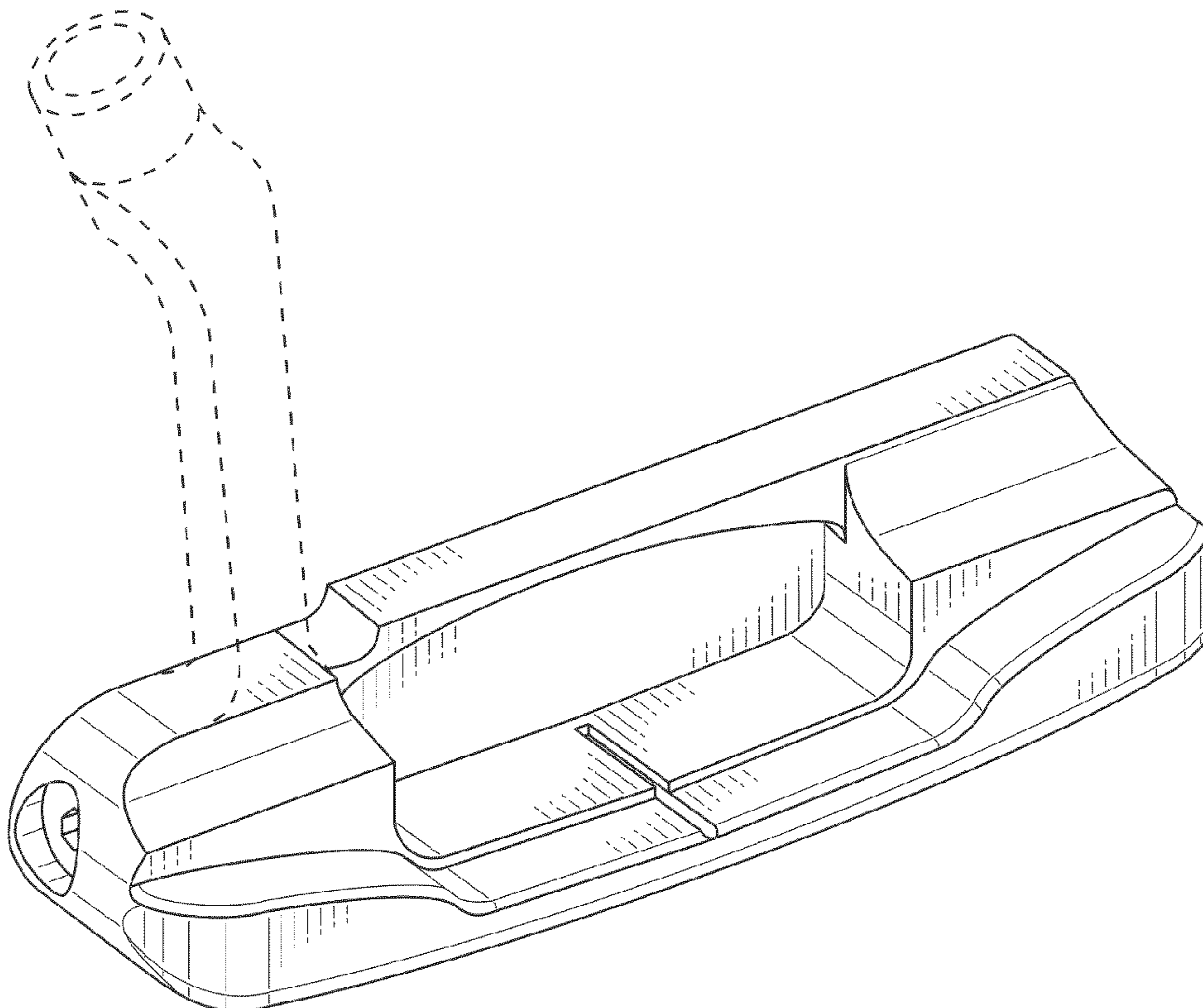


FIG. 1

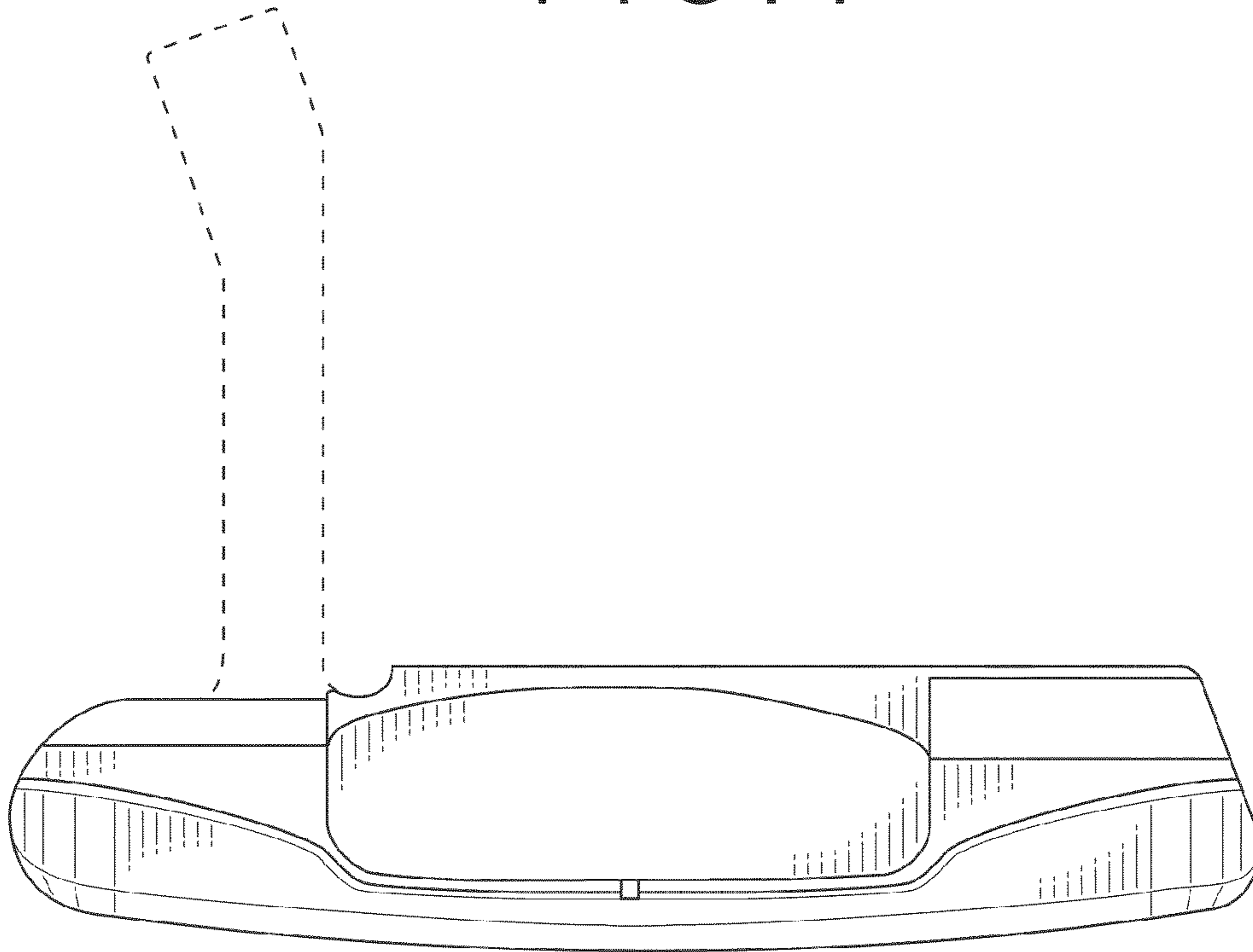


FIG. 2

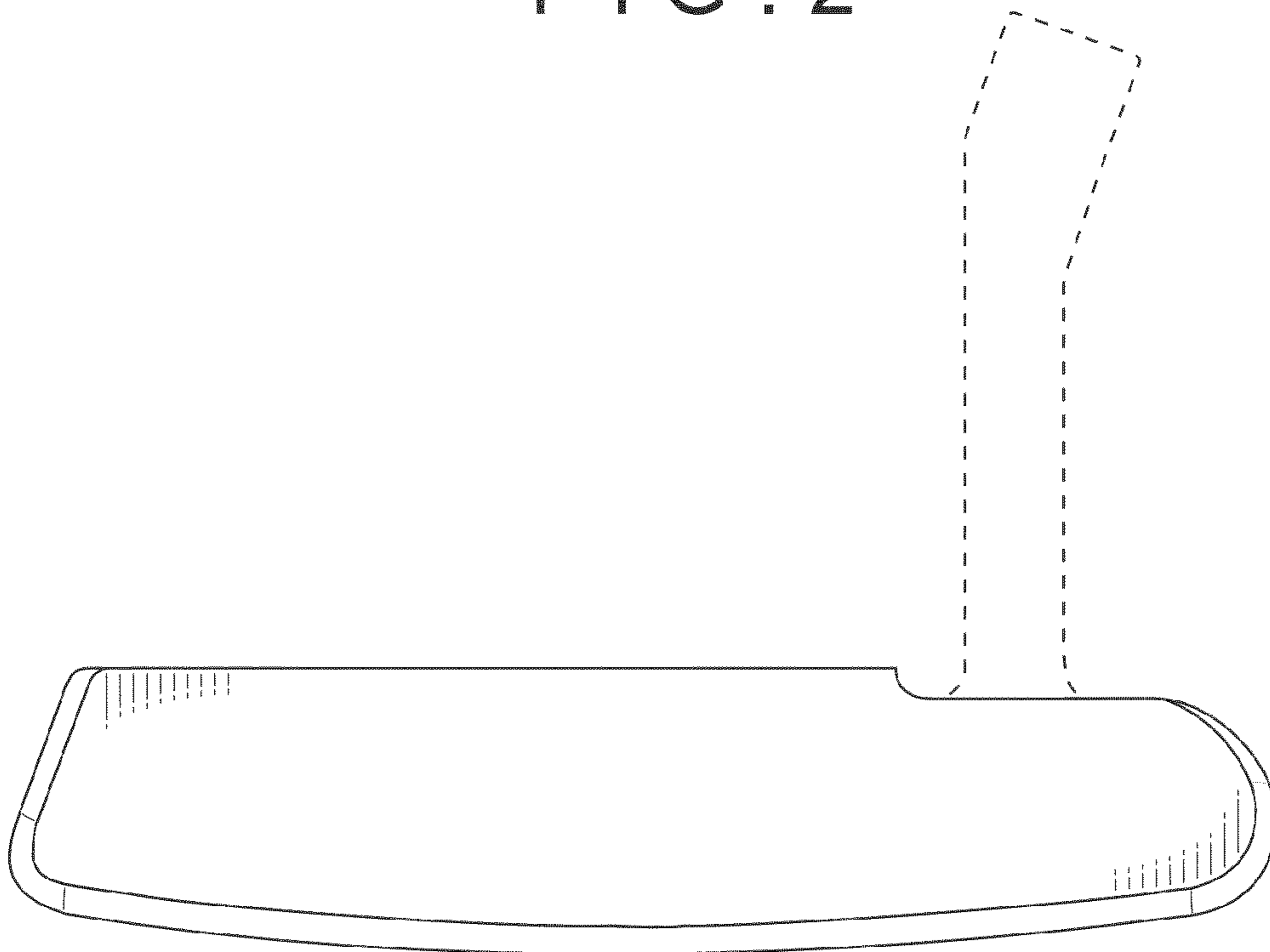


FIG. 3

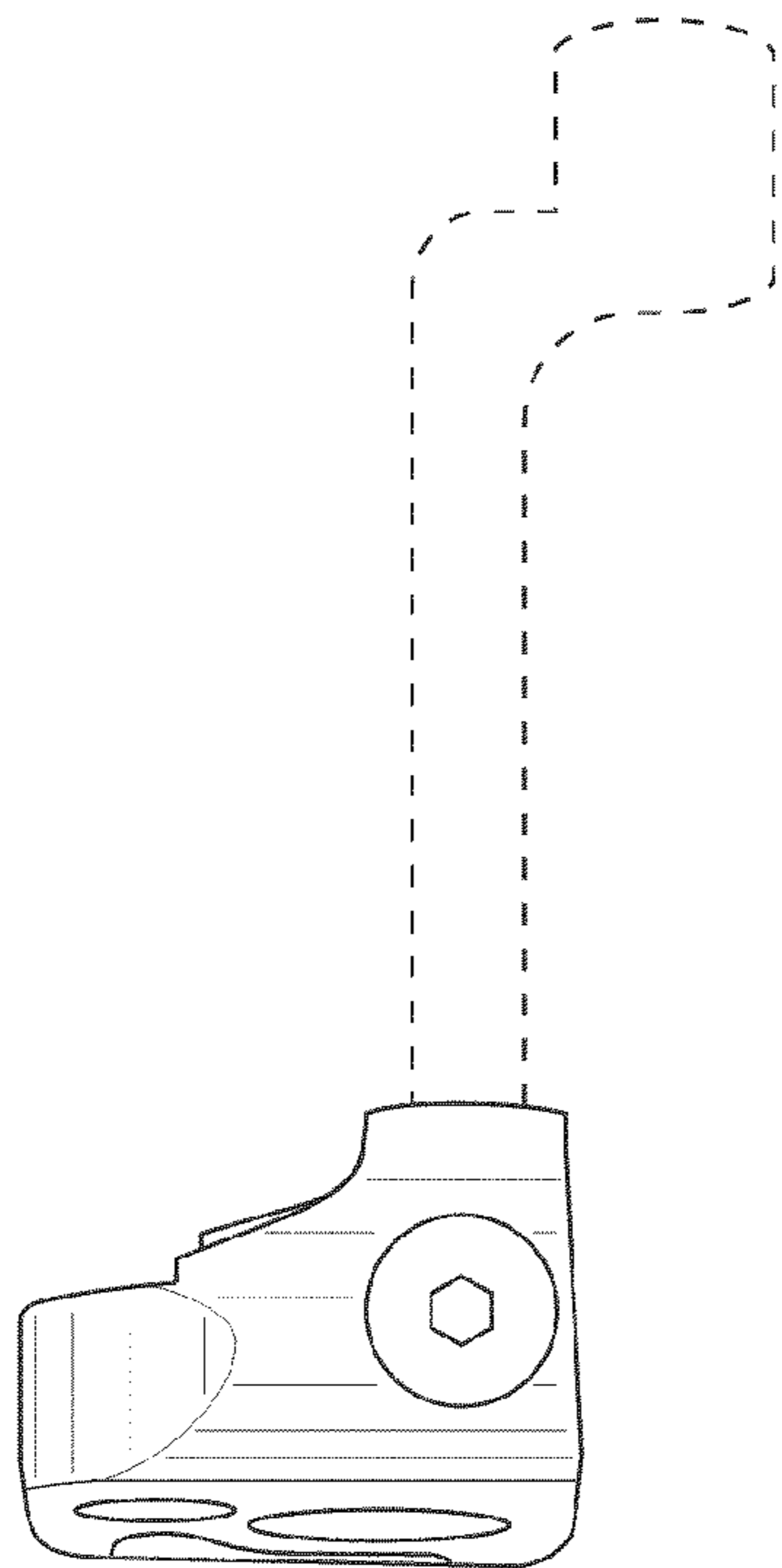


FIG. 4

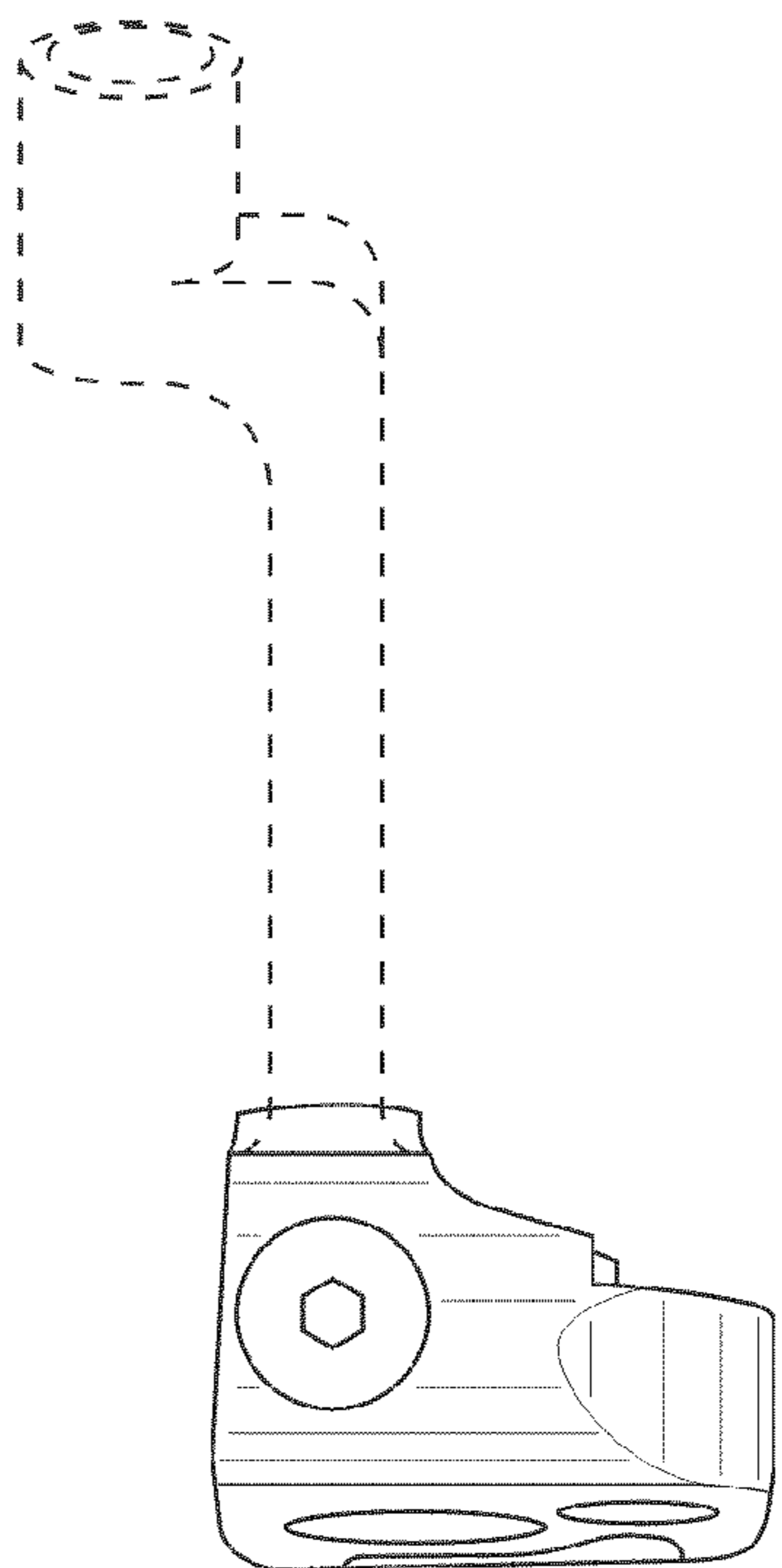


FIG. 5

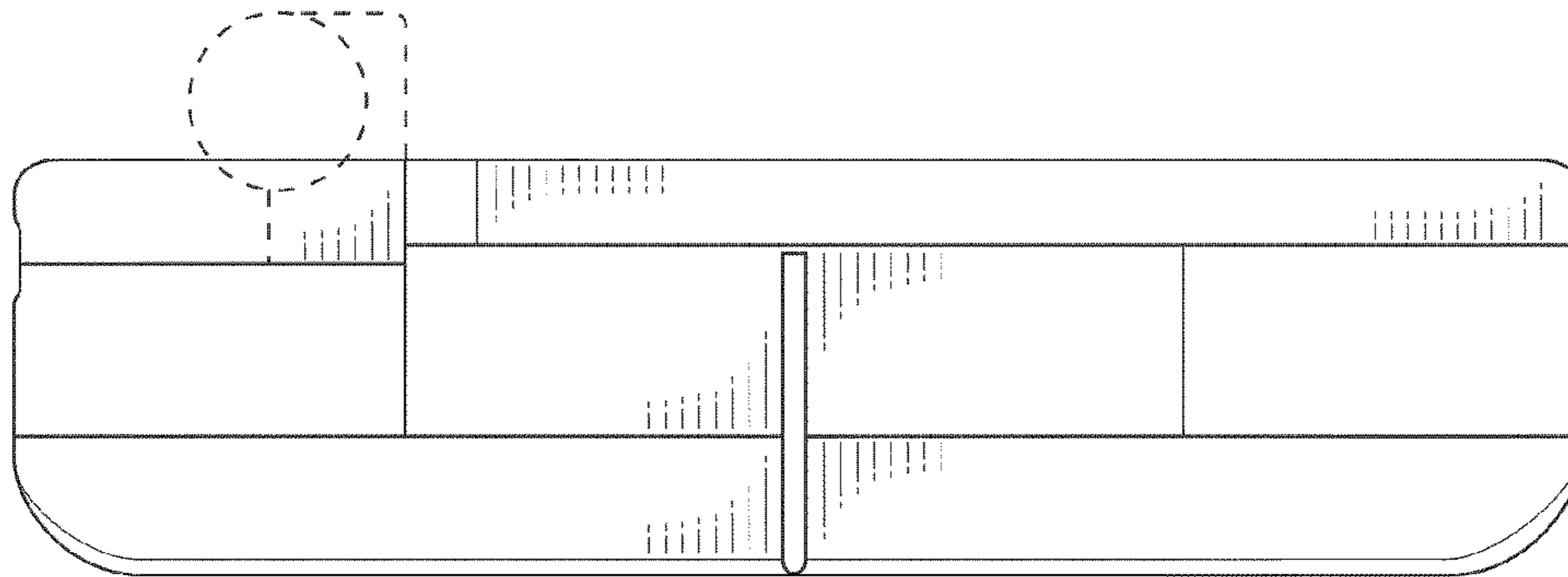


FIG. 6

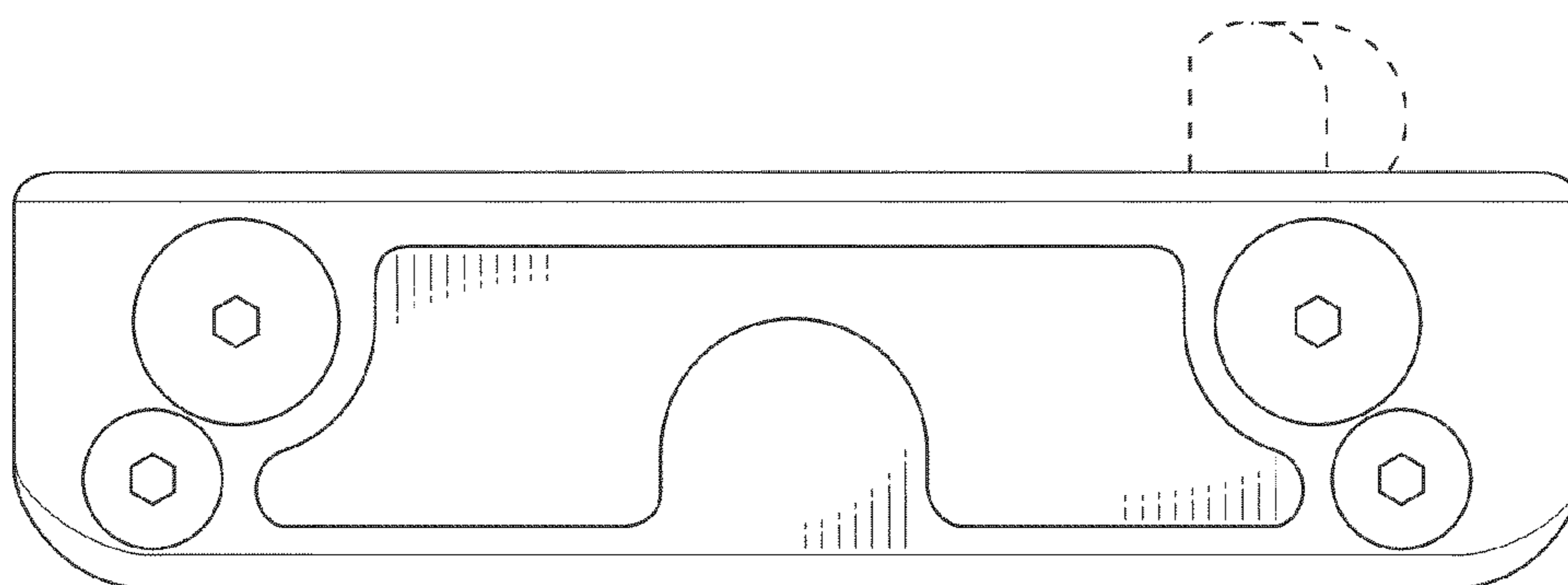


FIG. 7

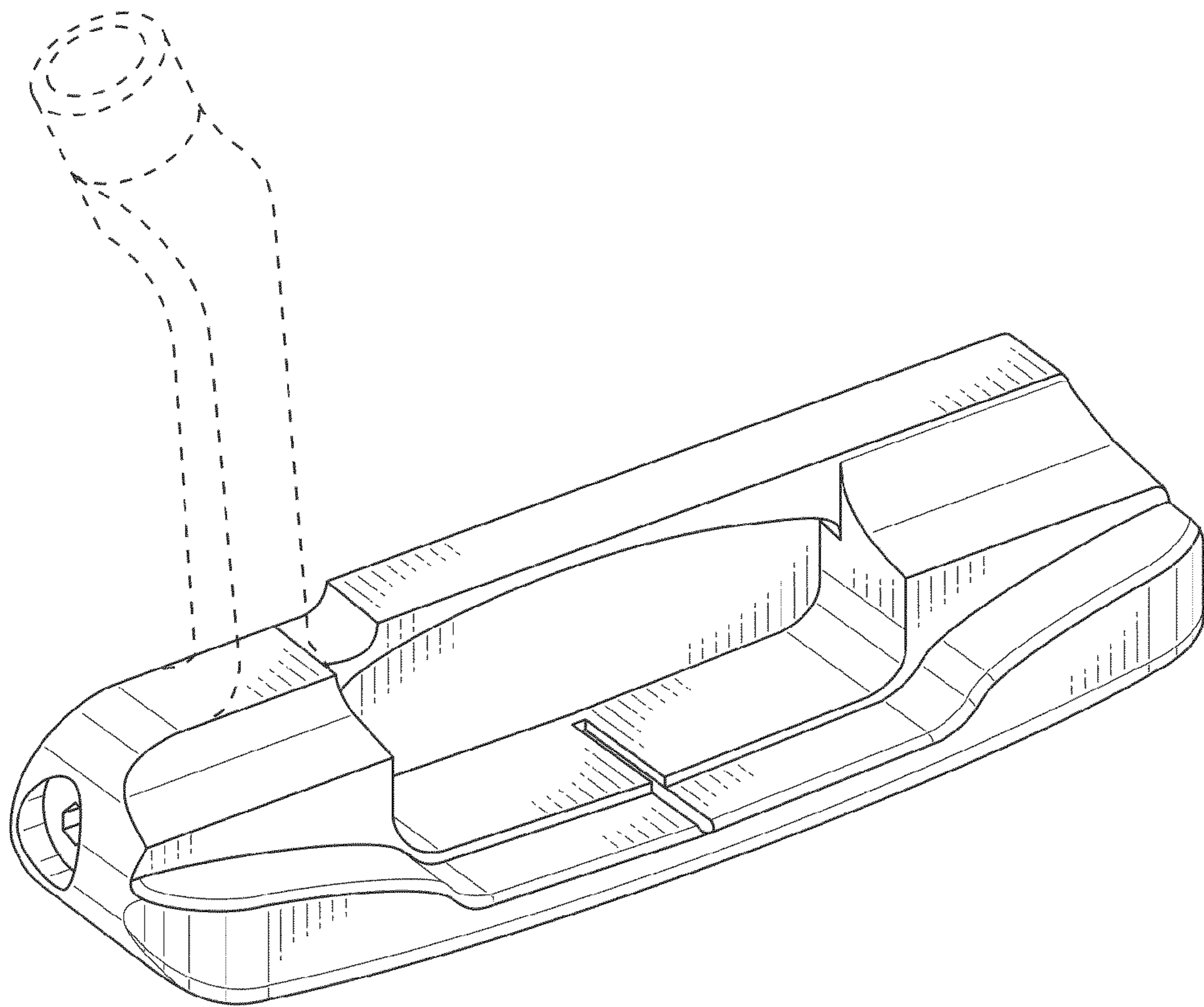




FIG. 8

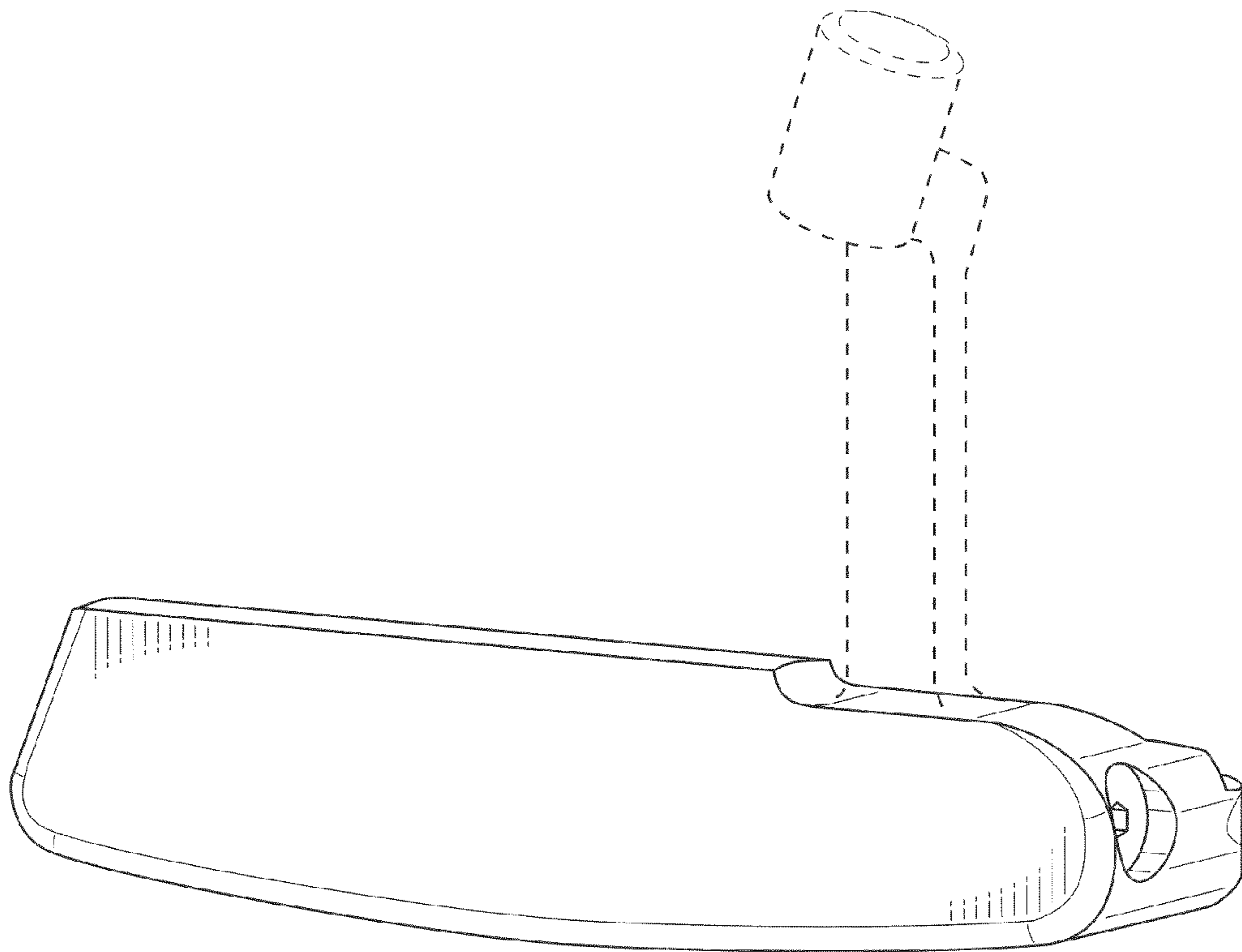


FIG. 9

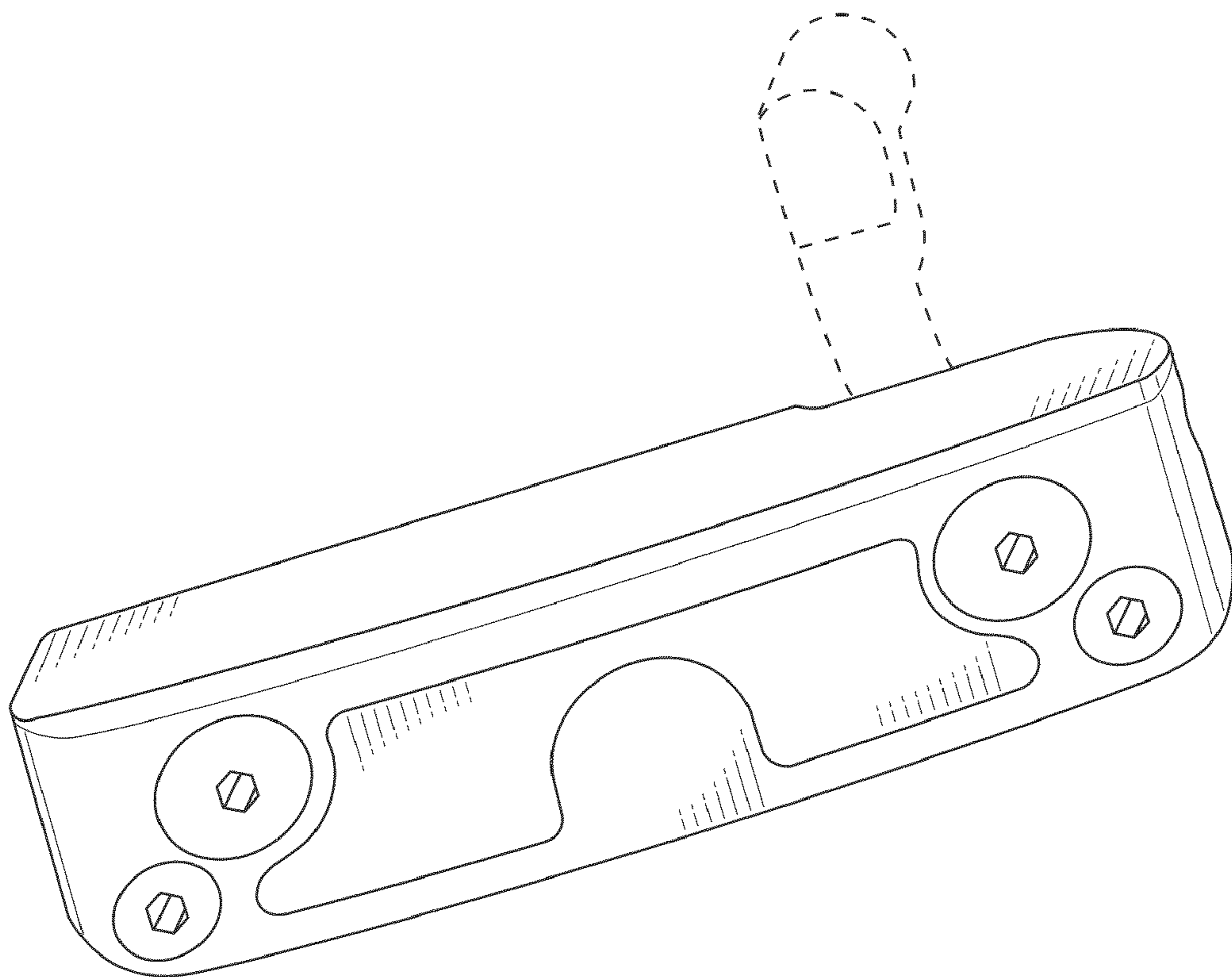


FIG. 10

