



US00D648403S

(12) **United States Design Patent**  
**Haniffee**

(10) **Patent No.:** **US D648,403 S**

(45) **Date of Patent:** **\*\* Nov. 8, 2011**

(54) **ROCKABLE PLATFORM**

(76) Inventor: **Sean Haniffee**, Bridgewater, VA (US)

(\*\*) Term: **14 Years**

(21) Appl. No.: **29/365,228**

(22) Filed: **Jul. 6, 2010**

(51) **LOC (9) Cl.** ..... **21-02**

(52) **U.S. Cl.** ..... **D21/688**

(58) **Field of Classification Search** ..... D21/662,  
D21/686-689; 482/26, 34, 51, 68, 71, 79,  
482/142, 146; 473/115, 218, 269-271  
See application file for complete search history.

(56) **References Cited**

**U.S. PATENT DOCUMENTS**

D134,341	S	11/1942	Churchill	
2,764,411	A	9/1956	Washburn, Jr.	
2,803,461	A	8/1957	Coplin	
2,950,120	A	8/1960	Stewart	
3,188,087	A *	6/1965	Larson, Jr.	273/115
3,201,120	A *	8/1965	Moravetz	482/26
D202,796	S *	11/1965	Patterson	D21/688
3,279,794	A *	10/1966	Jenkins	472/114
3,416,792	A	12/1968	Morgan	
3,488,049	A	1/1970	Sasser, Jr.	
3,612,520	A	10/1971	Chang	
D227,584	S *	7/1973	Perez	D21/688
3,967,820	A	7/1976	Harper	
4,088,325	A	5/1978	Sutton	
D255,372	S *	6/1980	Tidmore	D21/688
4,206,558	A	6/1980	Bivona	
4,505,477	A	3/1985	Wilkinson	
4,605,224	A	8/1986	Torii	
4,759,542	A	7/1988	Hudec	
4,905,994	A	3/1990	Hartz	
4,911,440	A	3/1990	Hyman	
D315,584	S *	3/1991	Gappa et al.	D21/688
D319,084	S *	8/1991	Bush	D21/688
5,048,823	A	9/1991	Bean	
5,190,506	A	3/1993	Zubik	
5,203,279	A	4/1993	Eversdyk	
5,328,421	A	7/1994	Stanalajczo	

5,385,343	A	1/1995	Davis	
D365,610	S *	12/1995	Fraser	D21/688
5,643,164	A	7/1997	Teff	
D383,510	S *	9/1997	Bernardson	D21/688
D405,135	S *	2/1999	Scott	D21/688
5,897,474	A	4/1999	Romero	
6,422,872	B1	7/2002	Outlaw	
6,447,429	B1 *	9/2002	Chen et al.	482/79
6,705,977	B1	3/2004	Ziak	
6,945,920	B1 *	9/2005	Kemery et al.	482/146
D526,369	S *	8/2006	Van Straaten	D21/686
7,175,577	B2 *	2/2007	Greenspan et al.	482/146

(Continued)

*Primary Examiner* — Susan E Krakower

(74) *Attorney, Agent, or Firm* — The Compton Law Firm, P.C.; Scott D. Compton

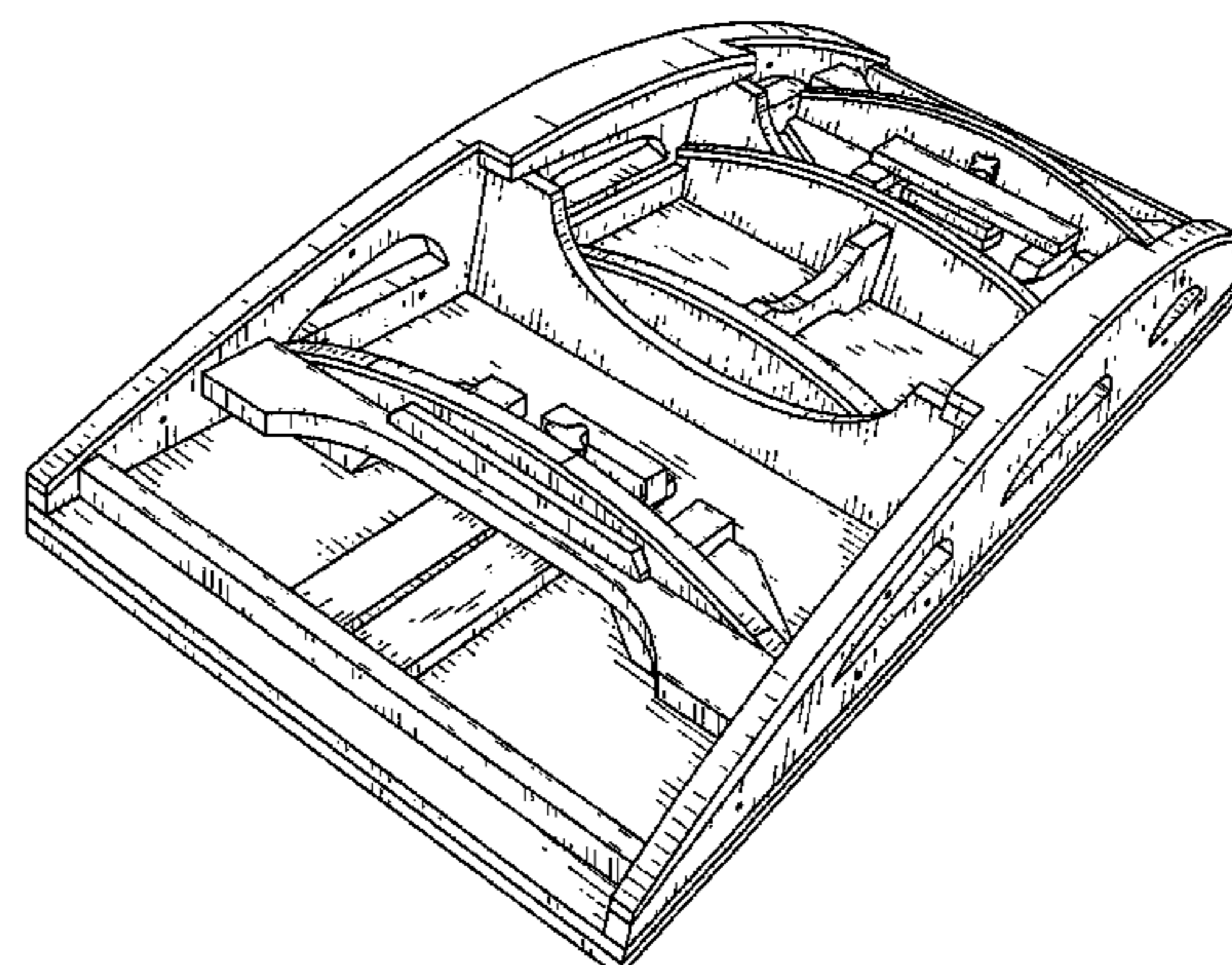
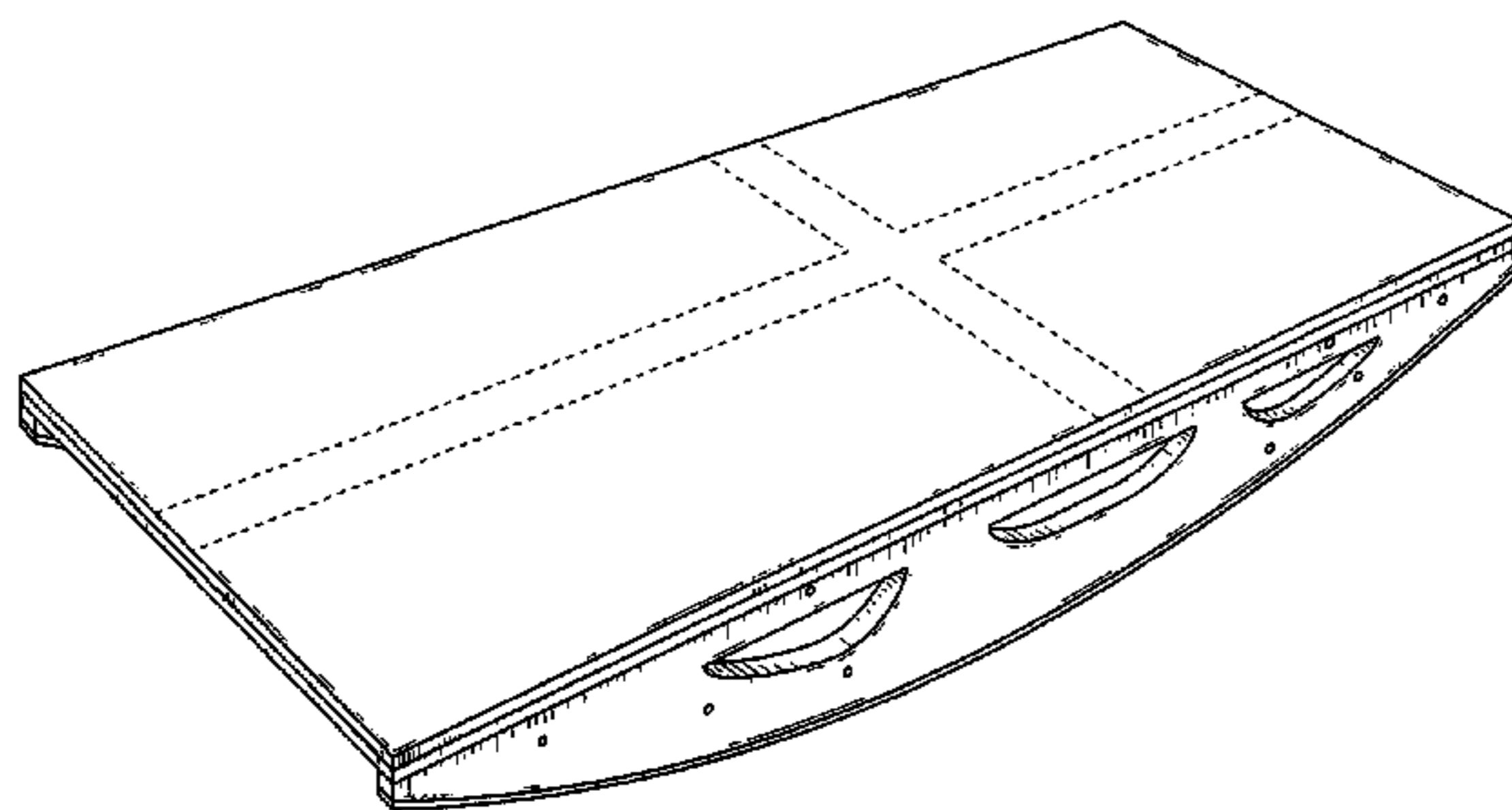
(57) **CLAIM**

The ornamental design for a rockable platform, as shown and described.

**DESCRIPTION**

FIG. 1 is a top perspective view of a rockable platform showing my new design;  
 FIG. 2 is an enlarged bottom perspective view of the rockable platform;  
 FIG. 3 is a top view of the rockable platform; and,  
 FIG. 4 is a bottom view of the rockable platform;  
 FIG. 5 is a side elevational view of the rockable platform, the right and left sides being mirror images of one another;  
 FIG. 6 is an end elevational view of the rockable platform, the two ends of the rockable platform being mirror images of one another;  
 FIG. 7 is a side elevational view of the rockable platform shown in condition of use; and,  
 FIG. 8 is a side elevational view of the rockable platform shown in condition of use.  
 The broken lines illustrate environmental structure and portions of the rockable platform which form no part of the claimed design.

**1 Claim, 6 Drawing Sheets**



# US D648,403 S

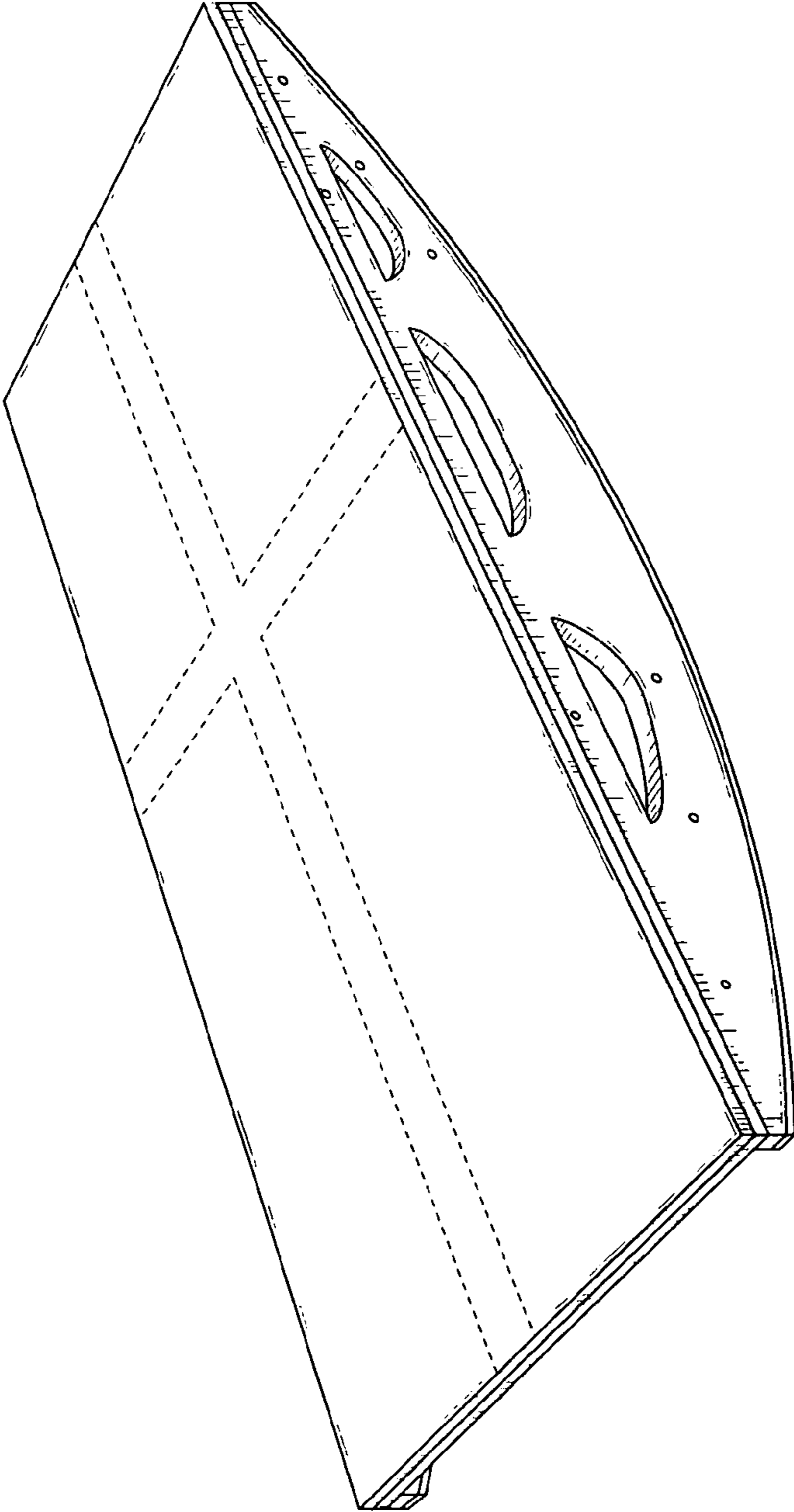
Page 2

---

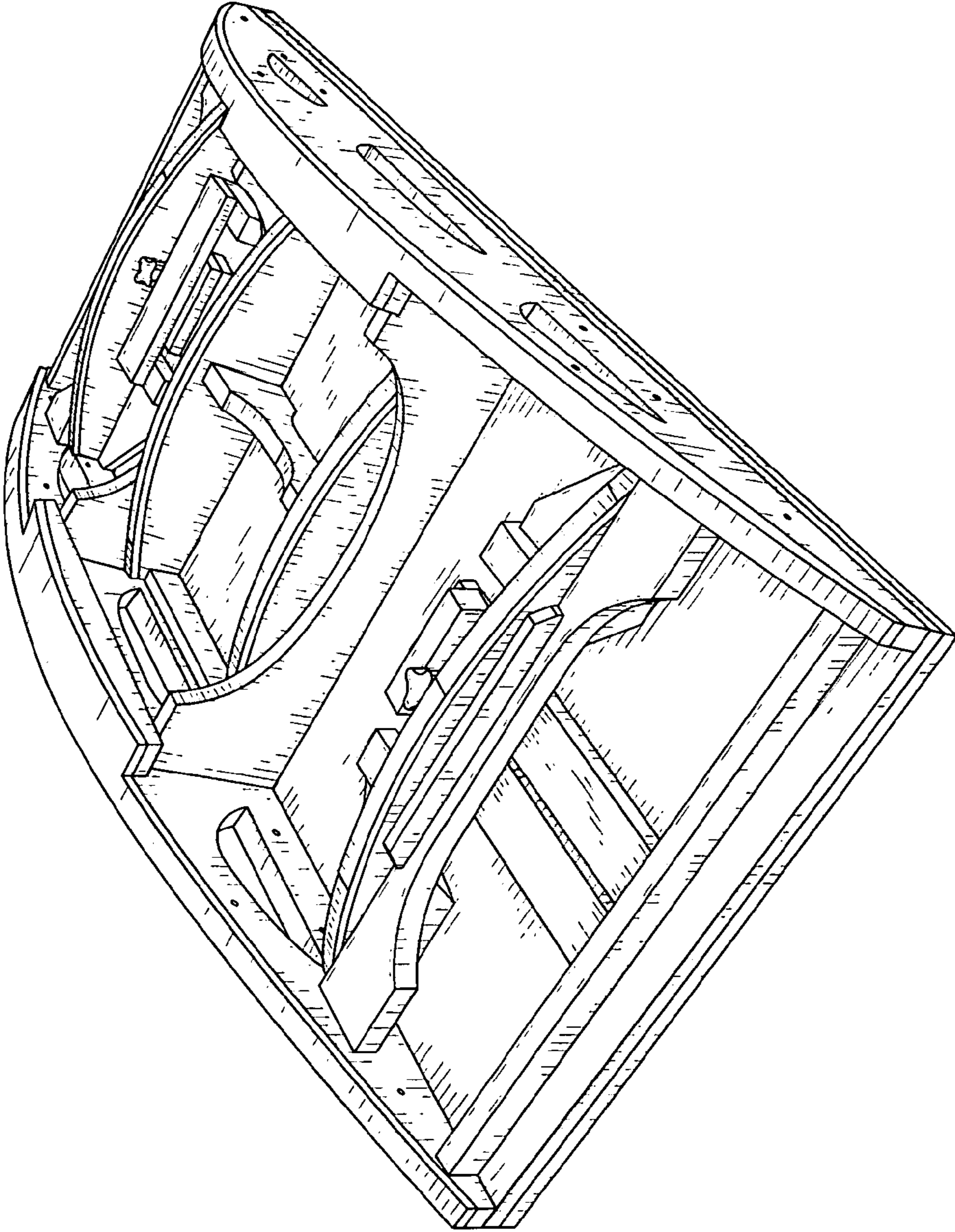
## U.S. PATENT DOCUMENTS

7,479,097	B2 *	1/2009	Rosborough et al. ....	482/146	2004/0014571	A1	1/2004	Haynes
D604,374	S *	11/2009	Bizzell .....	D21/688	2005/0101441	A1	5/2005	Rosborough
7,614,987	B2	11/2009	Guadagno		2006/0142099	A1	6/2006	Trucks
7,625,294	B1	12/2009	Isaac		2007/0202970	A1	8/2007	Miller
7,632,218	B2 *	12/2009	Sannes et al. ....	482/51	2008/0020856	A1	1/2008	Rosa
7,775,952	B1 *	8/2010	Curran et al. ....	482/146	2009/0029789	A1	1/2009	Davies
2004/0009859	A1	1/2004	Gottlieb		2009/0197748	A1	8/2009	Smith

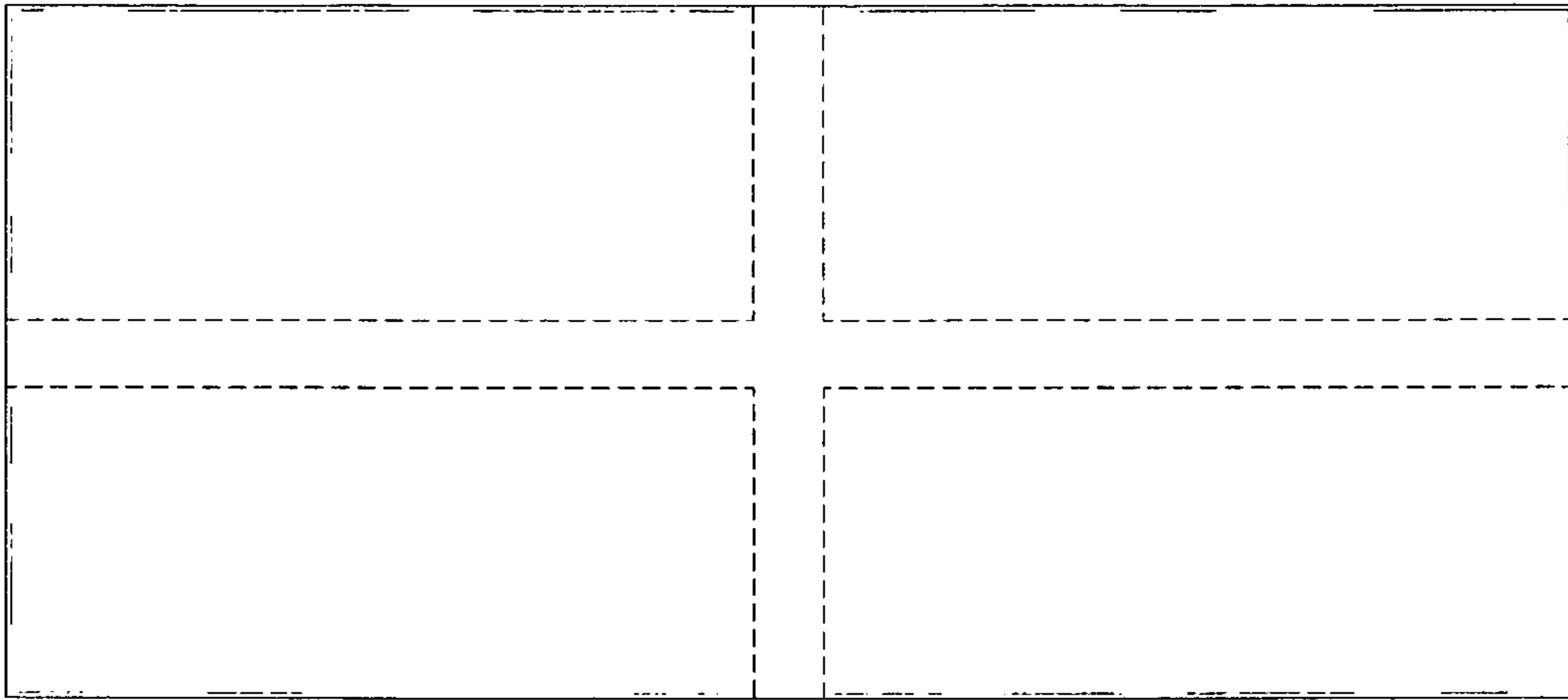
\* cited by examiner



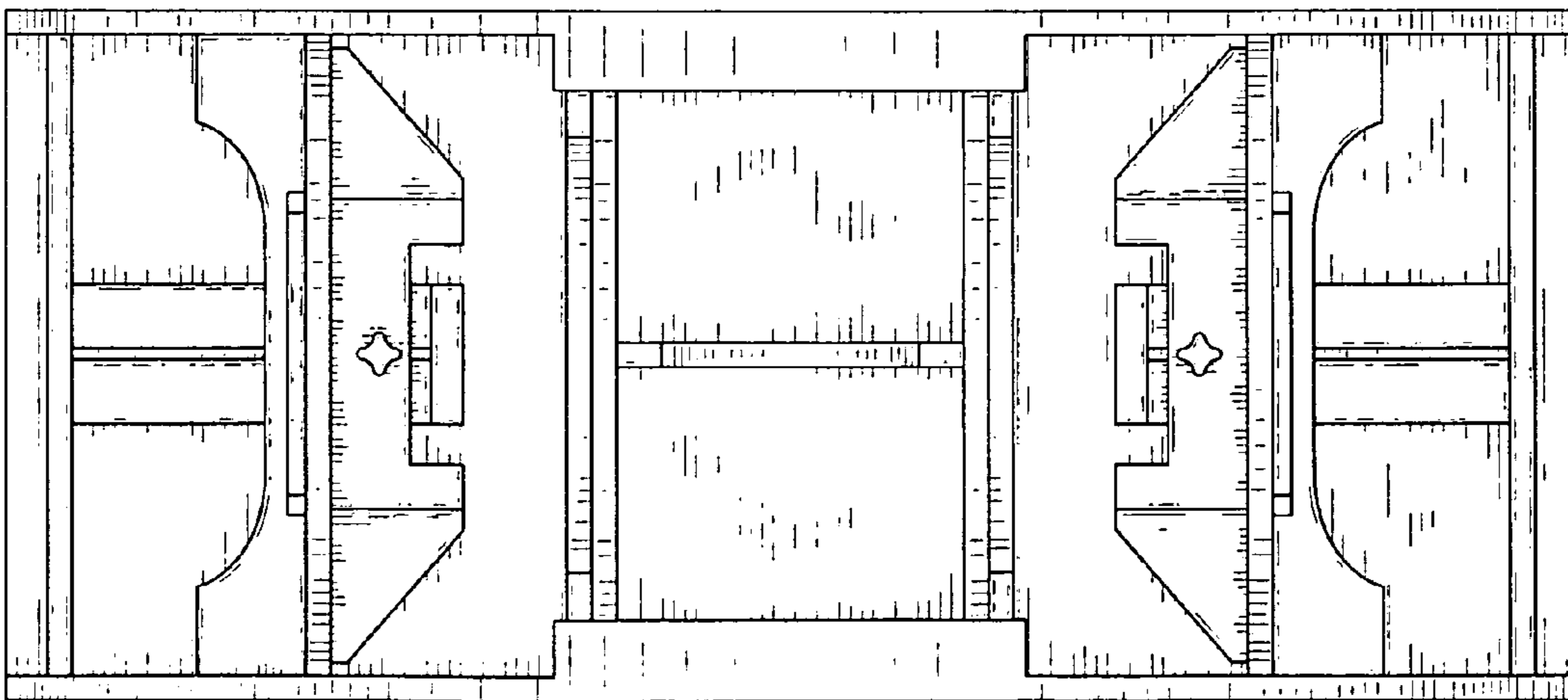
**FIG. 1**



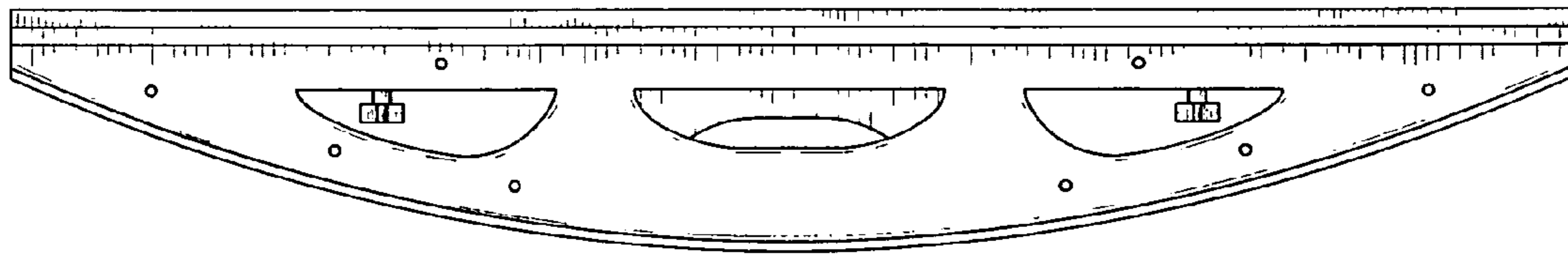
**FIG. 2**



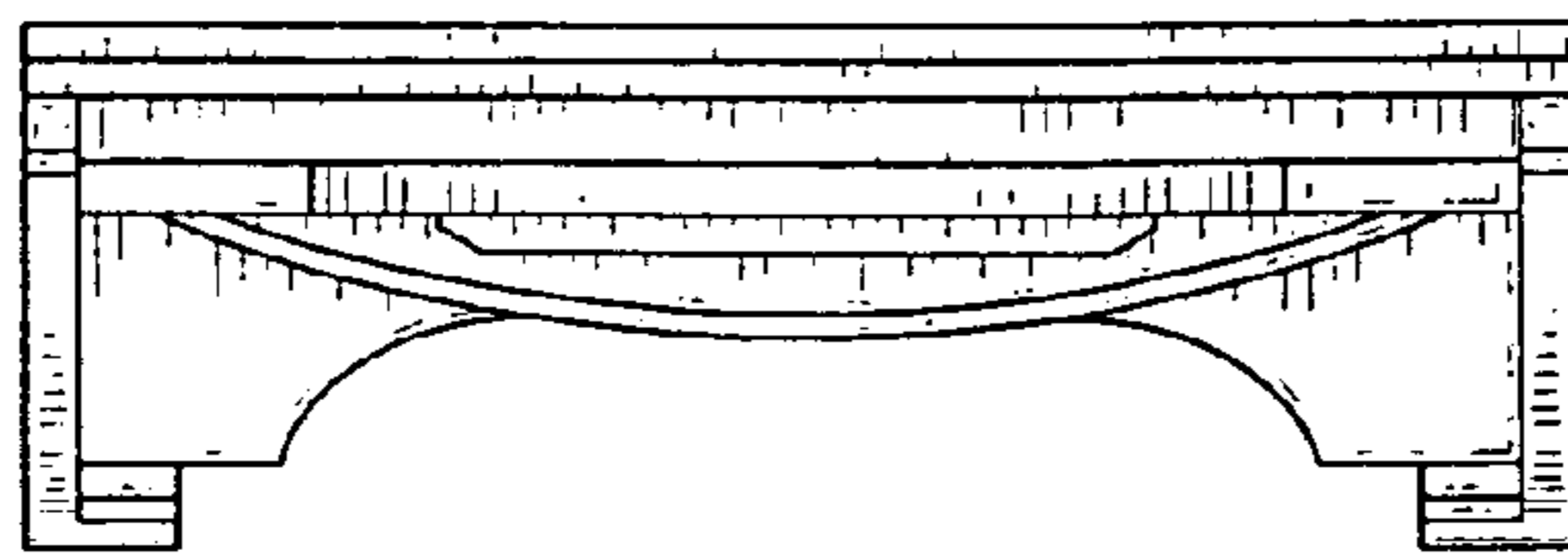
**FIG. 3**



**FIG. 4**



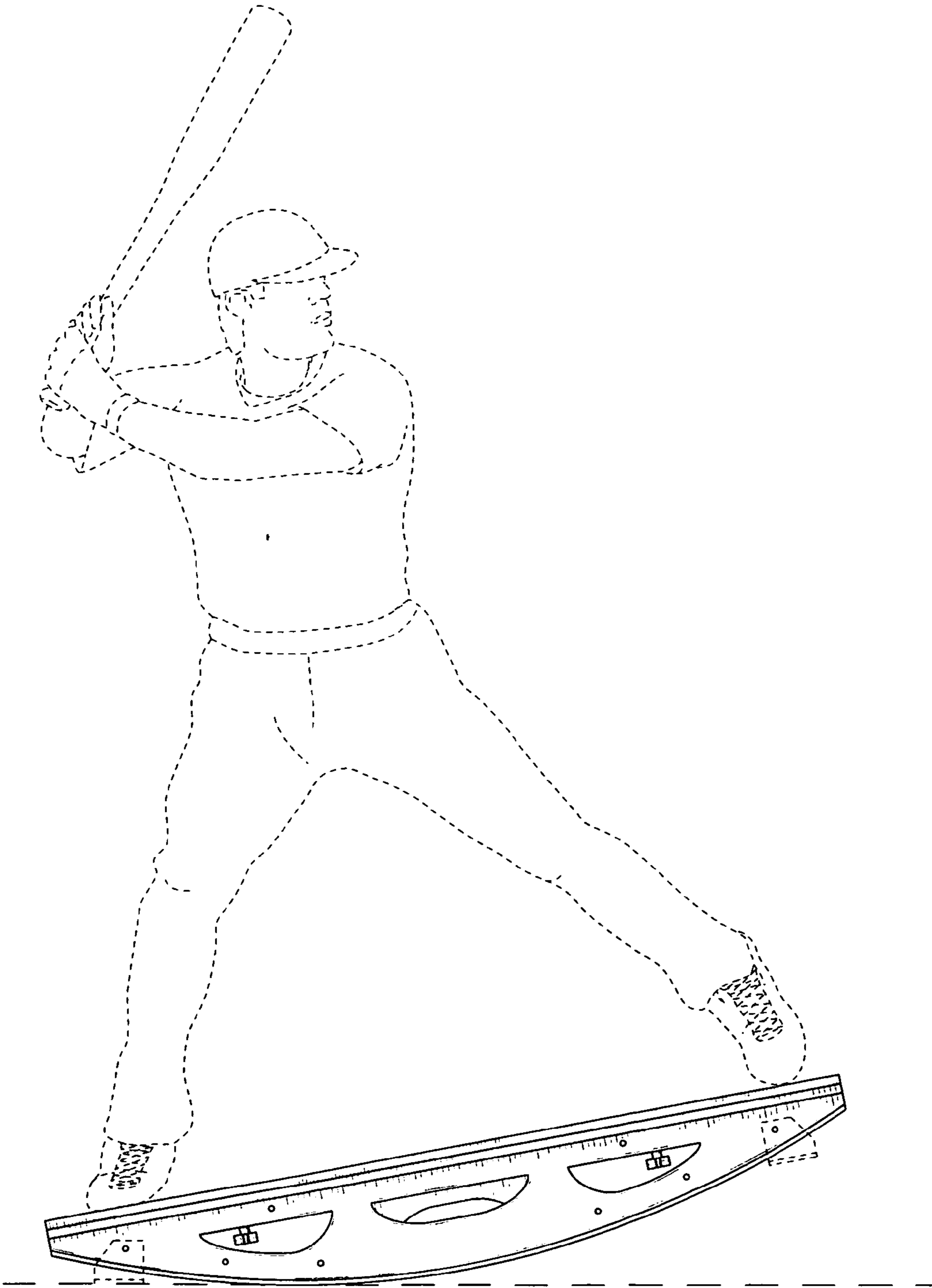
**FIG. 5**



**FIG. 6**



**FIG. 7**



**FIG. 8**