



US00D648398S

(12) **United States Design Patent**  
**McGee**

(10) **Patent No.:** **US D648,398 S**

(45) **Date of Patent:** **\*\* \*Nov. 8, 2011**

(54) **WIPES TUB LABEL**

(75) Inventor: **Brian Edward McGee**, Wilmington, OH (US)

(73) Assignee: **The Procter & Gamble Company**, Cincinnati, OH (US)

(\*) Notice: This patent is subject to a terminal disclaimer.

(\*\*) Term: **14 Years**

(21) Appl. No.: **29/359,472**

(22) Filed: **Apr. 12, 2010**

**Related U.S. Application Data**

(63) Continuation of application No. 29/343,283, filed on Sep. 10, 2009, now Pat. No. Des. 616,031, which is a continuation of application No. 29/289,421, filed on Jul. 19, 2007, now Pat. No. Des. 602,533.

(51) **LOC (9) Cl.** ..... **19-08**

(52) **U.S. Cl.** ..... **D20/22**

(58) **Field of Classification Search** ..... D20/10-12, D20/22-28, 40, 99; 40/124.01-124.04, 124.06, 40/299.01, 312, 324, 328, 359, 360, 536, 40/538, 542, 584, 594, 600, 601.03, 625, 40/626, 635, 778; D6/300; D9/432, 434, D9/456; D19/1, 2, 9, 10; 283/56, 71, 81; 428/34.1, 40.1, 42.1-42.3, 914; 235/380  
See application file for complete search history.

(56) **References Cited**

**U.S. PATENT DOCUMENTS**

868,458 A \* 10/1907 Lentz ..... 40/536  
D104,201 S \* 4/1937 Spencer ..... D20/40

D104,202 S \* 4/1937 Spencer ..... D20/40  
6,370,805 B2 \* 4/2002 Thompson ..... 40/778  
D472,392 S \* 4/2003 Clingman, Jr. .... D6/300  
7,032,817 B2 \* 4/2006 Blank ..... 235/380  
D546,673 S \* 7/2007 Mongeon et al. .... D9/432  
D553,986 S \* 10/2007 Berger ..... D9/456  
D569,423 S \* 5/2008 Lasch et al. .... D19/9  
D596,787 S \* 7/2009 Hearn ..... D27/189  
D602,533 S \* 10/2009 McGee ..... D20/22  
D616,031 S \* 5/2010 McGee ..... D20/22  
2005/0092625 A1 \* 5/2005 Brizzi et al. .... 206/242  
2008/0222929 A1 \* 9/2008 Sawin et al. .... 40/124.06

\* cited by examiner

*Primary Examiner* — Mary Ann Calabrese

(74) *Attorney, Agent, or Firm* — Richard L. Alexander

(57) **CLAIM**

The ornamental design for a wipes tub label, as shown and described.

**DESCRIPTION**

FIG. 1 is a perspective view of a wipes tub label showing our new design;

FIG. 2 is a front view thereof;

FIG. 3 is a back view thereof;

FIG. 4 is a side view thereof;

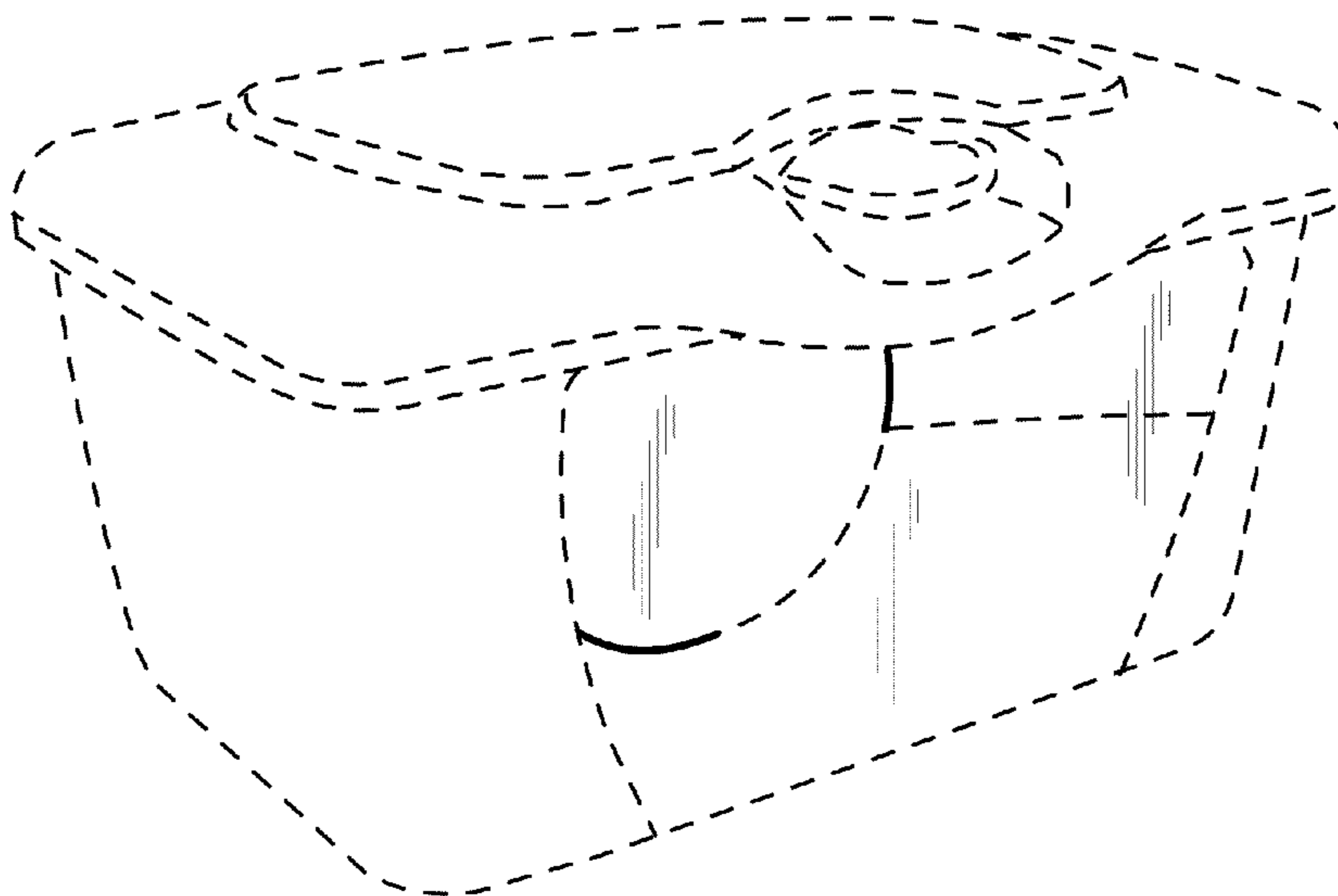
FIG. 5 is an opposite (from FIG. 4) side view thereof;

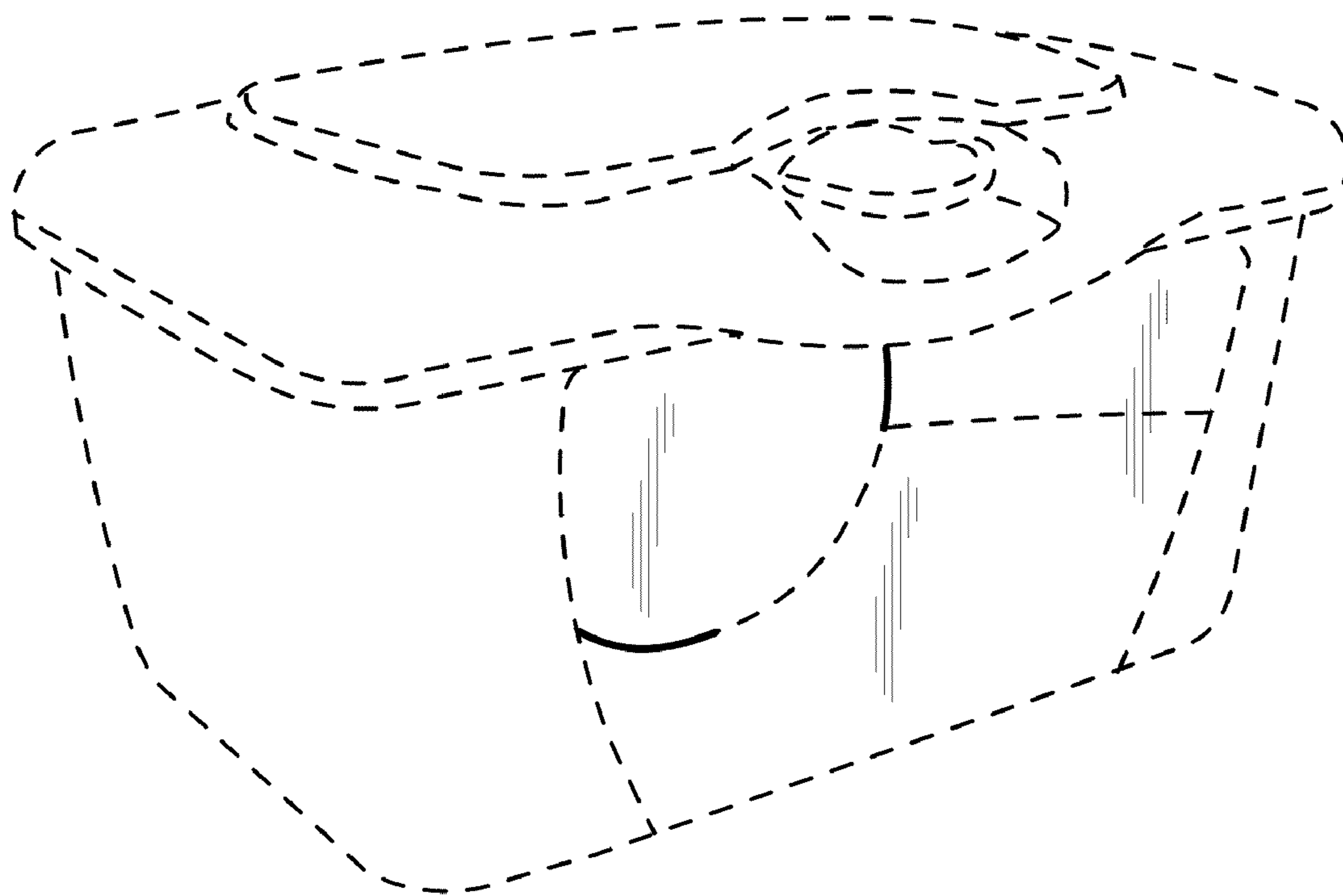
FIG. 6 is a top view thereof; and,

FIG. 7 is a bottom view thereof.

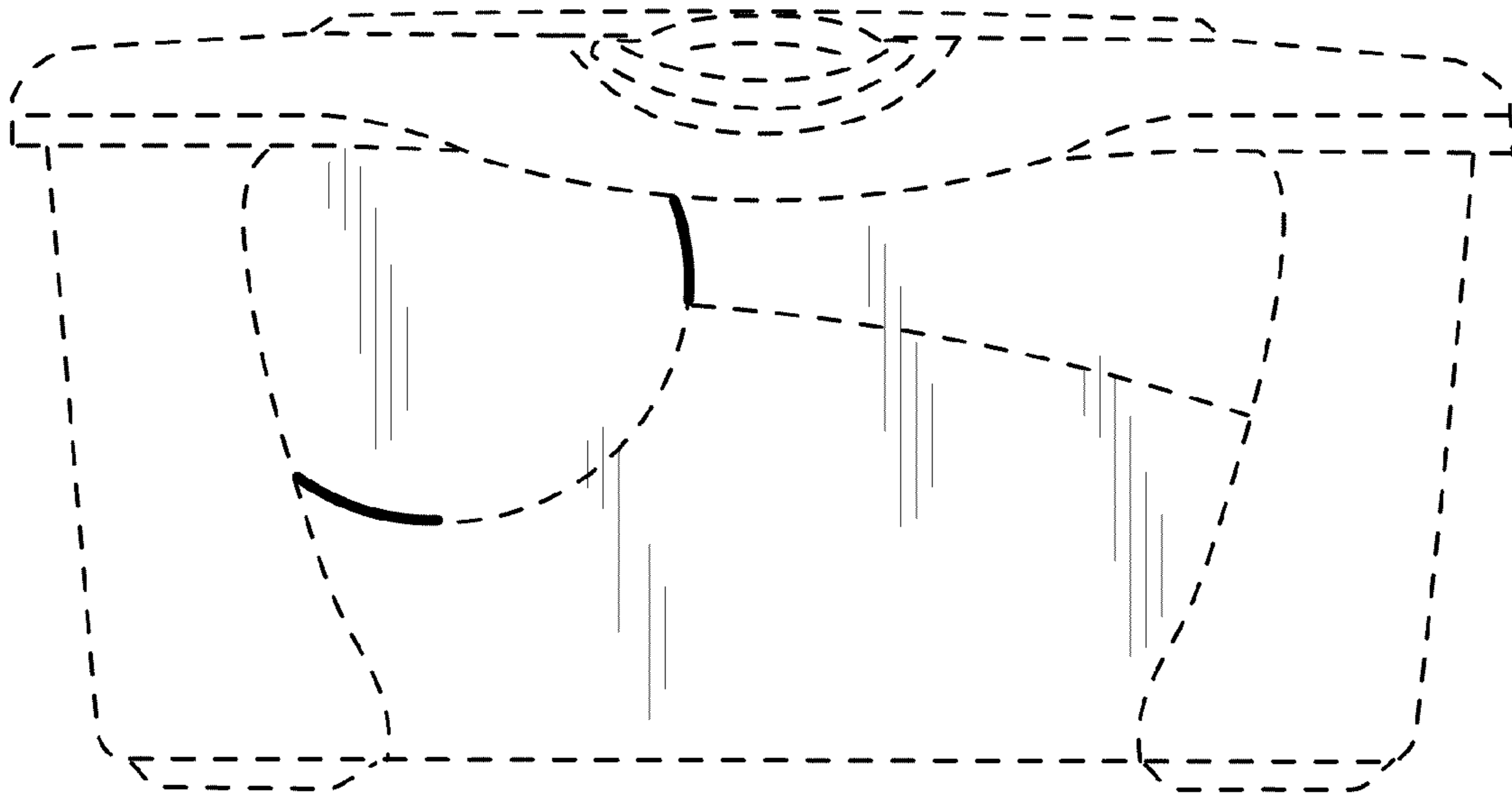
The broken/dashed lines adjacent to the shaded surfaces represent the boundaries of the claimed portion of the design, but do not form a part of the claimed design. All other broken/dashed lines represent environmental structure, but do not form part of the claimed design. The shaded surfaces do form part of the claimed design.

**1 Claim, 7 Drawing Sheets**

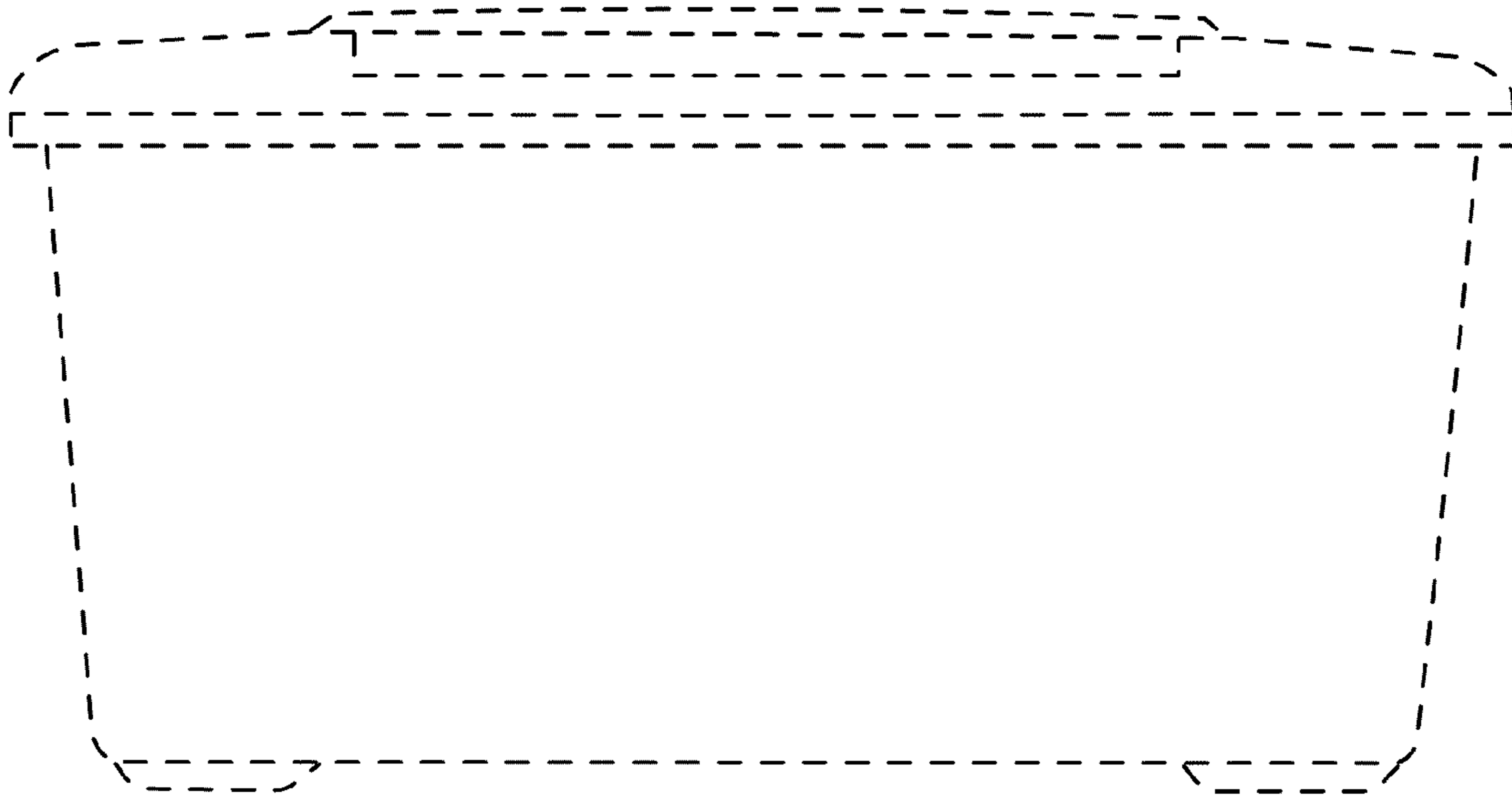




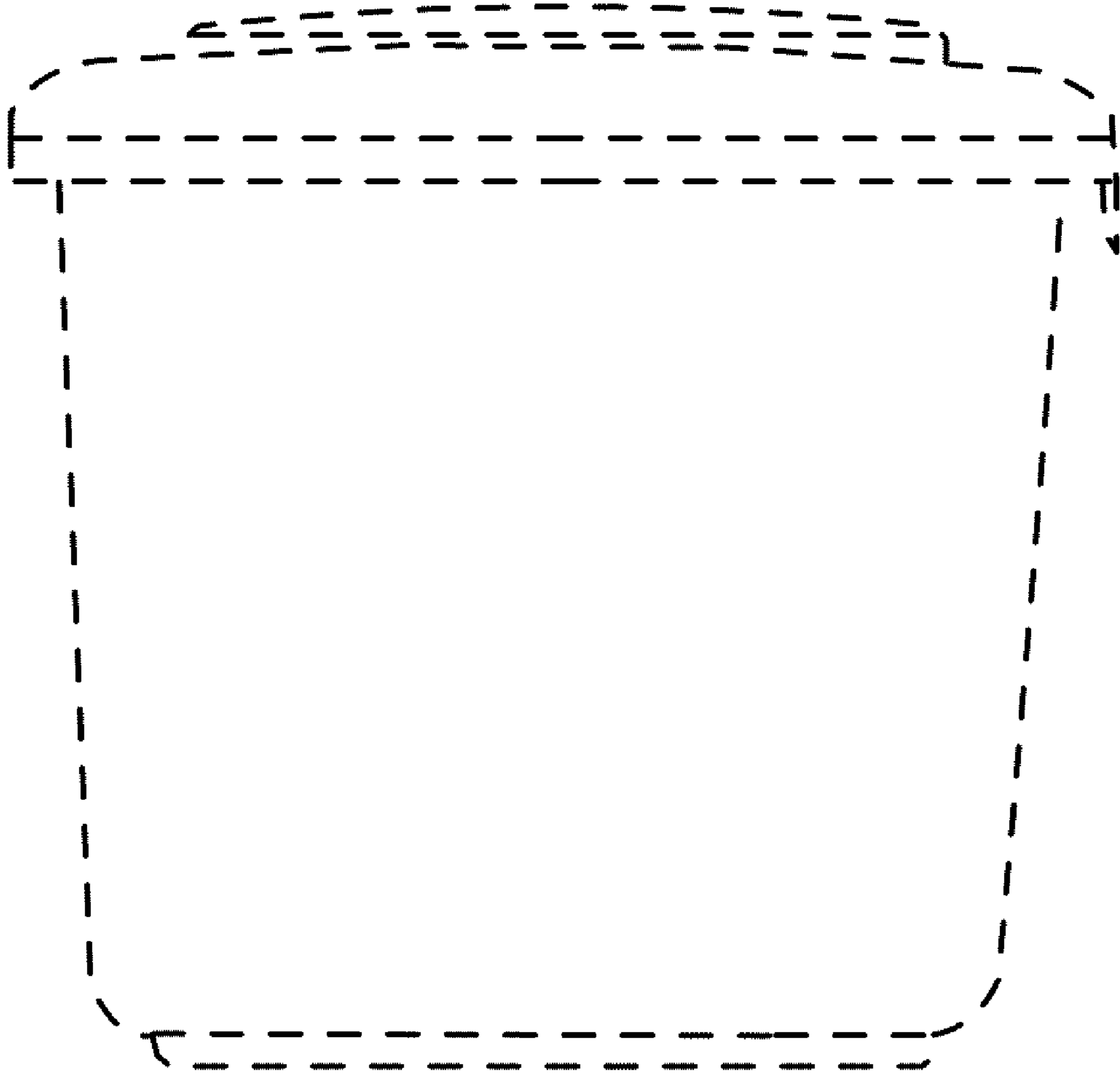
*FIG. 1*



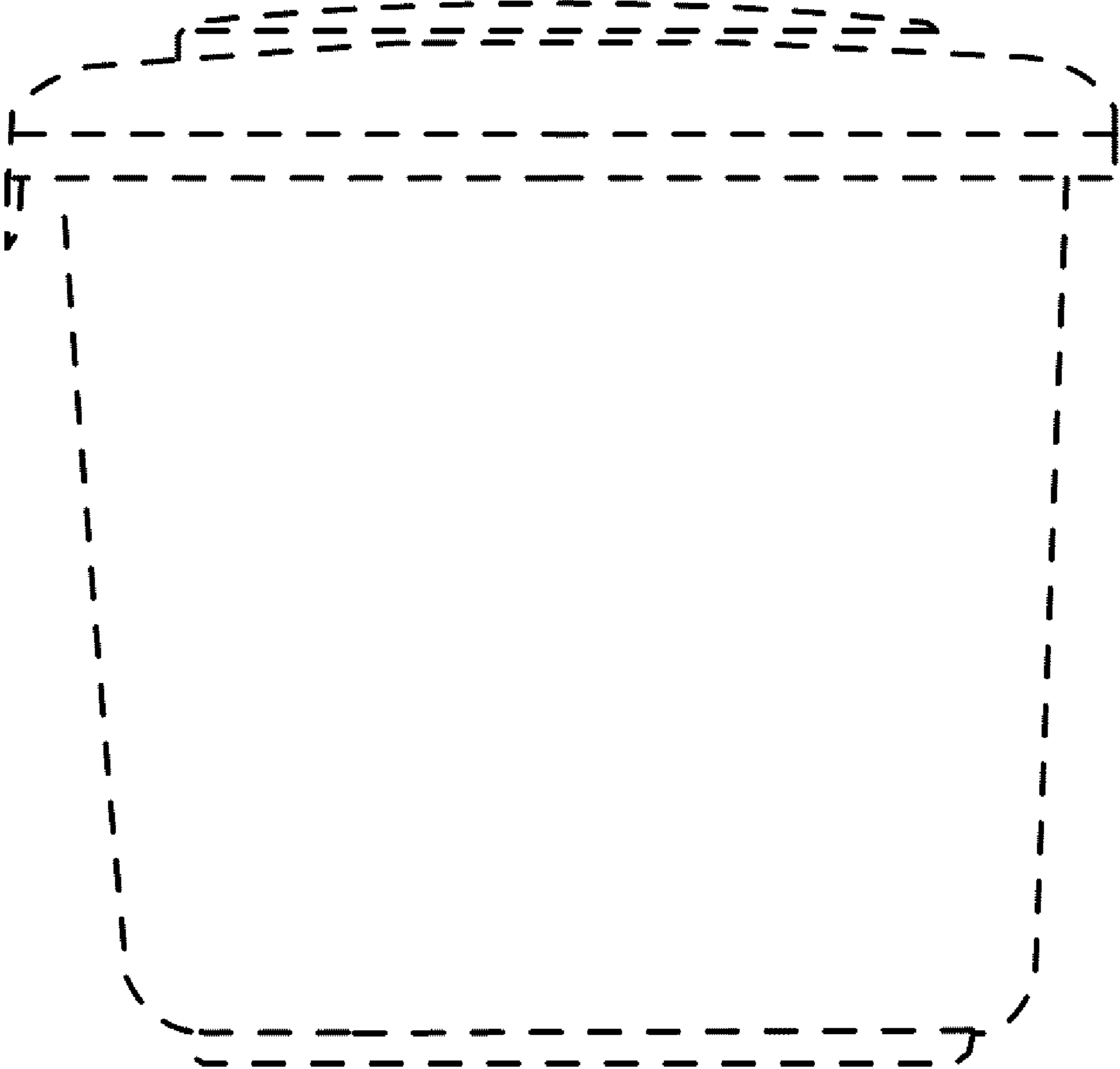
*FIG. 2*



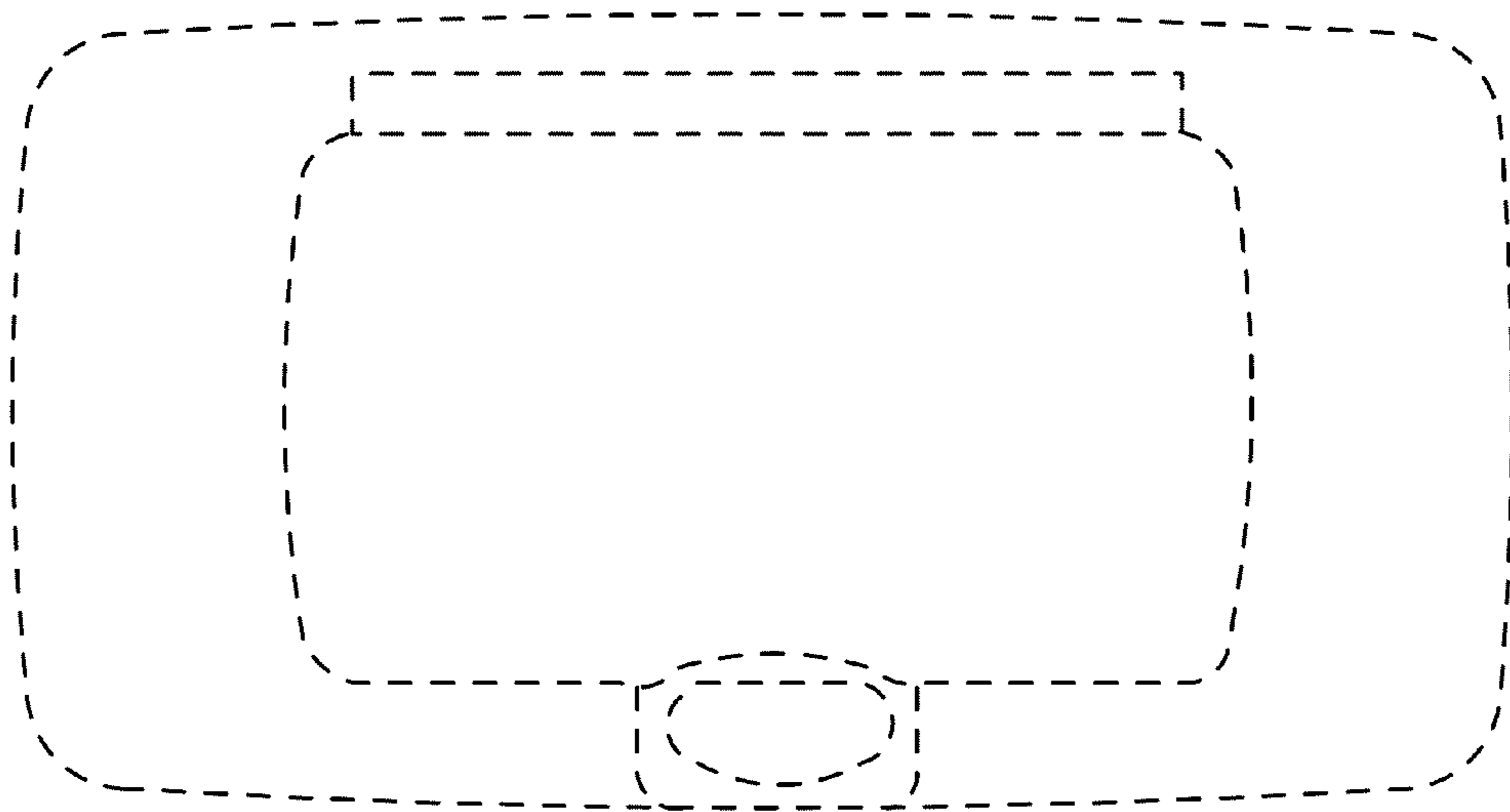
*FIG. 3*



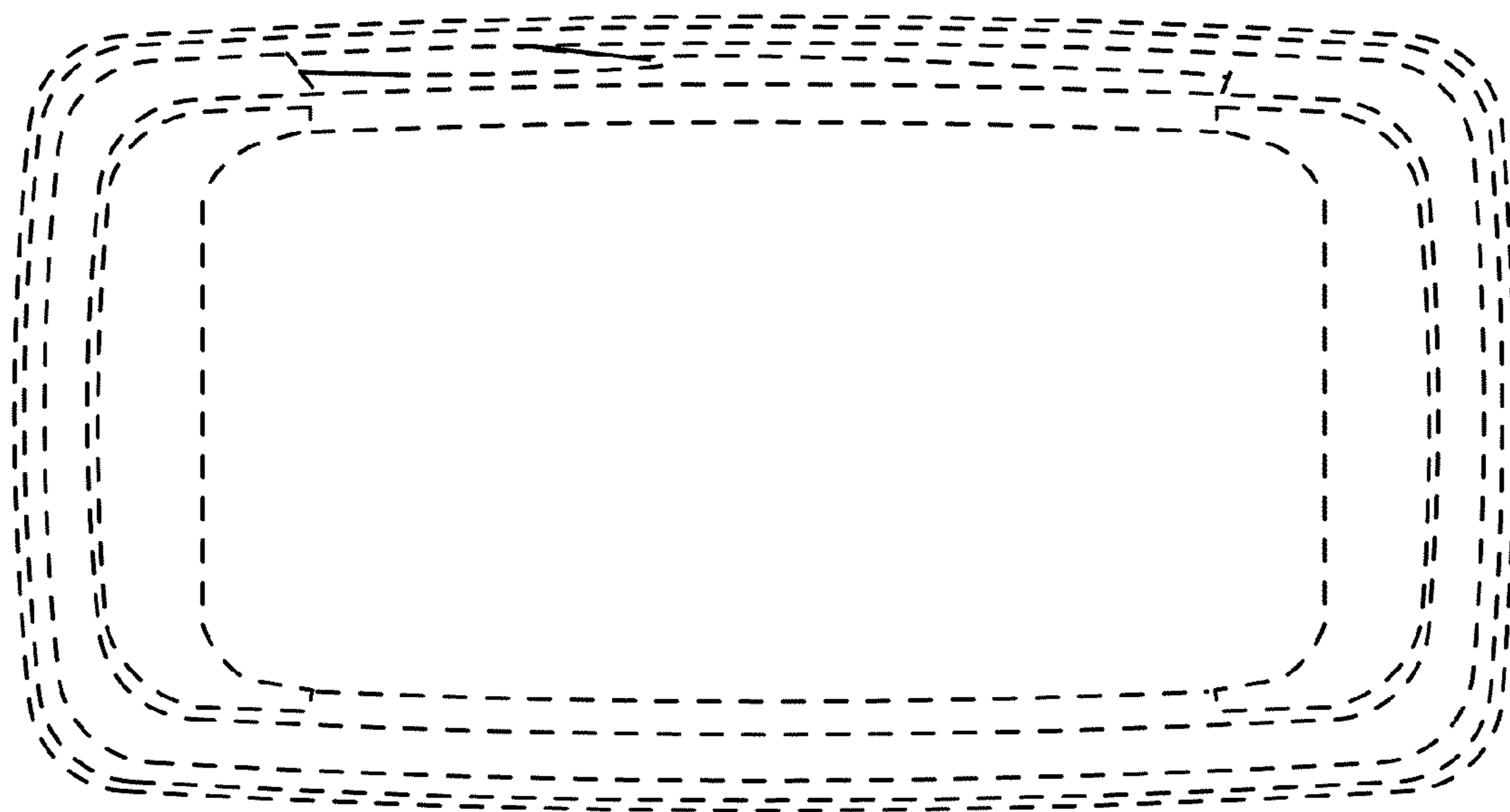
*FIG. 4*



*FIG. 5*



*FIG. 6*



*FIG. 7*