



US00D648396S

(12) **United States Design Patent**
Fernandez Munoz

(10) **Patent No.:** **US D648,396 S**

(45) **Date of Patent:** **** Nov. 8, 2011**

(54) **VENDING MACHINE**

Primary Examiner — Mary Ann Calabrese

(76) Inventor: **Miguel Fernandez Munoz**, Chave (PT)

(74) *Attorney, Agent, or Firm* — Dickinson Wright PLLC

(**) Term: **14 Years**

(57) **CLAIM**

I claim the ornamental design for the vending machine, as shown and described.

(21) Appl. No.: **29/360,754**

(22) Filed: **Apr. 30, 2010**

DESCRIPTION

(51) **LOC (9) Cl.** **20-01**

(52) **U.S. Cl.** **D20/7**

(58) **Field of Classification Search** D20/1-9;
221/2, 174.265; D7/589, 590; 194/202,
194/236; 222/105, 129.1-129.3

See application file for complete search history.

FIG. 1 is a perspective view of the vending machine of the present invention.

FIG. 2 is a front view of the vending machine of the present invention.

FIG. 3 is a side view of the vending machine of the present invention.

FIG. 4 is a back view of the vending machine of the present invention.

FIG. 5 is a side view of the vending machine of the present invention.

FIG. 6 is a top view of the vending machine of the present invention; and,

FIG. 7 is a bottom view of the vending machine of the present invention.

The portions of the vending machine shown in broken lines form no part of the claimed design.

(56) **References Cited**

U.S. PATENT DOCUMENTS

D35,519	S	*	12/1901	Price	D20/4
1,490,365	A	*	4/1924	Du Grenier	221/265
D158,529	S	*	5/1950	Tarrson	D20/7
3,010,557	A	*	11/1961	Weitzman	194/236
D200,755	S	*	4/1965	SeBastian	D20/1
D298,552	S	*	11/1988	Chen	D20/7
5,383,545	A	*	1/1995	Schwarzli	194/202
5,950,793	A	*	9/1999	Schwarzli	194/236
D499,146	S	*	11/2004	Liu et al.	D20/7

* cited by examiner

1 Claim, 7 Drawing Sheets

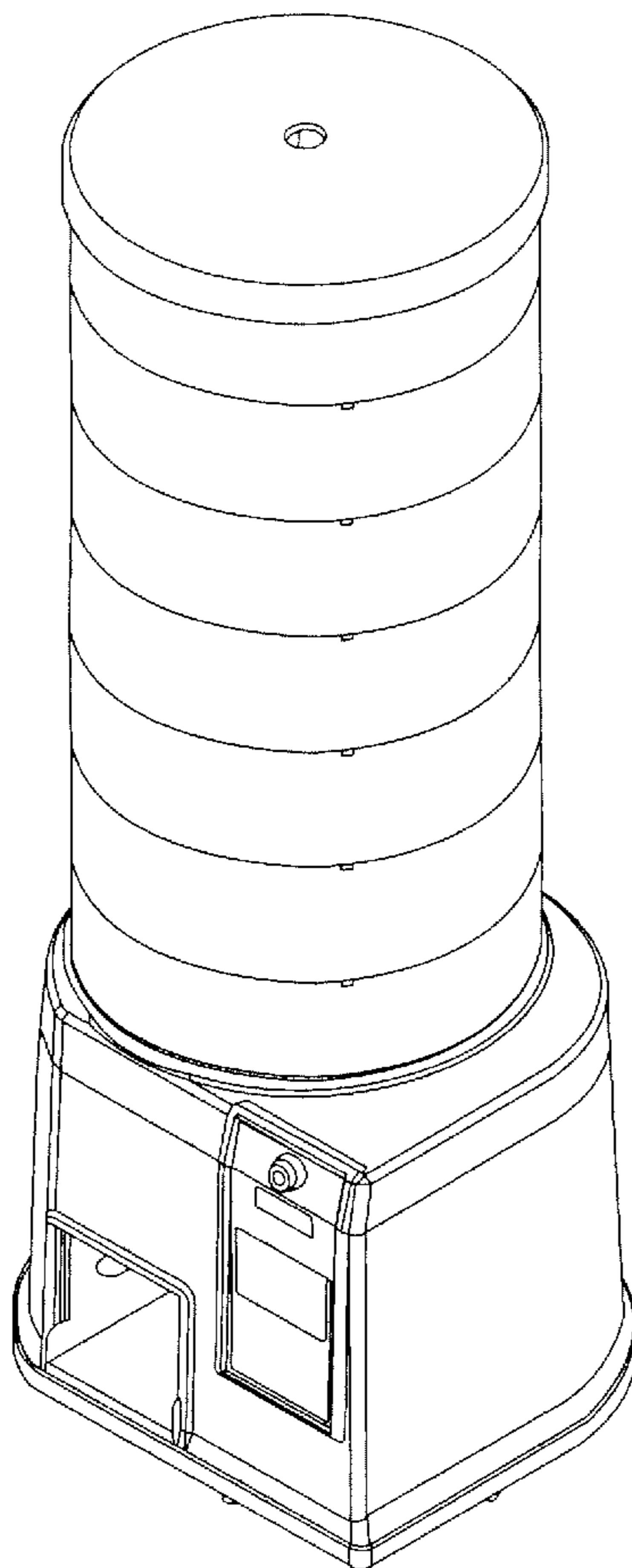


FIG. 1

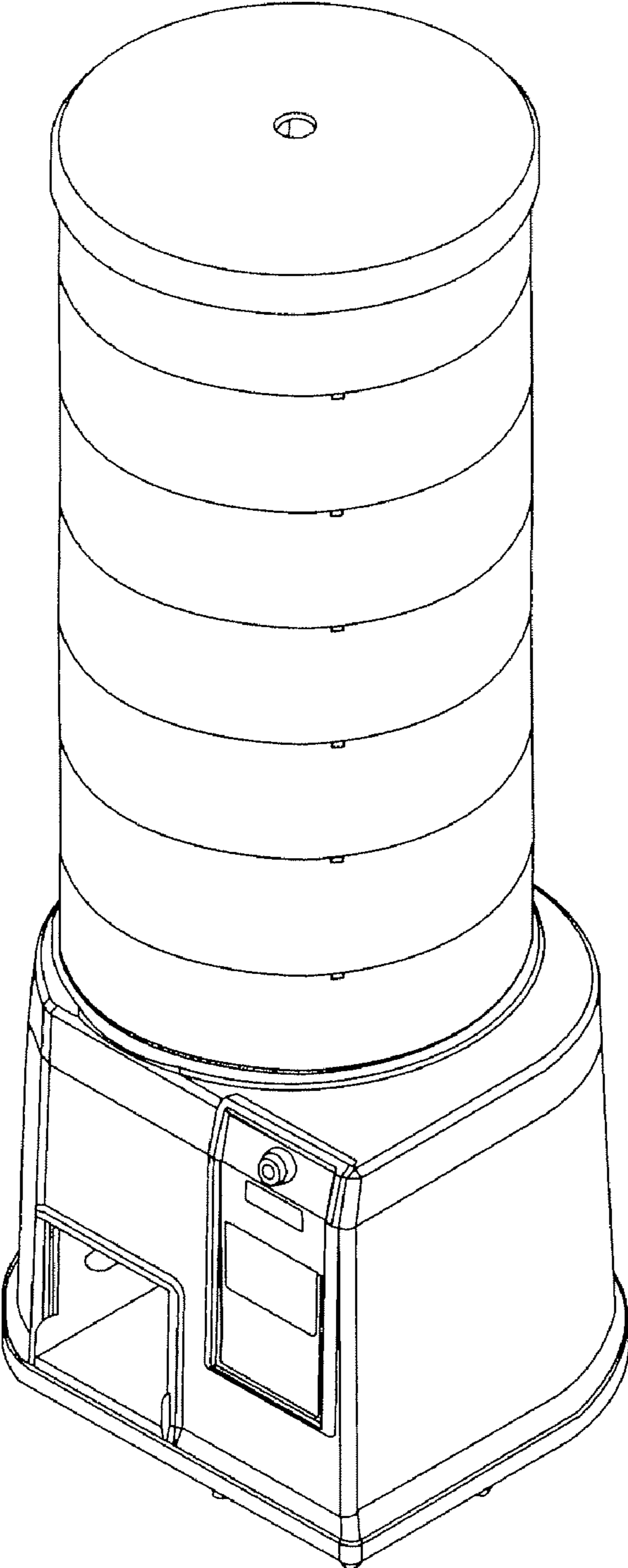


FIG. 2

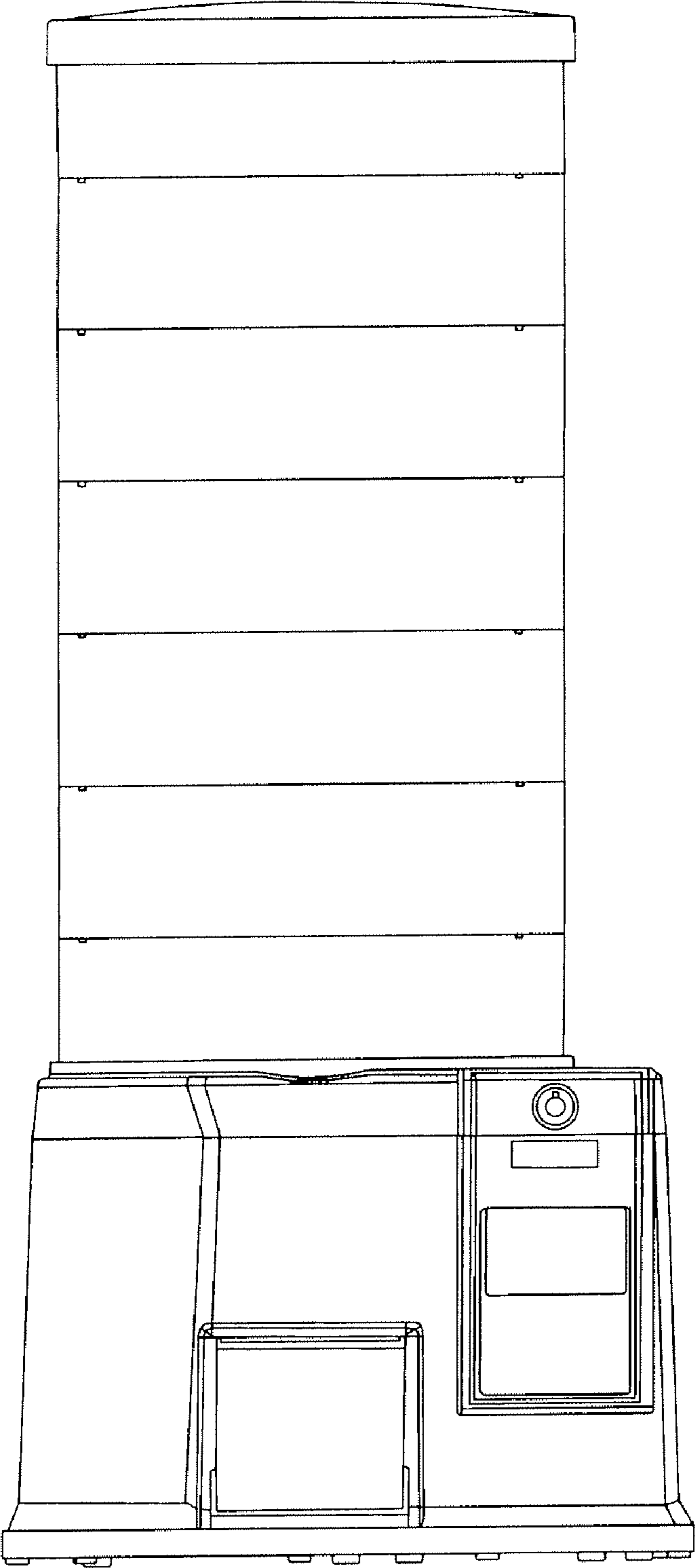


FIG. 3

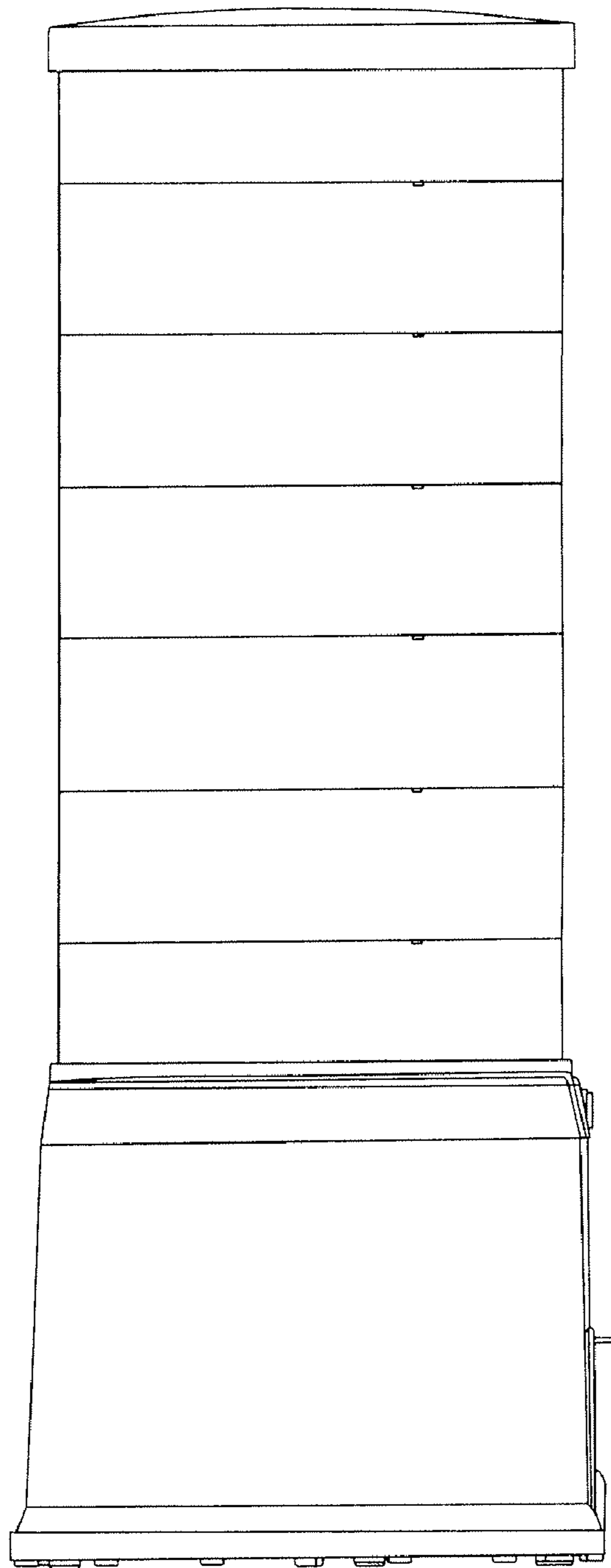


FIG. 4

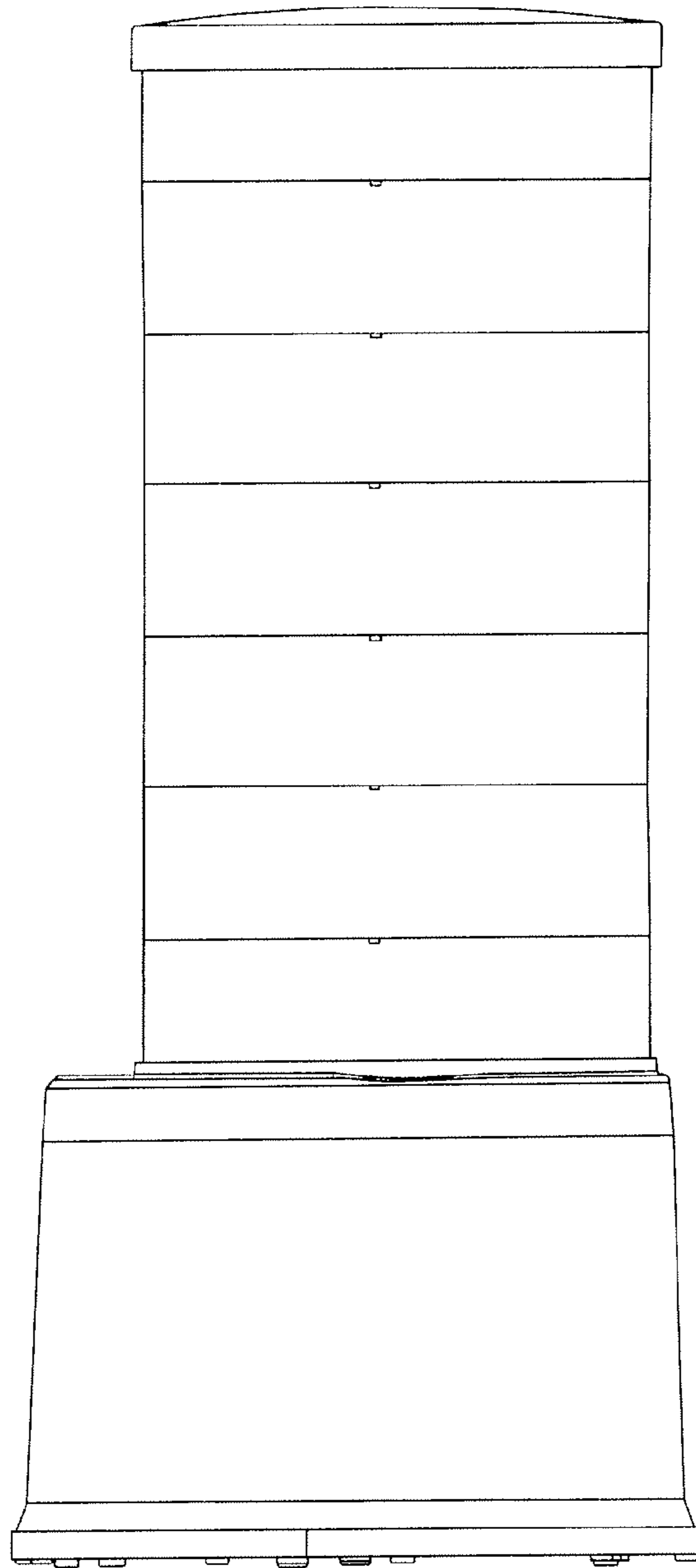


FIG. 5

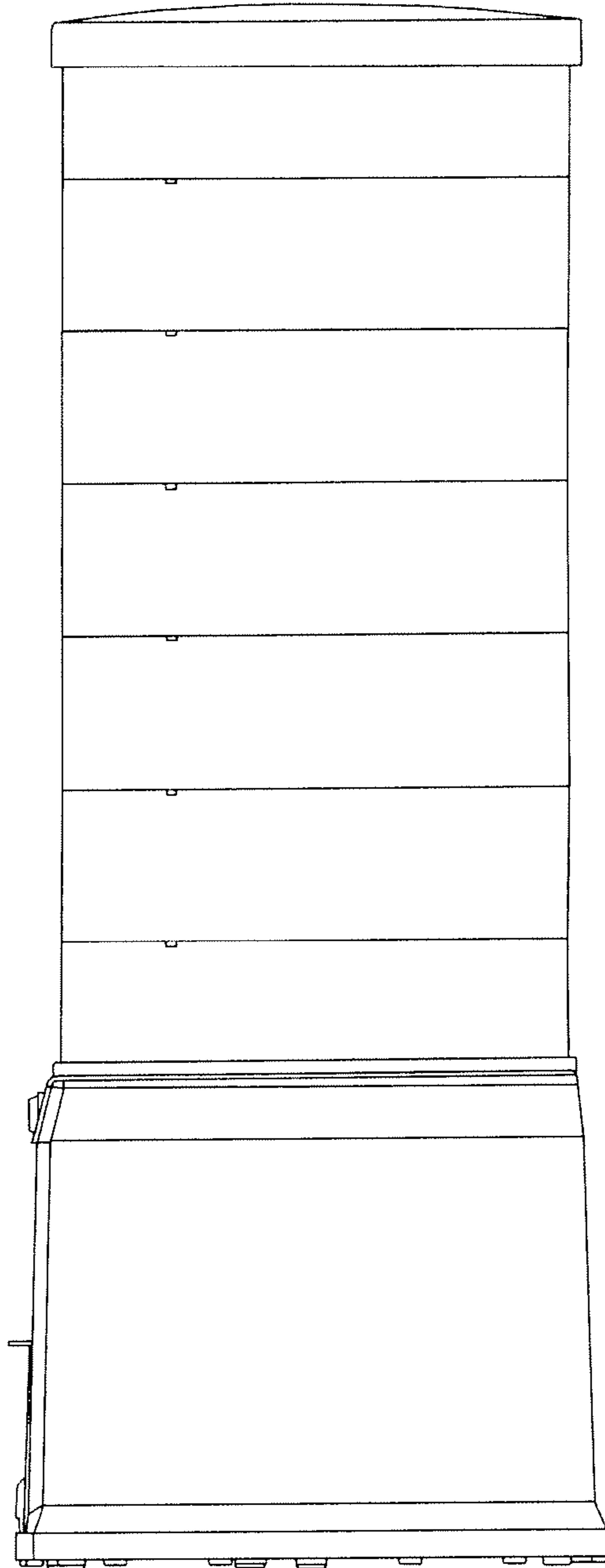


FIG. 6

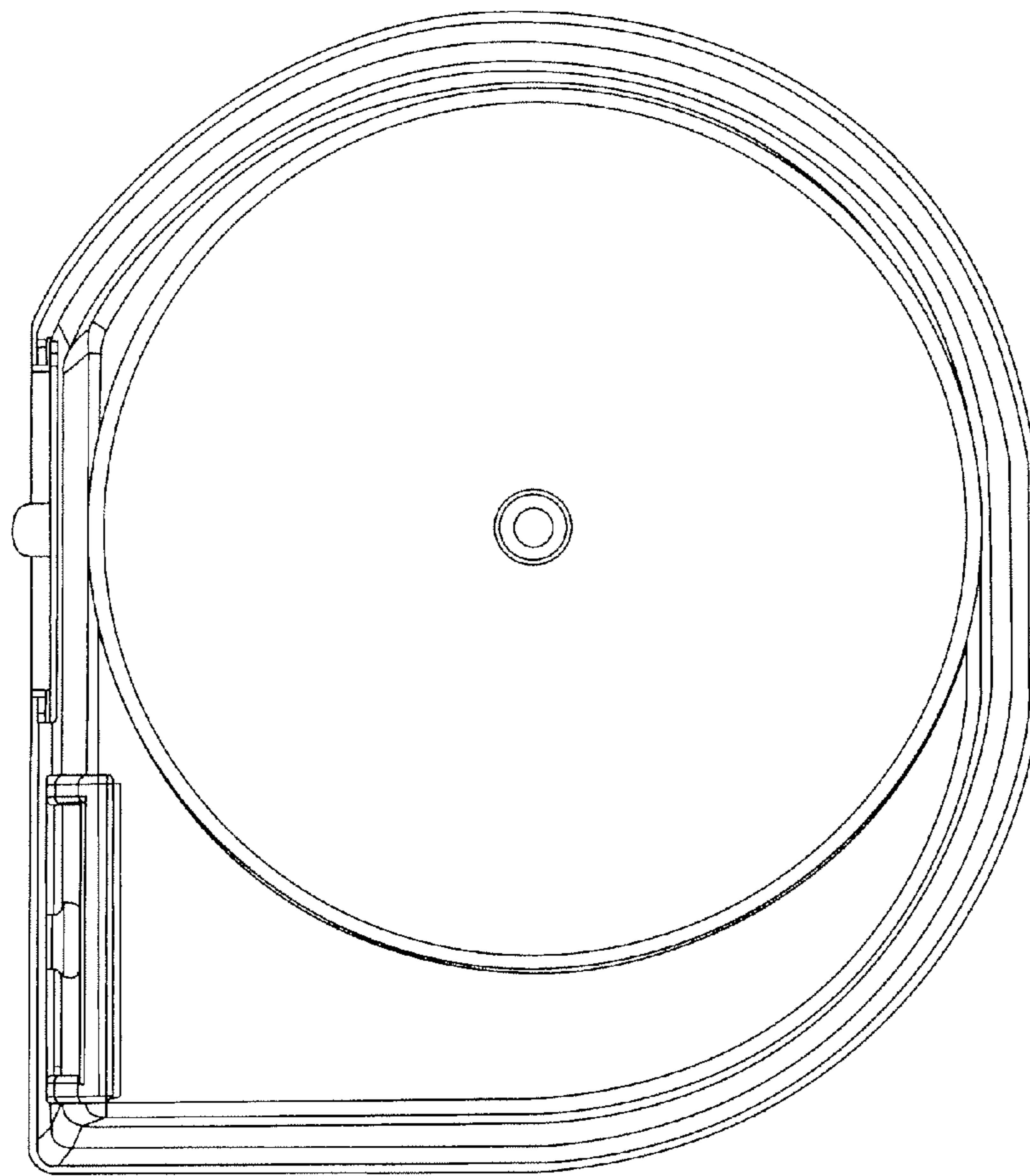


FIG. 7

