



US00D648395S

(12) **United States Design Patent**
Bensoussan

(10) **Patent No.:** **US D648,395 S**

(45) **Date of Patent:** **** Nov. 8, 2011**

(54) **BOOK HOLDER**

(75) Inventor: **Philippe Bensoussan**, Vienne (FR)

(73) Assignee: **BCS Business Consulting Services Pte Ltd**, Singapore (SG)

(**) Term: **14 Years**

(21) Appl. No.: **29/372,485**

(22) Filed: **Nov. 24, 2010**

(51) **LOC (9) Cl.** **19-02**

(52) **U.S. Cl.** **D19/91**

(58) **Field of Classification Search** D6/326;
D8/394, 395; D19/65, 75, 77-92; 24/67.9,
24/67.11; 206/214, 215, 425; 281/42, 45
See application file for complete search history.

(56) **References Cited**

U.S. PATENT DOCUMENTS

2,782,482	A *	2/1957	Baril et al.	24/501
2,964,197	A *	12/1960	Wallace	211/45
3,364,528	A *	1/1968	Fletcher	24/67.1
D218,874	S *	9/1970	Whittaker	D19/91
3,604,067	A *	9/1971	Brown	24/67 R
4,645,236	A *	2/1987	Kemp, Jr.	281/42
D302,568	S *	8/1989	Berger	D19/65
D306,876	S *	3/1990	Greenhut et al.	D19/65
4,905,393	A *	3/1990	Laurie	40/641
4,958,728	A *	9/1990	Effendi	206/425
5,079,808	A *	1/1992	Brown	24/67.7
D378,531	S *	3/1997	Szikszay	D19/65

D387,807	S *	12/1997	McAllister	D19/91
D406,169	S *	2/1999	Wolff	D19/65
D451,134	S *	11/2001	Fonfeder	D19/27
D461,504	S *	8/2002	Kagel	D19/90
D477,364	S *	7/2003	Tsai	D19/65
D497,183	S *	10/2004	Chiu	D19/65
D519,567	S *	4/2006	Henry	D19/90
D552,461	S *	10/2007	Oas	D8/395
D575,533	S *	8/2008	Barker	D6/326
D593,609	S *	6/2009	Blau	D19/65
D628,398	S *	12/2010	Fort et al.	D6/326
D633,250	S *	2/2011	Kao	D26/140

* cited by examiner

Primary Examiner — Elizabeth Albert

(74) *Attorney, Agent, or Firm* — TraskBritt, P.C.

(57) **CLAIM**

The ornamental design for a book holder, as shown and described.

DESCRIPTION

FIG. 1 is a perspective view of the book holder showing my new design;

FIG. 2 is a top plan view of FIG. 1;

FIG. 3 is a bottom plan view of FIG. 1;

FIG. 4 is a right side view of FIG. 1;

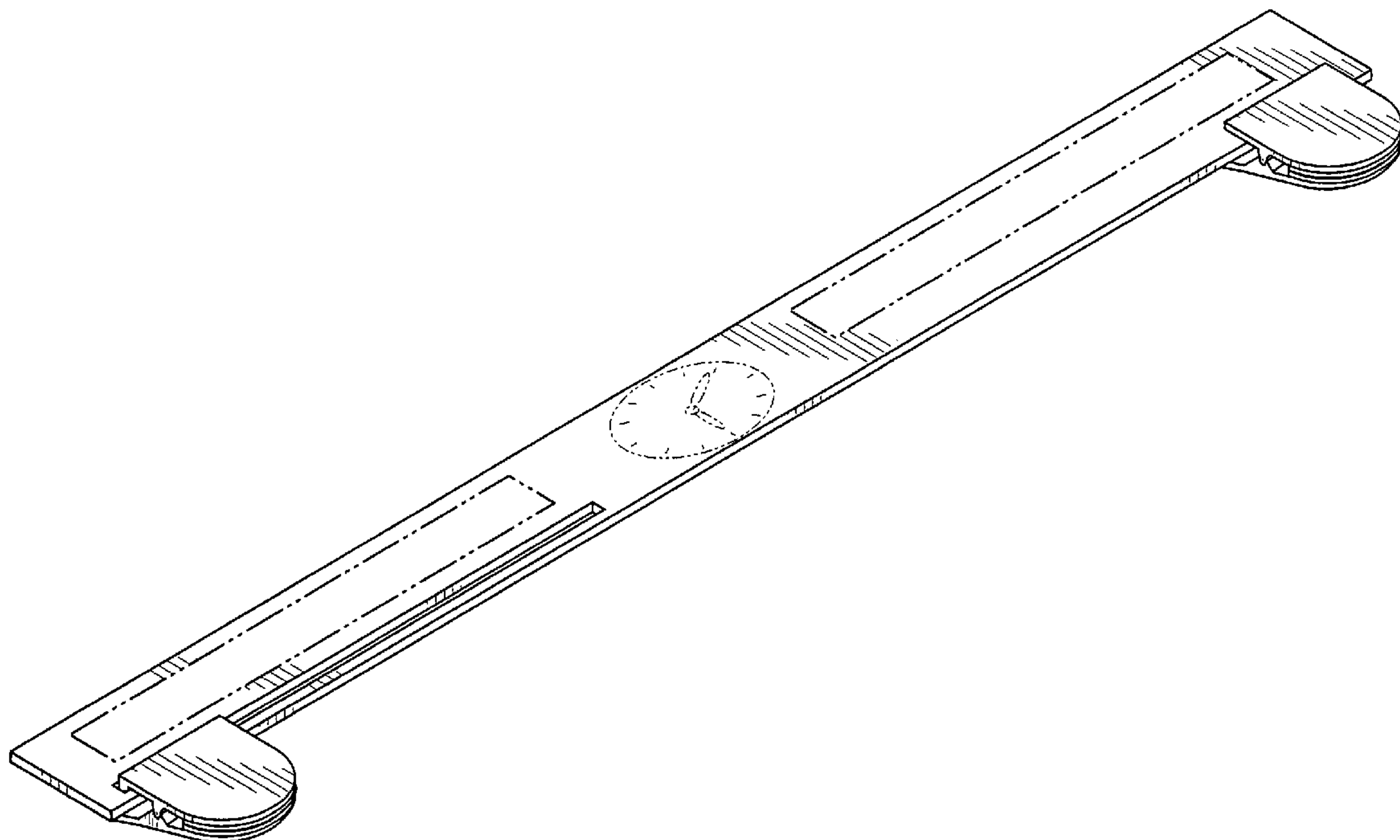
FIG. 5 is a left side view of FIG. 1;

FIG. 6 is a front view of FIG. 1; and,

FIG. 7 is a back view of FIG. 1.

The broken line rectangles and clock face on the top in FIGS. 1, 2, and 4 to 7 are included for the purpose of showing features that no part of the claimed design.

1 Claim, 3 Drawing Sheets



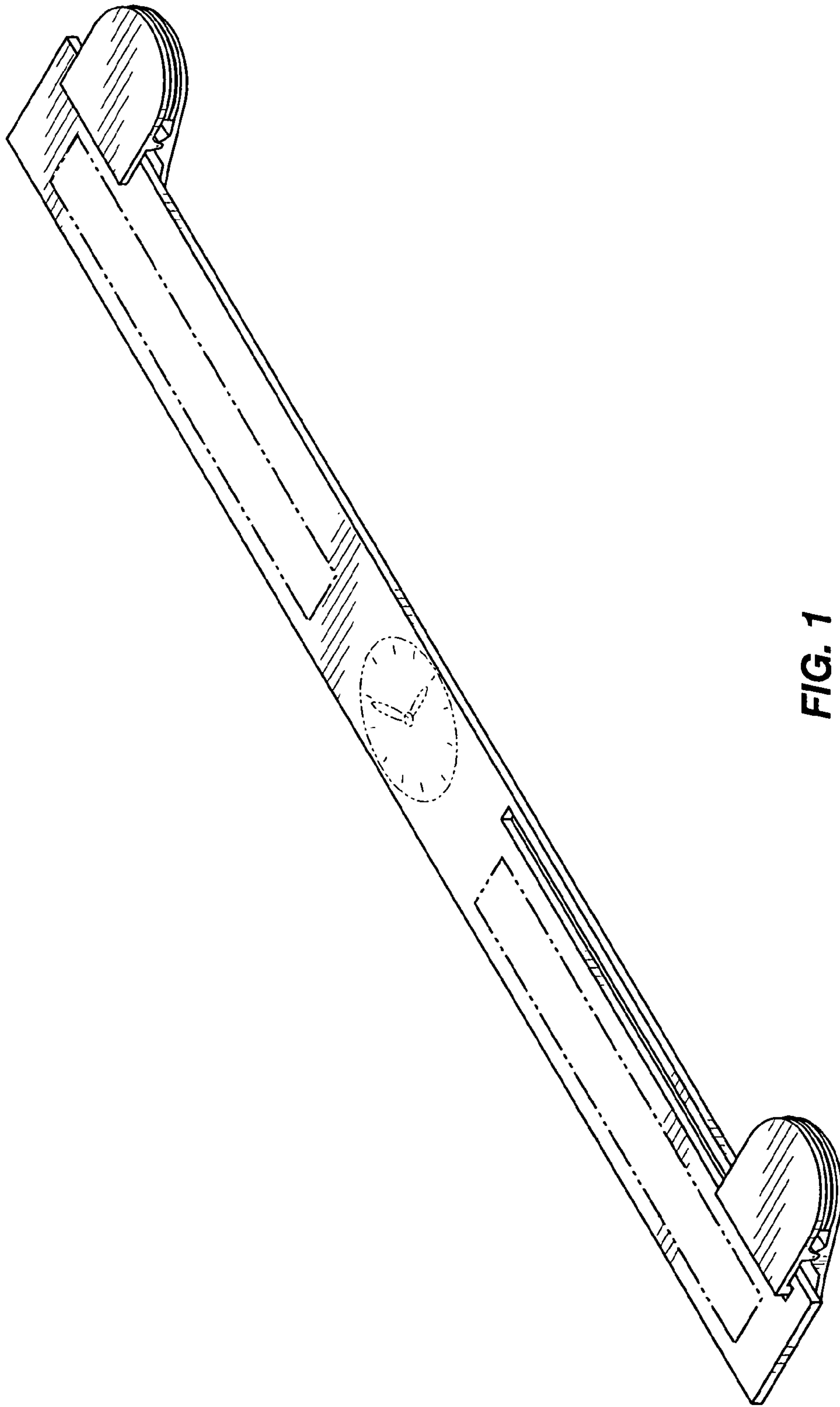


FIG. 1

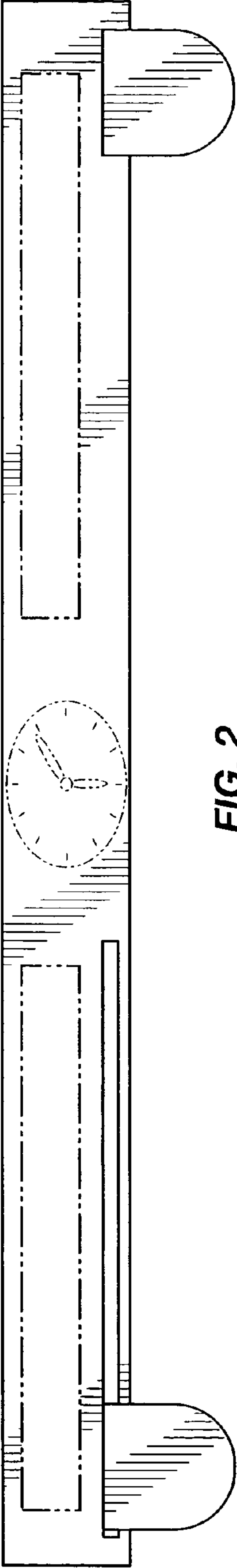


FIG. 2

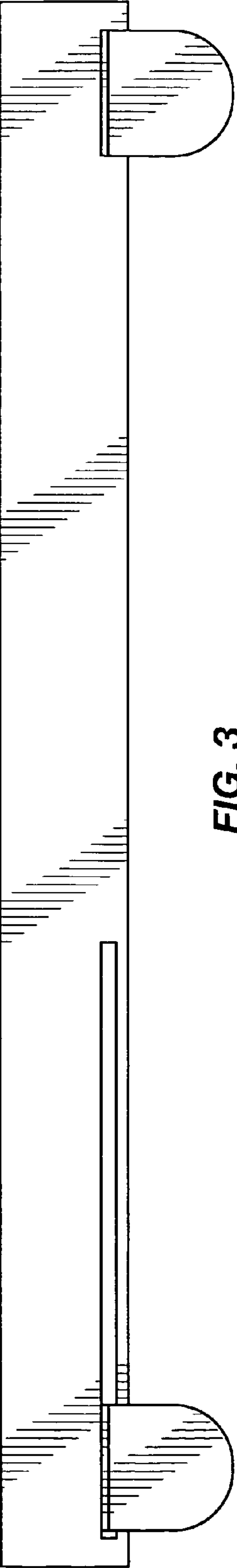


FIG. 3



FIG. 4



FIG. 5

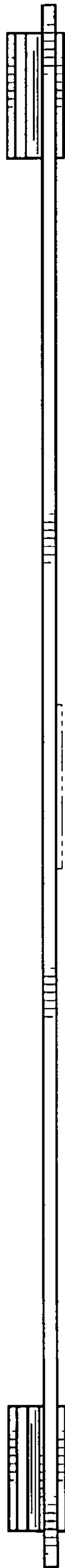


FIG. 6



FIG. 7