

US00D648394S

(12) **United States Design Patent**
Yuan

(10) **Patent No.:** **US D648,394 S**

(45) **Date of Patent:** **** Nov. 8, 2011**

(54) **TWO-HOLE PUNCH**

(75) **Inventor:** **Fang Yuan, Ningbo (CN)**

(73) **Assignee:** **Beifa Group Co., Ltd., Ningbo (CN)**

(**) **Term:** **14 Years**

(21) **Appl. No.:** **29/390,934**

(22) **Filed:** **Apr. 29, 2011**

(30) **Foreign Application Priority Data**

Oct. 29, 2010 (CN) 2010 3 0581894

(51) **LOC (9) Cl.** **19-02**

(52) **U.S. Cl.** **D19/72**

(58) **Field of Classification Search** D8/98;
D19/72; 30/358, 363; 83/167, 613, 618,
83/620, 633, 684, 685, 686, 687, 688, 689,
83/690, 691

See application file for complete search history.

(56) **References Cited**

U.S. PATENT DOCUMENTS

1,650,019	A *	11/1927	Kline	83/468
2,137,716	A *	11/1938	Faas	83/588
D132,970	S *	7/1942	Budlong	D19/72
2,328,558	A *	9/1943	Kipp	83/588
D144,601	S *	4/1946	Yerkes	D19/72
2,445,093	A *	7/1948	Von Cseh	83/449
D152,283	S *	1/1949	Mission	D19/72
2,524,582	A *	10/1950	Yerkes	83/449
D167,520	S *	8/1952	Marano	D19/72
D167,521	S *	8/1952	Marano	D19/72

2,717,643	A *	9/1955	Marano	83/588
4,466,322	A *	8/1984	Mori	83/468
D386,528	S *	11/1997	Mori	D19/72
D468,772	S *	1/2003	Robillard	D19/72
D477,028	S *	7/2003	Huang	D19/72
6,644,161	B2 *	11/2003	Lin	83/588
7,331,266	B2 *	2/2008	Chen	83/633
D567,862	S *	4/2008	Chen et al.	D19/72
D573,649	S *	7/2008	Chen et al.	D19/72
D598,957	S *	8/2009	Isozaki et al.	D19/72
D612,890	S *	3/2010	Isozaki et al.	D19/72
D633,146	S *	2/2011	Lee et al.	D19/72
2003/0121384	A1 *	7/2003	Lin	83/622
2006/0278056	A1 *	12/2006	Chen et al.	83/588
2007/0107576	A1 *	5/2007	Chen	83/669
2009/0133560	A1 *	5/2009	Chen et al.	83/588

* cited by examiner

Primary Examiner — Elizabeth Albert

(74) *Attorney, Agent, or Firm* — Christensen O'Connor Johnson Kindness PLLC

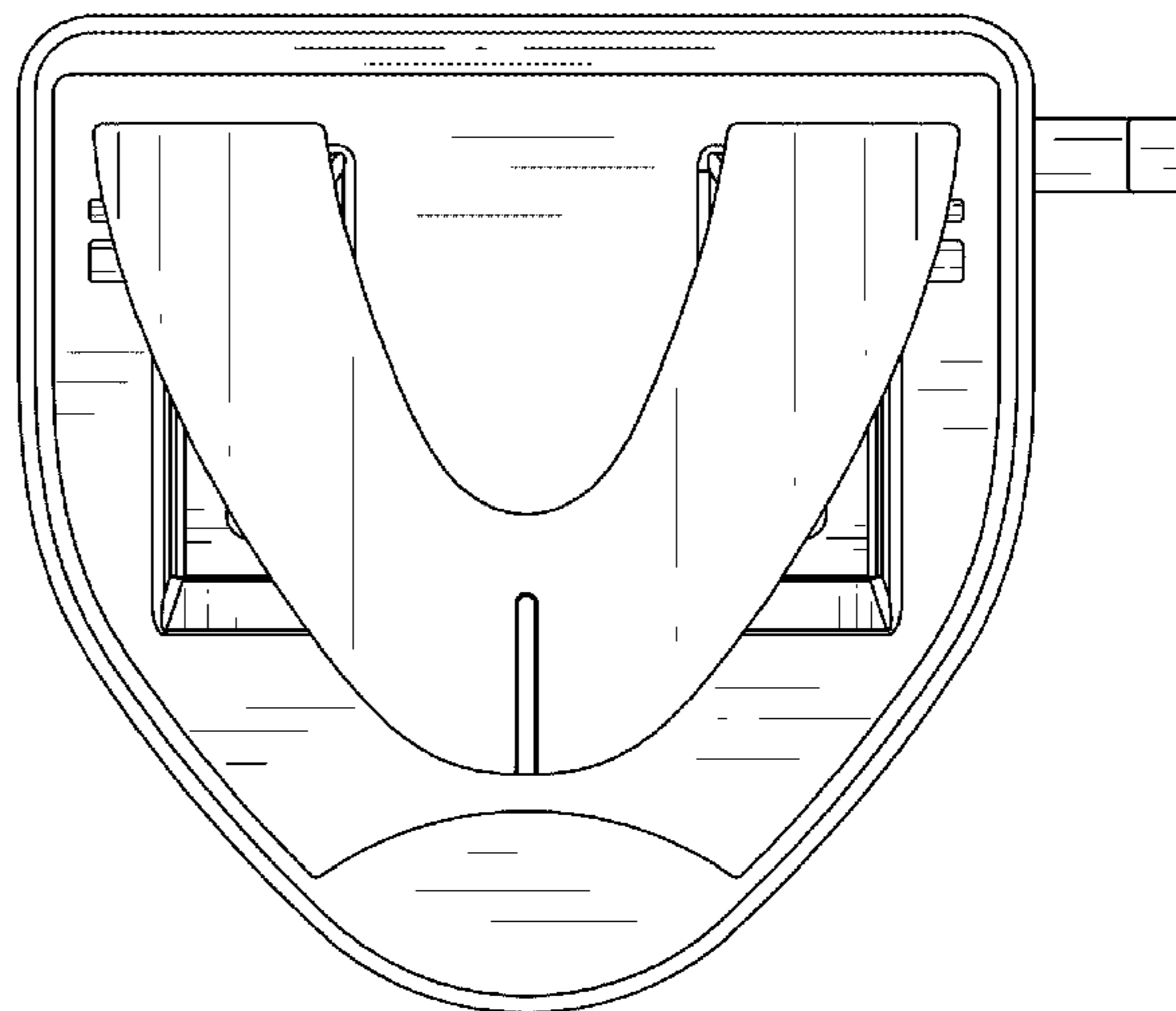
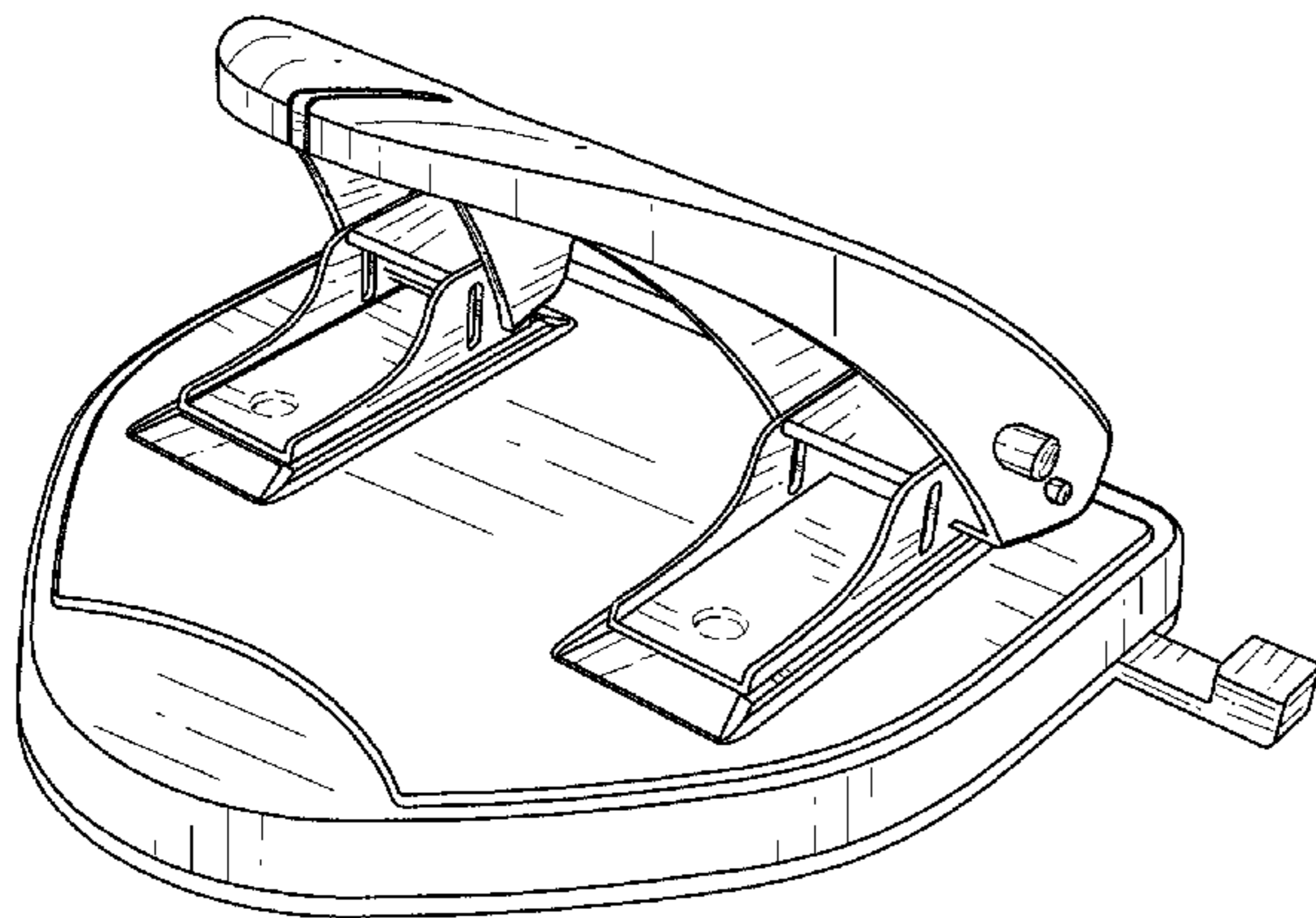
(57) **CLAIM**

The ornamental design for a two-hole punch, as shown and described.

DESCRIPTION

FIG. 1 is an upper front right perspective view of a two-hole punch showing my new design; FIG. 2 is a front elevation view thereof; FIG. 3 is a rear elevation view thereof; FIG. 4 is a right side elevation view thereof; FIG. 5 is a left side elevation view thereof; FIG. 6 is a top plan view thereof; and, FIG. 7 is a bottom plan view thereof.

1 Claim, 7 Drawing Sheets



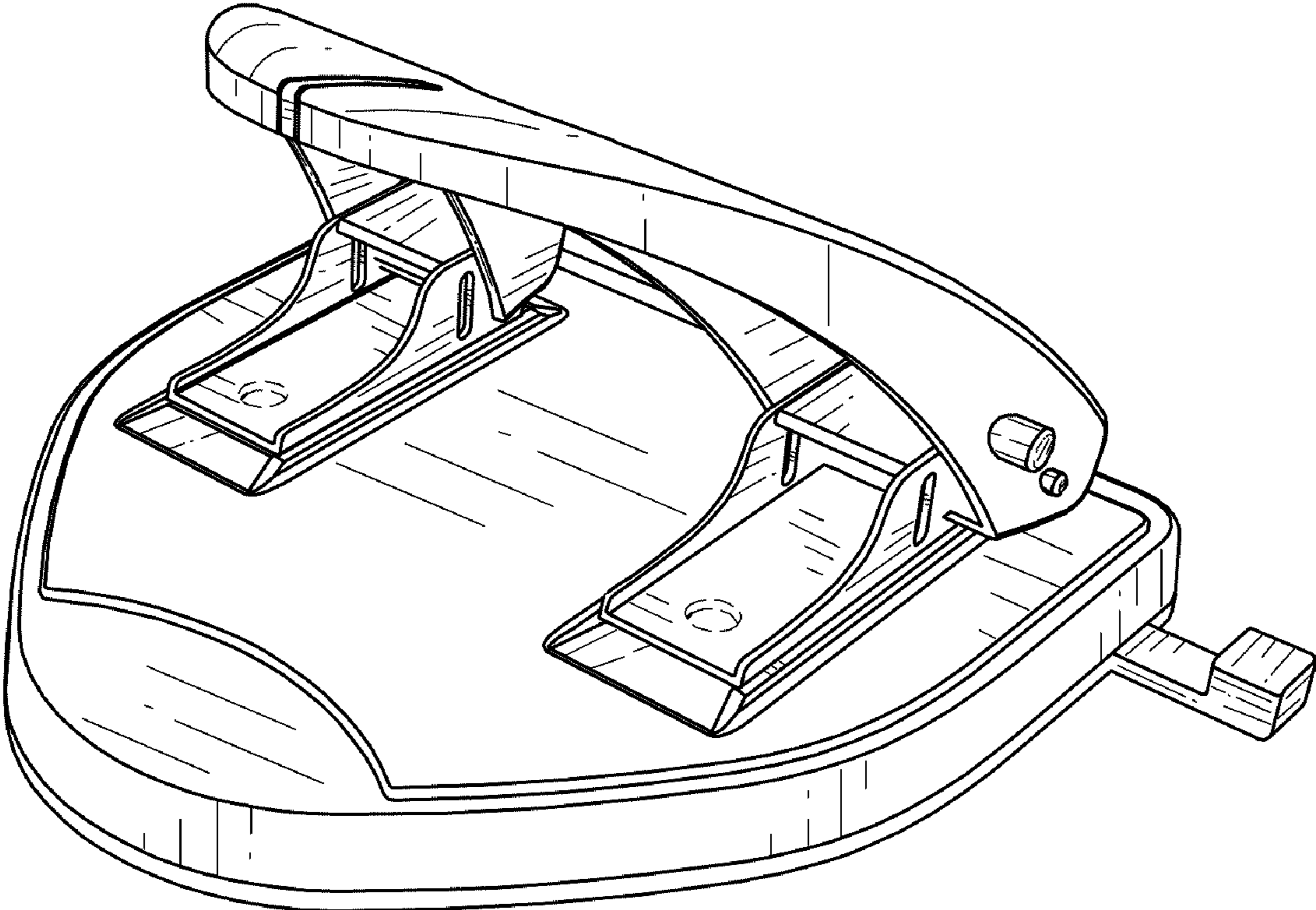


Fig. 1.

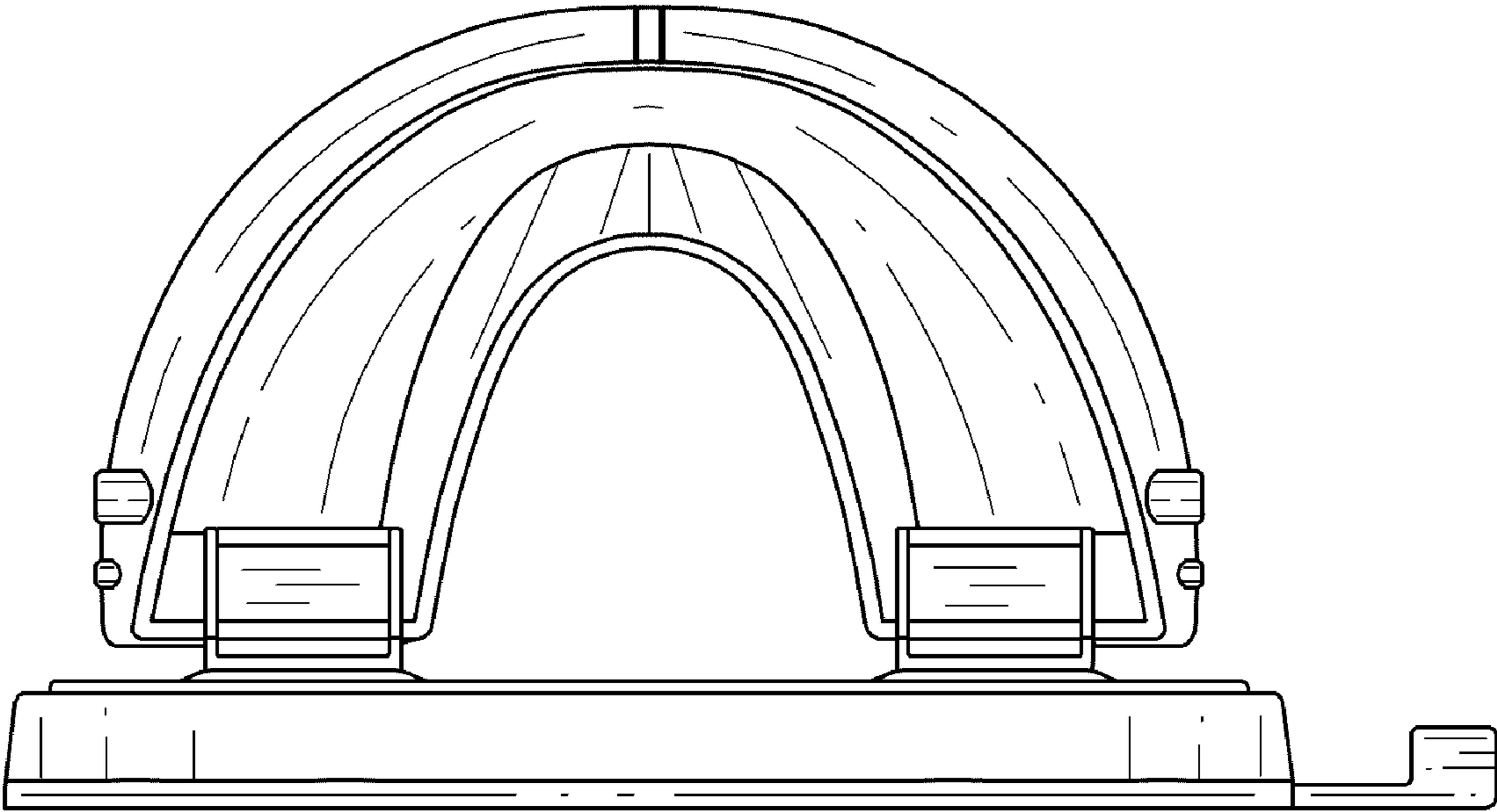


Fig. 2.

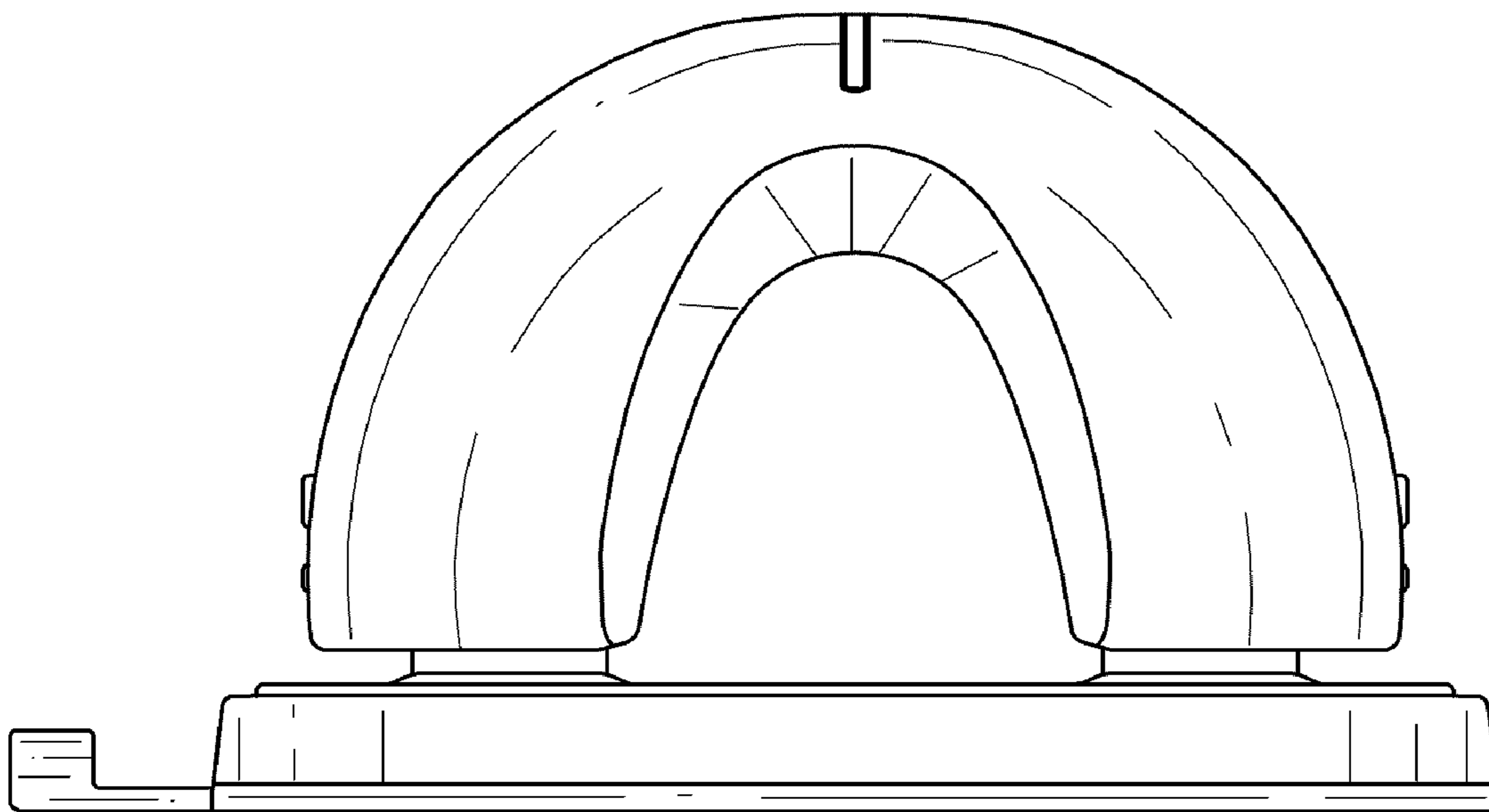


Fig. 3.

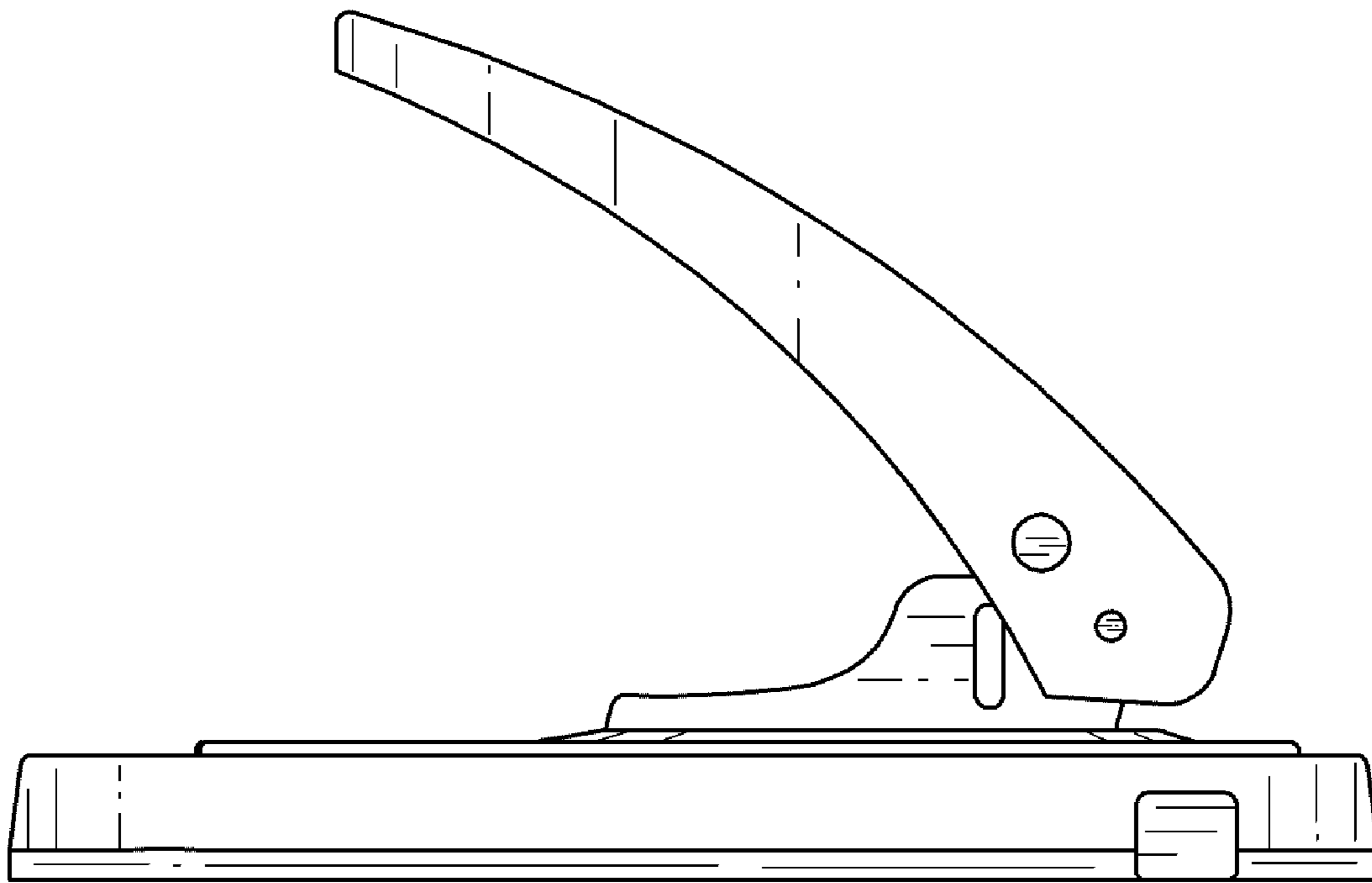


Fig. 4.

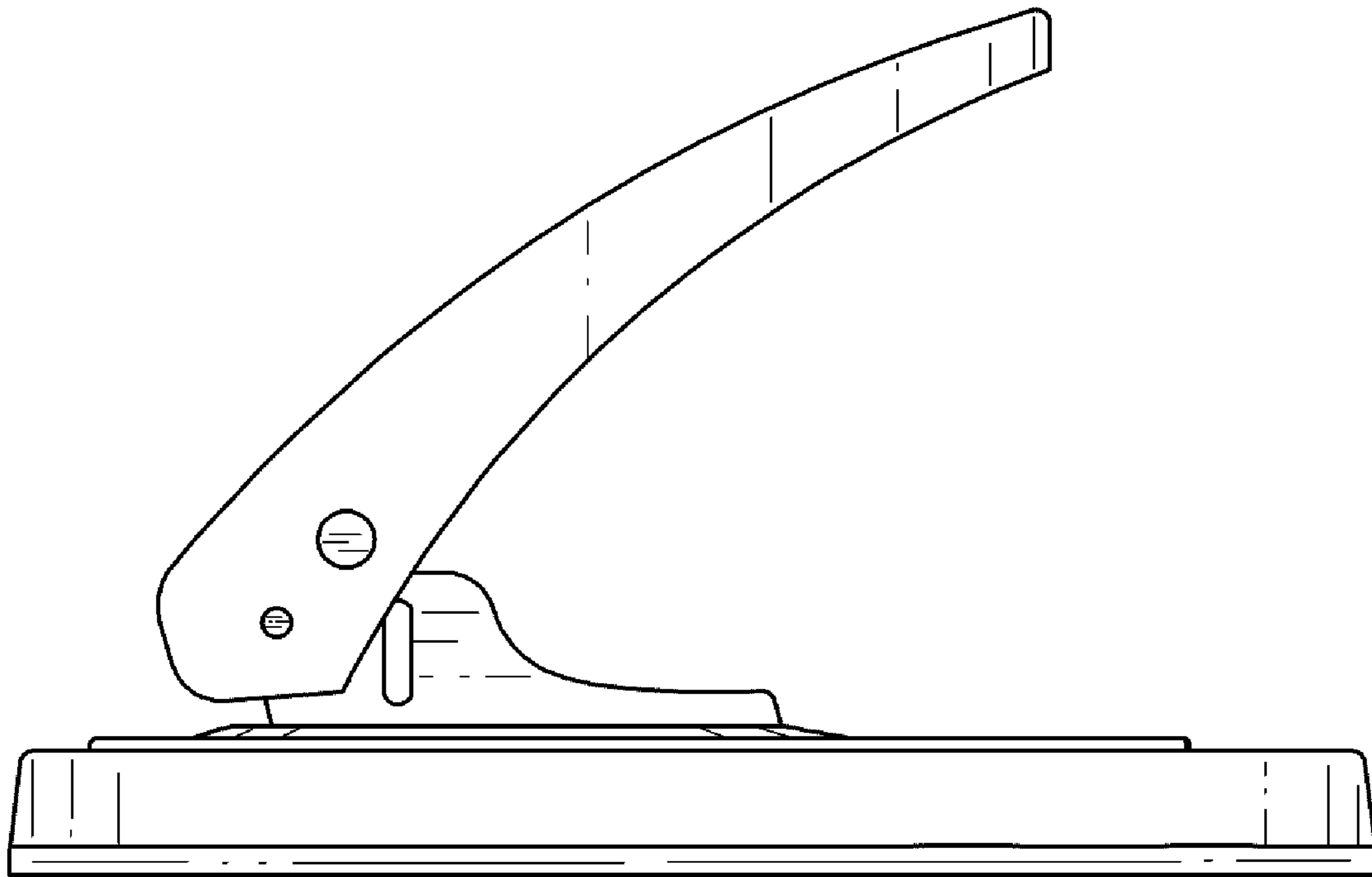


Fig. 5.

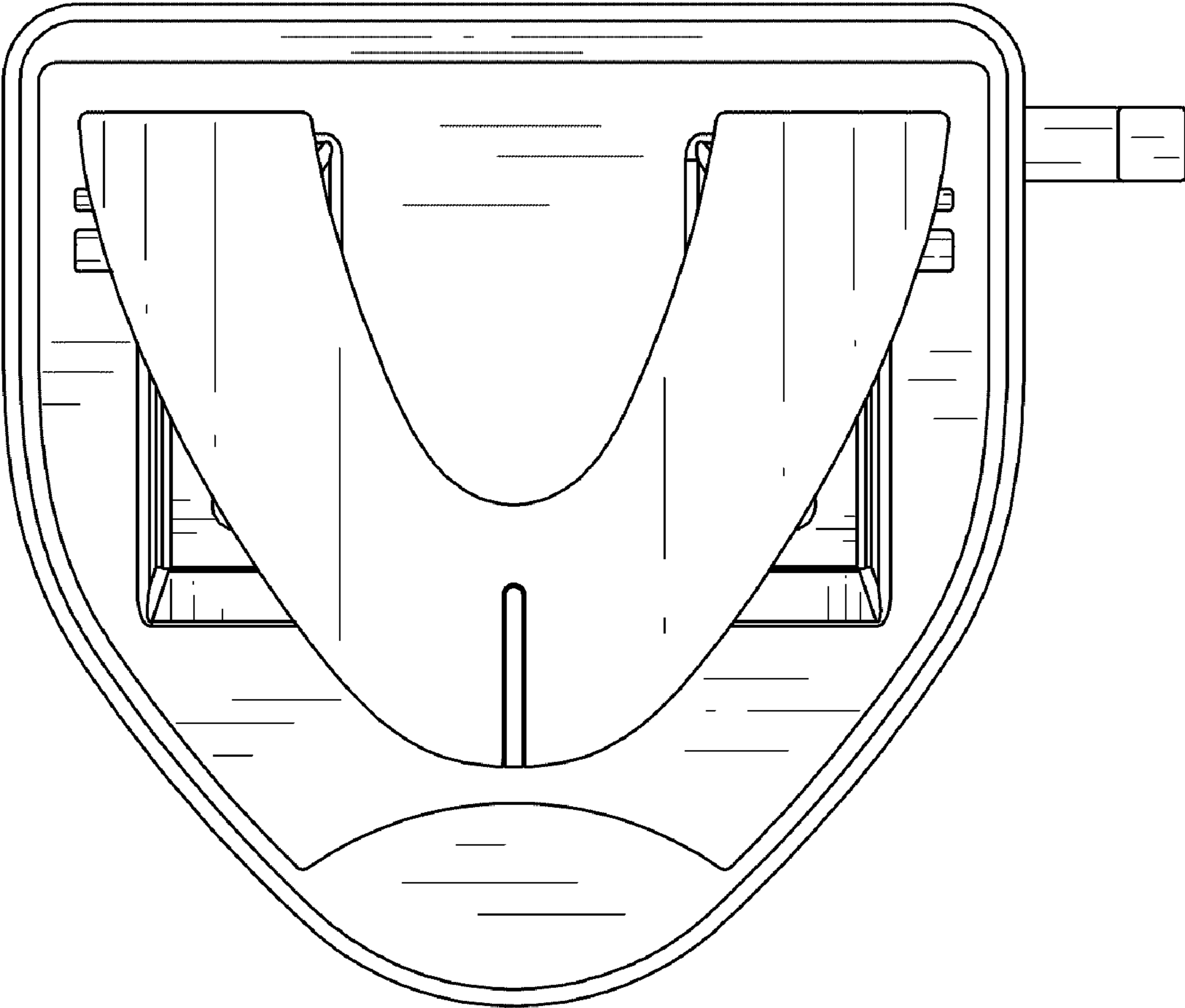


Fig. 6.

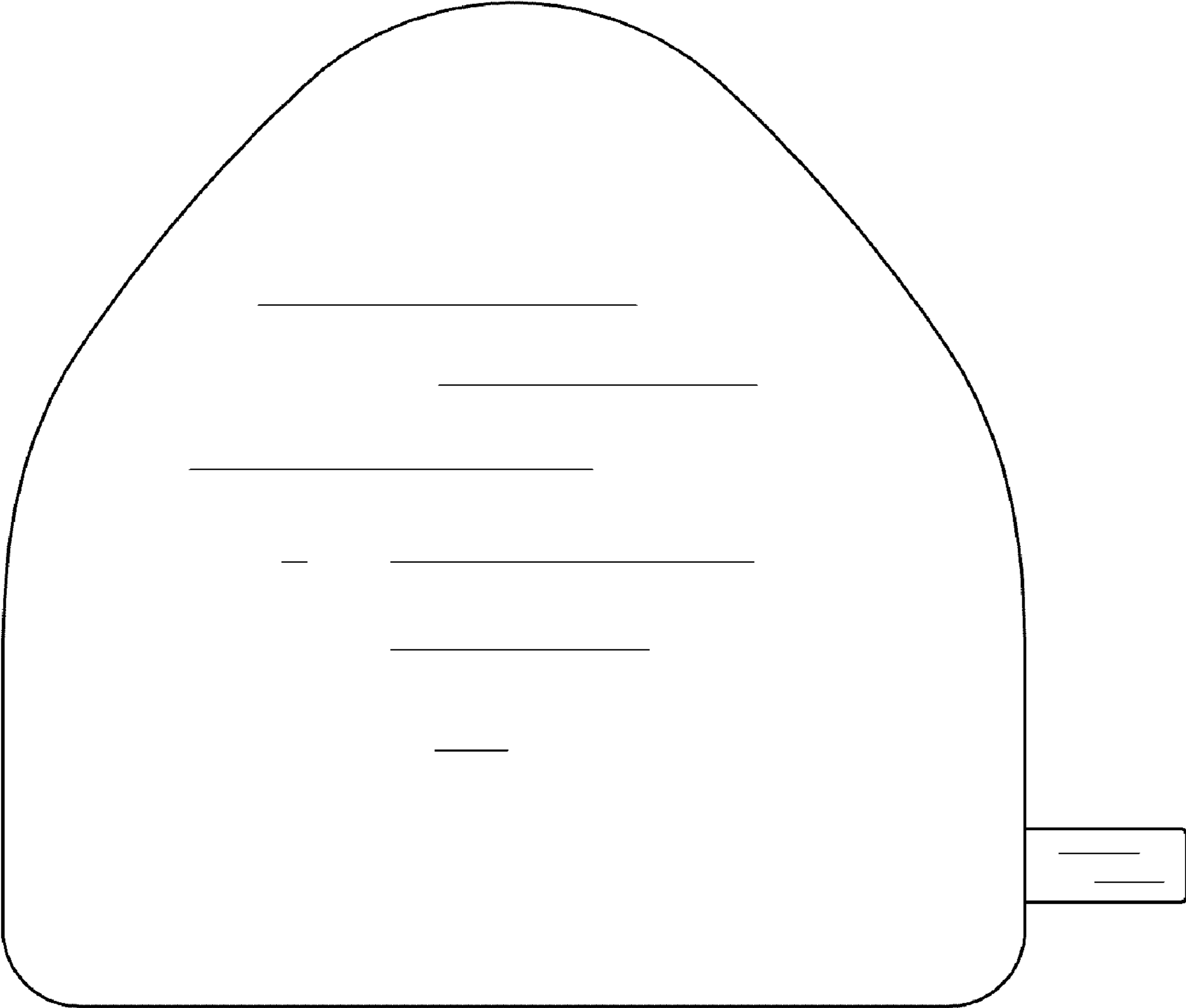


Fig. 7.