



US00D648393S

(12) **United States Design Patent**  
**Kai et al.**

(10) **Patent No.:** **US D648,393 S**

(45) **Date of Patent:** **\*\* Nov. 8, 2011**

(54) **CARTRIDGE FOR COATING FILM  
TRANSFER TOOL**

(75) Inventors: **Keiji Kai**, Osaka (JP); **Hideto Shima**,  
Kyoto (JP)

(73) Assignee: **Kokuyo Co., Ltd.**, Osaka (JP)

(\*\*) Term: **14 Years**

(21) Appl. No.: **29/329,701**

(22) Filed: **Dec. 19, 2008**

(30) **Foreign Application Priority Data**

Jun. 20, 2008 (JP) ..... 2008-015754

(51) **LOC (9) Cl.** ..... **19-02**

(52) **U.S. Cl.** ..... **D19/69**

(58) **Field of Classification Search** ..... D19/66,  
D19/67, 68, 69, 70; 156/523, 257, 540, 577;  
206/411; 225/6, 25, 39, 77; 242/588, 588.1,  
242/588.2, 588.3, 588.6, 5

See application file for complete search history.

(56) **References Cited**

**U.S. PATENT DOCUMENTS**

D355,934 S *	2/1995	Oga et al.	.....	D19/69
D421,059 S *	2/2000	Shimizu	.....	D19/69
D424,619 S *	5/2000	Katami	.....	D19/69
D436,625 S *	1/2001	Katami	.....	D19/69
D446,246 S *	8/2001	Kimura	.....	D19/69
D456,450 S *	4/2002	Kimura	.....	D19/69
D476,035 S *	6/2003	Katami	.....	D19/69
D494,221 S *	8/2004	Suzuki	.....	D19/69
D498,498 S *	11/2004	Ono	.....	D19/69
D524,373 S *	7/2006	Kimura	.....	D19/69
D527,766 S *	9/2006	Mitsui et al.	.....	D19/69
D543,239 S *	5/2007	Suzuki	.....	D19/69
D555,200 S *	11/2007	Ono	.....	D19/69
D559,911 S *	1/2008	Kai et al.	.....	D19/69
D559,912 S *	1/2008	Kai et al.	.....	D19/69

D571,402 S *	6/2008	Kai et al.	.....	D19/69
D574,431 S *	8/2008	Kouda	.....	D19/69
D577,771 S *	9/2008	Kouda	.....	D19/69
D598,498 S *	8/2009	Kinugasa et al.	.....	D19/69
2005/0155717 A1 *	7/2005	Mitsui et al.	.....	156/577

**FOREIGN PATENT DOCUMENTS**

JP D1226771 S 1/2005

**OTHER PUBLICATIONS**

Japanese Design Application No. 2008-015754: Office Action dated Mar. 13, 2009.

\* cited by examiner

*Primary Examiner* — Austin Murphy

(74) *Attorney, Agent, or Firm* — Dennis R. Haszko

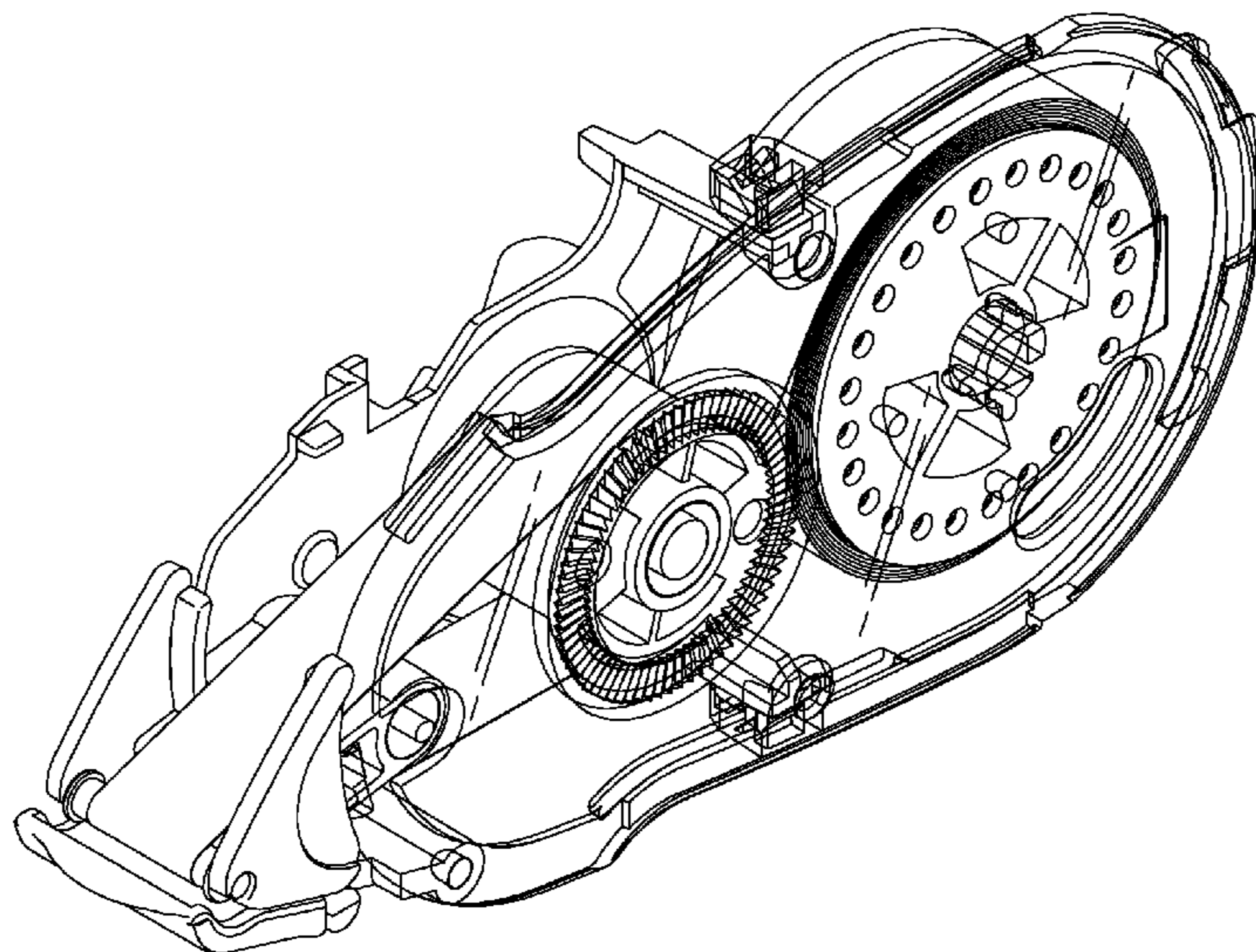
(57) **CLAIM**

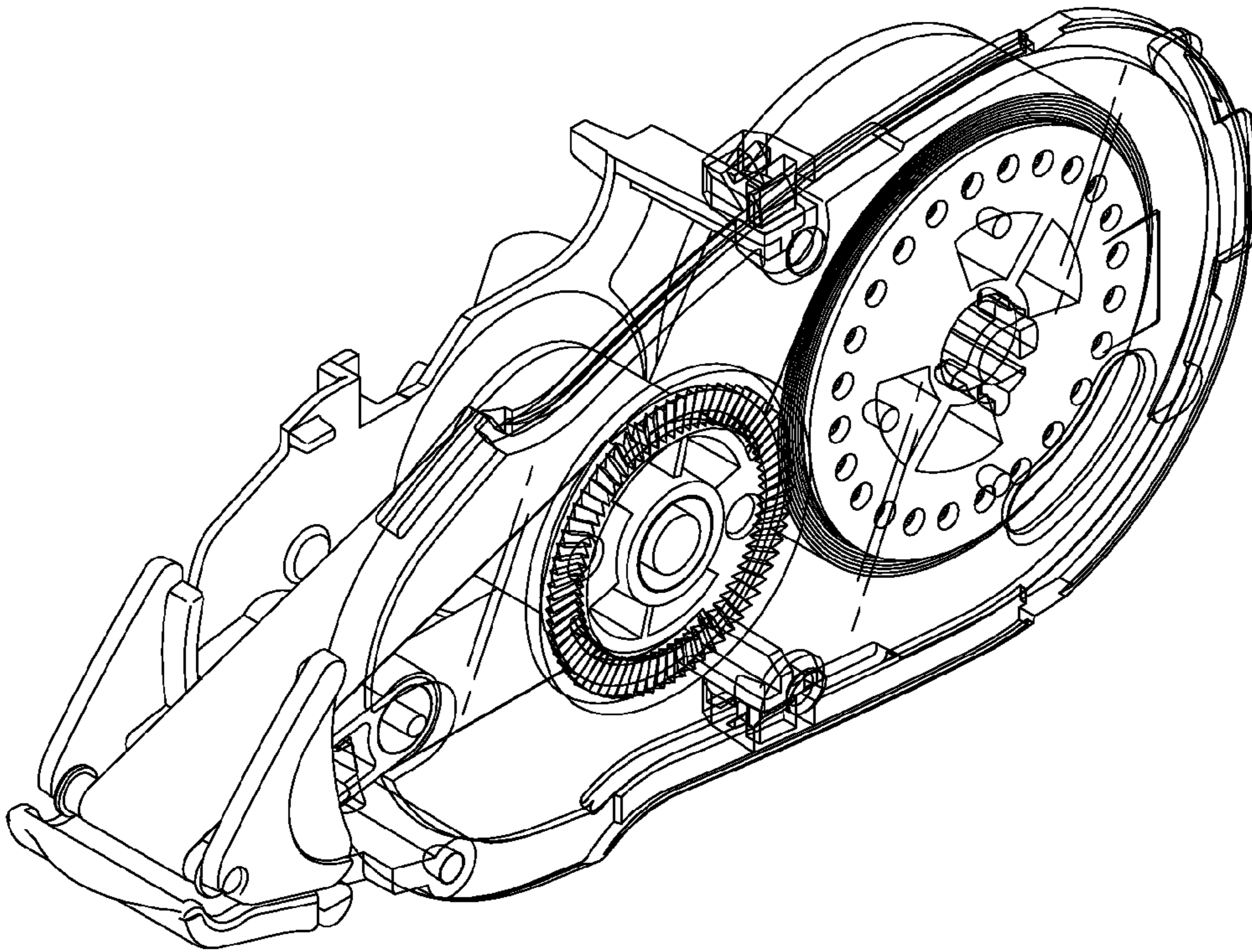
The ornamental design for a cartridge for coating film transfer tool, as shown and described.

**DESCRIPTION**

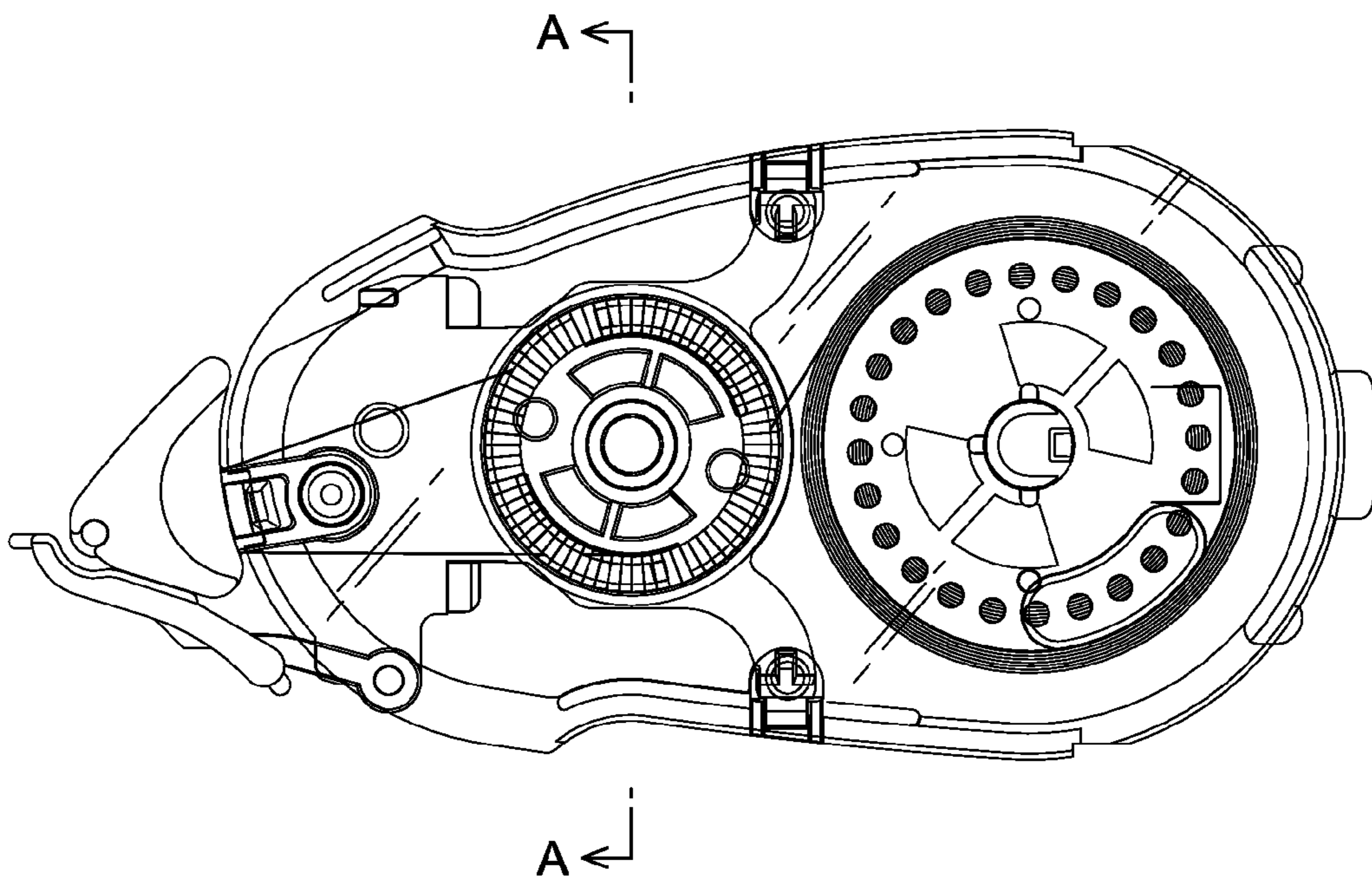
FIG. 1 is a perspective view of the cartridge for coating film transfer tool showing the design;  
 FIG. 2 is a front view thereof;  
 FIG. 3 is a rear view thereof;  
 FIG. 4 is a plan view thereof;  
 FIG. 5 is a bottom view thereof;  
 FIG. 6 is a right side view thereof;  
 FIG. 7 is a left side view thereof;  
 FIG. 8 is a cross-sectional view thereof along line A-A of FIG. 2;  
 FIG. 9 is a front view thereof;  
 FIG. 10 is a cross-sectional view thereof taken along line B-C-D of FIG. 9;  
 FIG. 11 is a cross-sectional view thereof taken along line E-F-G-H of FIG. 9; and,  
 FIG. 12 is a front view thereof without a tape mounted therein.

**1 Claim, 6 Drawing Sheets**

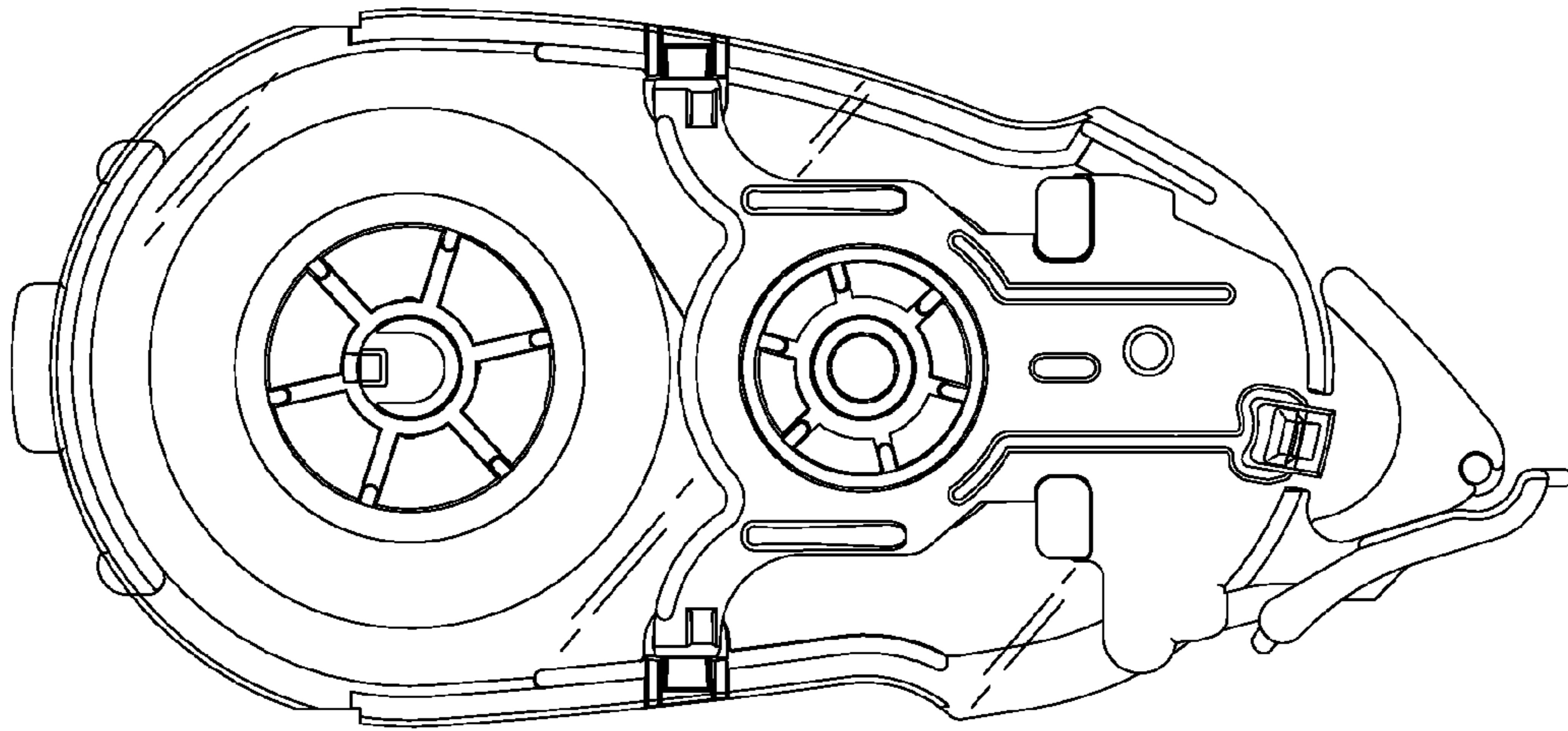




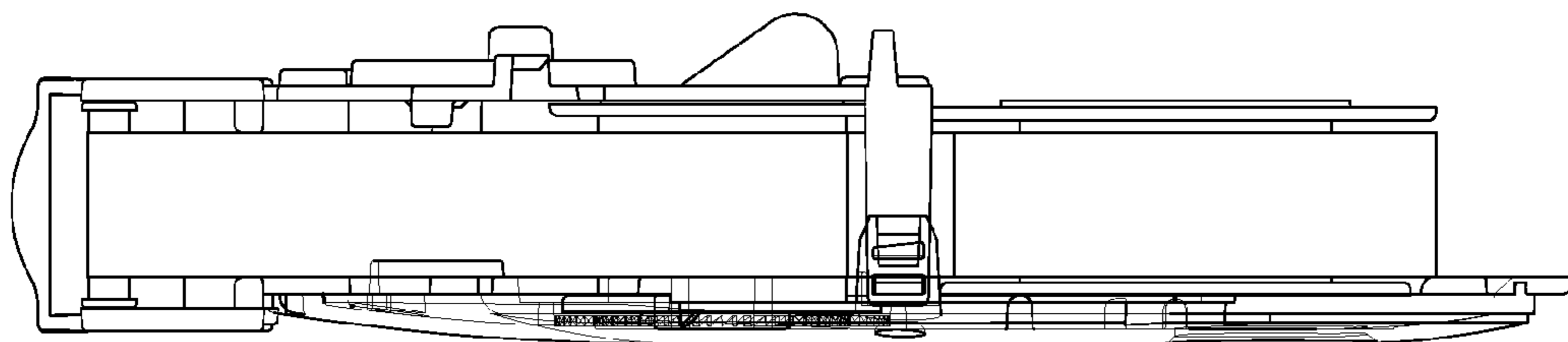
**FIG. 1**



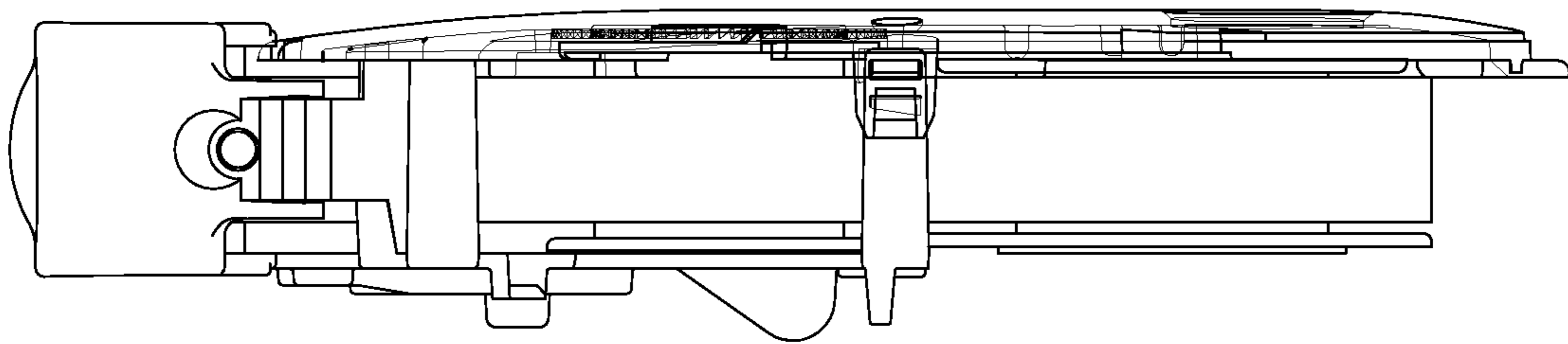
**FIG. 2**



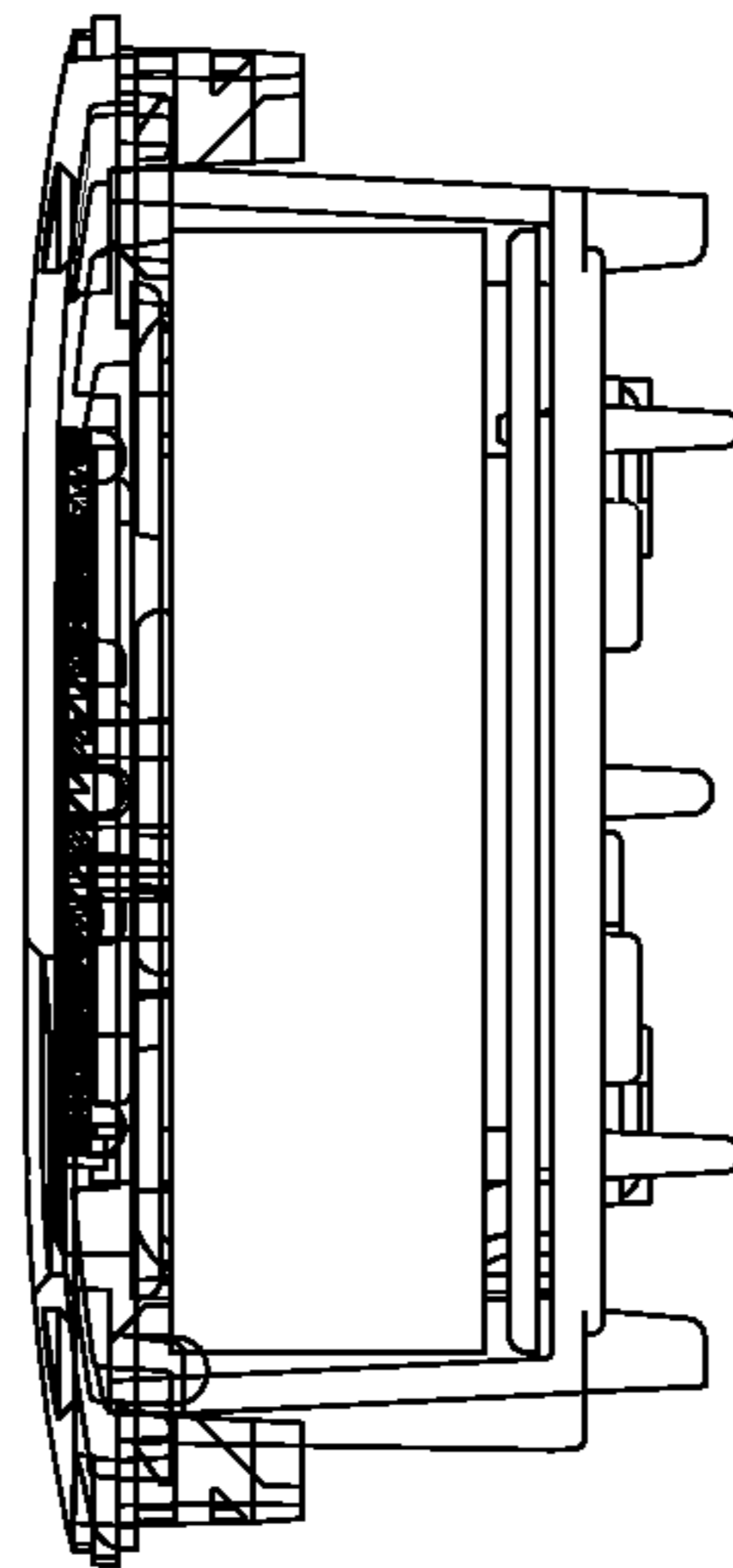
**FIG. 3**



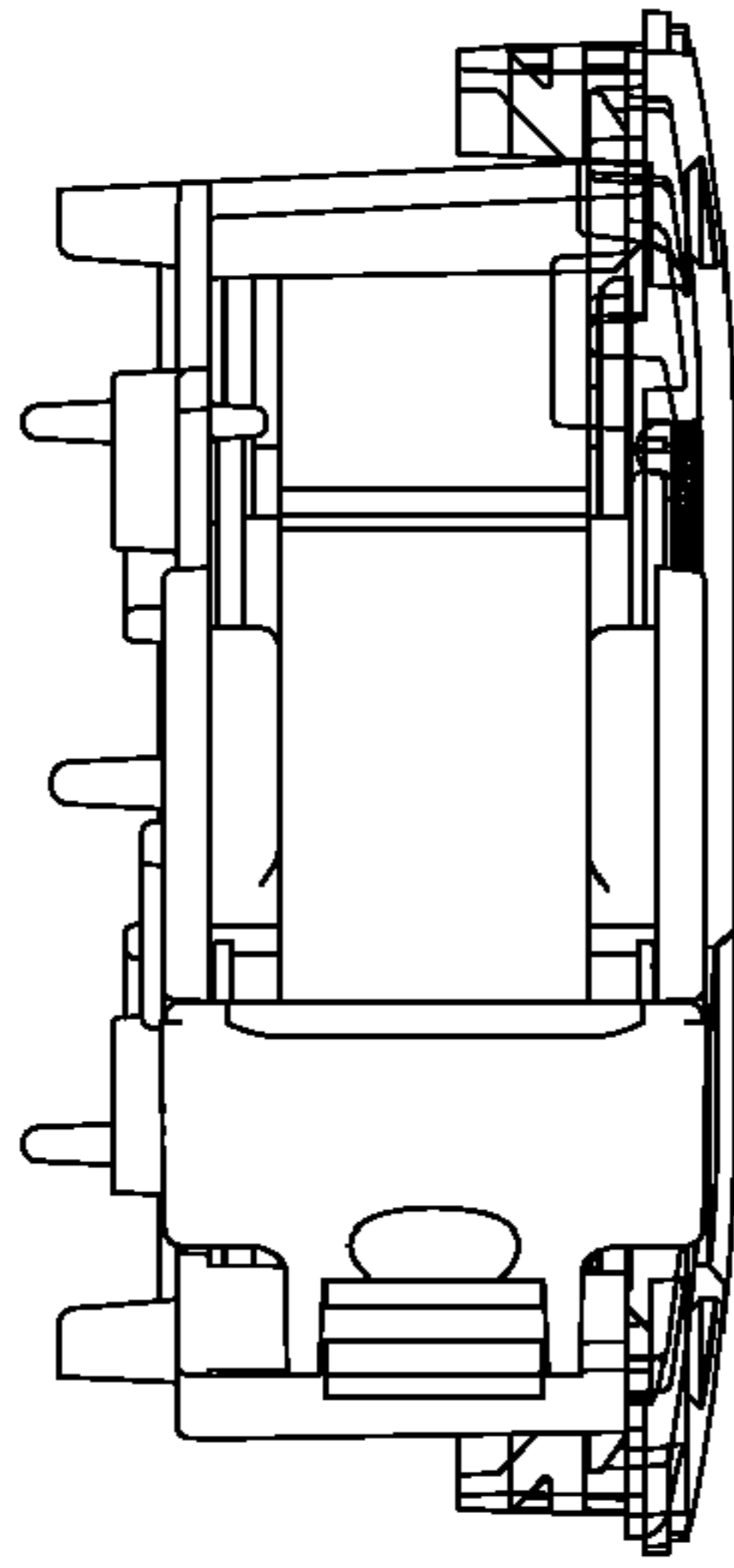
**FIG. 4**



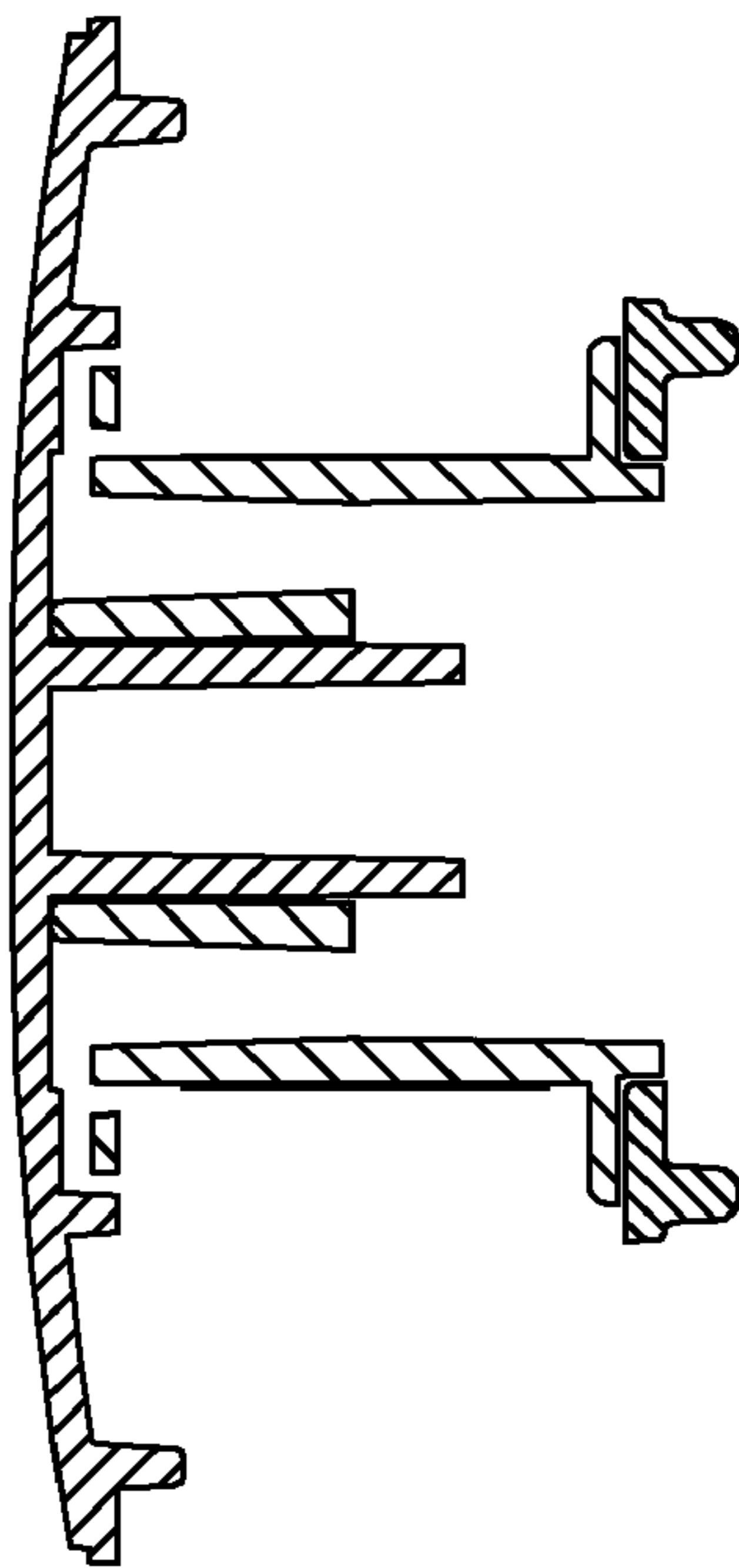
**FIG. 5**



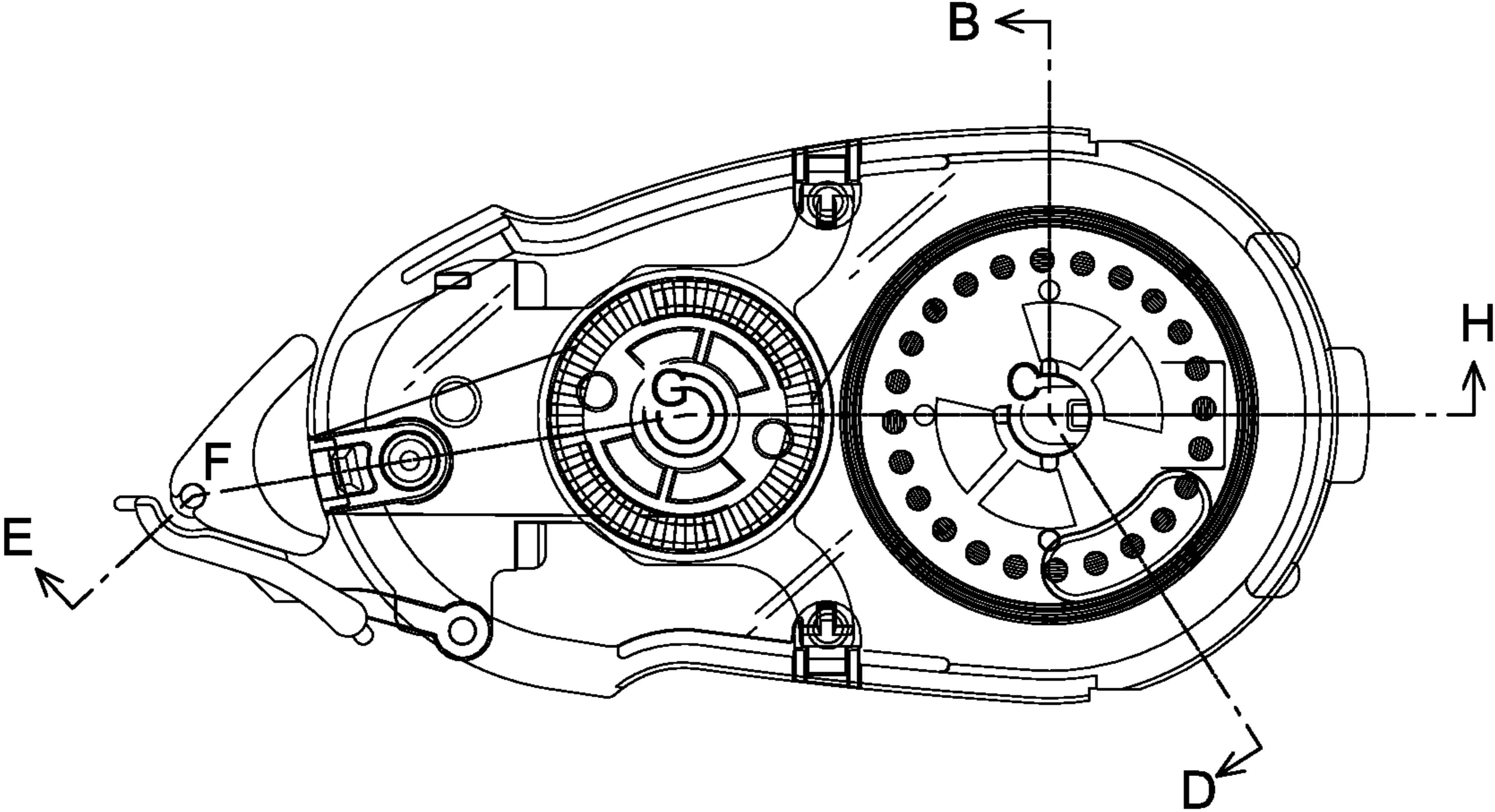
**FIG. 6**



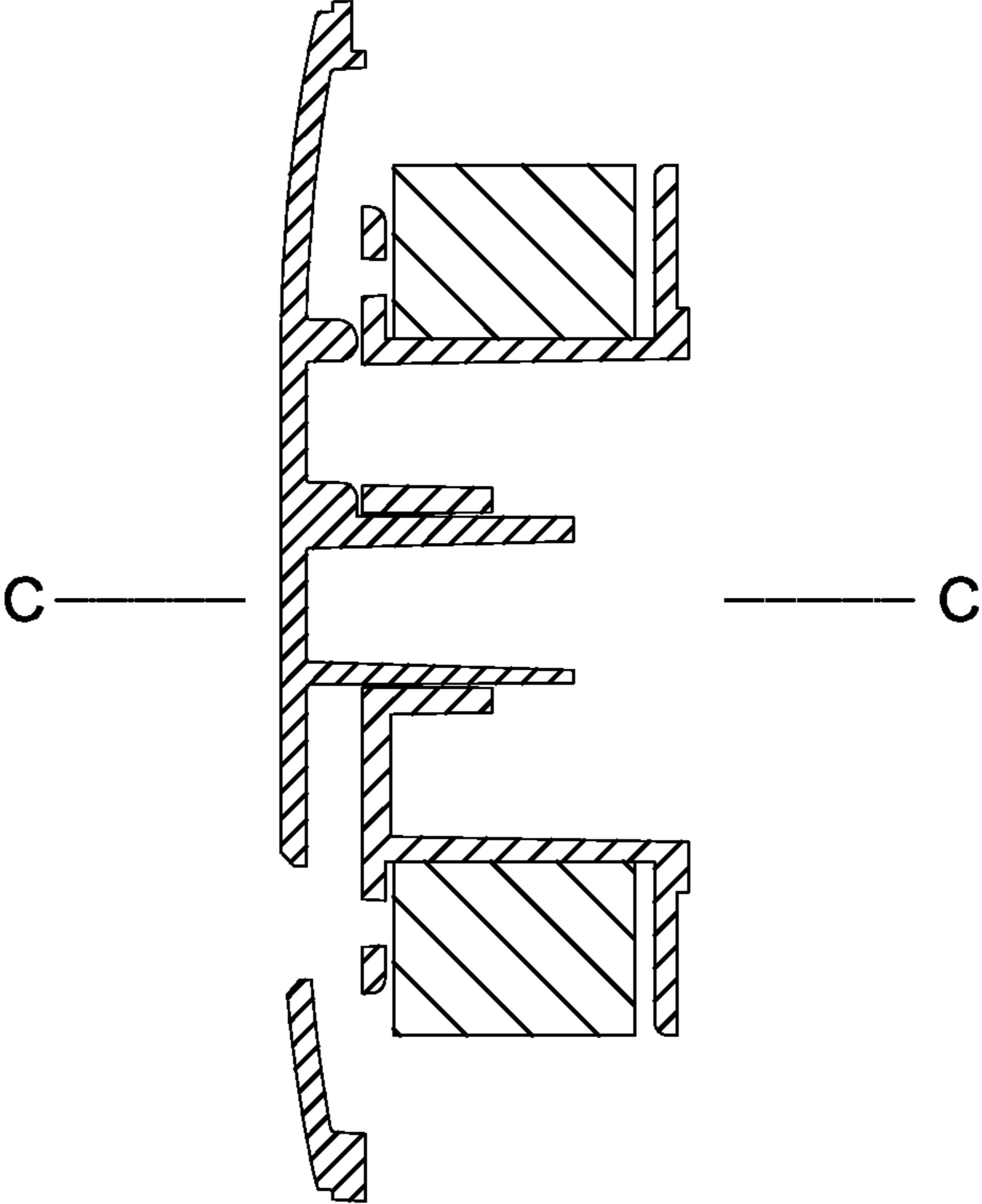
**FIG. 7**



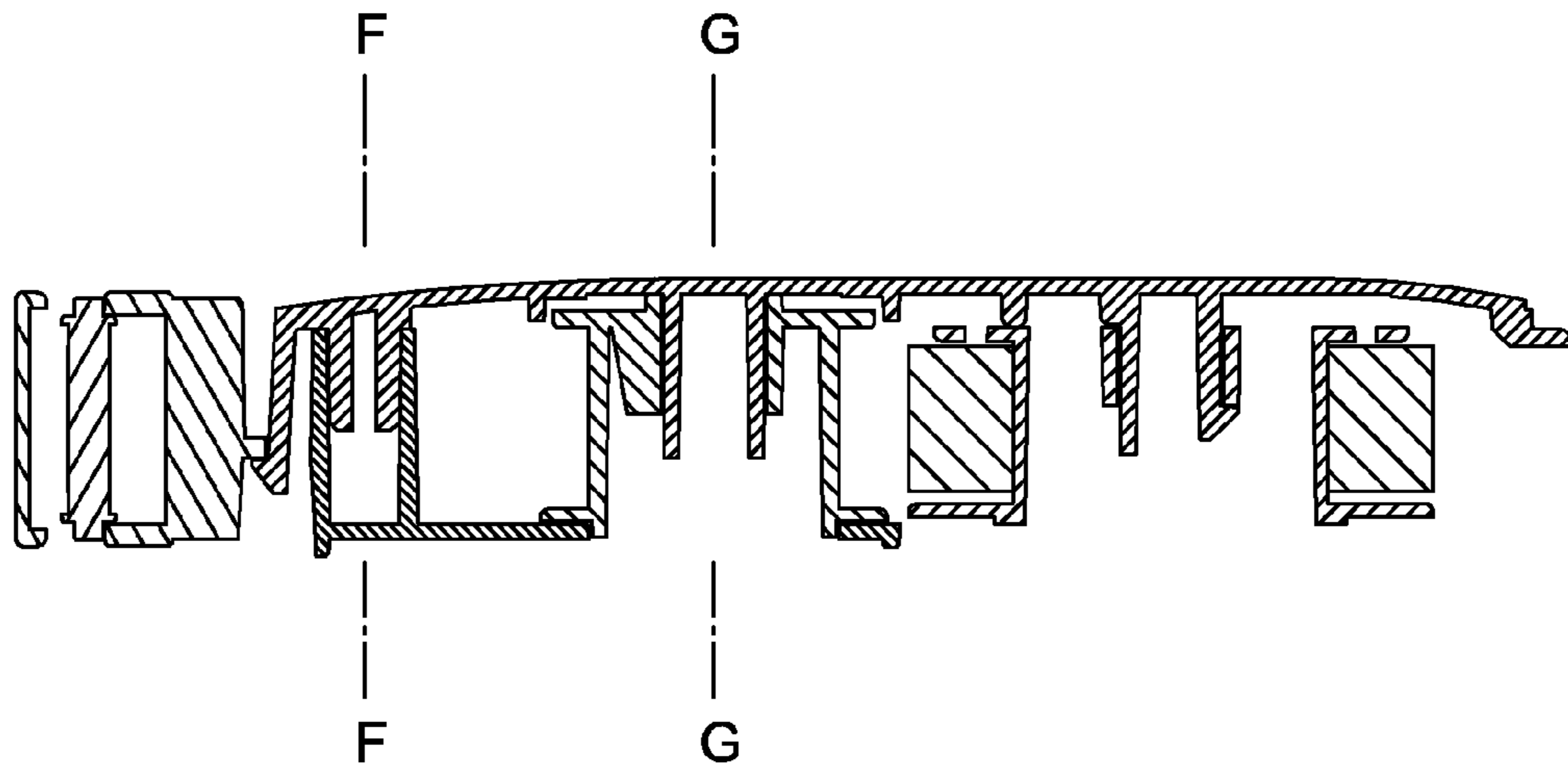
**FIG. 8**



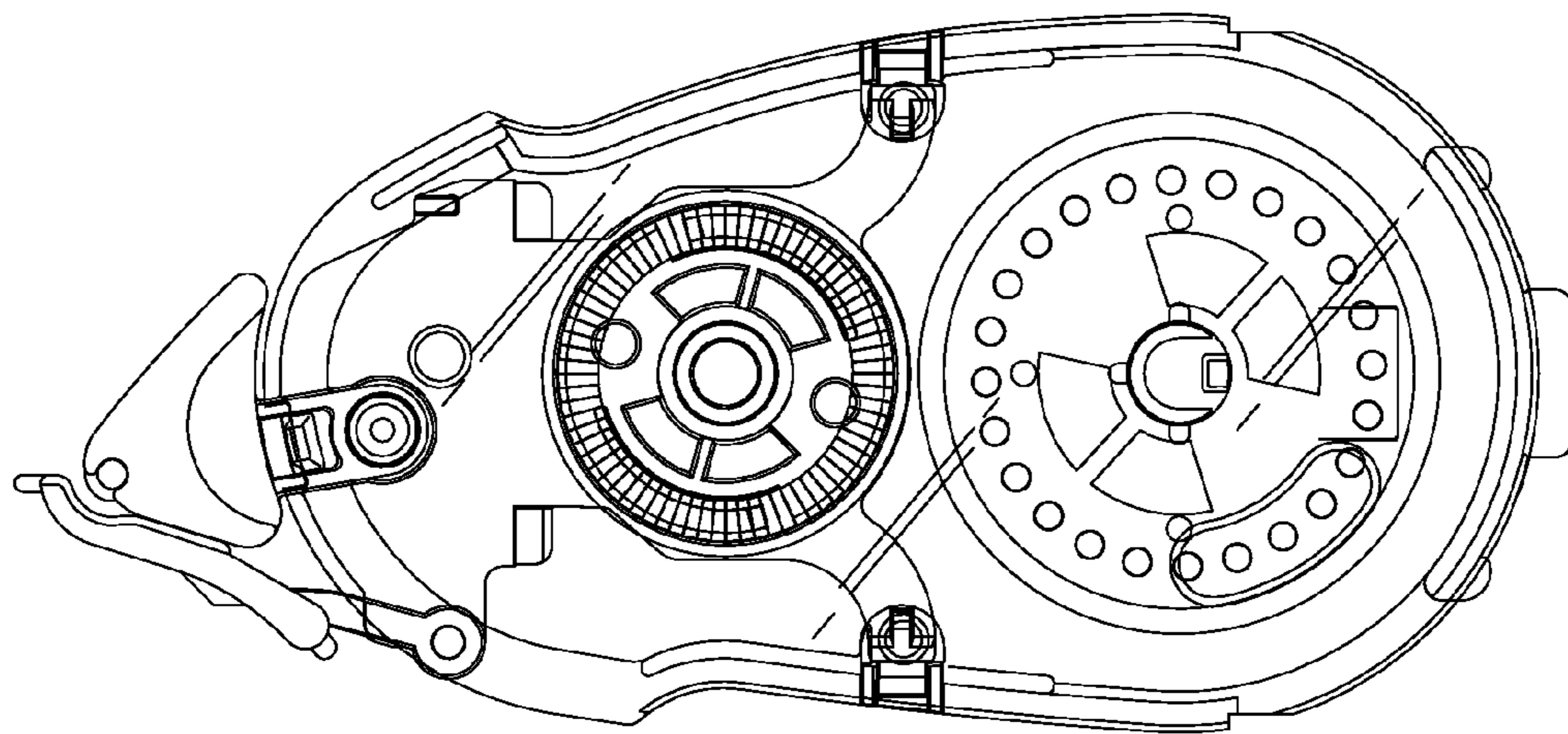
**FIG. 9**



**FIG. 10**



**FIG. 11**



**FIG. 12**