



US00D648386S

(12) **United States Design Patent**
Zhang

(10) **Patent No.:** **US D648,386 S**
(45) **Date of Patent:** **** Nov. 8, 2011**

(54) **PEN**
(75) **Inventor:** **Binhun Zhang**, Ningbo (CN)
(73) **Assignee:** **Beifa Group Co., Ltd.**, Ningbo (CN)
(**) **Term:** **14 Years**
(21) **Appl. No.:** **29/383,985**
(22) **Filed:** **Jan. 25, 2011**

D546,386 S *	7/2007	Qiu	D19/43
D546,387 S	7/2007	Qiu		
D547,802 S *	7/2007	Jeon	D19/43
D549,775 S *	8/2007	Kent et al.	D19/48
D552,175 S *	10/2007	Boerio	D19/49
D586,853 S *	2/2009	Tan	D19/49
D586,854 S *	2/2009	Tan	D19/49
D612,426 S *	3/2010	Suero et al.	D19/41
D621,876 S *	8/2010	Gerules	D19/50
D626,997 S *	11/2010	Gerules	D19/50
D641,787 S *	7/2011	Tan	D19/48

(30) **Foreign Application Priority Data**
Jul. 25, 2010 (CN) 2010 3 0254589
(51) **LOC (9) Cl.** **19-06**
(52) **U.S. Cl.** **D19/43**
(58) **Field of Classification Search** D19/35,
D19/36, 41-51, 54-58; 24/11 R, 11 F, 11 P;
401/52, 99, 100, 192, 195, 196; D14/411
See application file for complete search history.

OTHER PUBLICATIONS

Guo, Y., "Pen," U.S. Appl. No. 29/379,463, filed Nov. 29, 2010.
Zhang, B., "Pen," U.S. Appl. No. 29/384,510, filed Jan. 31, 2011.
Zhang, B., "Pen," U.S. Appl. No. 29/386,543, filed Mar. 2, 2011.

* cited by examiner

Primary Examiner — Elizabeth Albert
(74) *Attorney, Agent, or Firm* — Christensen O'Connor
Johnson Kindness PLLC

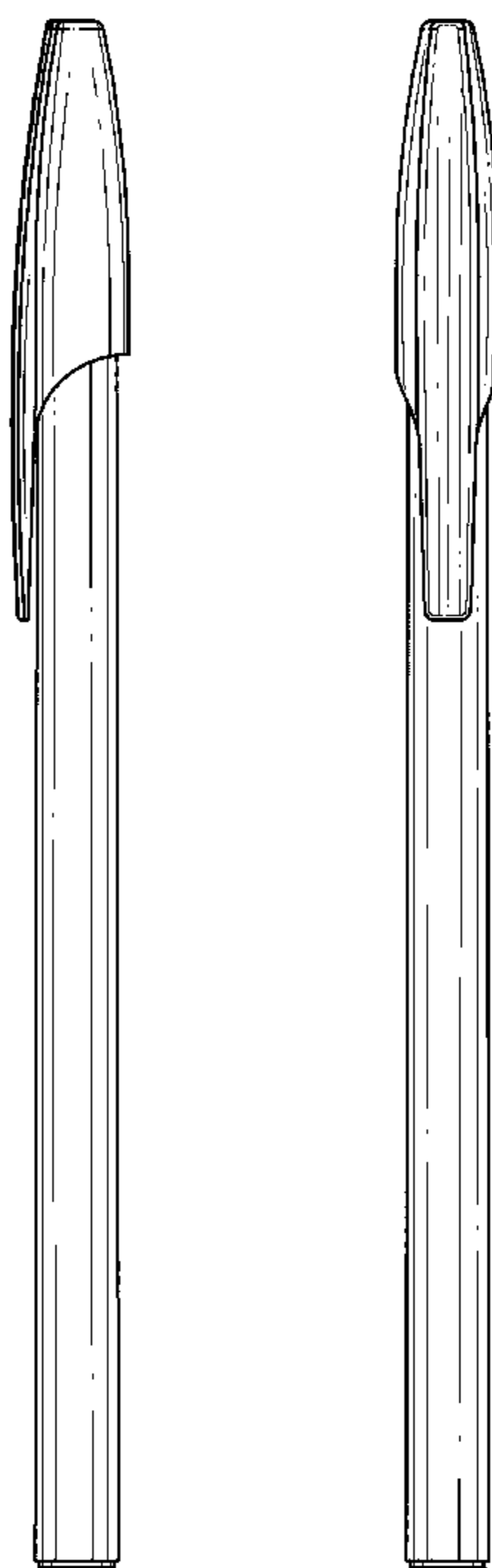
(57) **CLAIM**
The ornamental design for a pen, as shown and described.

(56) **References Cited**
U.S. PATENT DOCUMENTS
D205,645 S * 8/1966 Lovejoy D19/49
D217,647 S * 5/1970 DeGroft D19/57
D221,033 S * 6/1971 Wakai D19/43
D328,311 S * 7/1992 Nitta D19/49
D377,194 S * 1/1997 Young D19/48
D389,863 S 1/1998 Nguyen
D446,245 S * 8/2001 Chuang D19/57
D465,519 S * 11/2002 Kennedy et al. D19/43
D499,138 S 11/2004 Banderet
D530,745 S 10/2006 Kent
D530,748 S * 10/2006 Kent et al. D19/57
D539,346 S * 3/2007 Song D19/43

DESCRIPTION

FIG. 1 is a lower front left perspective view of a pen showing my new design;
FIG. 2 is a right side elevation view thereof, with the left side elevation view being a minor image of the right side elevation view;
FIG. 3 is a front elevation view thereof;
FIG. 4 is a rear elevation view thereof;
FIG. 5 is an enlarged top plan view thereof; and,
FIG. 6 is an enlarged bottom plan view thereof.

1 Claim, 3 Drawing Sheets



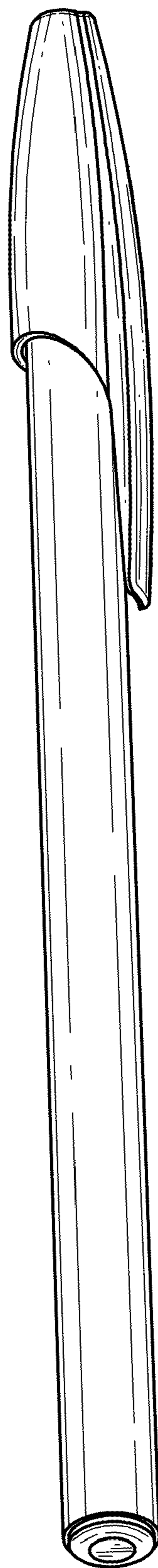


Fig. 1.

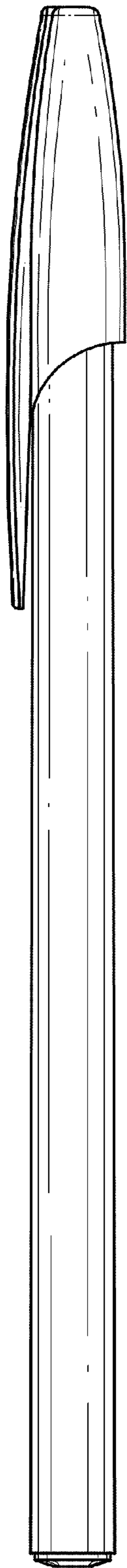


Fig. 2.

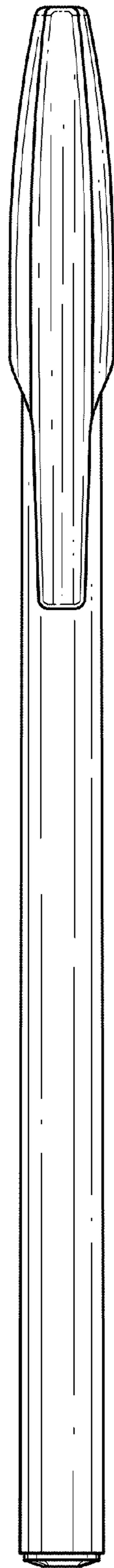


Fig. 3.

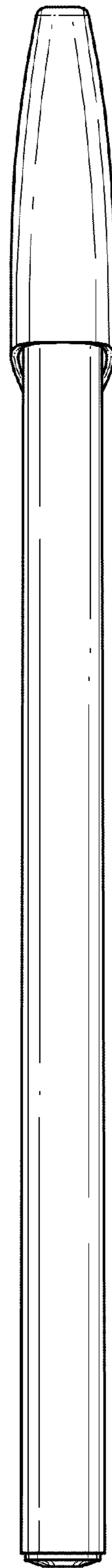


Fig. 4.

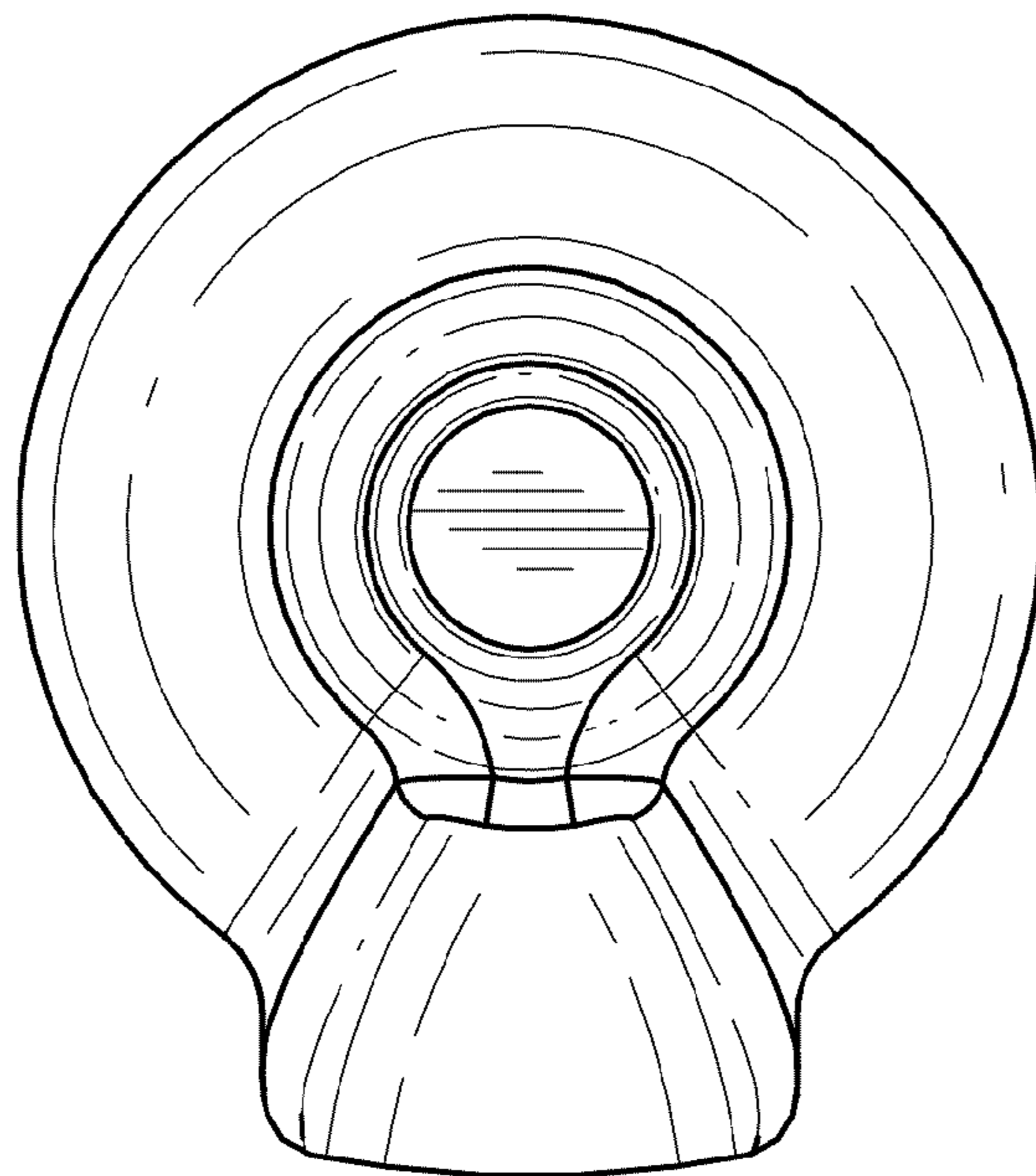


Fig. 5.

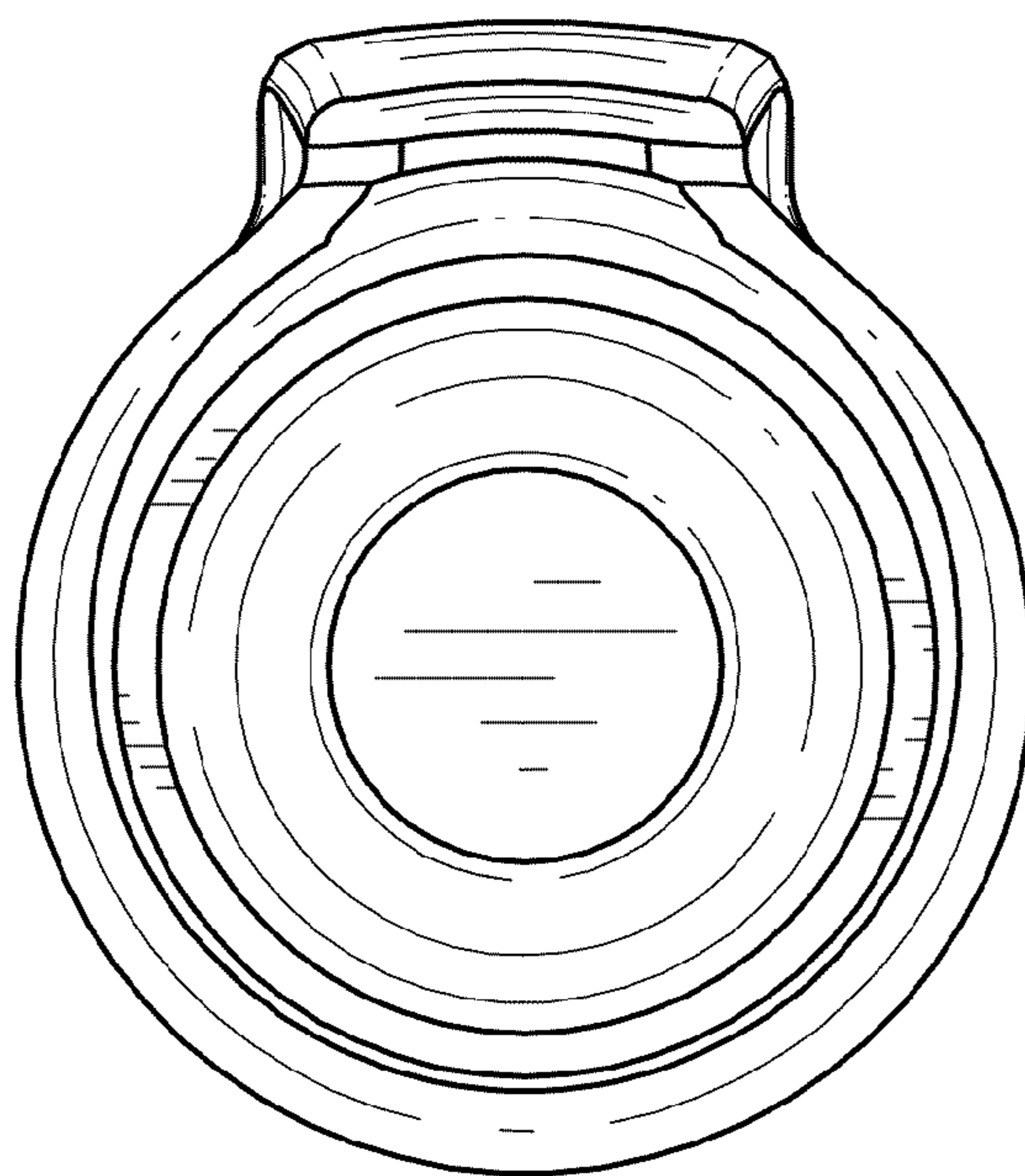


Fig. 6.

UNITED STATES PATENT AND TRADEMARK OFFICE
CERTIFICATE OF CORRECTION

PATENT NO. : D648,386 S
APPLICATION NO. : 29/383985
DATED : November 8, 2011
INVENTOR(S) : B. Zhang

Page 1 of 1

It is certified that error appears in the above-identified patent and that said Letters Patent is hereby corrected as shown below:

On the title page, item (57), Pg. 1, col. 2	Description 4 of text	“a minor image” should read --a mirror image--
---	--------------------------	---

Signed and Sealed this
Eighth Day of May, 2012



David J. Kappos
Director of the United States Patent and Trademark Office