



US00D648385S

(12) **United States Design Patent**
Guo

(10) **Patent No.:** **US D648,385 S**
(45) **Date of Patent:** **** Nov. 8, 2011**

(54) **PEN**
(75) Inventor: **Yuanqi Guo**, Ningbo (CN)
(73) Assignee: **Beifa Group Co., Ltd.**, Ningbo (CN)
(**) Term: **14 Years**
(21) Appl. No.: **29/379,463**

D596,230 S * 7/2009 Tan D19/43
D601,196 S 9/2009 Zhang
D601,627 S * 10/2009 Liu D19/51
D611,096 S * 3/2010 Liu D19/49
D612,426 S * 3/2010 Suero et al. D19/41
D616,935 S * 6/2010 Zhang D19/48
D622,770 S 8/2010 Shi
D638,061 S * 5/2011 Wang D19/48
D641,402 S * 7/2011 Tan D19/43

(22) Filed: **Nov. 19, 2010**

(30) **Foreign Application Priority Data**

May 28, 2010 (CN) 2010 3 0190773
(51) **LOC (9) Cl.** **19-06**
(52) **U.S. Cl.** **D19/43**
(58) **Field of Classification Search** D19/35,
D19/36, 41-51, 54-58; 24/11 R, 11 F, 11 P;
401/52, 99, 100, 192, 195, 196
See application file for complete search history.

OTHER PUBLICATIONS

Zhang, B., "Pen," U.S. Appl. No. 29/383,985, filed Jan. 25, 2011.
Zhang, B., "Pen," U.S. Appl. No. 29/384,510, filed Jan. 31, 2011.

* cited by examiner

Primary Examiner — Elizabeth Albert
(74) *Attorney, Agent, or Firm* — Christensen O'Connor
Johnson Kindness PLLC

(56) **References Cited**

U.S. PATENT DOCUMENTS

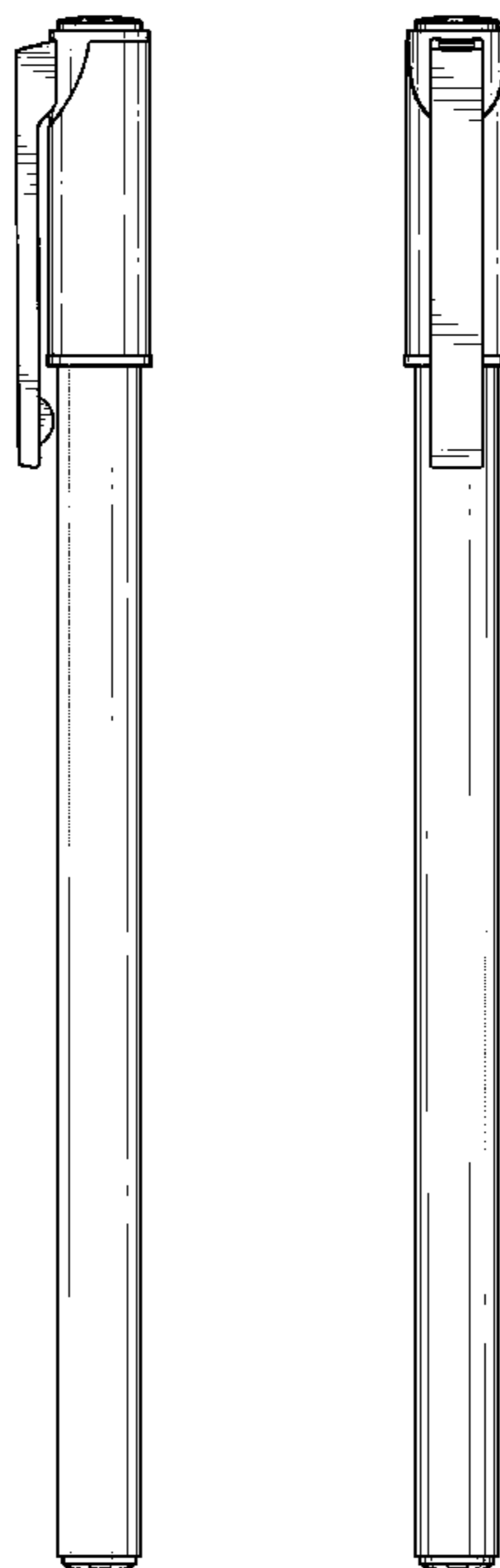
D305,245 S * 12/1989 Chuang D19/57
D326,868 S * 6/1992 Nitta D19/49
D345,578 S * 3/1994 Zier D19/48
D349,297 S * 8/1994 Shimizu D19/57
D391,153 S * 2/1998 Poisson et al. D19/48
D409,661 S * 5/1999 Izushima D19/57
D471,234 S 3/2003 Okutani
D540,864 S 4/2007 Kato
D546,387 S 7/2007 Qiu
D555,728 S 11/2007 Satoh
D562,398 S * 2/2008 Qiu et al. D19/51
D566,175 S 4/2008 Qiu
D568,932 S * 5/2008 Qiu et al. D19/43

(57) **CLAIM**
The ornamental design for a pen, as shown and described.

DESCRIPTION

FIG. 1 is an upper front left perspective view of a pen showing my new design;
FIG. 2 is a right side elevation view thereof, with the left side elevation view being a minor image of the right side elevation view;
FIG. 3 is a front elevation view thereof;
FIG. 4 is a rear elevation view thereof;
FIG. 5 is an enlarged top plan view thereof; and,
FIG. 6 is an enlarged bottom plan view thereof.
The broken lines shown in FIGS. 1 and 5 illustrate environmental subject matter and form no part of the claimed design.

1 Claim, 3 Drawing Sheets



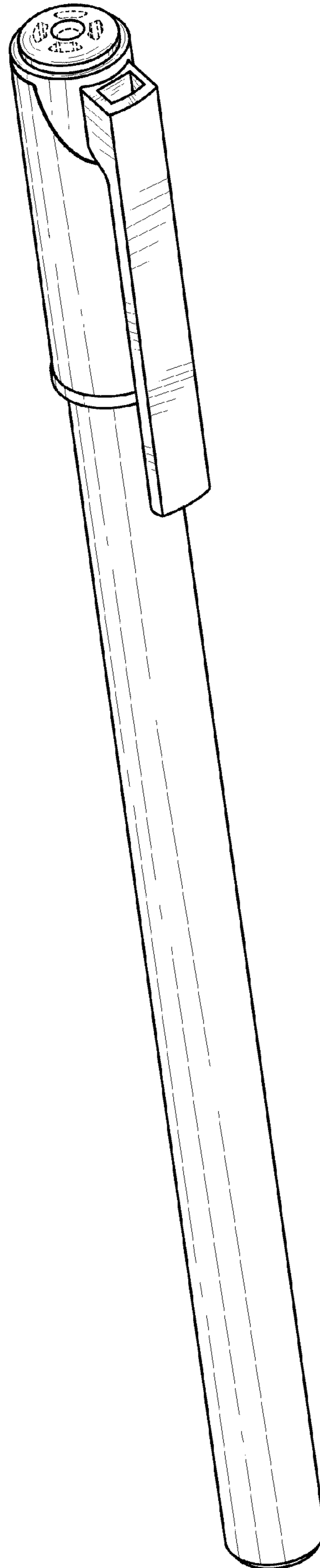


Fig. 1.

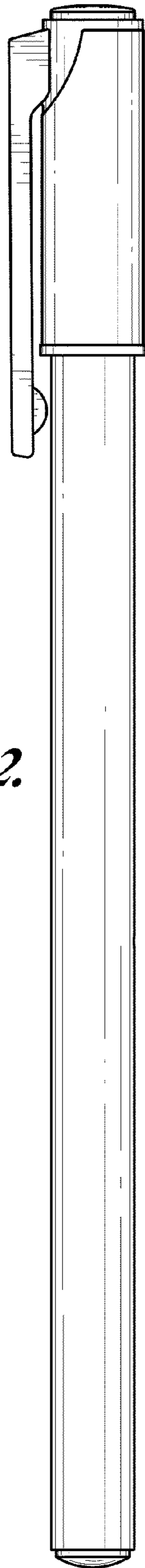


Fig. 2.

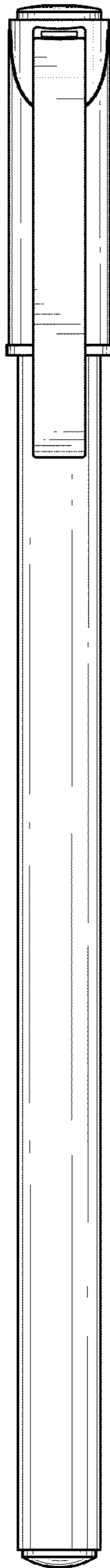


Fig. 3.

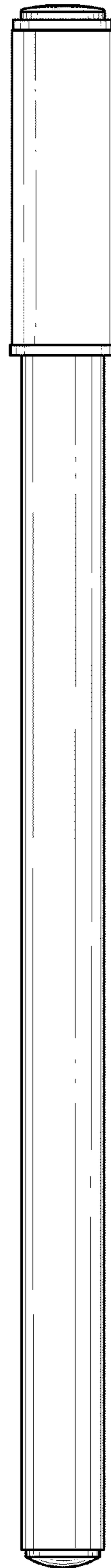


Fig. 4.

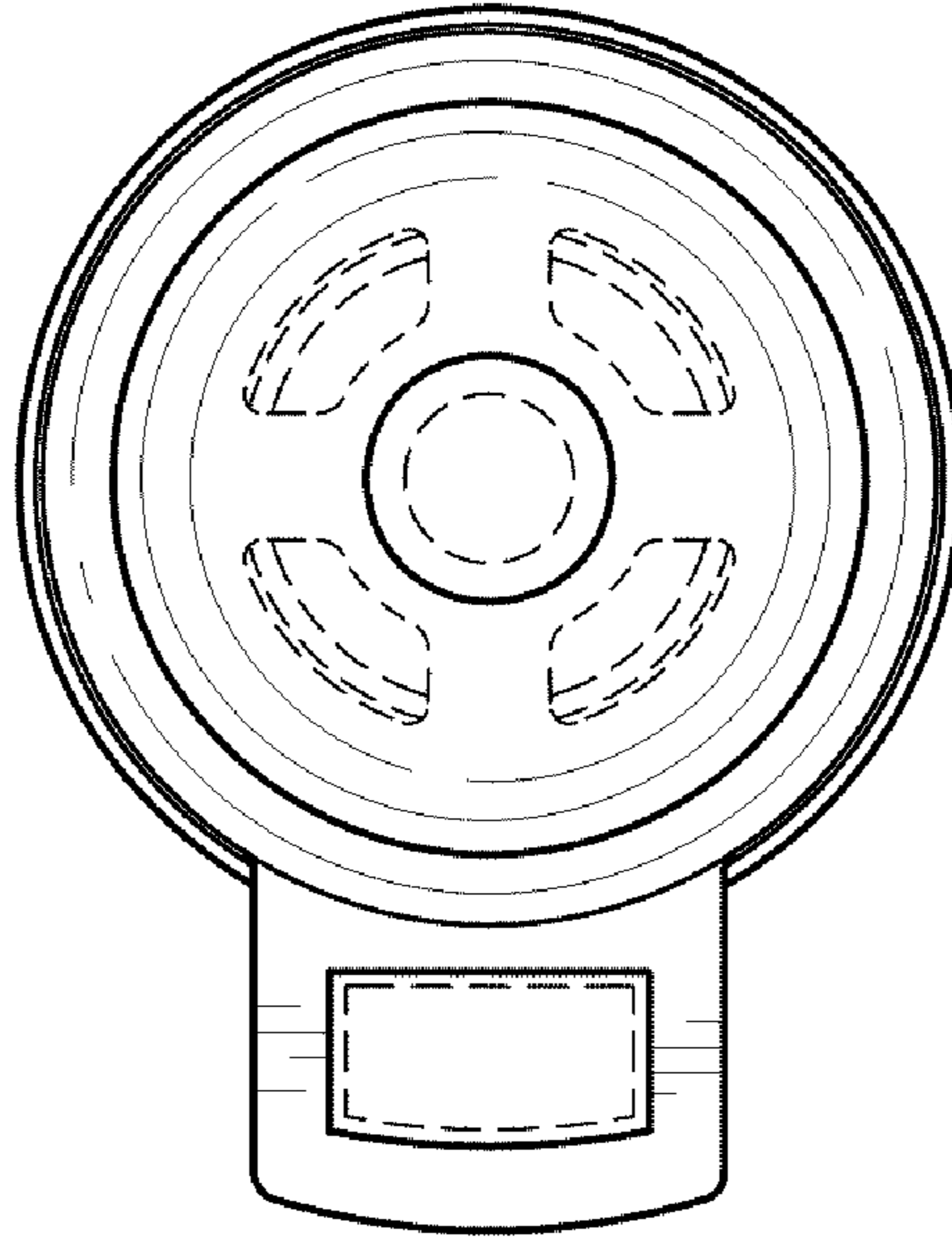


Fig. 5.

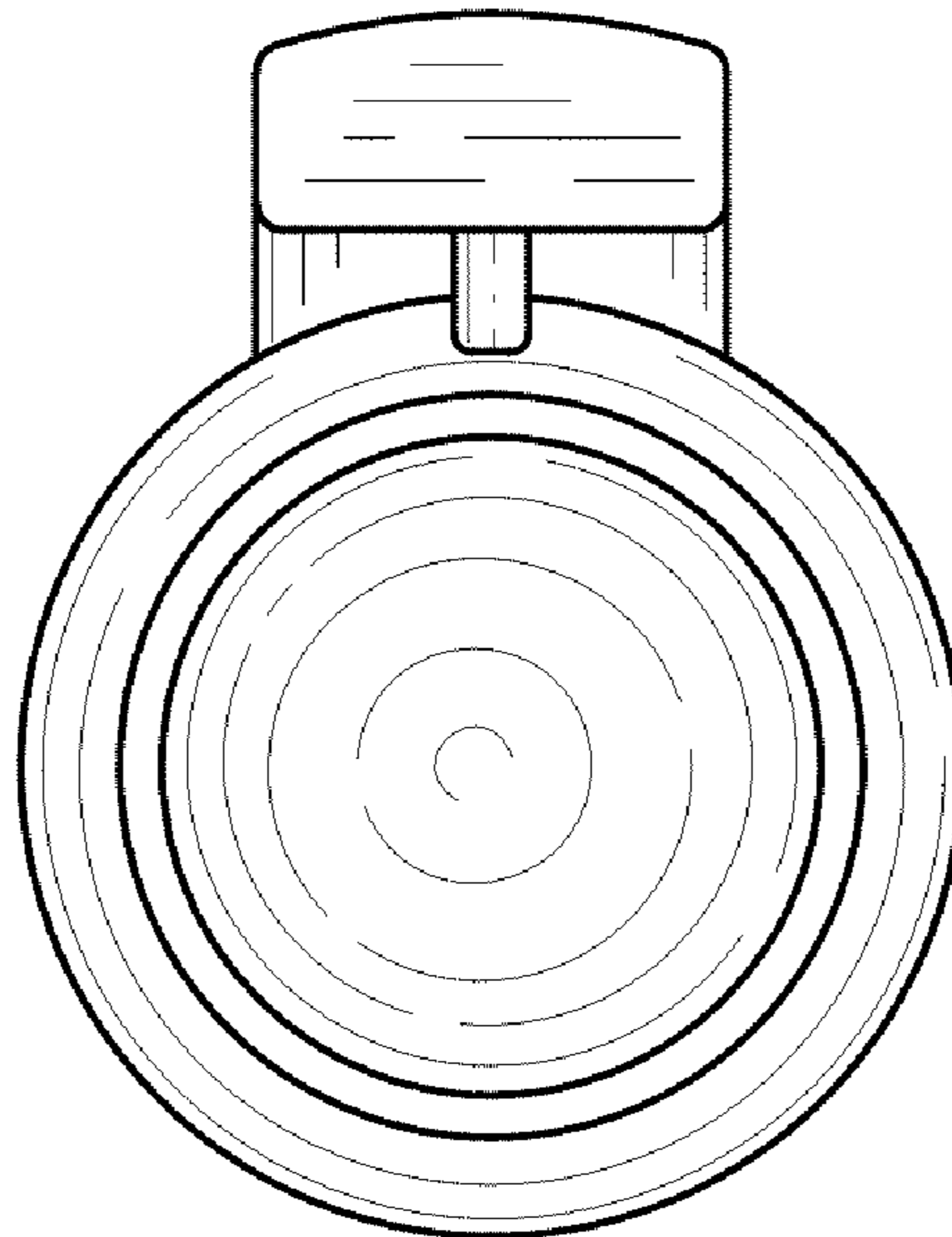


Fig. 6.

UNITED STATES PATENT AND TRADEMARK OFFICE
CERTIFICATE OF CORRECTION

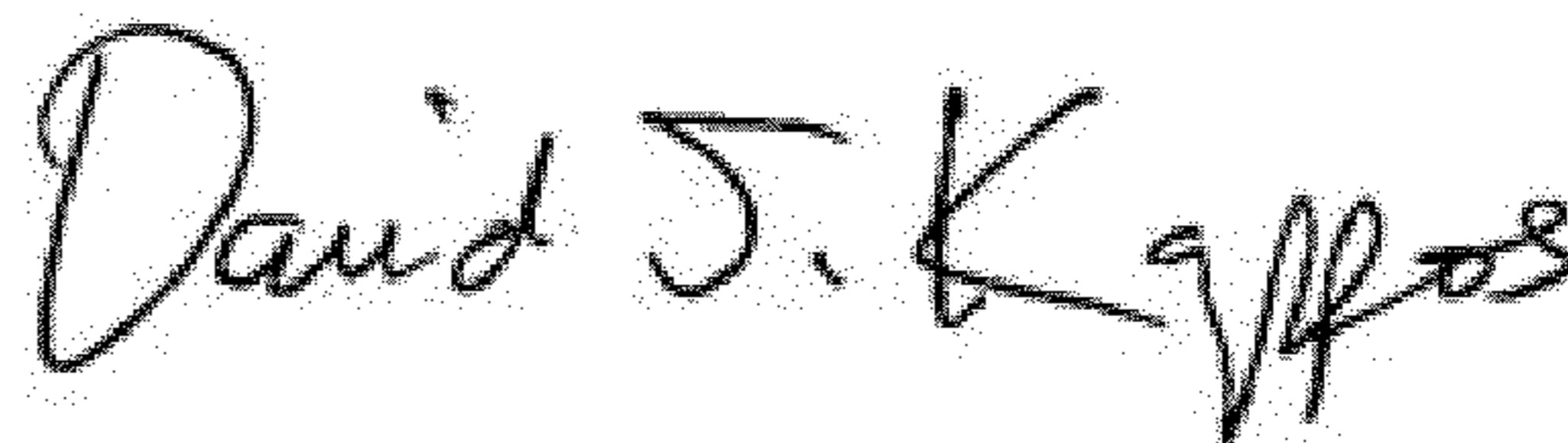
PATENT NO. : D648,385 S
APPLICATION NO. : 29/379463
DATED : November 8, 2011
INVENTOR(S) : Y. Guo

Page 1 of 1

It is certified that error appears in the above-identified patent and that said Letters Patent is hereby corrected as shown below:

Title page, item (57) Pg. 1, col. 2	Description 4 of text	“being a minor image” should read --being a mirror image--
--	--------------------------	---

Signed and Sealed this
Eighth Day of May, 2012



David J. Kappos
Director of the United States Patent and Trademark Office