

US00D648384S

(12) **United States Design Patent**
Hung

(10) **Patent No.:** **US D648,384 S**

(45) **Date of Patent:** **** Nov. 8, 2011**

(54) **MARKER**

(75) **Inventor:** **Peter M. H. Hung**, Kowloon (HK)

(73) **Assignee:** **Fulon Development Limited**, Kowloon (HK)

(**) **Term:** **14 Years**

(21) **Appl. No.:** **29/367,451**

(22) **Filed:** **Aug. 9, 2010**

(51) **LOC (9) Cl.** **19-06**

(52) **U.S. Cl.** **D19/36**

(58) **Field of Classification Search** D14/411,
D14/431; D19/35, 36, 41, 42, 43, 44, 45,
D19/46, 47, 48, 49, 50, 51, 54, 55, 56, 57;
D21/469; D24/114; 24/11 F, 11 P, 11 R;
401/34, 52, 99, 100, 104, 105, 106, 107,
401/108, 109, 192, 195, 196

See application file for complete search history.

(56) **References Cited**

U.S. PATENT DOCUMENTS

986,987	A	*	3/1911	Ito	30/459
D190,307	S	*	5/1961	Bieger	D19/51
D190,349	S	*	5/1961	Doman	D19/57
D213,739	S	*	4/1969	Konwiser	D19/51

D240,606	S	*	7/1976	Koenig	D14/431
D313,245	S	*	12/1990	Iwase	D19/43
D331,940	S	*	12/1992	Shirai et al.	D19/51
D337,786	S	*	7/1993	Melnick	D19/48
D450,873	S	*	11/2001	Opolka	D26/49
D485,298	S	*	1/2004	Hung	D19/43
D567,853	S	*	4/2008	Qiu et al.	D19/48
D568,933	S	*	5/2008	Qiu et al.	D19/43
D596,230	S	*	7/2009	Tan	D19/43
D605,694	S	*	12/2009	Zhang	D19/36
D622,770	S	*	8/2010	Shi	D19/51

* cited by examiner

Primary Examiner — Karen E Eldridge Powers

(74) *Attorney, Agent, or Firm* — Rabin & Berdo, P.C.

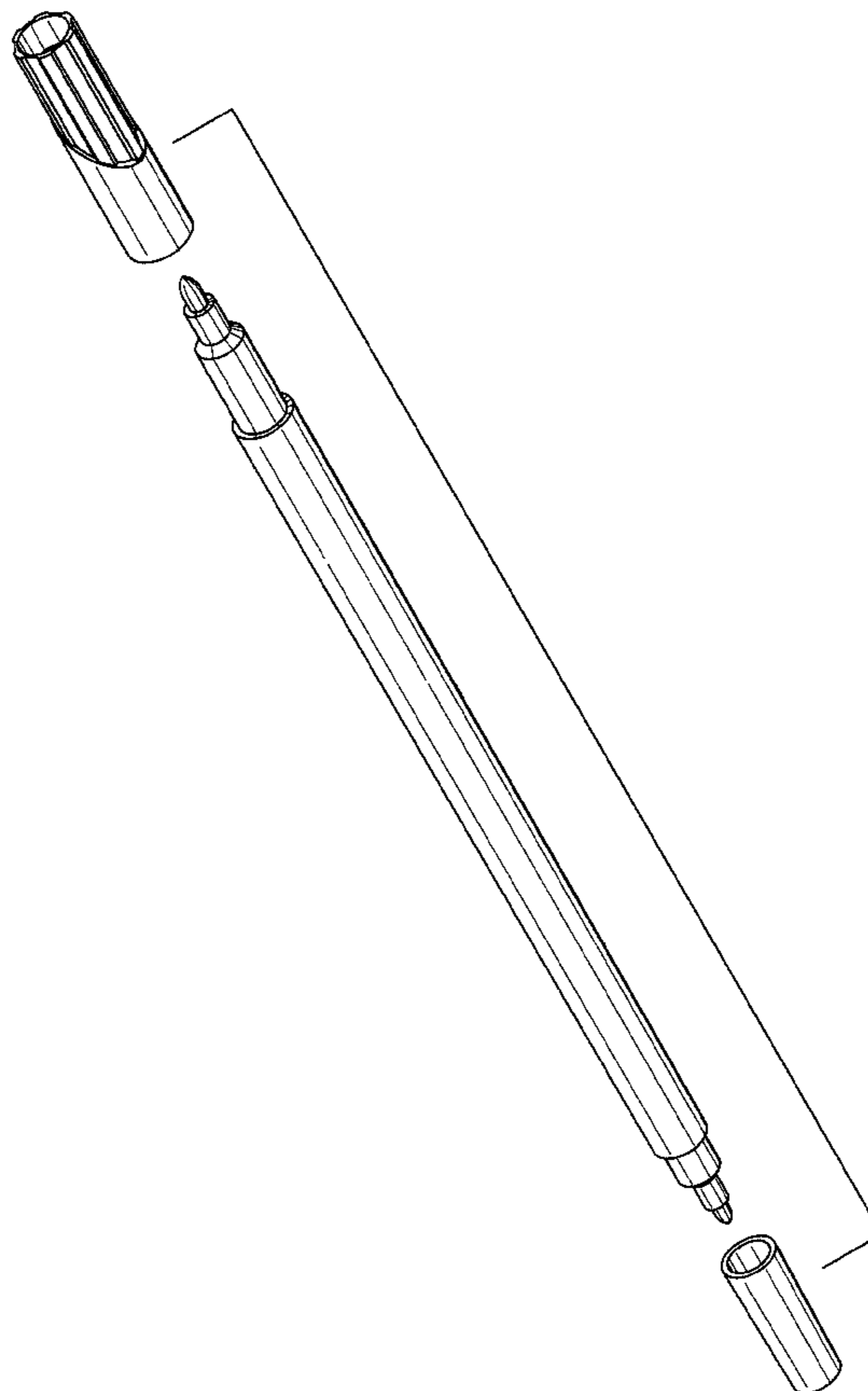
(57) **CLAIM**

The ornamental design for a marker, as shown and described.

DESCRIPTION

FIG. 1 is a perspective view of a marker showing my new design;
FIG. 2 is a front view thereof;
FIG. 3 is a left side view thereof;
FIG. 4 is a right side view thereof;
FIG. 5 is a rear view thereof;
FIG. 6 is a top view thereof;
FIG. 7 is a bottom view thereof; and,
FIG. 8 is a perspective view with caps separated thereof.

1 Claim, 4 Drawing Sheets



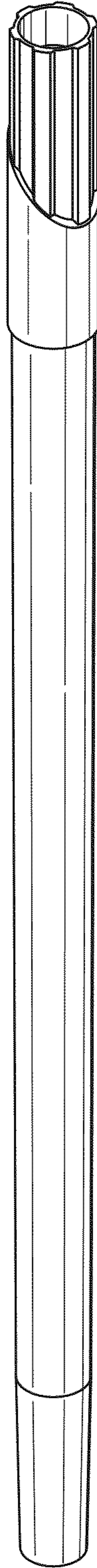


FIG. 1

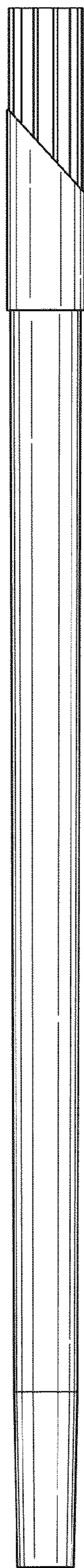


FIG. 3

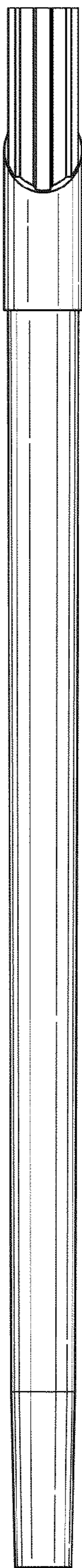


FIG. 2

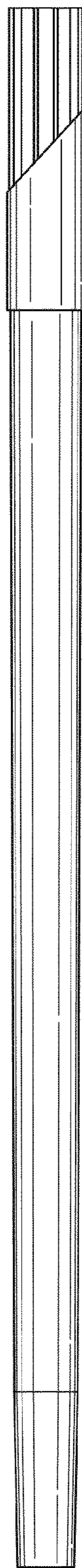


FIG. 4

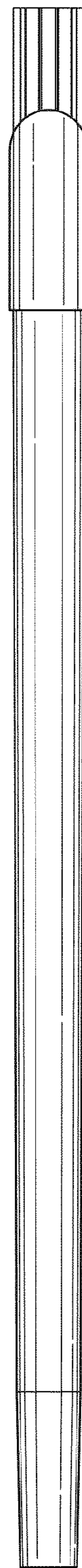


FIG. 5

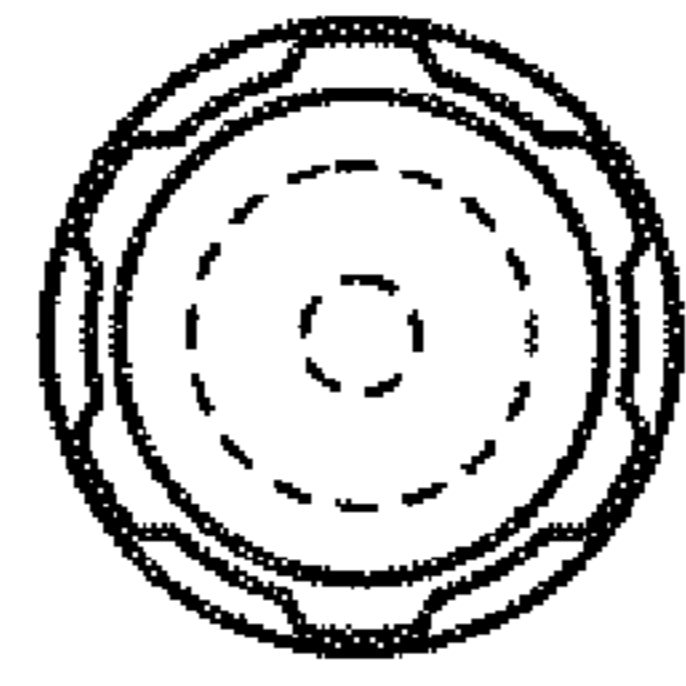


FIG. 6

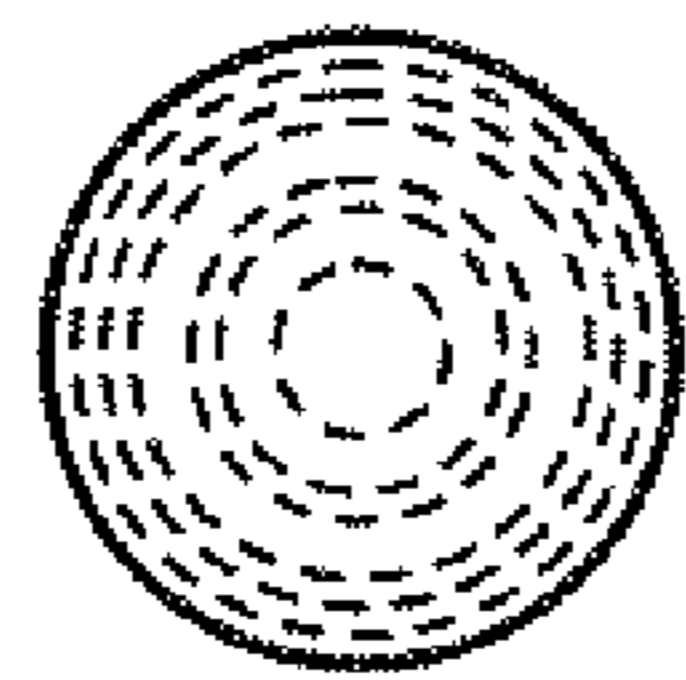


FIG. 7

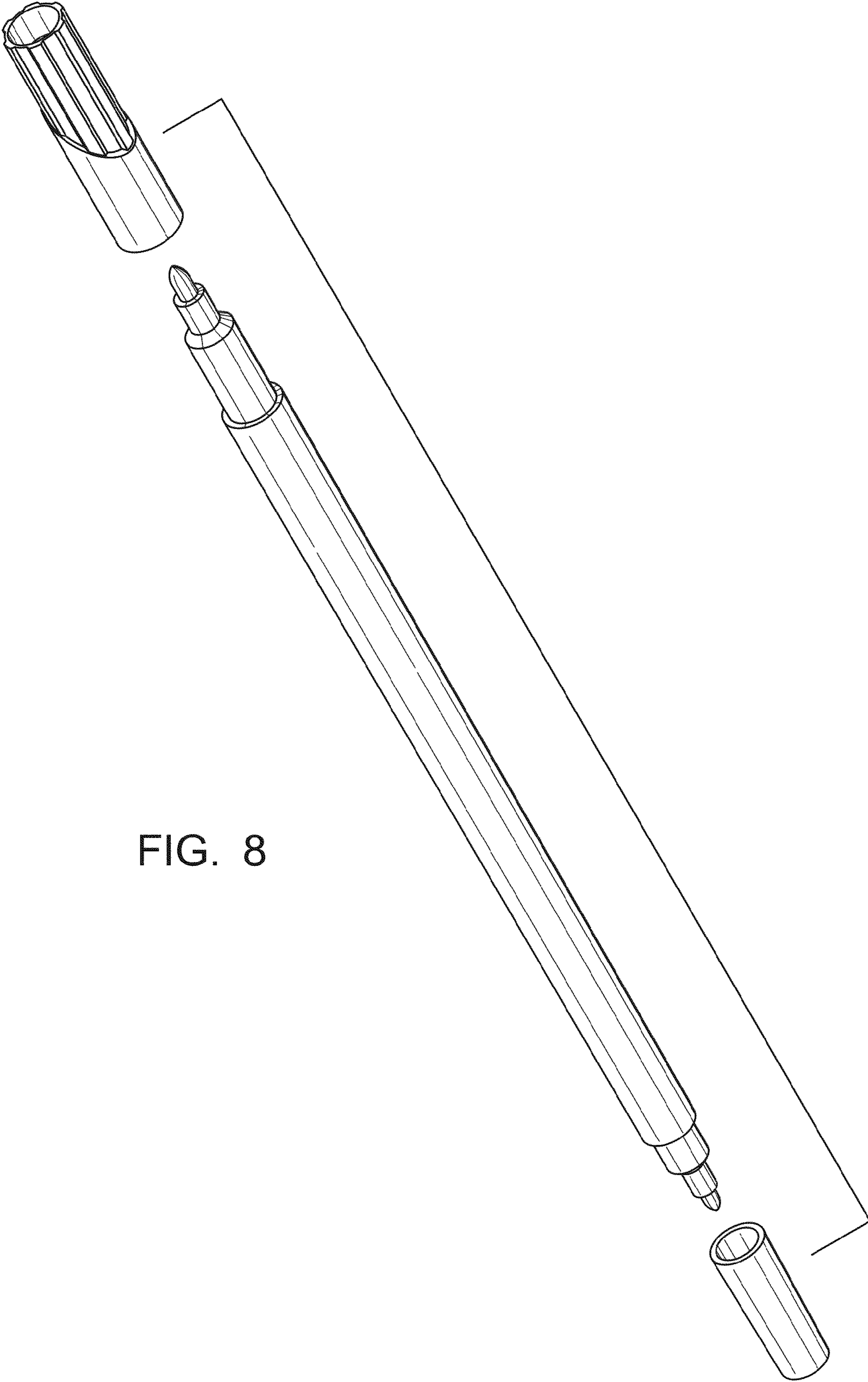


FIG. 8