



US00D648383S

(12) **United States Design Patent**
Armstead

(10) **Patent No.:** **US D648,383 S**

(45) **Date of Patent:** **** Nov. 8, 2011**

(54) **COMBINATION FLEXIBLE PEN, MAGNET AND ILLUMINATED MAGNIFYING GLASS**

(75) **Inventor:** **Tyrone Armstead, Buchanan, MI (US)**

(73) **Assignee:** **Tyrone Armstead**

(**) **Term:** **14 Years**

(21) **Appl. No.:** **29/358,113**

(22) **Filed:** **Mar. 23, 2010**

(51) **LOC (9) Cl.** **19-06**

(52) **U.S. Cl.** **D19/36**

(58) **Field of Classification Search** D14/411,
D14/431; D16/135; D19/35, 36, 41, 42,
D19/43, 44, 45, 46, 47, 48, 49, 50, 51, 54,
D19/55, 56, 57; D28/76, 82, 90; 24/11 F,
24/11 P, 11 R; 359/809; 401/34, 52, 99,
401/100, 104, 105, 106, 107, 108, 109, 192,
401/195, 196

See application file for complete search history.

(56) **References Cited**

U.S. PATENT DOCUMENTS

883,648	A *	3/1908	Landers	7/167
1,687,647	A *	10/1928	Garvey	401/206
1,950,960	A *	3/1934	Wisser	33/27.02
2,035,278	A *	3/1936	Sager	401/153
2,172,597	A *	9/1939	Simpson	359/809
2,272,674	A *	2/1942	Kehr	24/3.11
2,693,172	A *	11/1954	Miessner	401/145
3,320,962	A *	5/1967	Moriber et al.	401/31
4,398,800	A *	8/1983	Hayes	359/818
4,573,818	A *	3/1986	Kodera	401/131
4,580,919	A *	4/1986	Ambasz	401/117
4,896,983	A *	1/1990	Im et al.	401/107
D319,468	S *	8/1991	Larizza	D19/42
5,074,695	A *	12/1991	DeRosa	401/195
D339,377	S *	9/1993	Irving	D19/36
D355,932	S *	2/1995	Beffa	D19/36
D368,079	S *	3/1996	Ive et al.	D14/411
5,527,124	A *	6/1996	Kolaric	401/6

5,651,626	A *	7/1997	Chen	401/104
D444,171	S *	6/2001	McCullough	D19/42
6,332,247	B1 *	12/2001	Hsieh	24/11 R
6,491,467	B1 *	12/2002	Mitsuya	401/195
D482,726	S *	11/2003	Hung	D19/43
D482,727	S *	11/2003	Hung	D19/43
D488,833	S *	4/2004	Rommel	D19/55
D497,180	S *	10/2004	Cetera	D19/36
6,848,851	B2 *	2/2005	Yokouchi	401/6
6,994,446	B2 *	2/2006	Huang	362/118
D526,020	S *	8/2006	Cetera	D19/47
7,108,439	B2 *	9/2006	Zhu	401/6
D533,903	S *	12/2006	Cetera	D19/56
D535,697	S *	1/2007	Cetera	D19/51
7,195,415	B1 *	3/2007	Vial	401/216
D576,210	S *	9/2008	Qiu et al.	D19/44
D587,312	S *	2/2009	Cetera	D19/56
D595,772	S *	7/2009	Zhang	D19/49
D598,497	S *	8/2009	Koch	D19/46
7,661,896	B2 *	2/2010	Zawitz	401/6
D628,628	S *	12/2010	Hung	D19/36
2007/0041177	A1 *	2/2007	Lin	362/118
2009/0136283	A1 *	5/2009	Diamond	401/99

* cited by examiner

Primary Examiner — Karen E Eldridge Powers

(57) **CLAIM**

The ornamental design for a combination flexible pen, magnet and illuminated magnifying glass, as shown and described.

DESCRIPTION

FIG. 1 is a front perspective view of a combination flexible pen, magnet and illuminated magnifying glass showing my new design;

FIG. 2 is a rear perspective view thereof;

FIG. 3 is a front elevation view thereof;

FIG. 4 is a right side elevation view thereof;

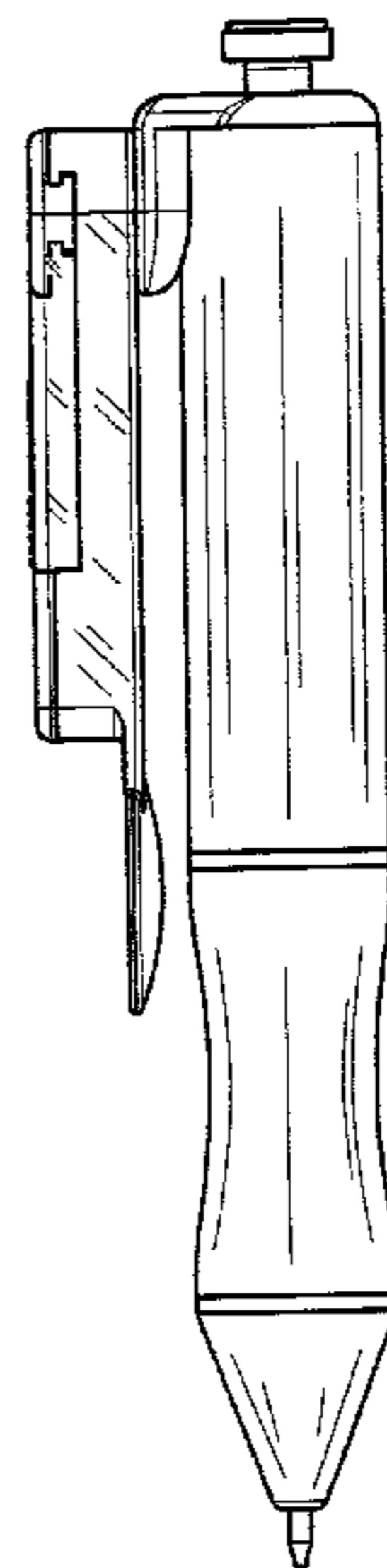
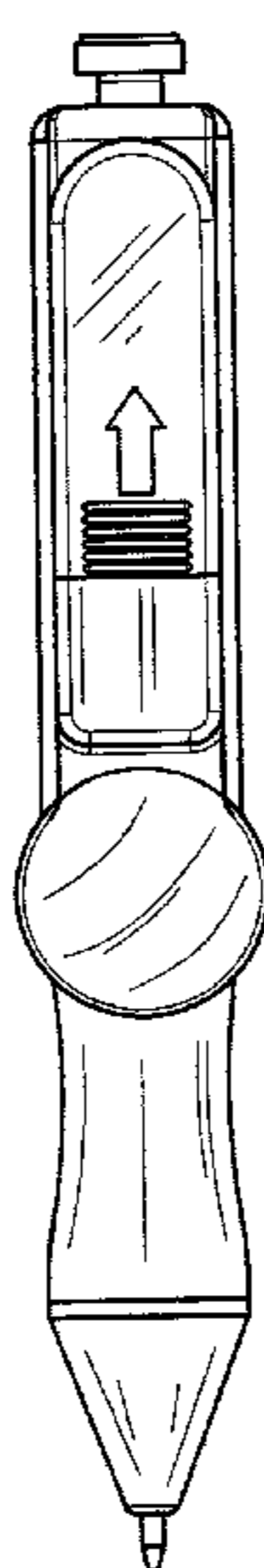
FIG. 5 is a rear elevation view thereof;

FIG. 6 is a left side elevation view thereof;

FIG. 7 is a top plan view thereof; and,

FIG. 8 is a bottom plan view thereof.

1 Claim, 4 Drawing Sheets



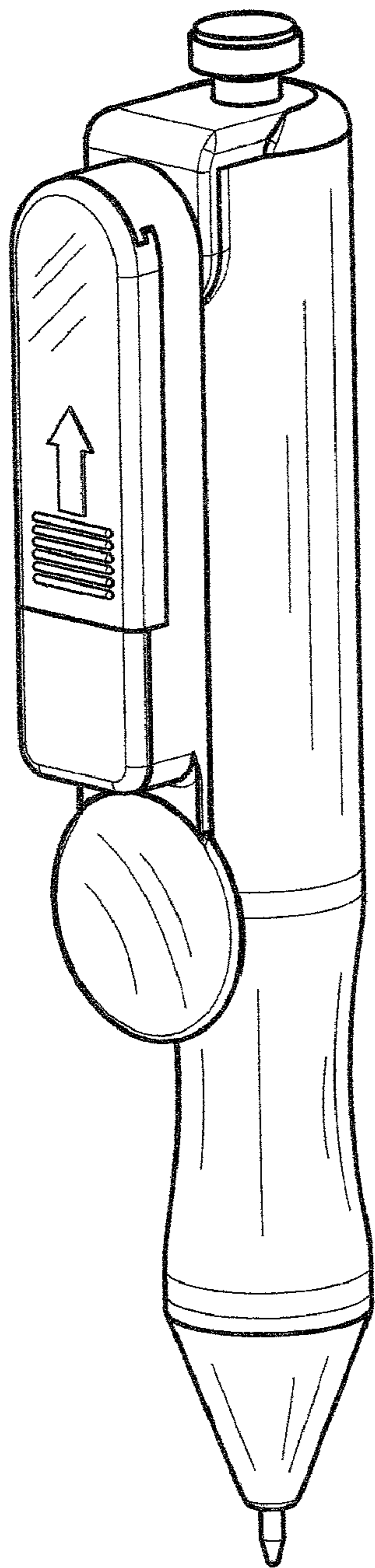


Figure 1

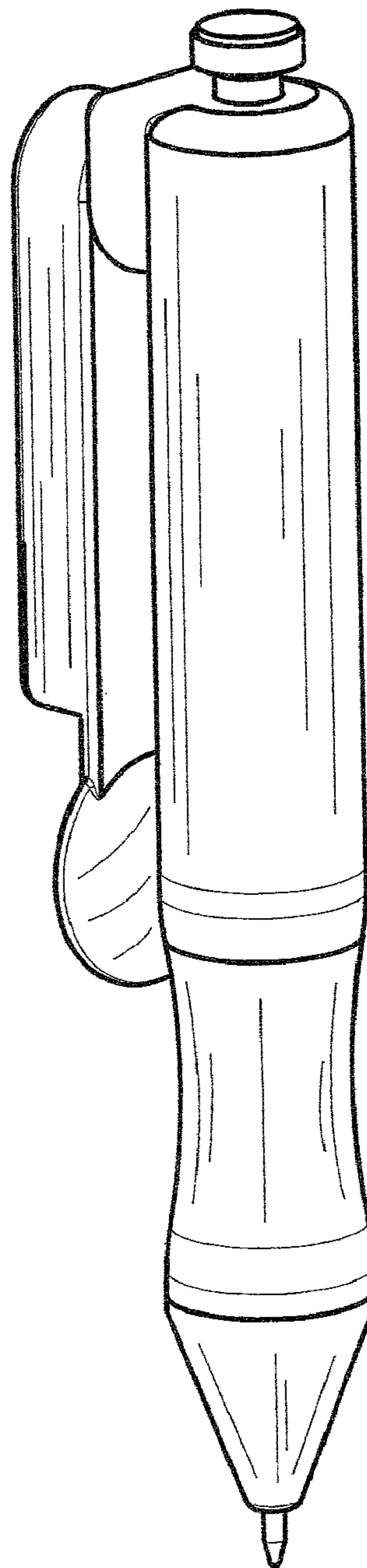


Figure 2

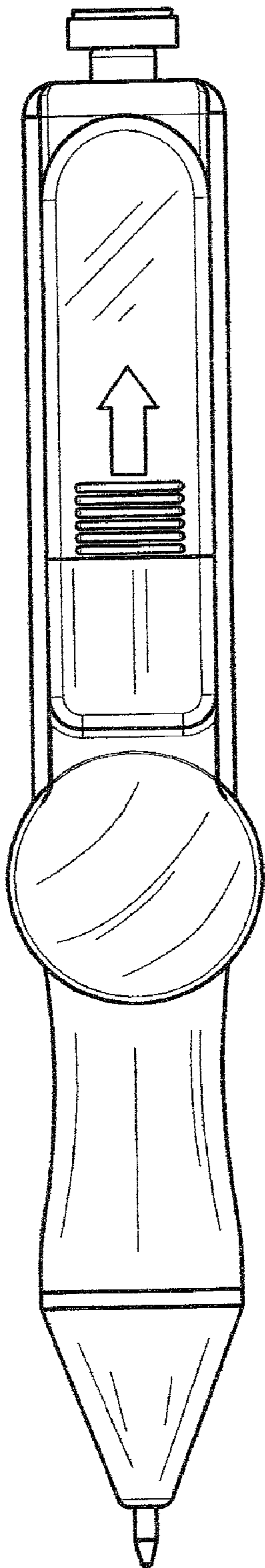


Figure 3

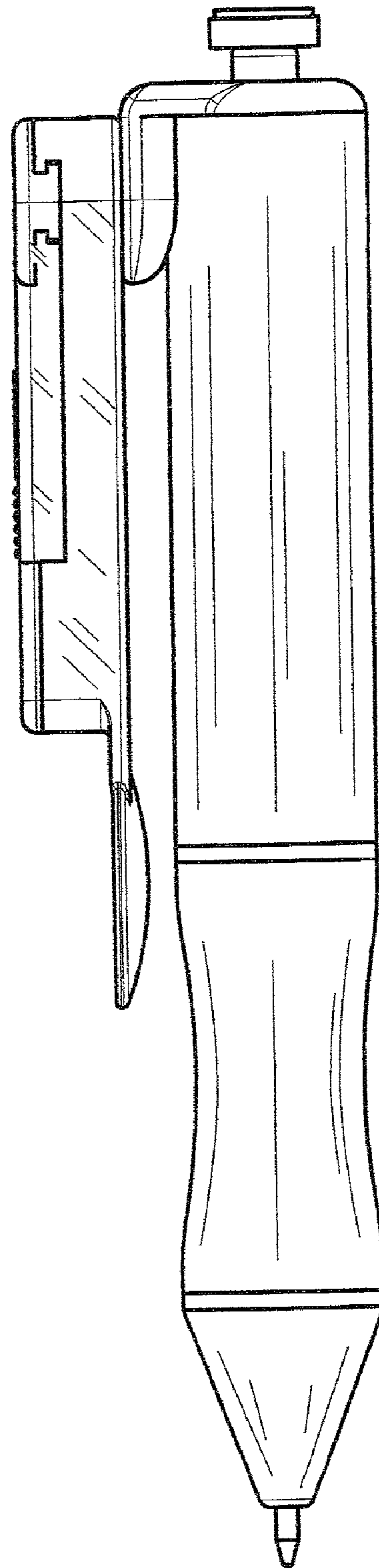


Figure 4

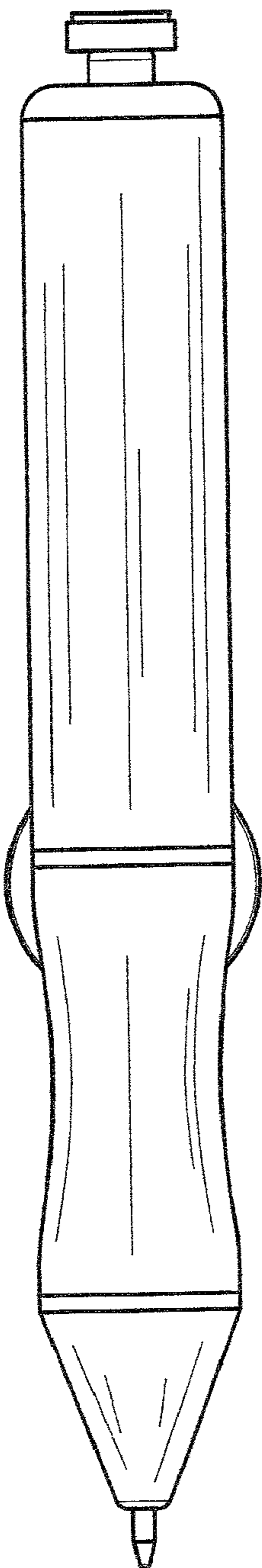


Figure 5

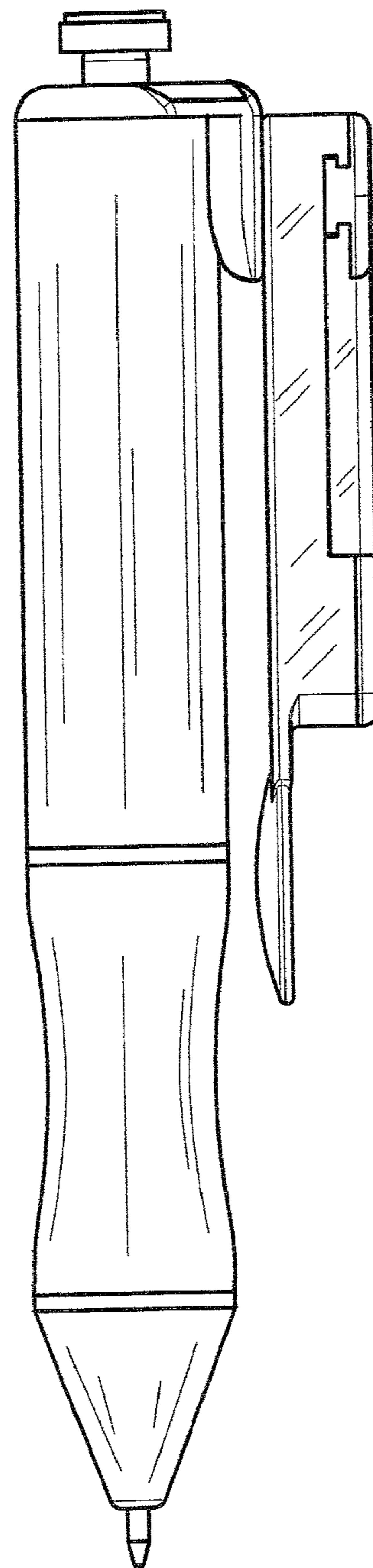


Figure 6

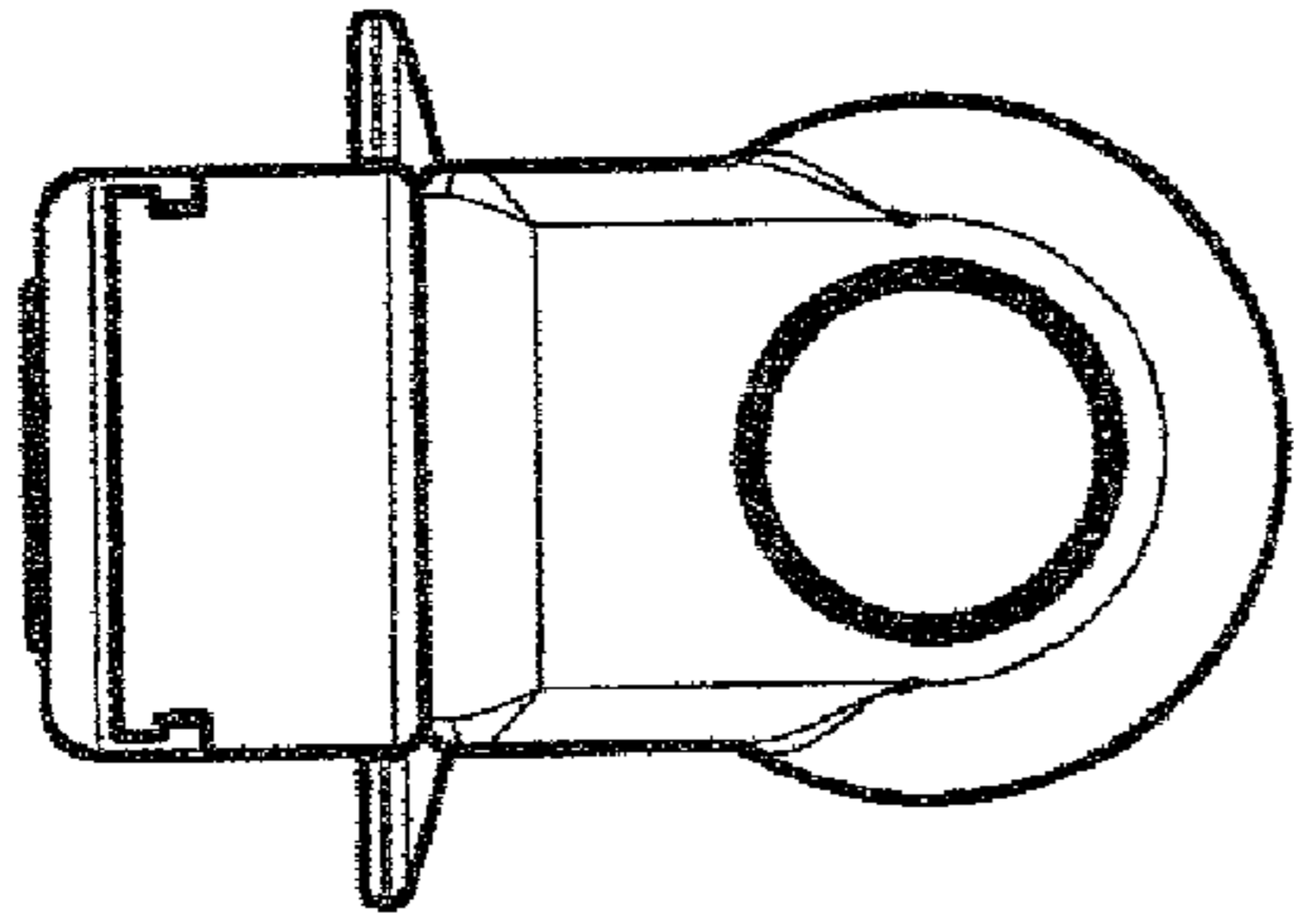


Figure 7

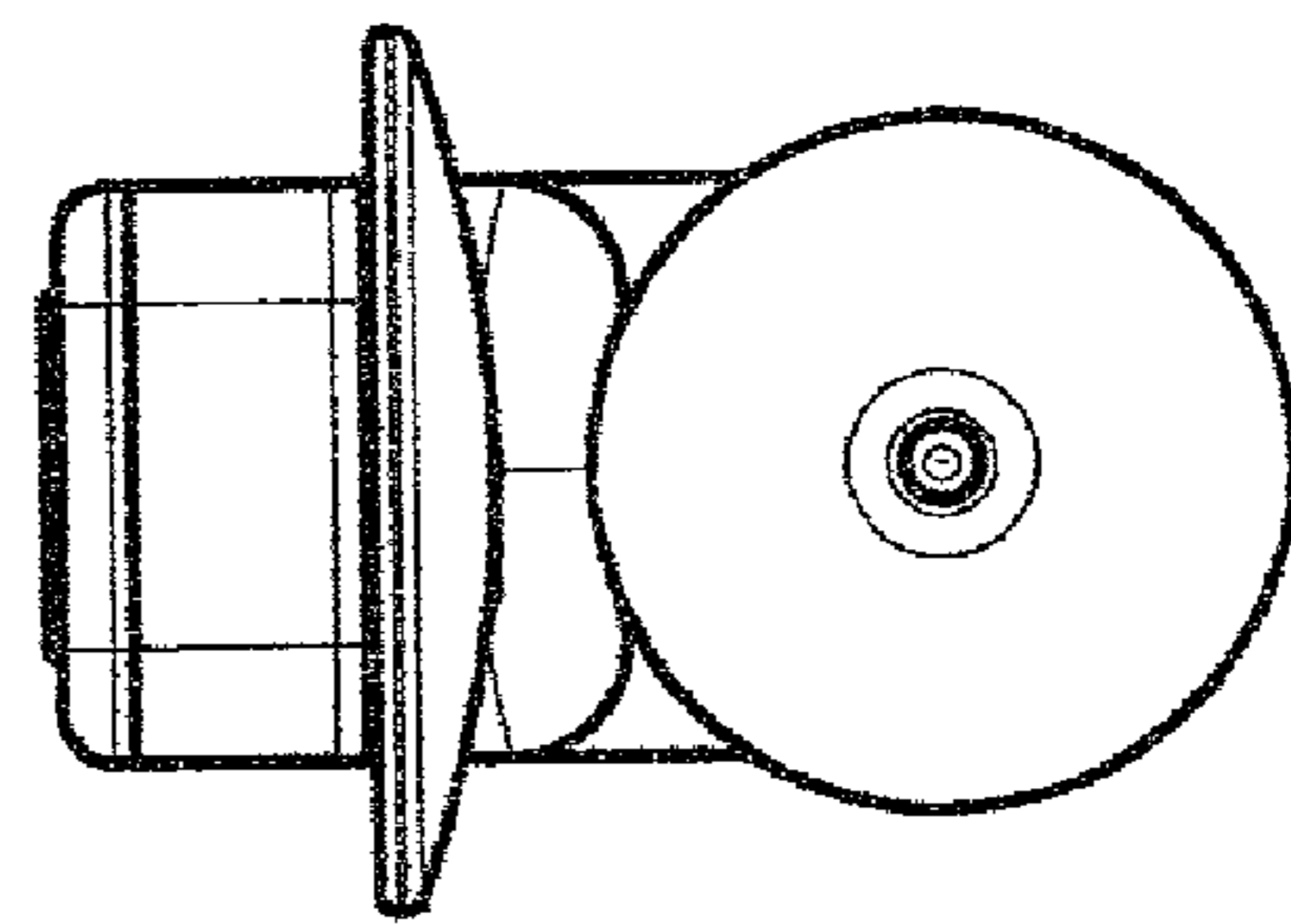


Figure 8