



US00D648382S

(12) **United States Design Patent**
Zeng et al.

(10) **Patent No.:** **US D648,382 S**

(45) **Date of Patent:** **** Nov. 8, 2011**

(54) **PRINTER**

(75) Inventors: **Yangyun Zeng**, Zhuhai (CN); **Aiguo Yin**, Zhuhai (CN)

(73) Assignee: **Zhuhai Seine Technology Limited**, Zhuhai, Guangdong (CN)

(**) Term: **14 Years**

(21) Appl. No.: **29/359,678**

(22) Filed: **Apr. 14, 2010**

(30) **Foreign Application Priority Data**

Oct. 15, 2009 (CN) 2009 3 0169921

(51) **LOC (9) Cl.** **14-02**

(52) **U.S. Cl.** **D18/55**

(58) **Field of Classification Search** D18/19,
D18/36-37, 50, 54-54.1, 55; D14/420-425,
D14/463-470; 400/613, 613.1-613.4, 690,
400/690.1-690.4, 691-694

See application file for complete search history.

(56) **References Cited**

U.S. PATENT DOCUMENTS

D319,655 S * 9/1991 Tokuda et al. D18/54
D321,001 S * 10/1991 Umino et al. D18/55

D351,189 S * 10/1994 Yamaguchi et al. D18/55
D477,632 S * 7/2003 Todd D18/55
D577,764 S * 9/2008 Yamano et al. D18/50
D601,185 S * 9/2009 Kim et al. D18/50
D607,050 S * 12/2009 Iritani D18/55
7,731,437 B2 * 6/2010 Shirotori et al. 400/613
D621,404 S * 8/2010 Sugitani et al. D14/421
D632,732 S * 2/2011 Park et al. D18/50
D633,558 S * 3/2011 Egami et al. D18/55
2006/0083571 A1 * 4/2006 Sawai 400/691

* cited by examiner

Primary Examiner — Cathy A MacCormac

(74) *Attorney, Agent, or Firm* — Jackson IPG PLLC;
Demian K. Jackson

(57) **CLAIM**

The ornamental design for a printer, as shown and described.

DESCRIPTION

FIG. 1 is an enlarged top, front and side perspective view of a printer showing our new design;

FIG. 2 is an enlarged front elevational view thereof;

FIG. 3 is an enlarged top plan view thereof;

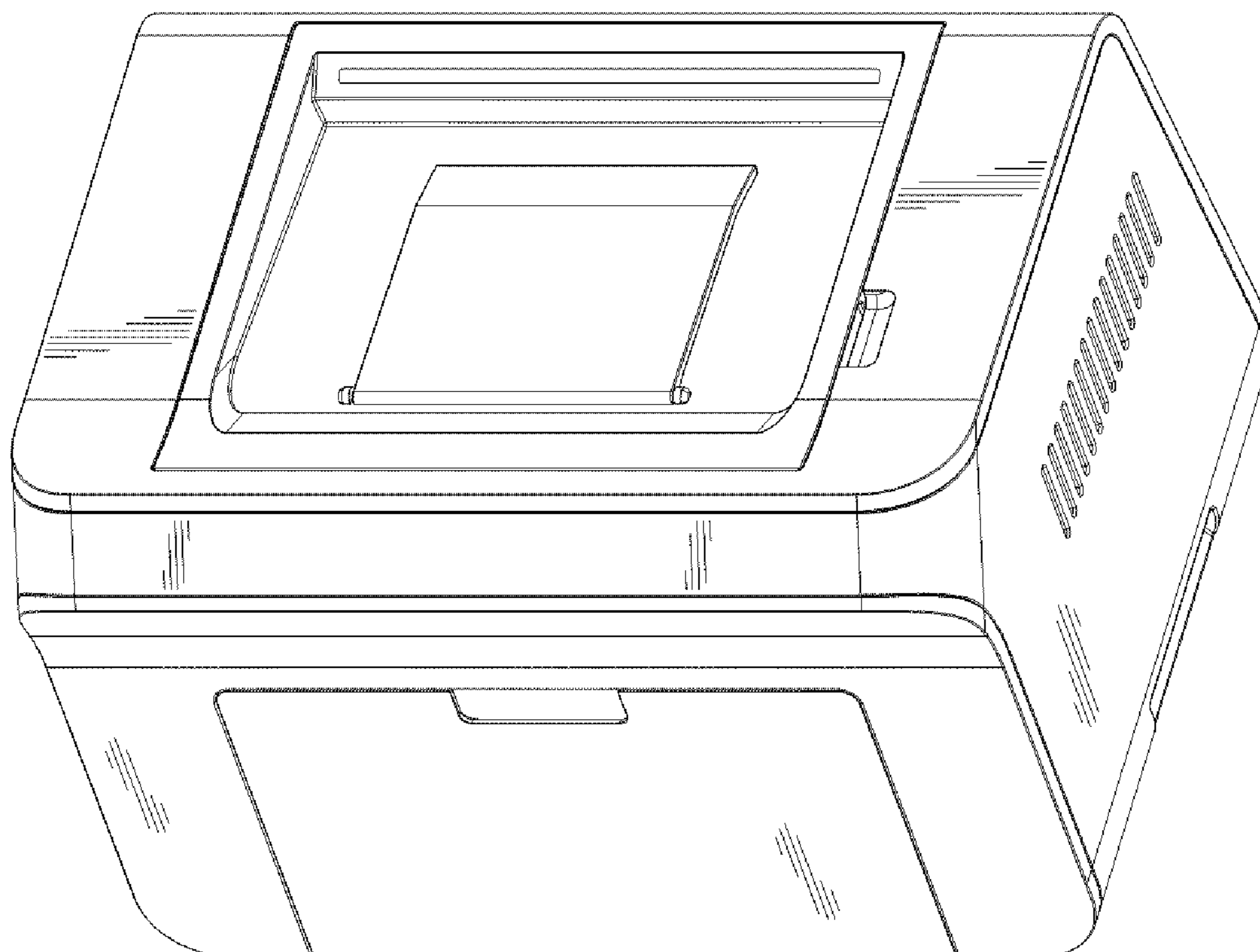
FIG. 4 is an enlarged bottom plan view thereof;

FIG. 5 is an enlarged rear elevational view thereof;

FIG. 6 is an enlarged left side elevational view thereof; and,

FIG. 7 is an enlarged right side elevational view thereof.

1 Claim, 4 Drawing Sheets



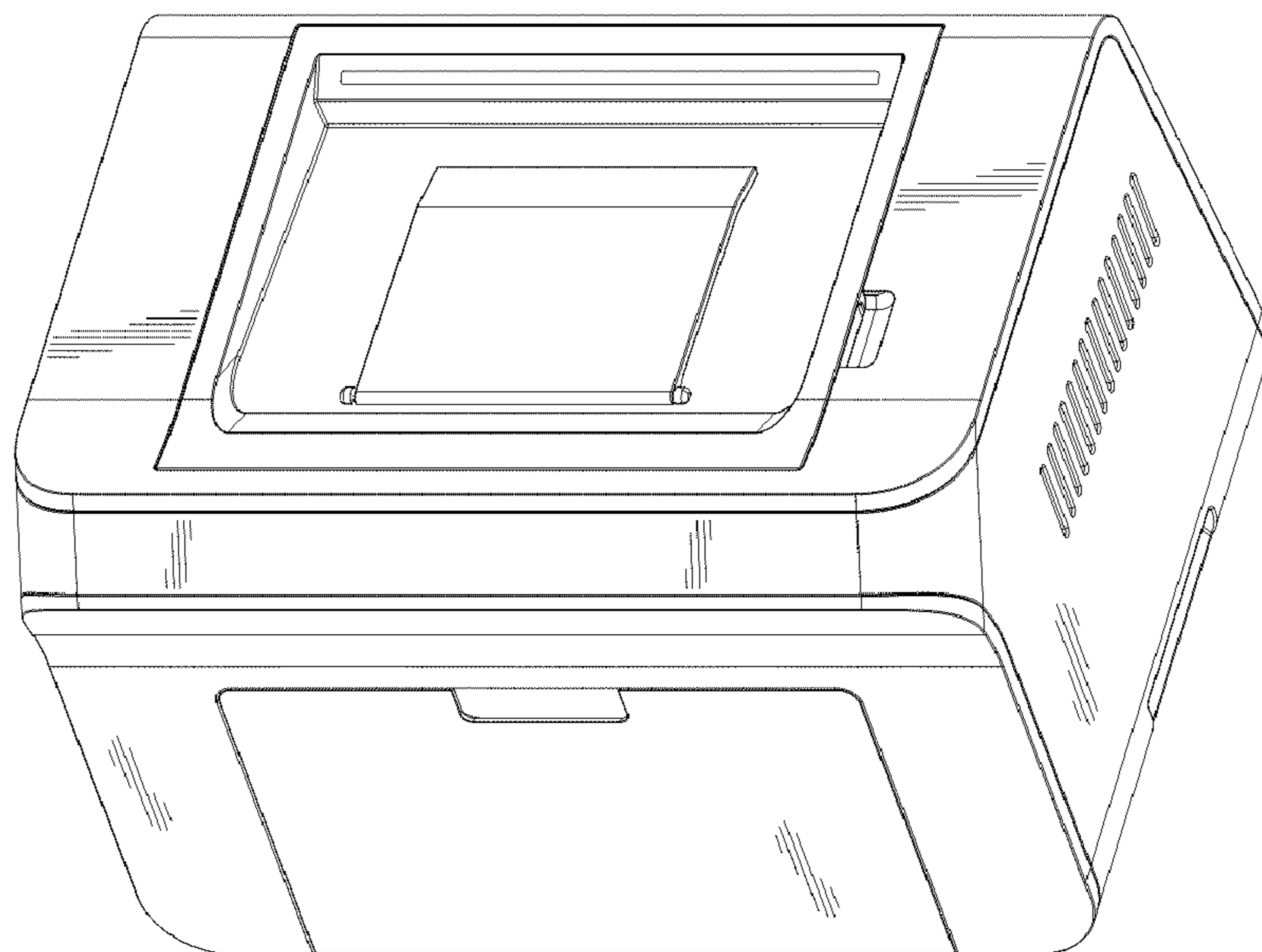


FIG. 1

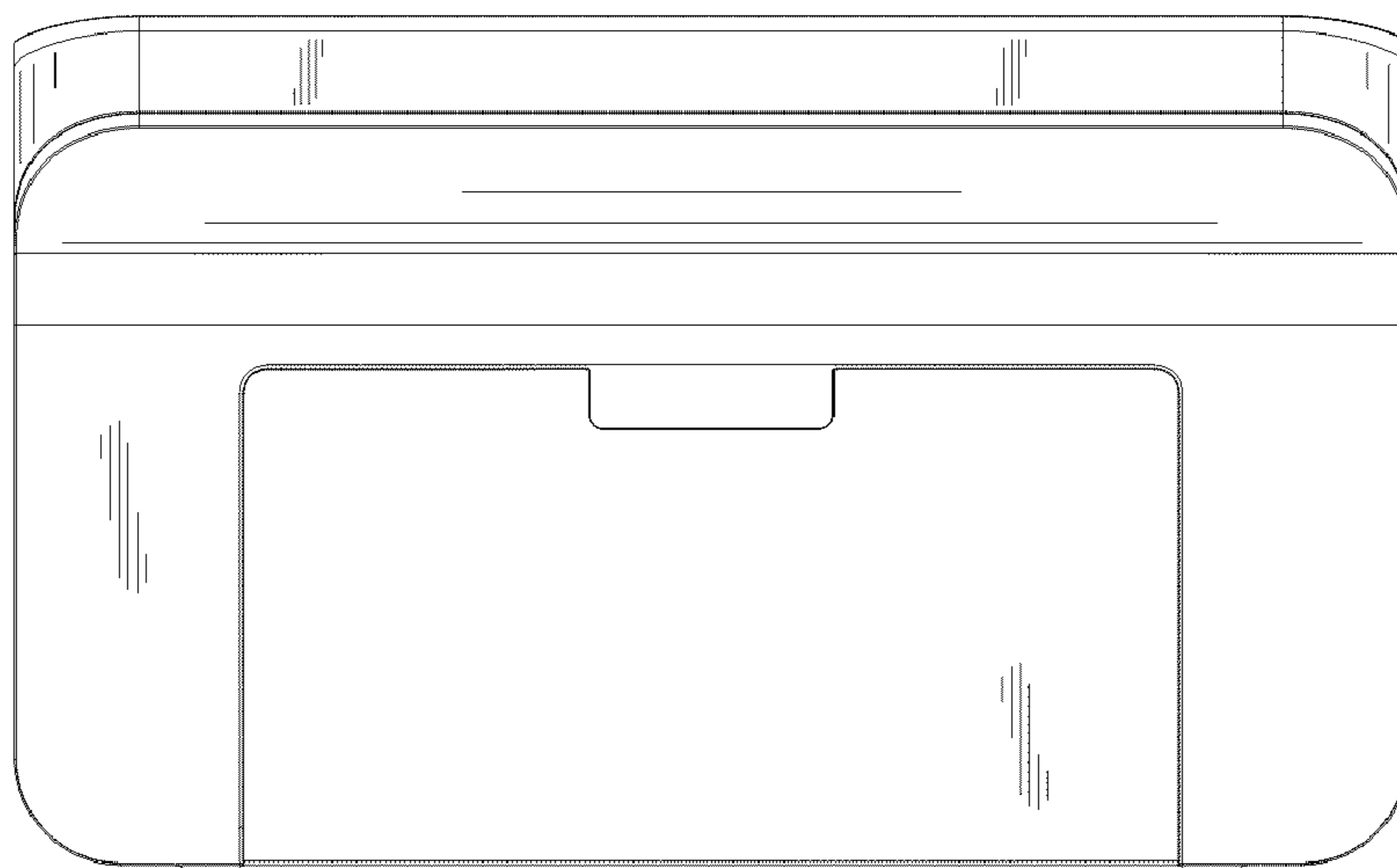


FIG. 2

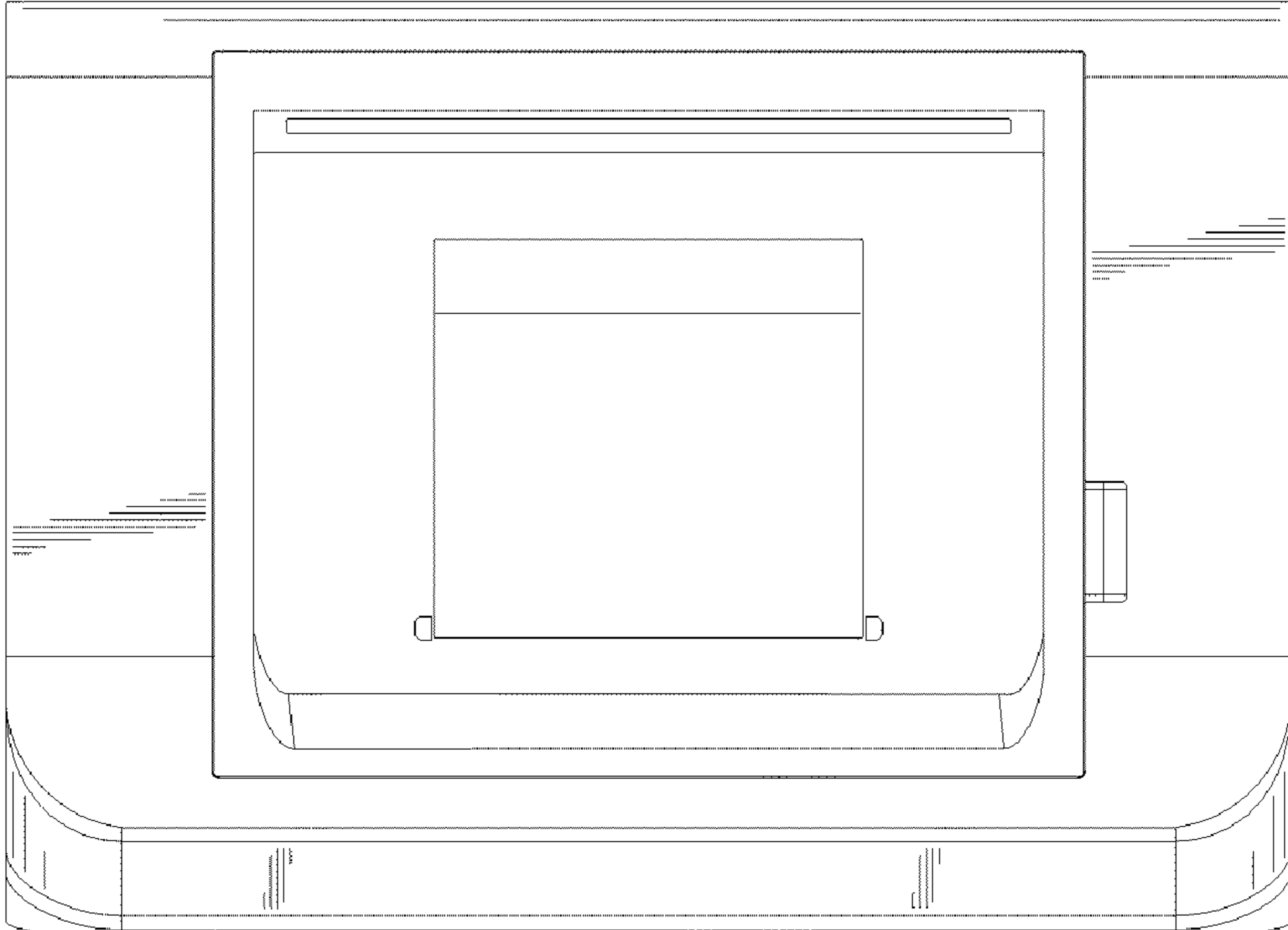


FIG. 3

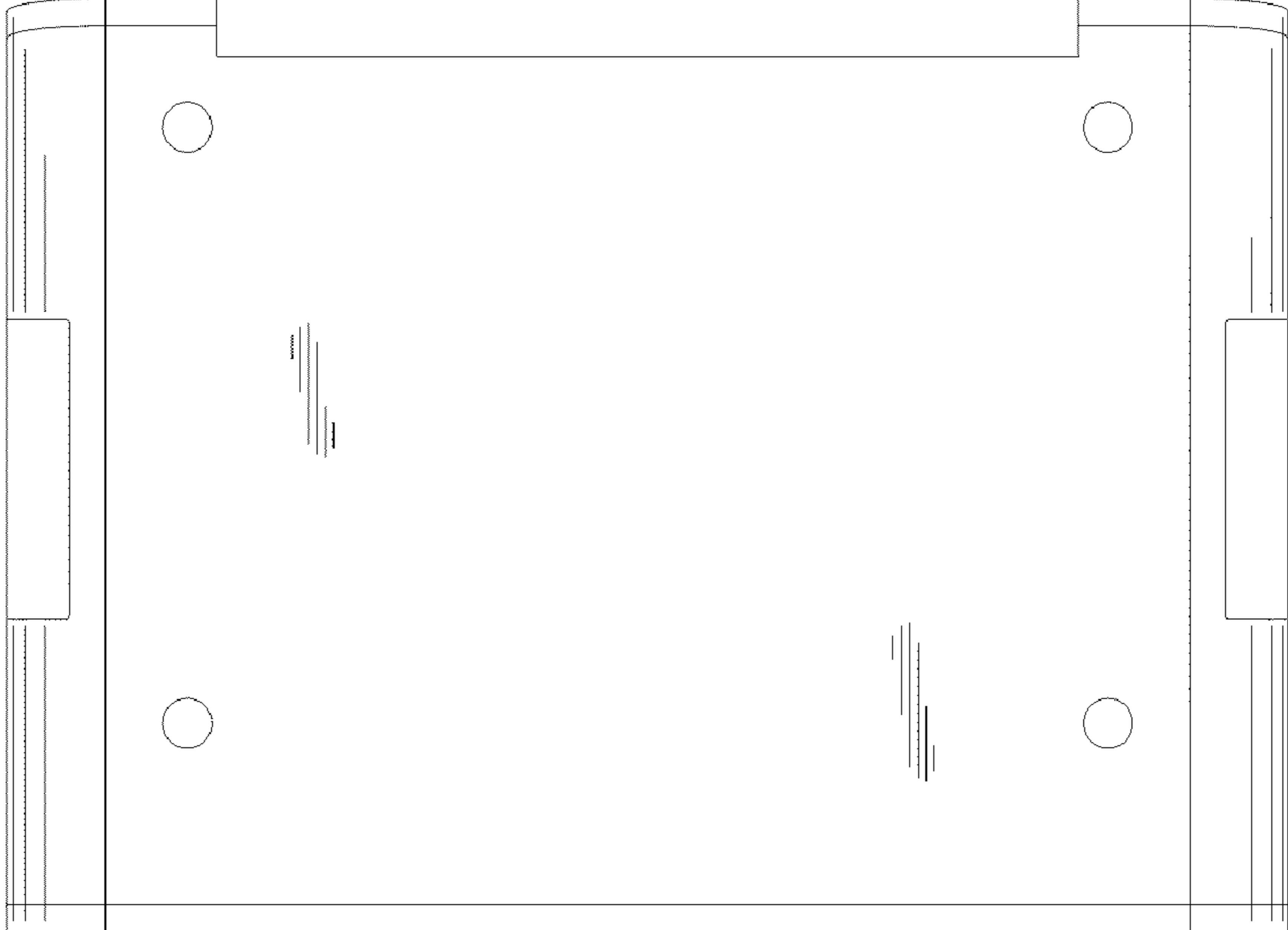


FIG. 4



FIG. 5

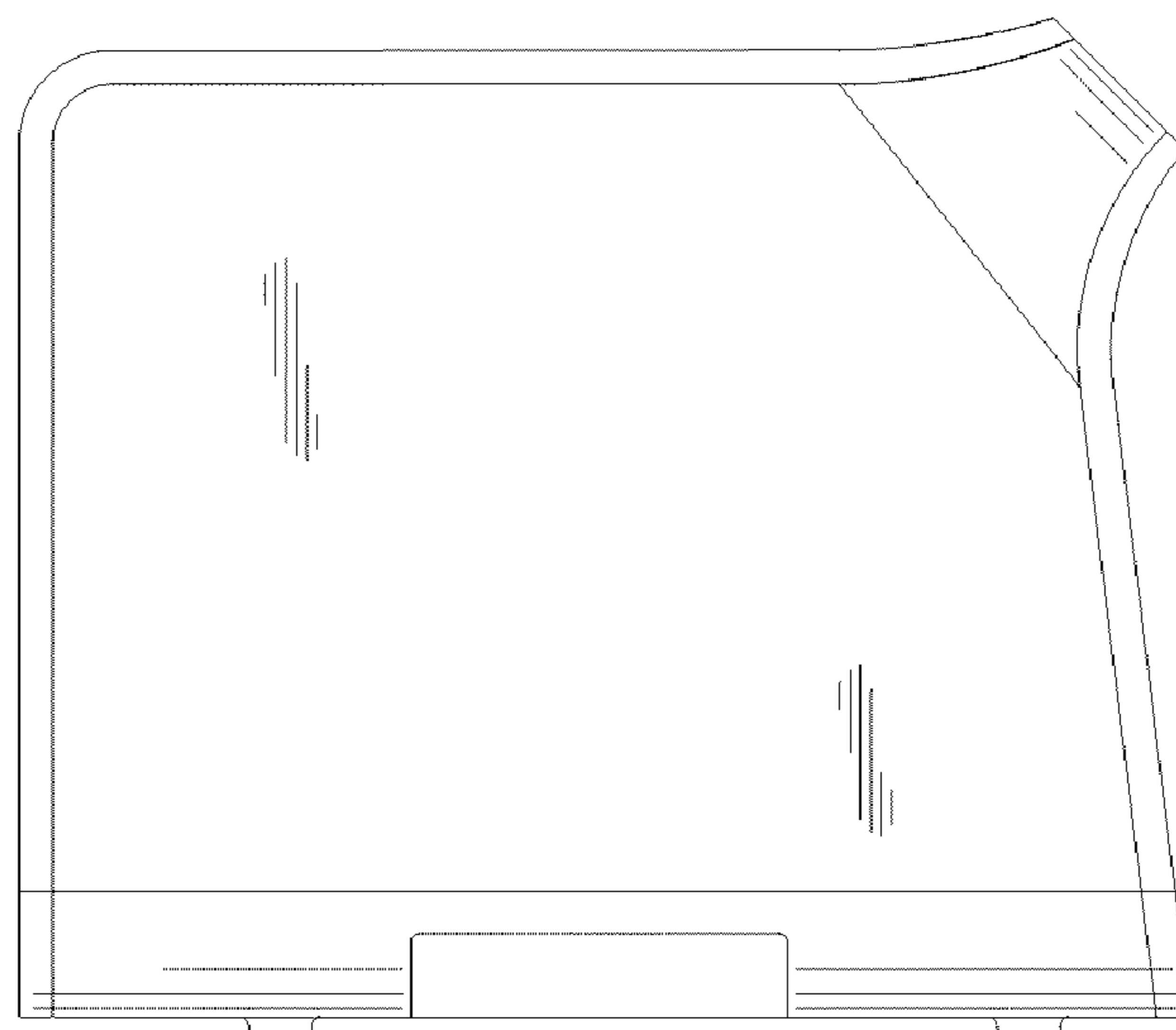


FIG. 6

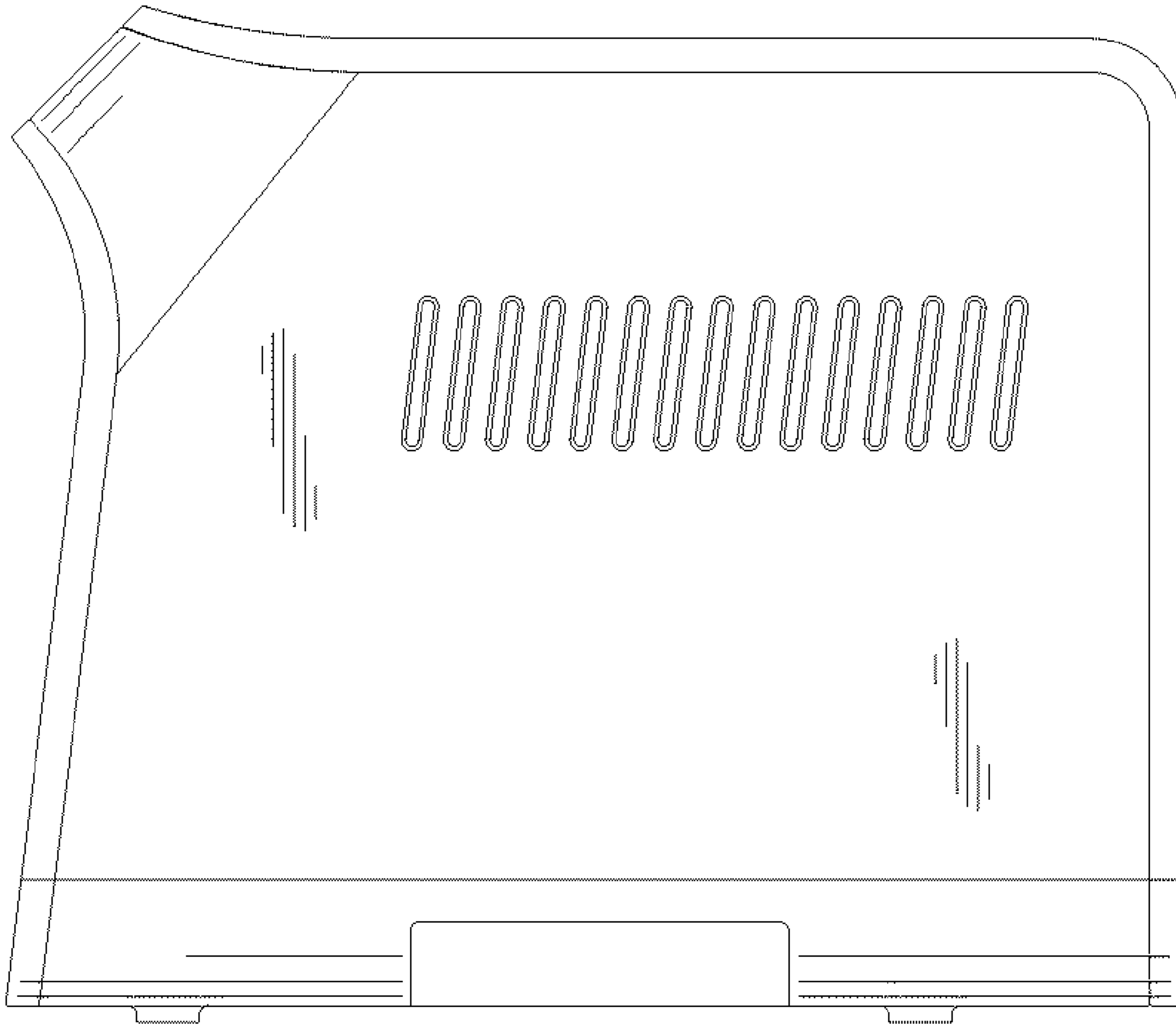


FIG. 7