



US00D648379S

(12) **United States Design Patent**
Ishikawa et al.

(10) **Patent No.:** **US D648,379 S**

(45) **Date of Patent:** **** Nov. 8, 2011**

(54) **PRINTER**

(75) Inventors: **Takaaki Ishikawa**, Matsumoto (JP);
Kenji Yanagisawa, Torrance, CA (US);
Yukiko Koshi, Shiojiri (JP)

(73) Assignee: **Seiko Epson Corporation**, Tokyo (JP)

(**) Term: **14 Years**

(21) Appl. No.: **29/377,106**

(22) Filed: **Oct. 18, 2010**

(30) **Foreign Application Priority Data**

Jun. 30, 2010 (JP) 2010-015996

(51) **LOC (9) Cl.** **14-02**

(52) **U.S. Cl.** **D18/50**

(58) **Field of Classification Search** D14/420-425,
D14/463-470; D18/14, 19, 36-37, 50, 54,
D18/54.1, 55; 400/613, 613.1-613.4, 690,
400/690.1-690.4, 691-694

See application file for complete search history.

(56) **References Cited**

U.S. PATENT DOCUMENTS

D384,945 S * 10/1997 Takada et al. D14/420
D501,503 S * 2/2005 Leong et al. D18/55

D536,373 S * 2/2007 Inoue et al. D18/55
D553,184 S * 10/2007 Lee et al. D18/50
D600,745 S * 9/2009 Inoue et al.
D607,925 S * 1/2010 Morrison et al. D18/50
D614,234 S * 4/2010 Ishikawa et al.
D624,957 S * 10/2010 Park et al. D18/50
D641,397 S * 7/2011 Kim et al. D18/55

* cited by examiner

Primary Examiner — Cathy A MacCormac

(57) **CLAIM**

The ornamental design for a printer, as shown and described.

DESCRIPTION

FIG. 1 is a top, front and right side perspective view of a printer showing our new design; FIG. 2 is a front view thereof; FIG. 3 is a rear view thereof; FIG. 4 is a top plan view thereof; FIG. 5 is a bottom plan view thereof; FIG. 6 is a left side elevational view thereof; and, FIG. 7 is a right side elevational view thereof. The broken lines on FIG. 5 are shown for illustrative purposes only and form no part of the claimed design.

1 Claim, 5 Drawing Sheets

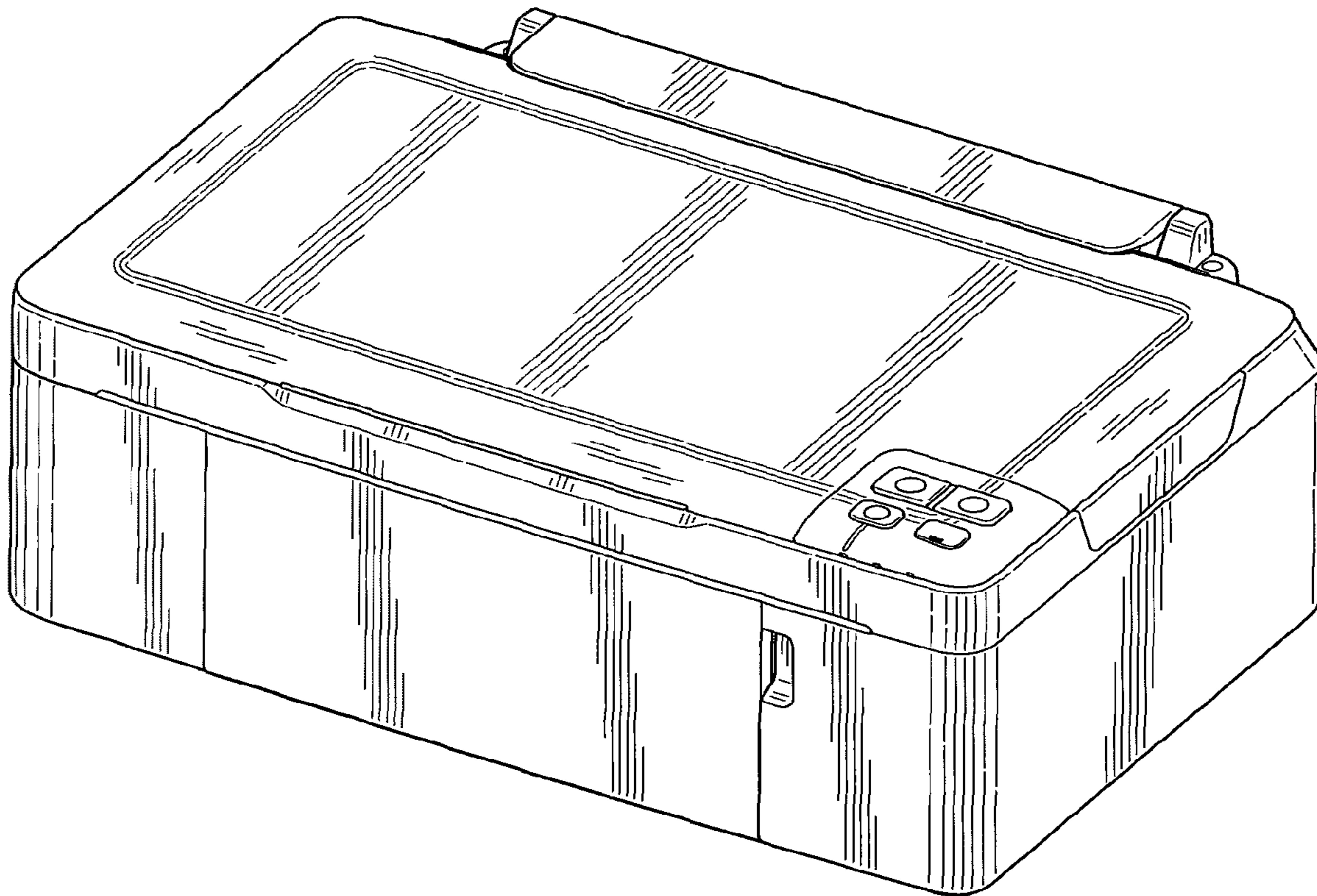


Fig. 1

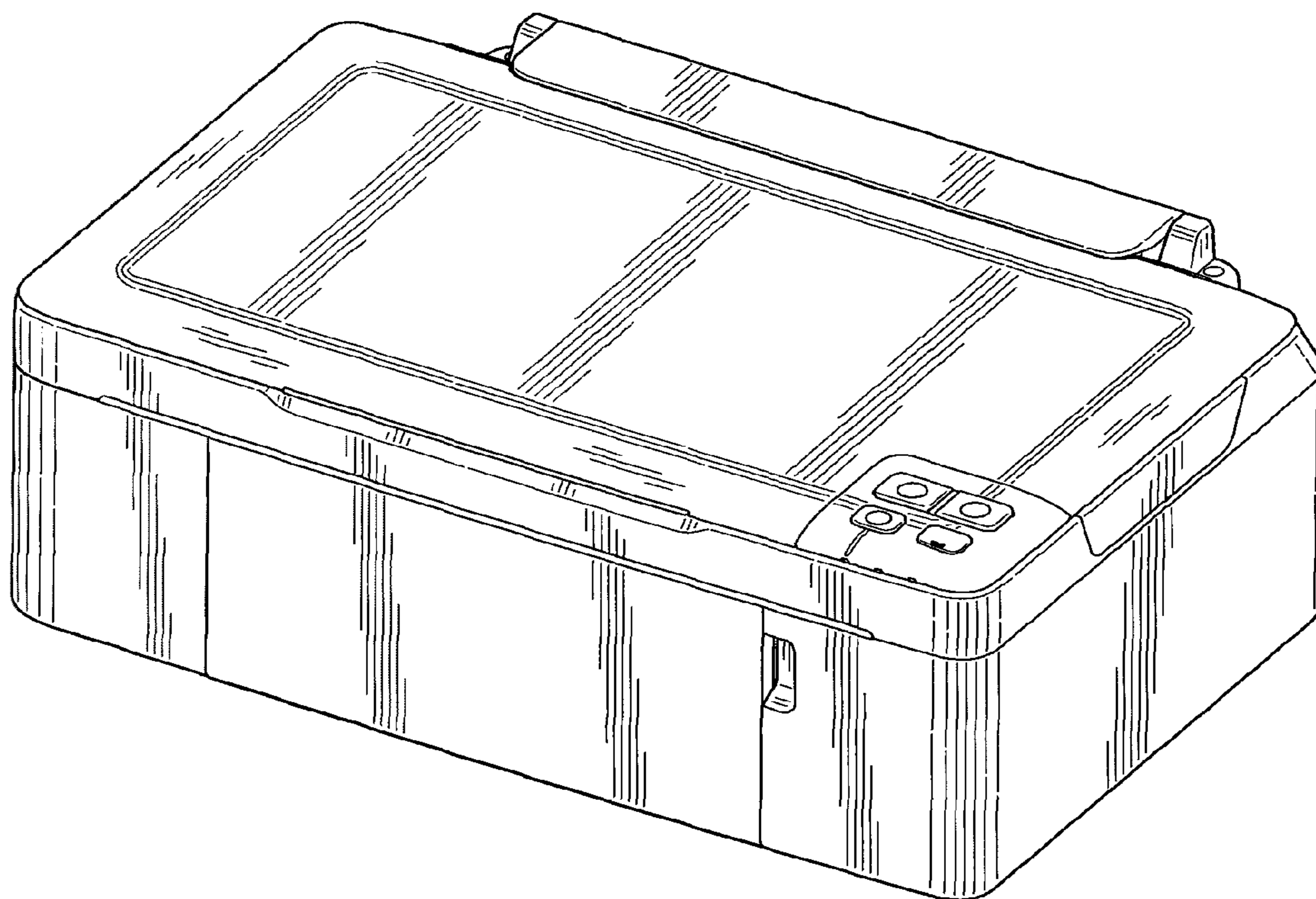


Fig. 2

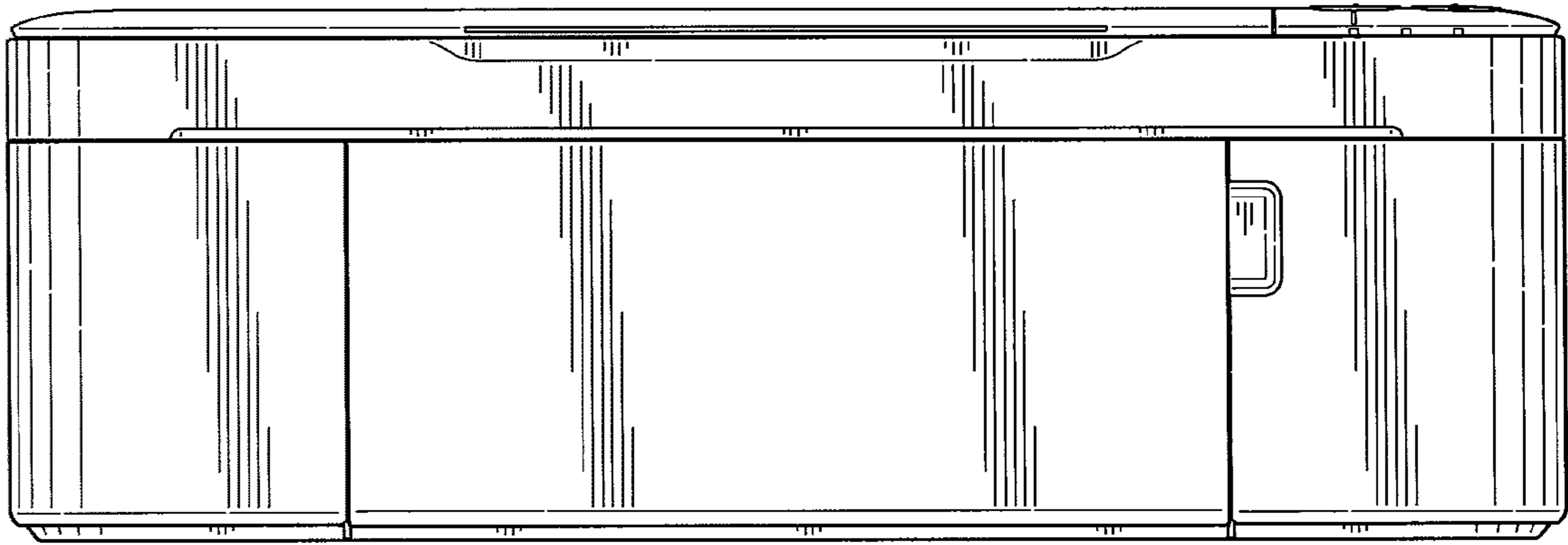


Fig. 3

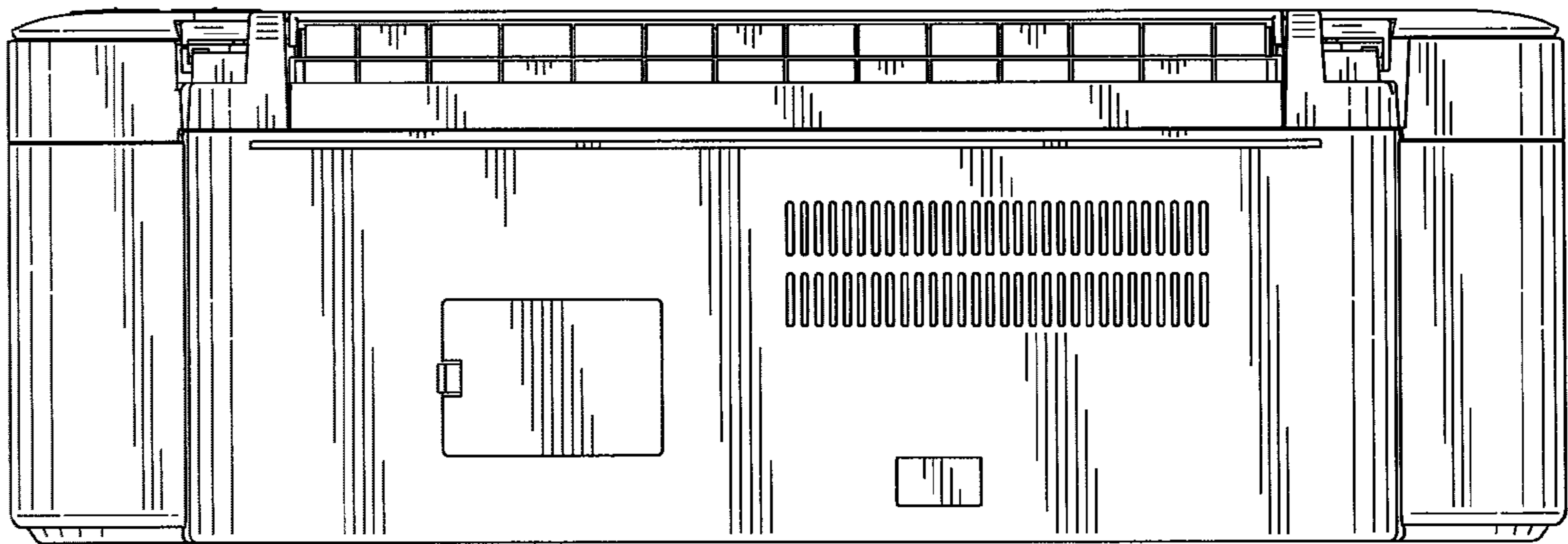


Fig. 4

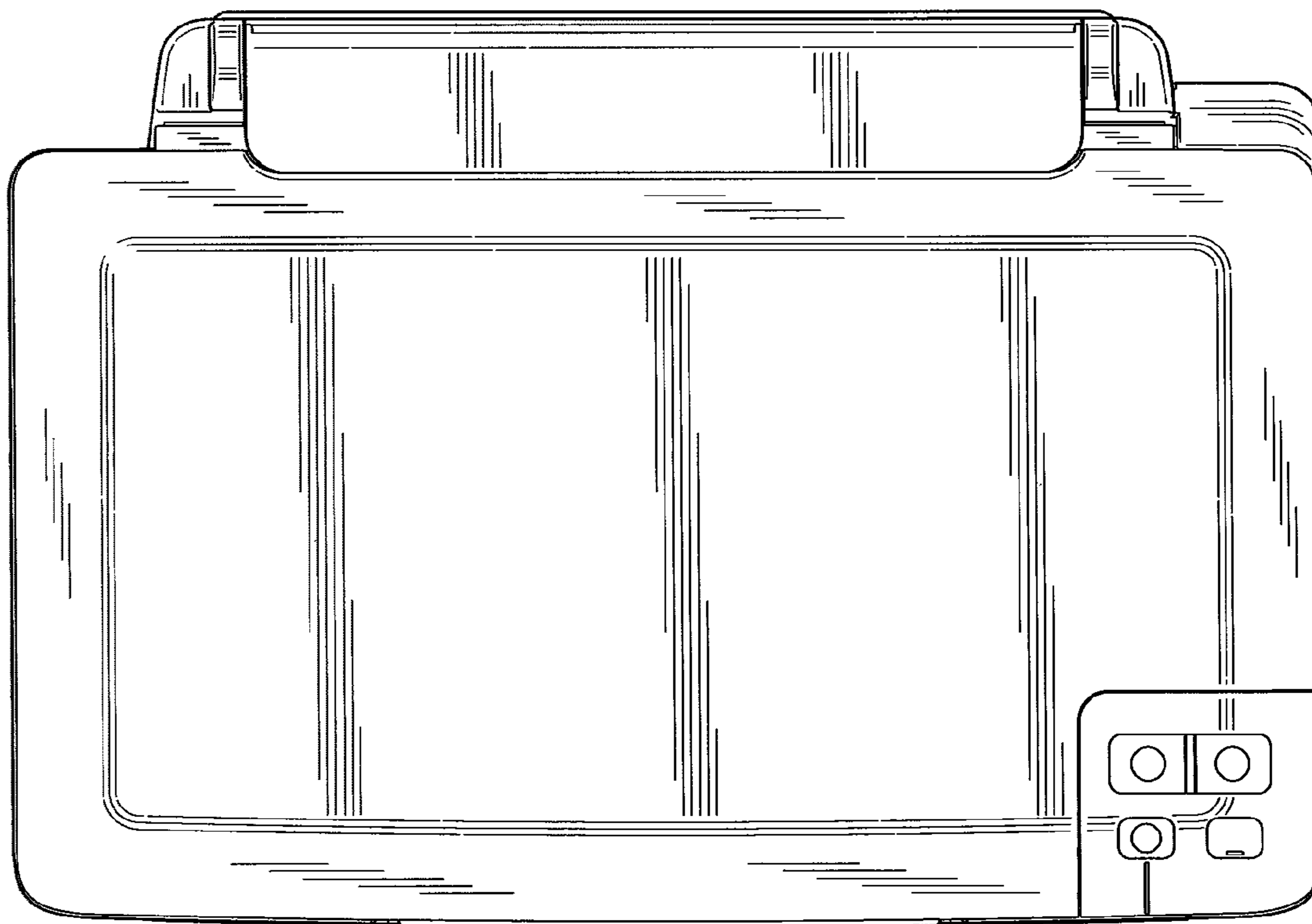


Fig. 5

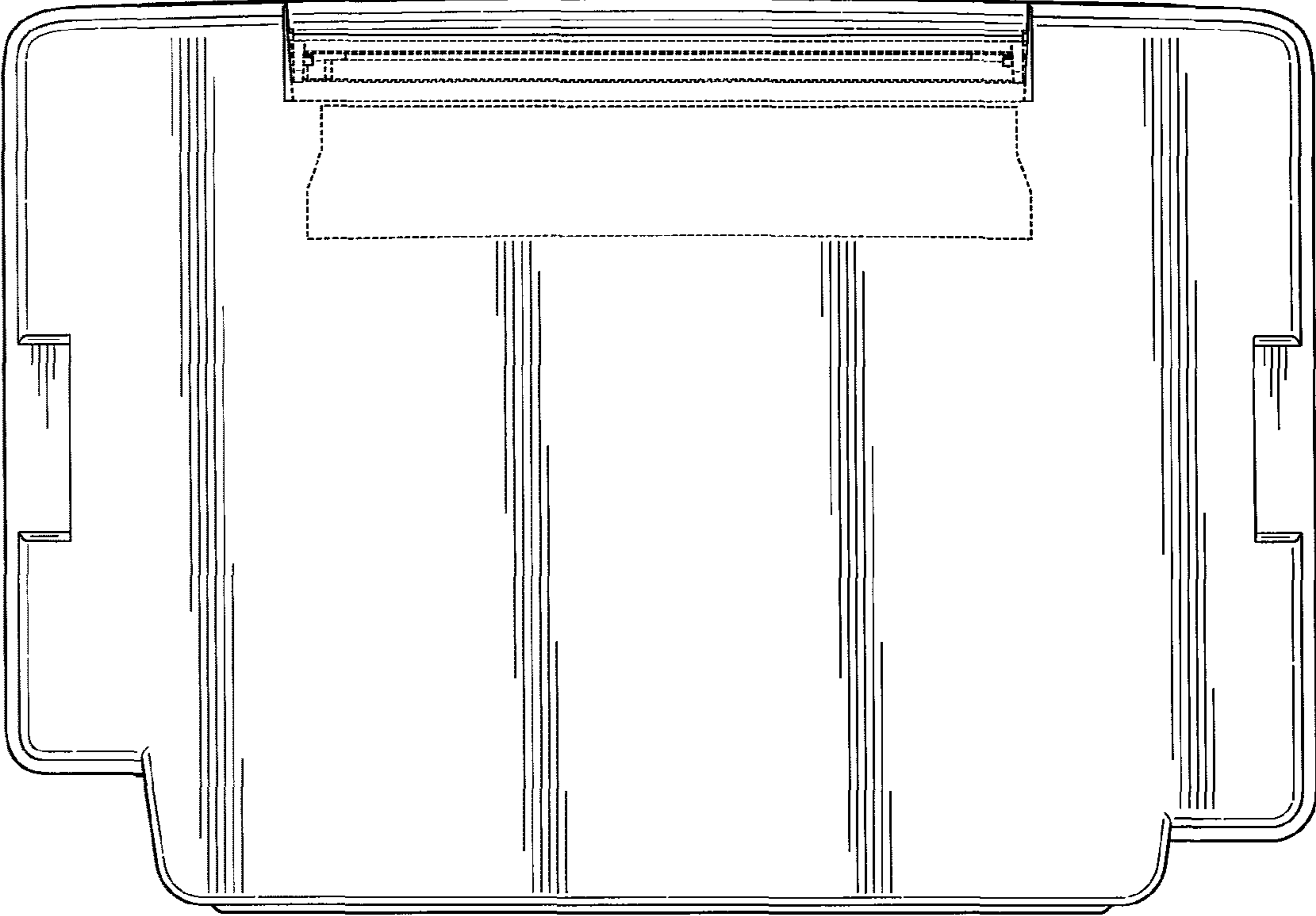


Fig. 6

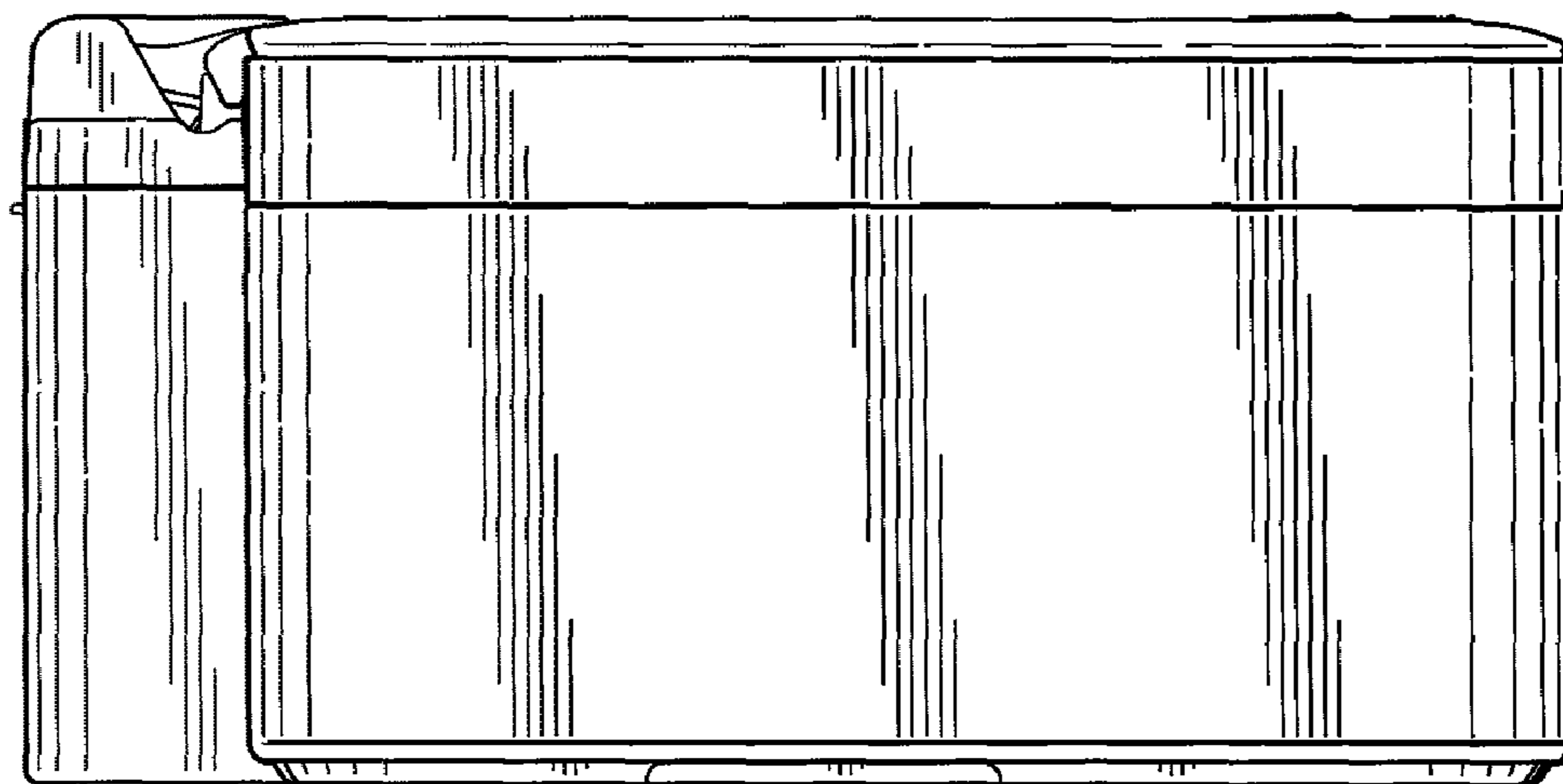


Fig. 7

