



US00D648376S

(12) **United States Design Patent**  
**Asano et al.**

(10) **Patent No.:** **US D648,376 S**  
(45) **Date of Patent:** **\*\* Nov. 8, 2011**

(54) **PRINTER**

(56) **References Cited**

(75) Inventors: **Masahide Asano**, Nagoya (JP);  
**Tomoyuki Nanno**, Nagoya (JP);  
**Nobuyuki Iwai**, Chita-gun (JP)  
  
(73) Assignee: **Brother Industries, Ltd.**, Nagoya (JP)  
  
(\*\*) Term: **14 Years**  
  
(21) Appl. No.: **29/368,801**  
  
(22) Filed: **Aug. 30, 2010**

U.S. PATENT DOCUMENTS

D369,825 S *	5/1996	Yatabe et al.	.....	D18/50
D553,186 S *	10/2007	Hoshiya et al.	.....	D18/55
D556,254 S *	11/2007	Yamaguchi et al.	.....	D18/50
D556,257 S *	11/2007	Yamaguchi et al.	.....	D18/55
D558,263 S *	12/2007	Yamaguchi	.....	D18/50
D605,691 S *	12/2009	Sato	.....	D18/55
D606,115 S *	12/2009	Sato	.....	D18/55
D613,791 S *	4/2010	Yoshioka et al.	.....	D18/55
D614,693 S *	4/2010	Kato et al.	.....	D18/50

\* cited by examiner

*Primary Examiner* — Cathy A MacCormac  
(74) *Attorney, Agent, or Firm* — Oliff & Berridge, PLC

(57) **CLAIM**

The ornamental design for a printer, as shown and described.

**DESCRIPTION**

FIG. 1 is a perspective view of a printer;  
FIG. 2 is a front view thereof;  
FIG. 3 is a top view thereof;  
FIG. 4 is a right-side view thereof;  
FIG. 5 is a left-side view thereof;  
FIG. 6 is a rear view thereof; and,  
FIG. 7 is a bottom view thereof.  
The broken lines depict environmental subject matter only  
and form no part of the claimed design.

(30) **Foreign Application Priority Data**

Mar. 1, 2010 (JP) ..... 2010-4791

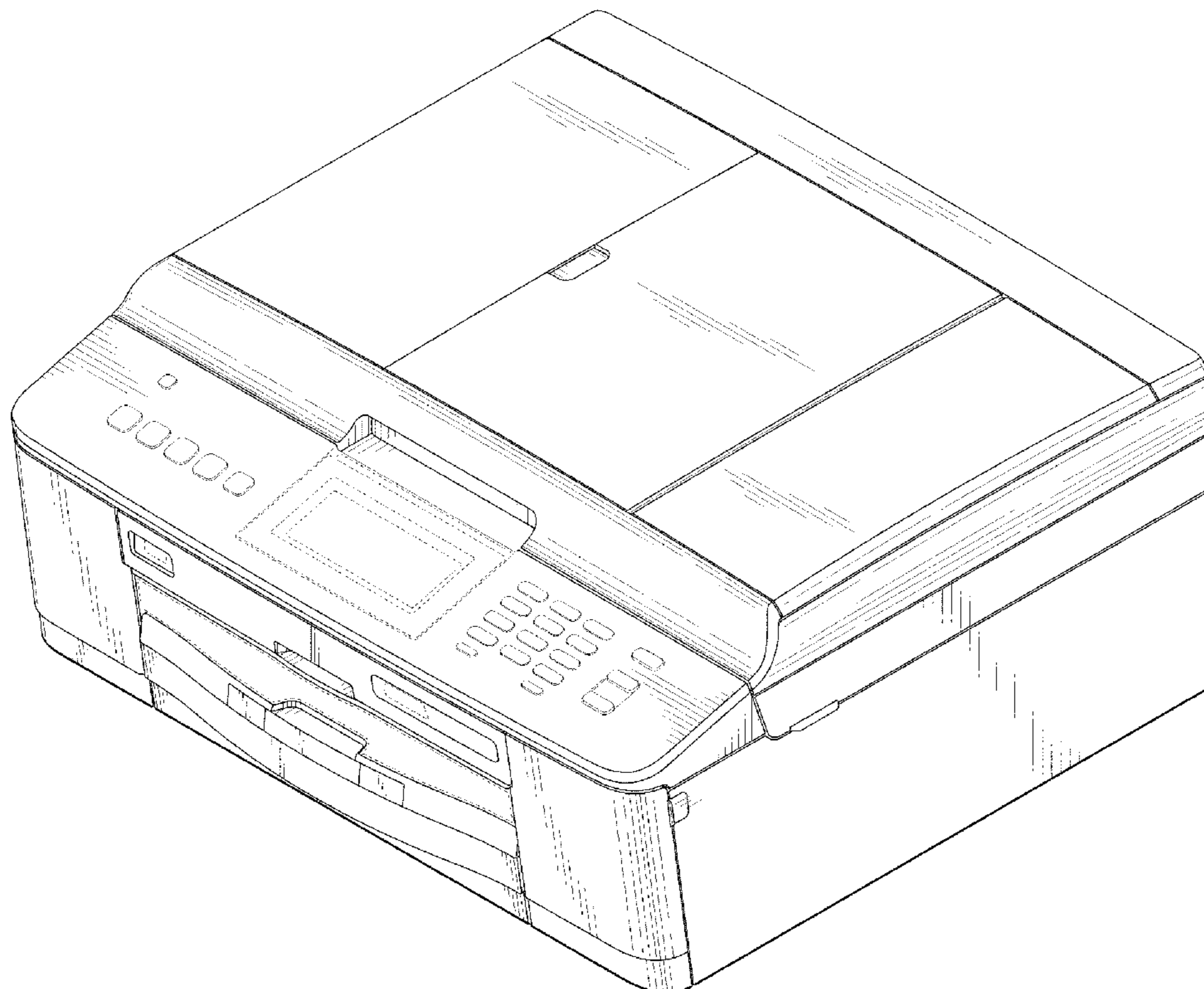
(51) **LOC (9) Cl.** ..... **14-02**

(52) **U.S. Cl.** ..... **D18/50**

(58) **Field of Classification Search** ..... D18/19,  
D18/34.1, 36-37, 50, 54, 54.1, 55; D14/420-425,  
D14/434, 463-470; 400/613, 613.1-613.4,  
400/690, 690.1-690.4, 691-694

See application file for complete search history.

**1 Claim, 6 Drawing Sheets**



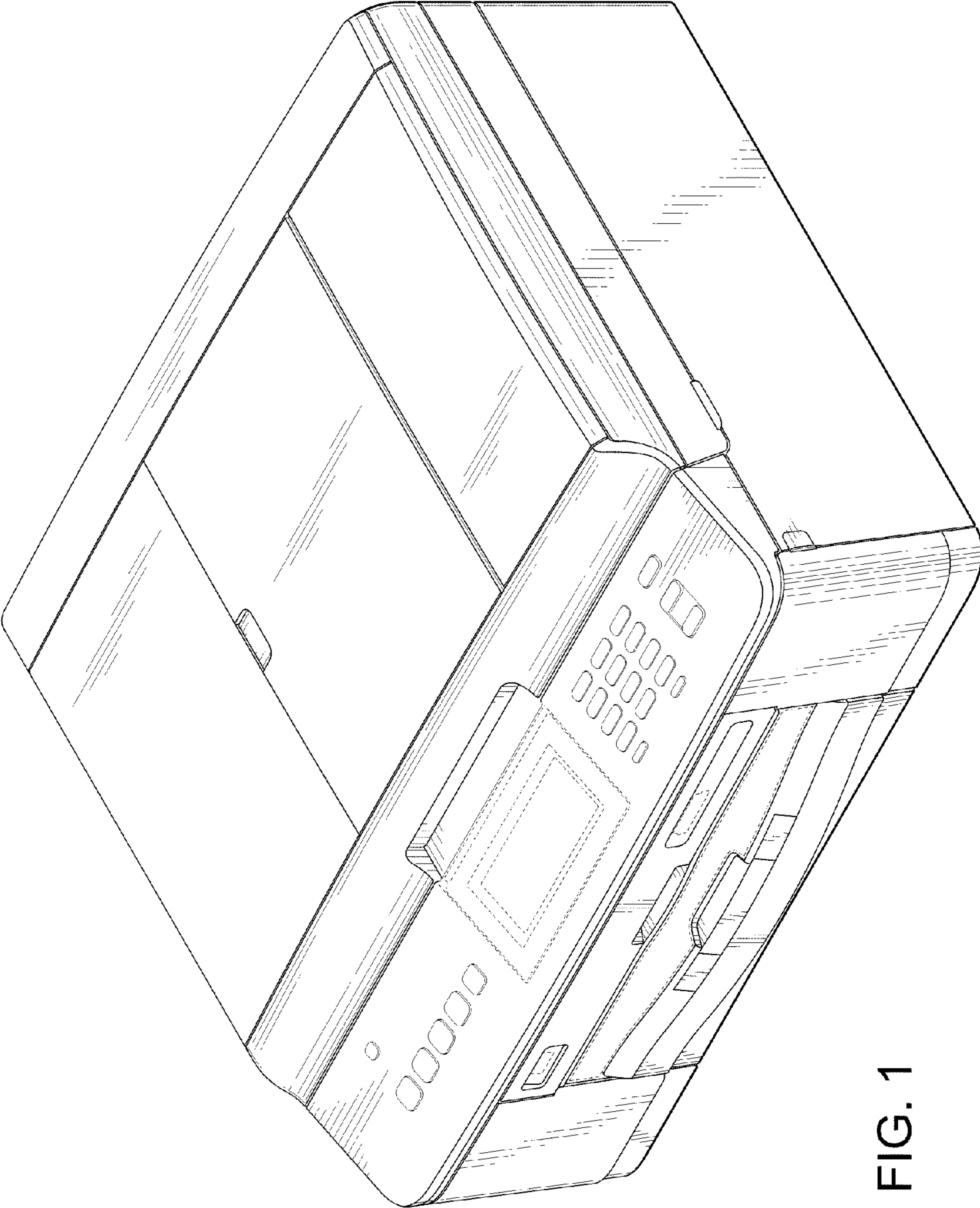


FIG. 1

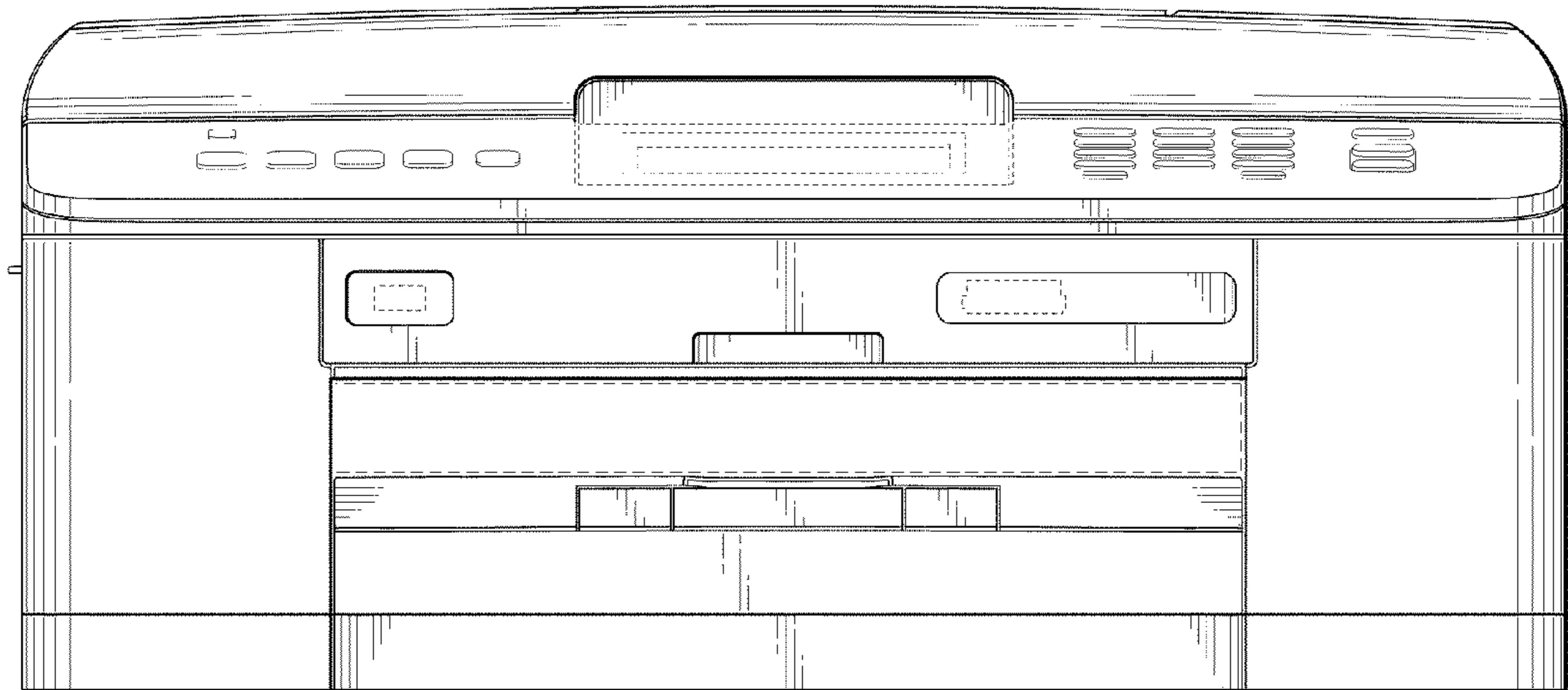


FIG. 2

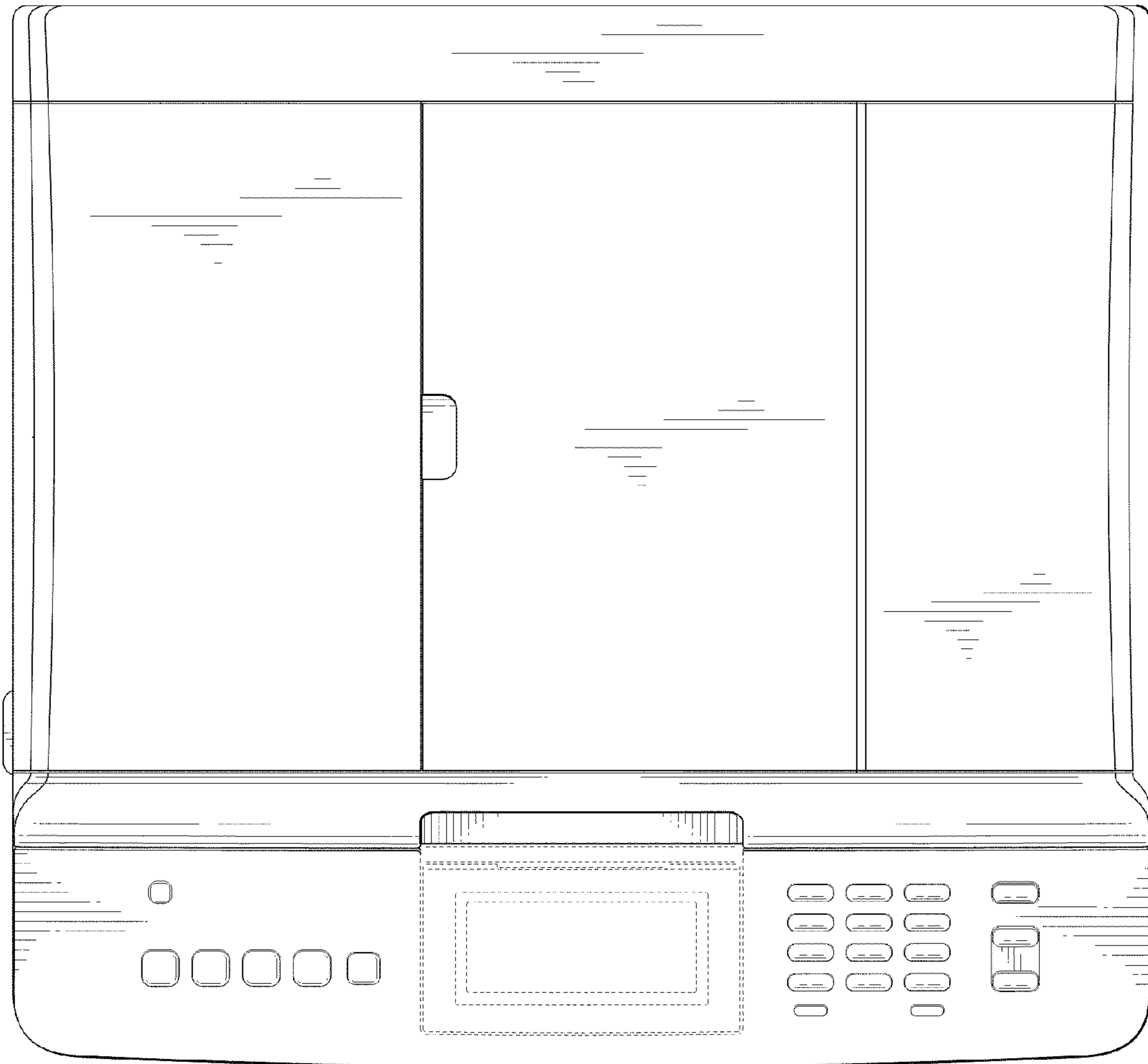


FIG. 3

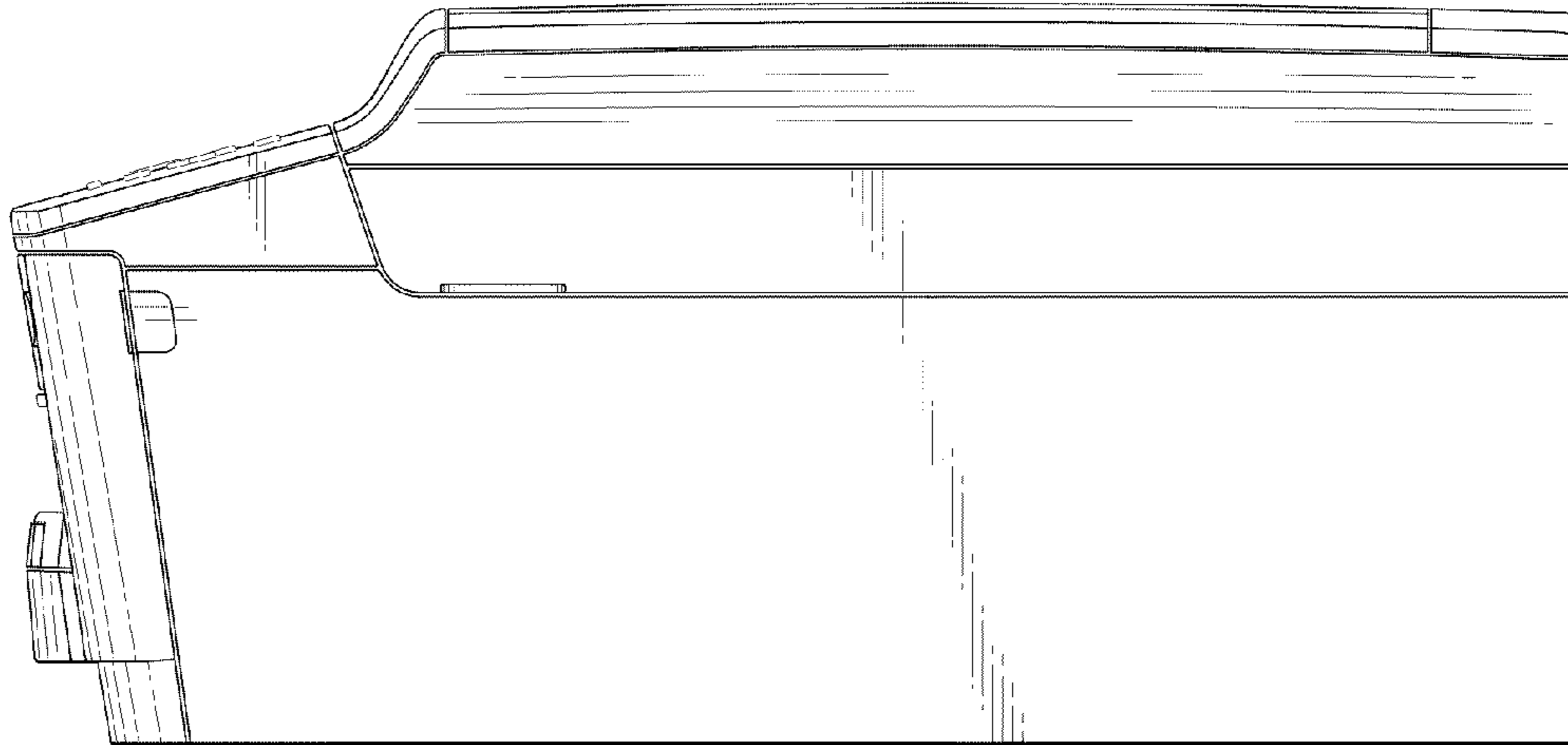


FIG. 4

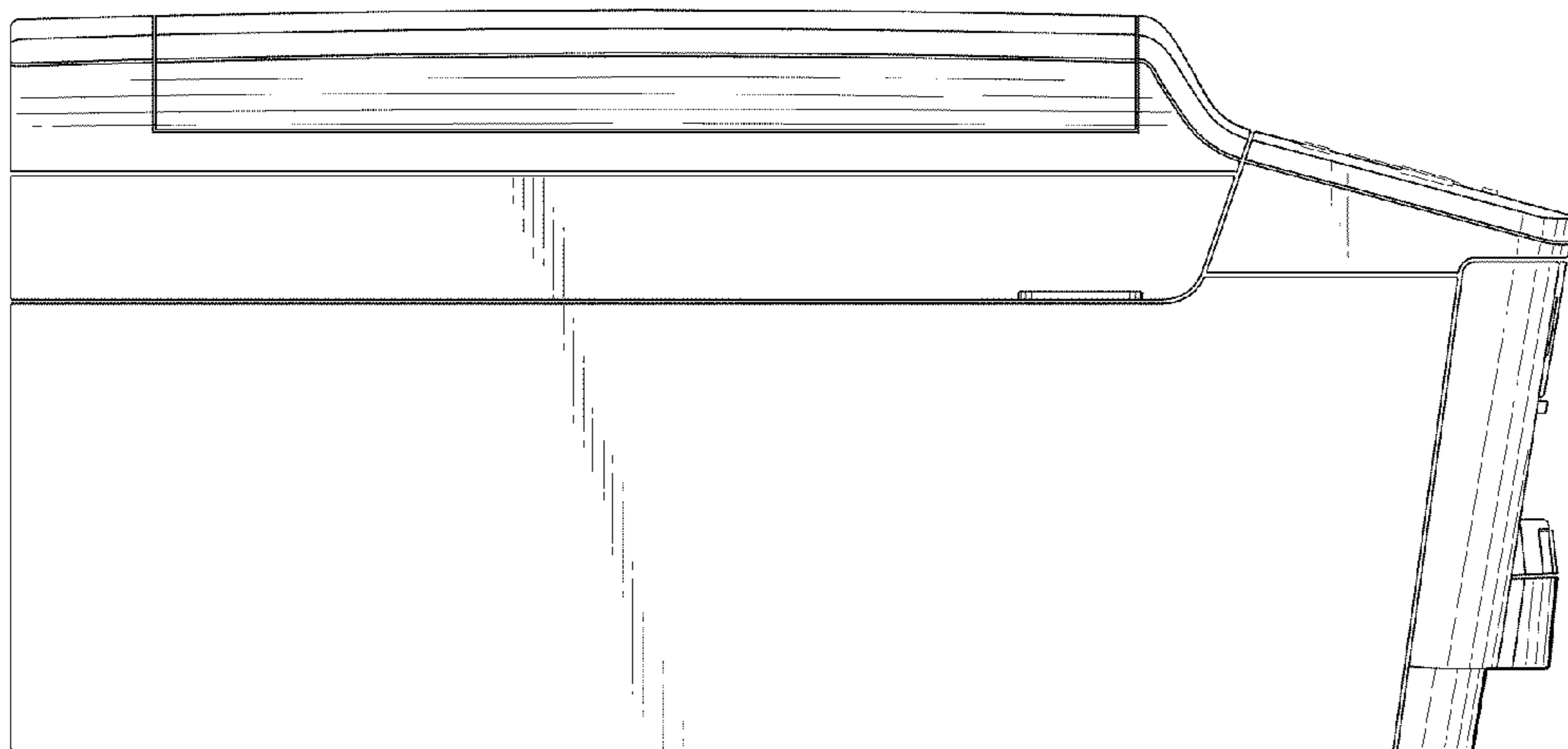


FIG. 5

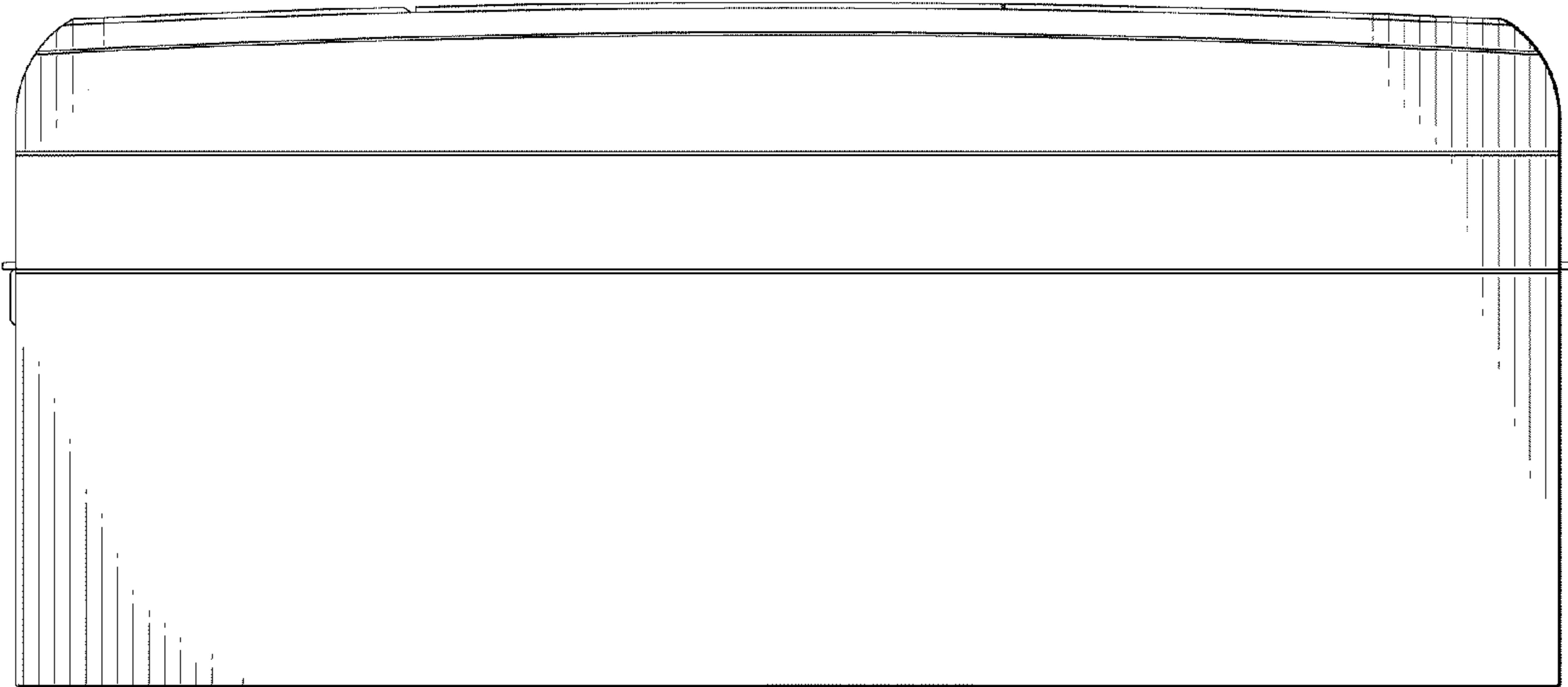


FIG. 6

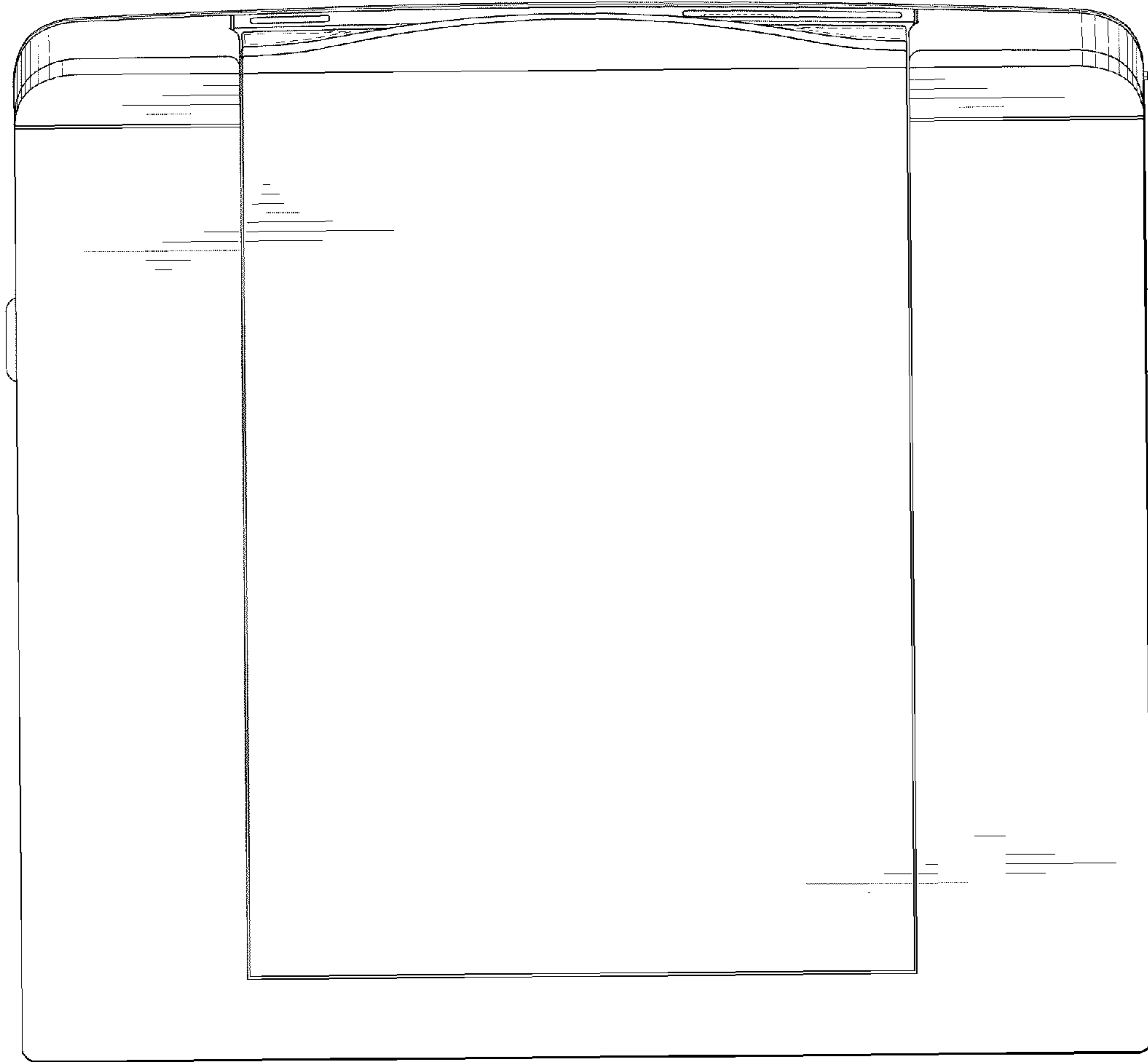


FIG. 7