



US00D648372S

(12) **United States Design Patent**
Nakao et al.

(10) **Patent No.:** **US D648,372 S**
(45) **Date of Patent:** **** Nov. 8, 2011**

(54) **OPERATING DEVICE FOR ELECTRONIC PERCUSSION INSTRUMENT**

(75) Inventors: **Koichi Nakao**, Hamamatsu (JP);
Hideaki Yamane, Hamamatsu (JP)

(73) Assignee: **Roland Corporation**, Hamamatsu,
Shizuoka-ken (JP)

(**) Term: **14 Years**

(21) Appl. No.: **29/323,768**

(22) Filed: **Aug. 29, 2008**

(51) **LOC (9) Cl.** **17-04**

(52) **U.S. Cl.** **D17/22**

(58) **Field of Classification Search** D17/22,
D17/99; 84/723, 411 R, 104, 107, 421, 453;
248/443

See application file for complete search history.

(56) **References Cited**

U.S. PATENT DOCUMENTS

4,453,446	A *	6/1984	Hoshino	84/421
5,400,683	A *	3/1995	LaFlame	84/421
5,573,158	A *	11/1996	Penn	224/265
5,691,492	A	11/1997	May	
D401,612	S *	11/1998	Takei	D17/22
6,172,290	B1 *	1/2001	May	84/421
D507,014	S *	7/2005	Ito	D17/22
7,294,775	B1 *	11/2007	Spoljaric, Jr.	84/421
7,576,276	B2 *	8/2009	Hallerberg	84/421

7,671,261	B1 *	3/2010	Momose	84/421
7,795,518	B2 *	9/2010	Yoshino et al.	84/411 R
RE42,487	E *	6/2011	May	84/421
7,960,634	B2 *	6/2011	Gauger	84/421
2009/0165630	A1 *	7/2009	Hallerberg	84/421

FOREIGN PATENT DOCUMENTS

JP	11-502640	3/1999
JP	2007-286104	11/2007

* cited by examiner

Primary Examiner — Mark Goodwin

(74) *Attorney, Agent, or Firm* — Foley & Lardner LLP

(57) **CLAIM**

We claim the ornamental design for an operating device for electronic percussion instrument, as shown and described.

DESCRIPTION

FIG. 1 is a front view of the operating device for electronic percussion instrument showing our new design;

FIG. 2 is a rear view thereof;

FIG. 3 is a top plan view thereof;

FIG. 4 is a bottom plan view thereof;

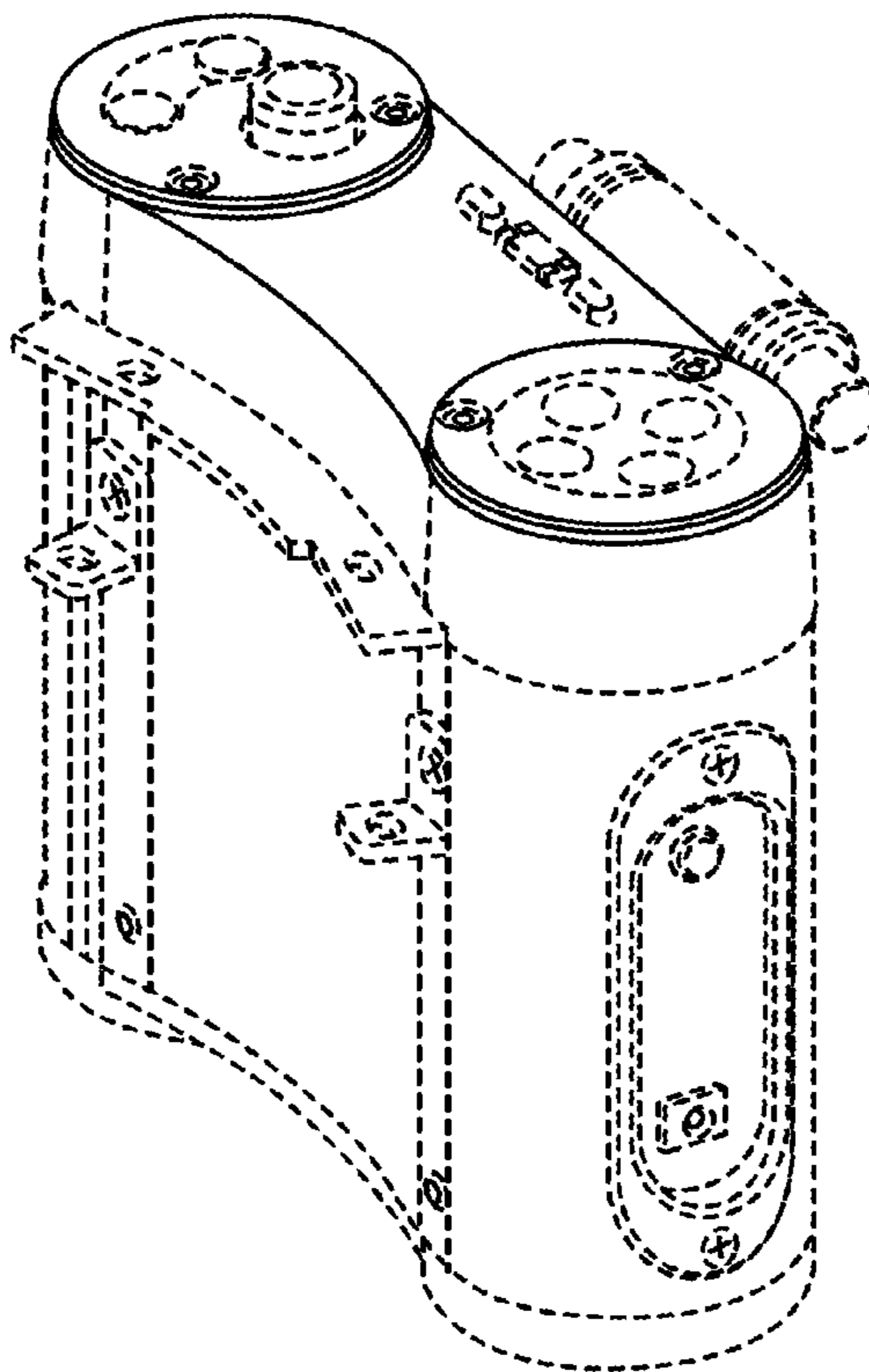
FIG. 5 is a left side view thereof;

FIG. 6 is a right side view thereof; and,

FIG. 7 is a front, top, left side perspective view thereof.

The ornamental design which is claimed is shown in solid lines in the drawings. The broken lines in the drawings are for illustrative purposes only and form no part of the claimed design.

1 Claim, 4 Drawing Sheets



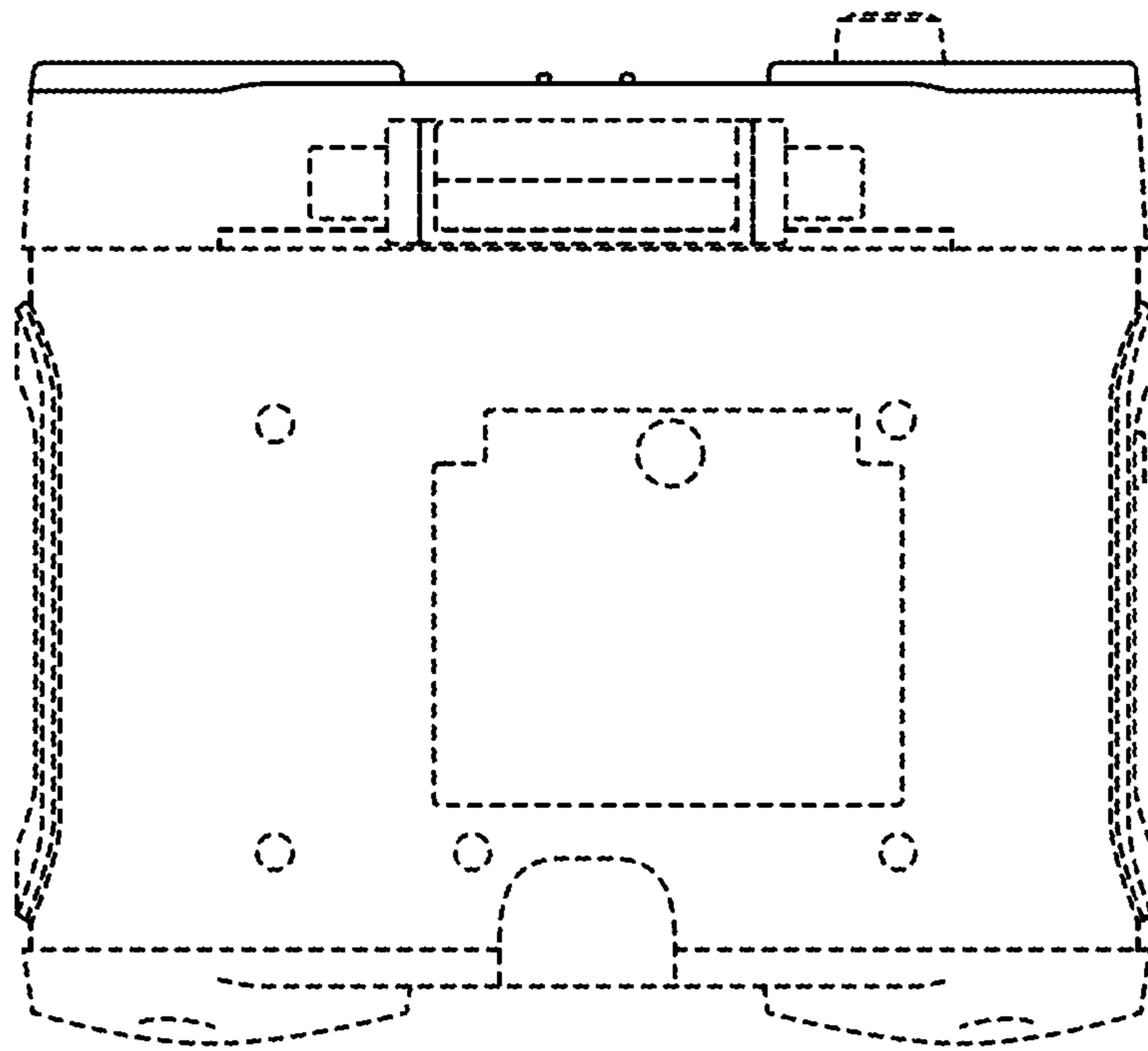


FIG. 1

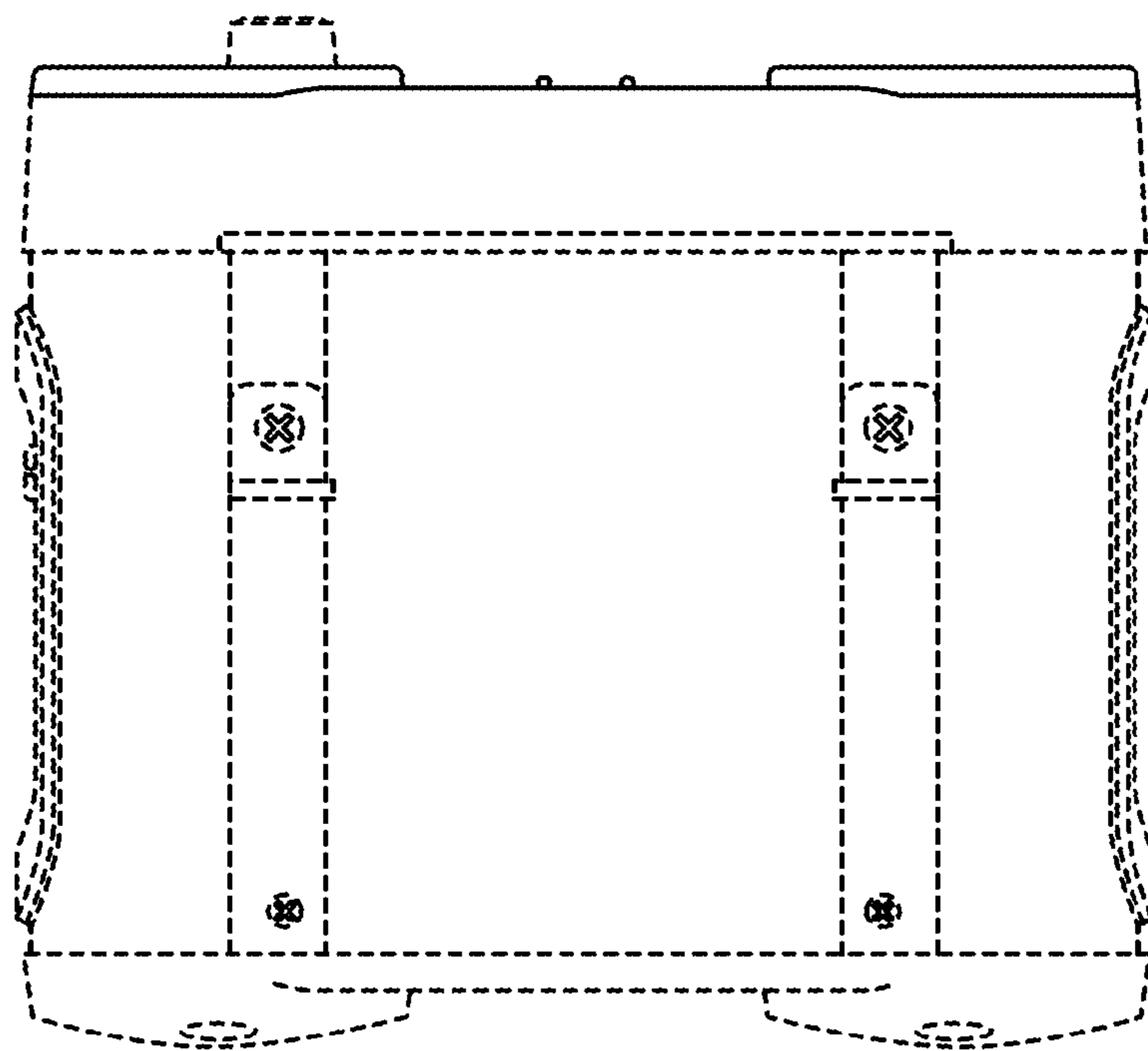


FIG. 2

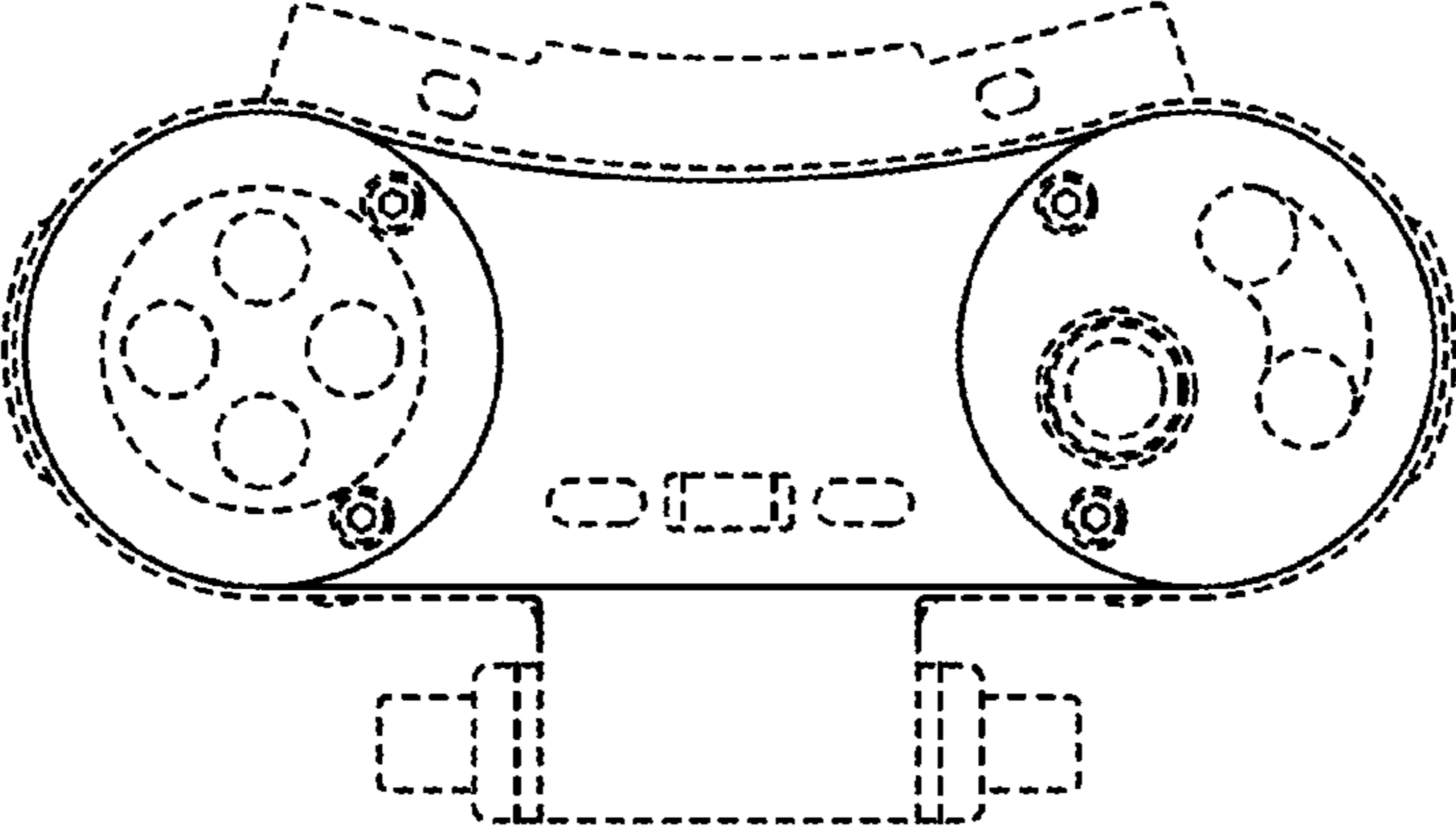


FIG. 3

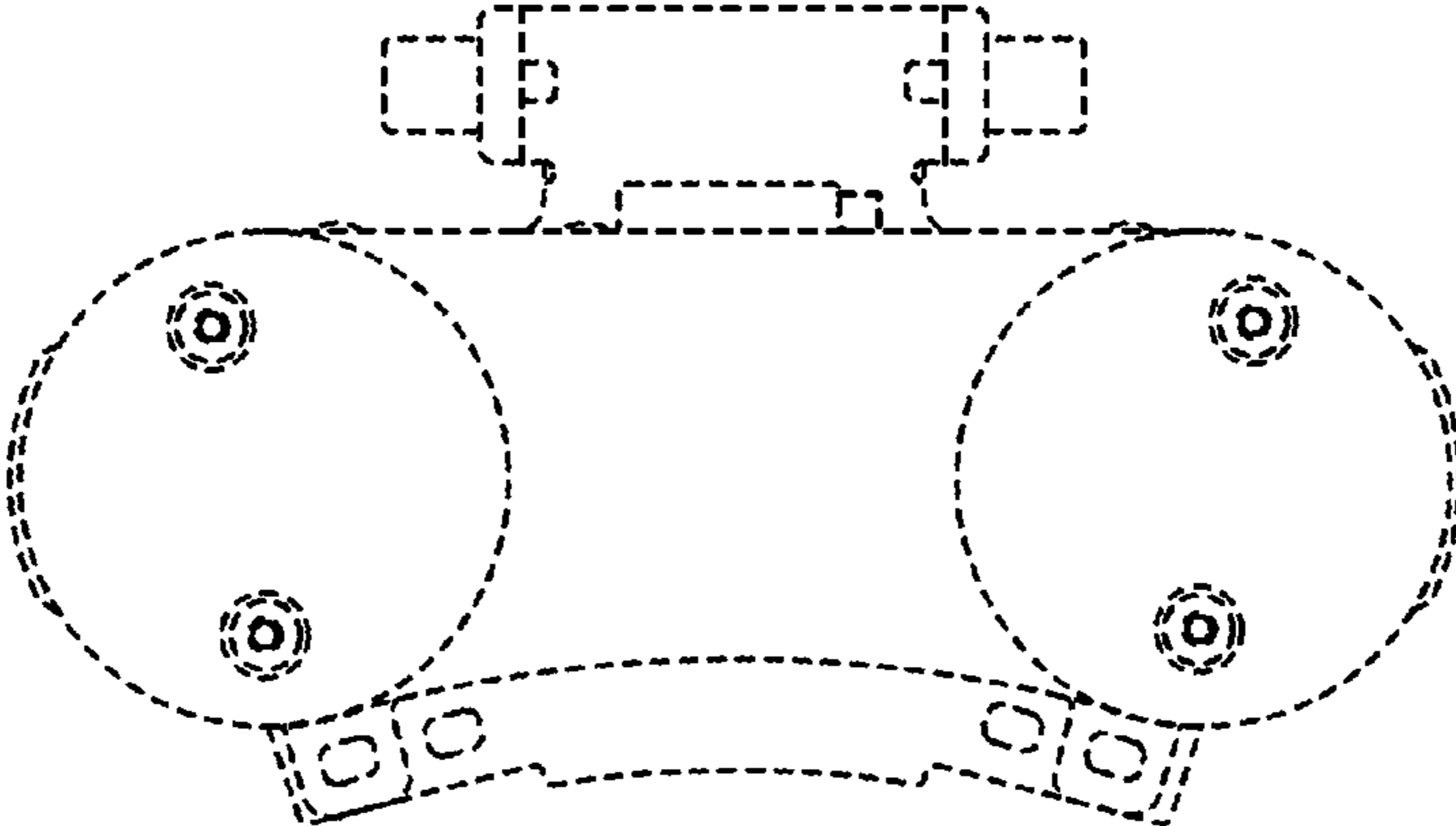


FIG. 4

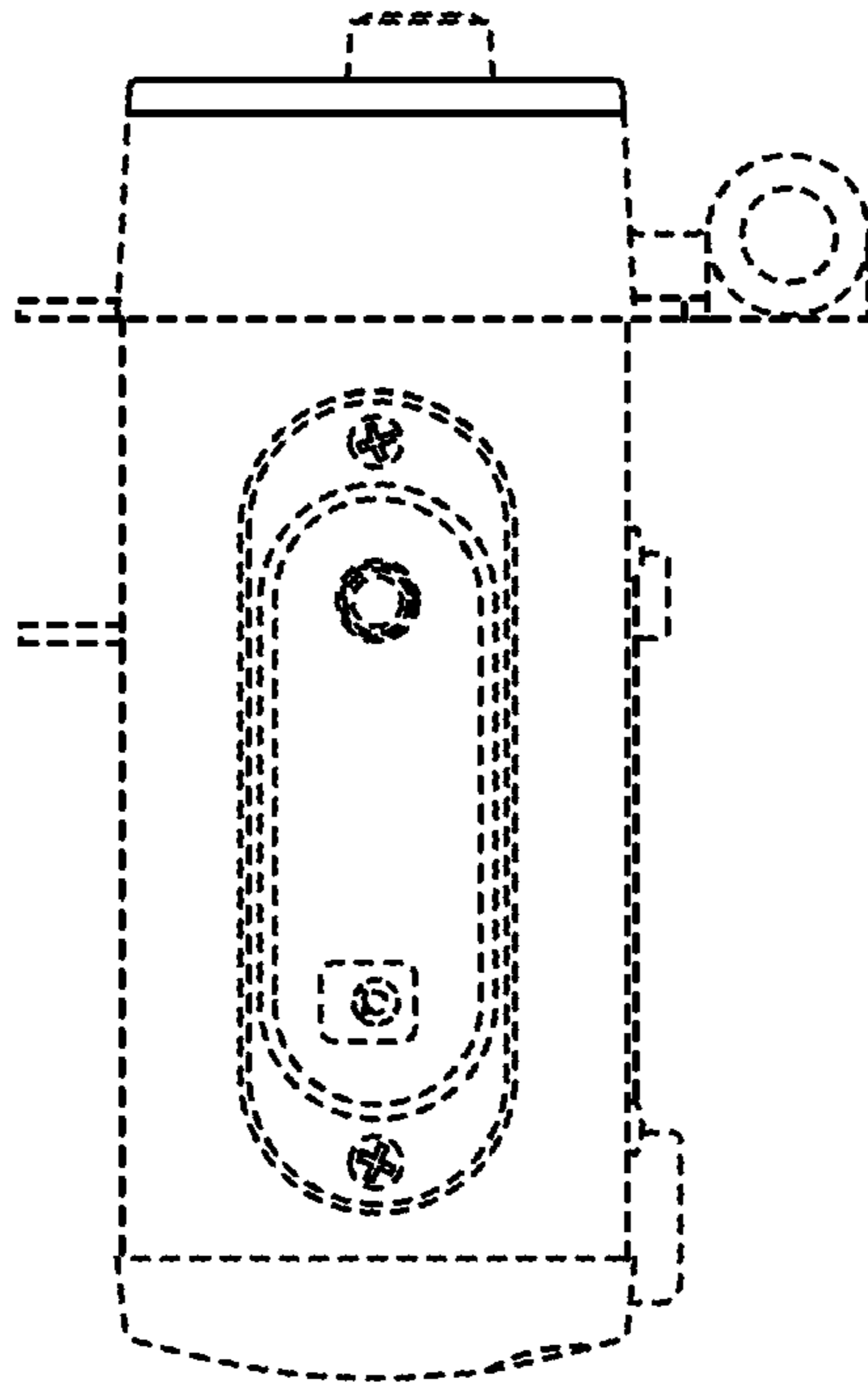


FIG. 5

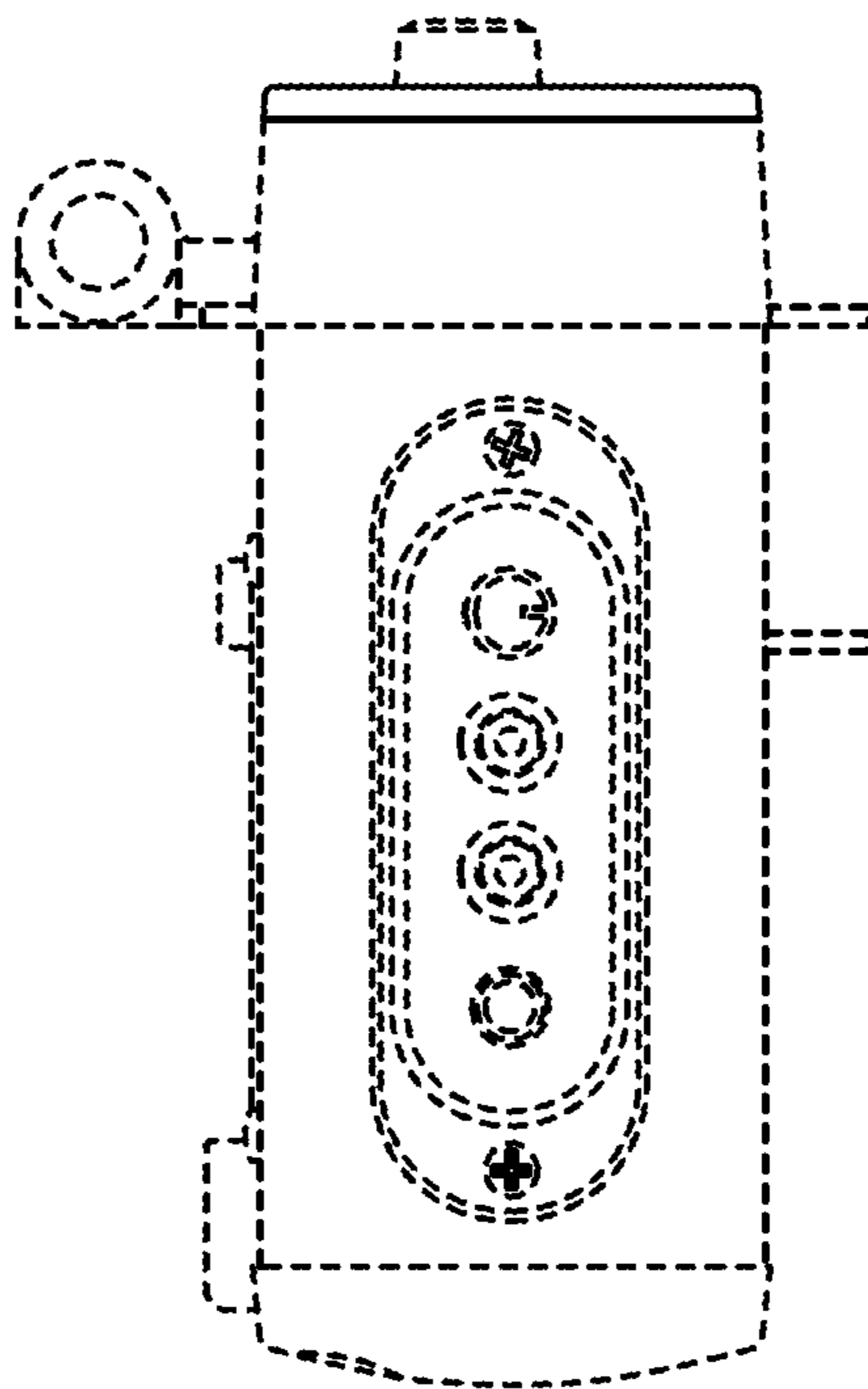


FIG. 6

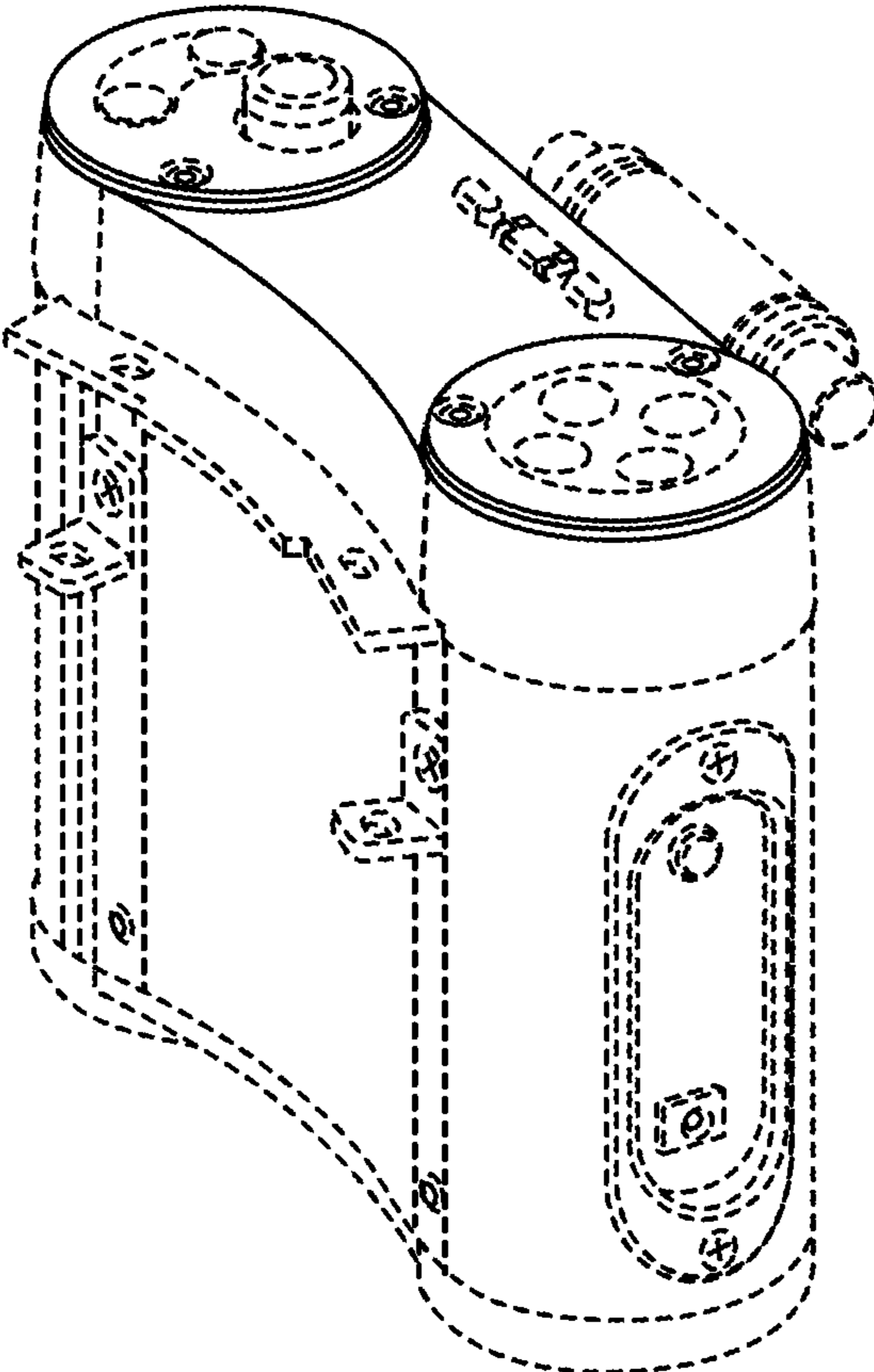


FIG. 7