



US00D648370S

(12) **United States Design Patent**
Yoshida

(10) **Patent No.:** **US D648,370 S**
(45) **Date of Patent:** **** Nov. 8, 2011**

(54) **CAMERA CONTROLLER**

FOREIGN PATENT DOCUMENTS

(75) Inventor: **Tomoya Yoshida**, Kanagawa (JP)

JP D746427 10/1988
JP D1278849 8/2006

(73) Assignee: **Panasonic Corporation**, Osaka (JP)

* cited by examiner

(**) Term: **14 Years**

Primary Examiner — Adir Aronovich

(21) Appl. No.: **29/375,439**

(74) *Attorney, Agent, or Firm* — Brinks Hofer Gilson & Lione

(22) Filed: **Sep. 22, 2010**

(30) **Foreign Application Priority Data**

(57) **CLAIM**

Jun. 1, 2010 (JP) 2010-013466

I claim the ornamental design for a camera controller, as shown and described.

(51) **LOC (9) Cl.** **16-05**

DESCRIPTION

(52) **U.S. Cl.** **D16/237; D14/218; D21/333**

(58) **Field of Classification Search** D13/164,
D13/168; D14/218; D21/324, 329, 333;
463/38, 46; 396/57, 300

See application file for complete search history.

FIG. 1 is a top perspective view of a camera controller of the present invention;
FIG. 2 is a front elevational view thereof;
FIG. 3 is a rear elevational view thereof;
FIG. 4 is a right side elevational view thereof;
FIG. 5 is a left side elevational view thereof;
FIG. 6 is a top plan view thereof; and,
FIG. 7 is a bottom plan view thereof.

(56) **References Cited**

U.S. PATENT DOCUMENTS

D411,530 S * 6/1999 Carter et al. D14/217
D412,337 S * 7/1999 Hamano D16/237
D421,038 S * 2/2000 Hisatsune D16/237
D451,529 S * 12/2001 Vasquez D16/237
D503,928 S * 4/2005 Obata D13/164
D606,981 S * 12/2009 Kaneko D14/218
D636,744 S * 4/2011 Yoshida D14/125

The broken line showing of camera controller is shown to illustrate environment only and form no part of the claimed design. The dash-dot broken lines in the drawings define the boundaries of the claimed design and form no part thereof.

1 Claim, 7 Drawing Sheets

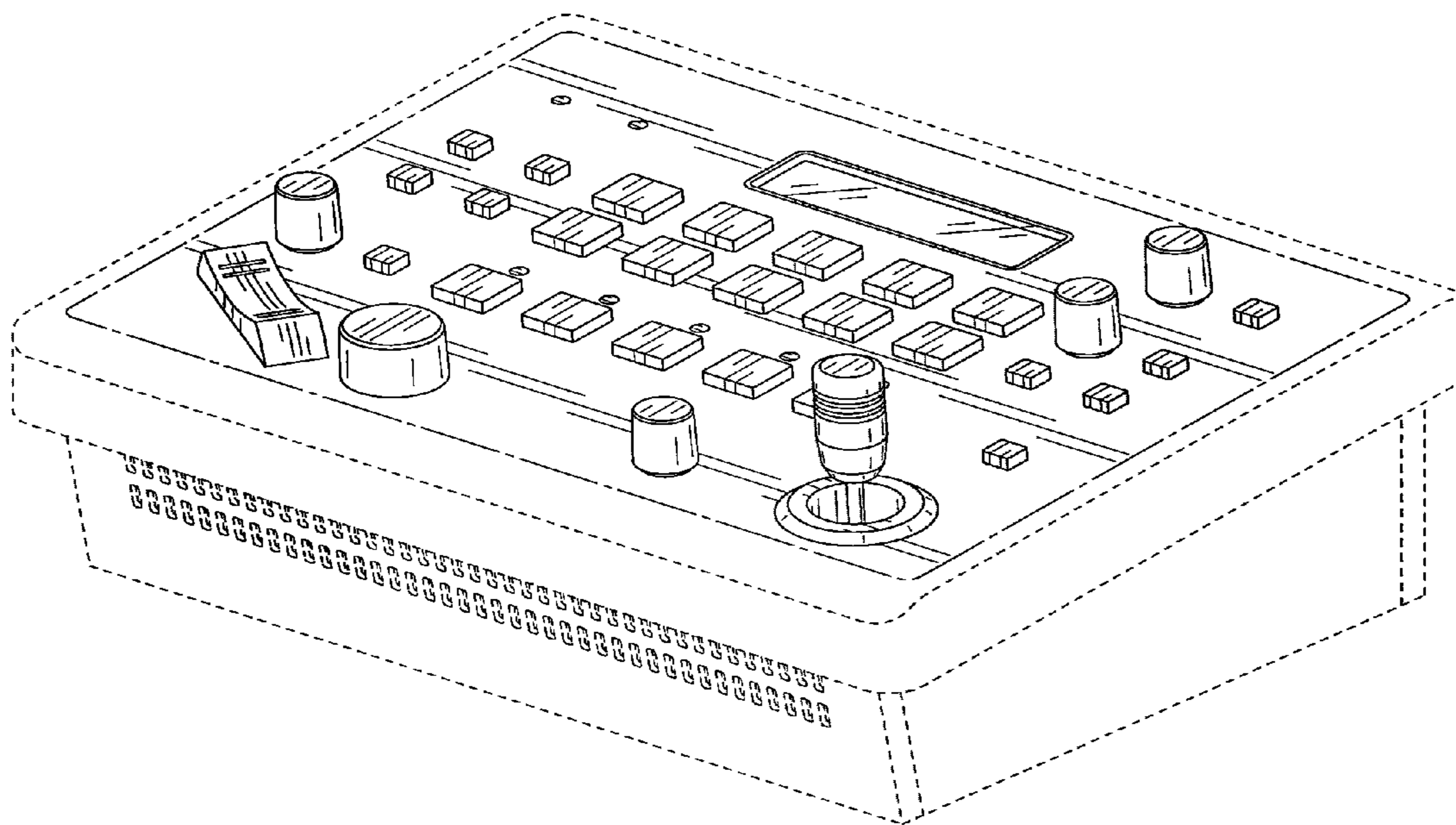


FIG.1

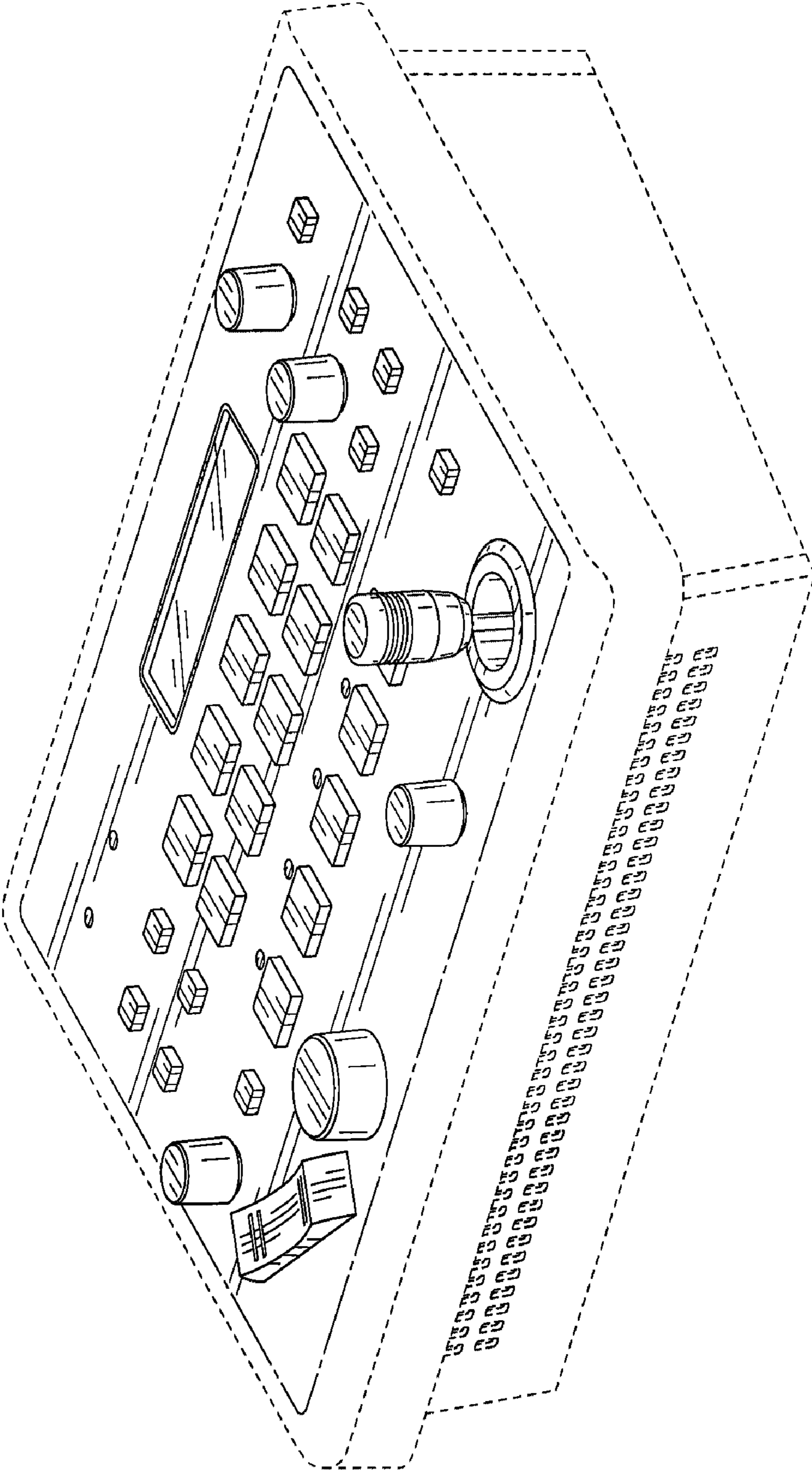


FIG.2

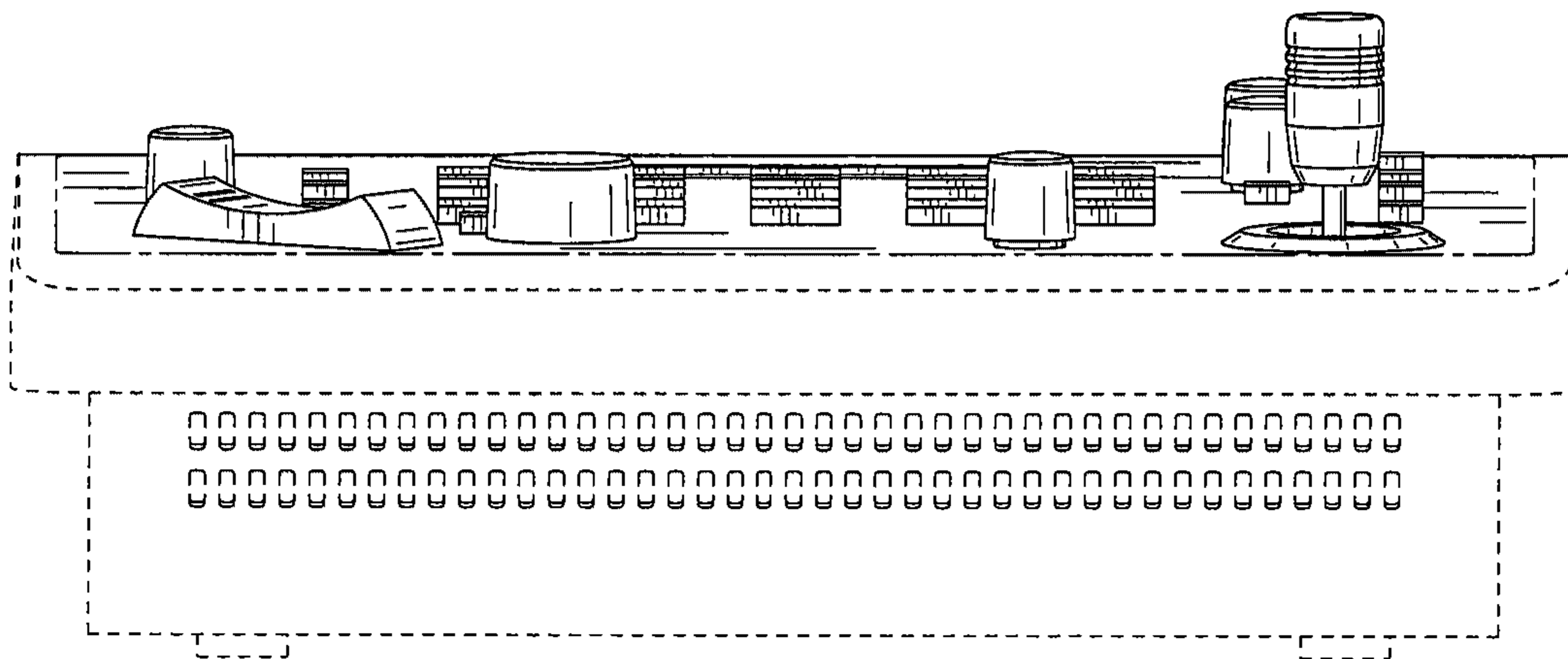


FIG.3

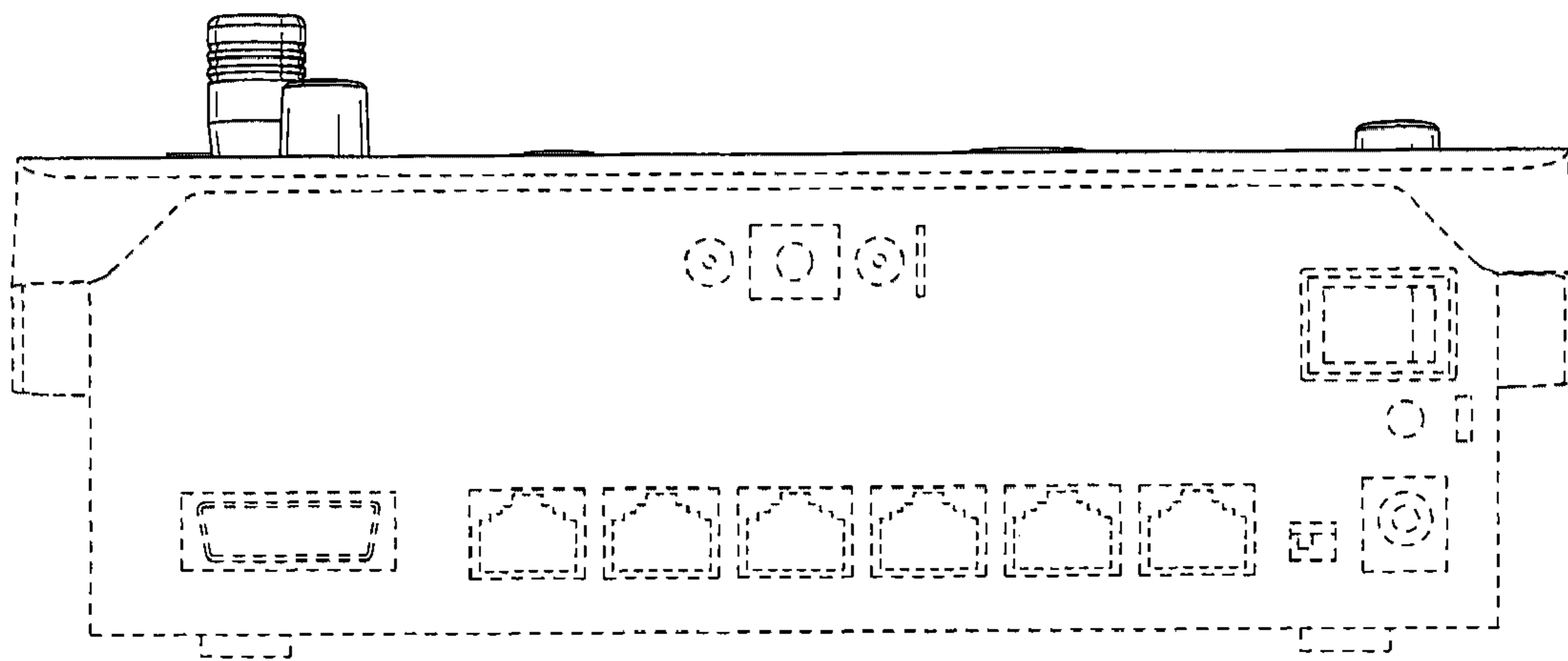


FIG.4

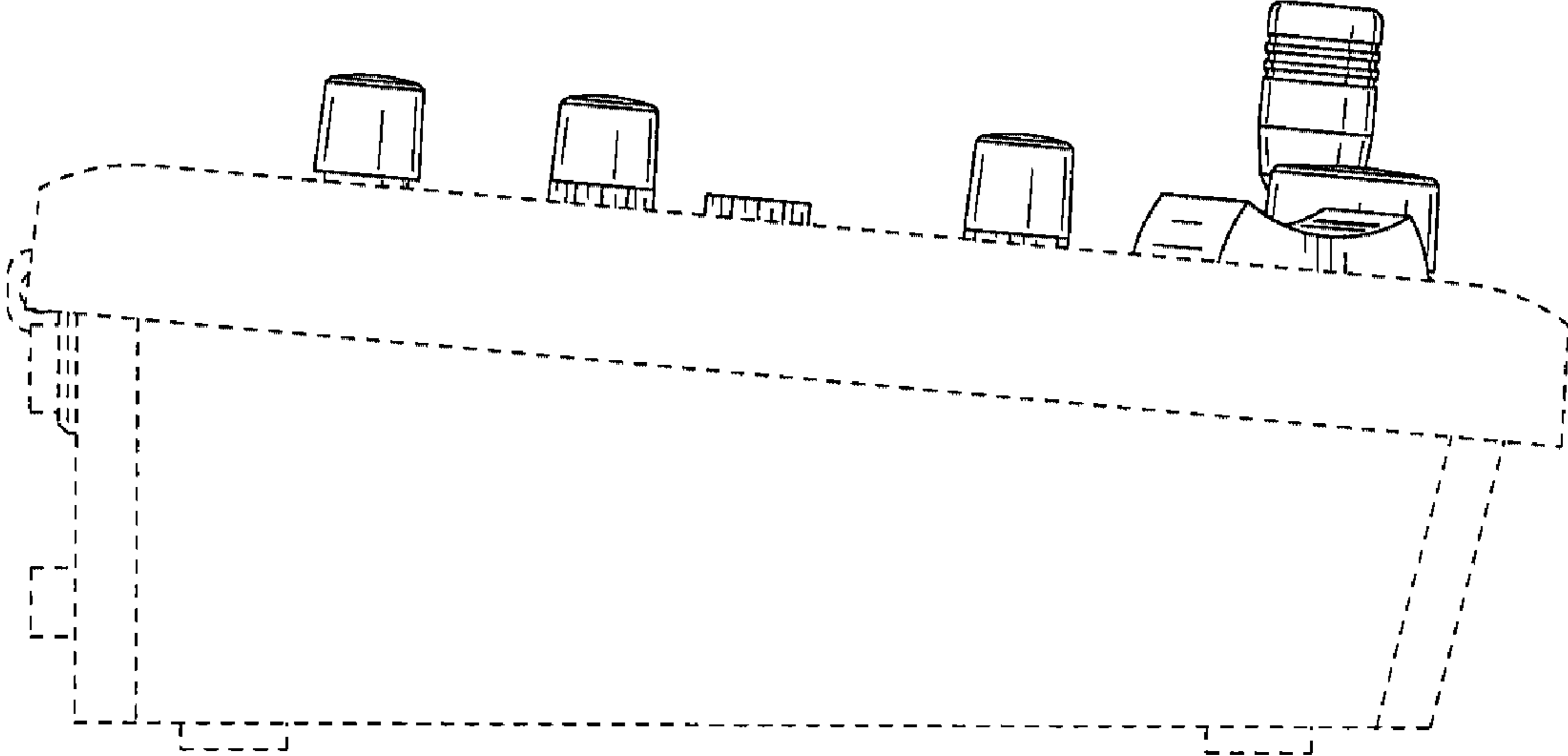


FIG.5

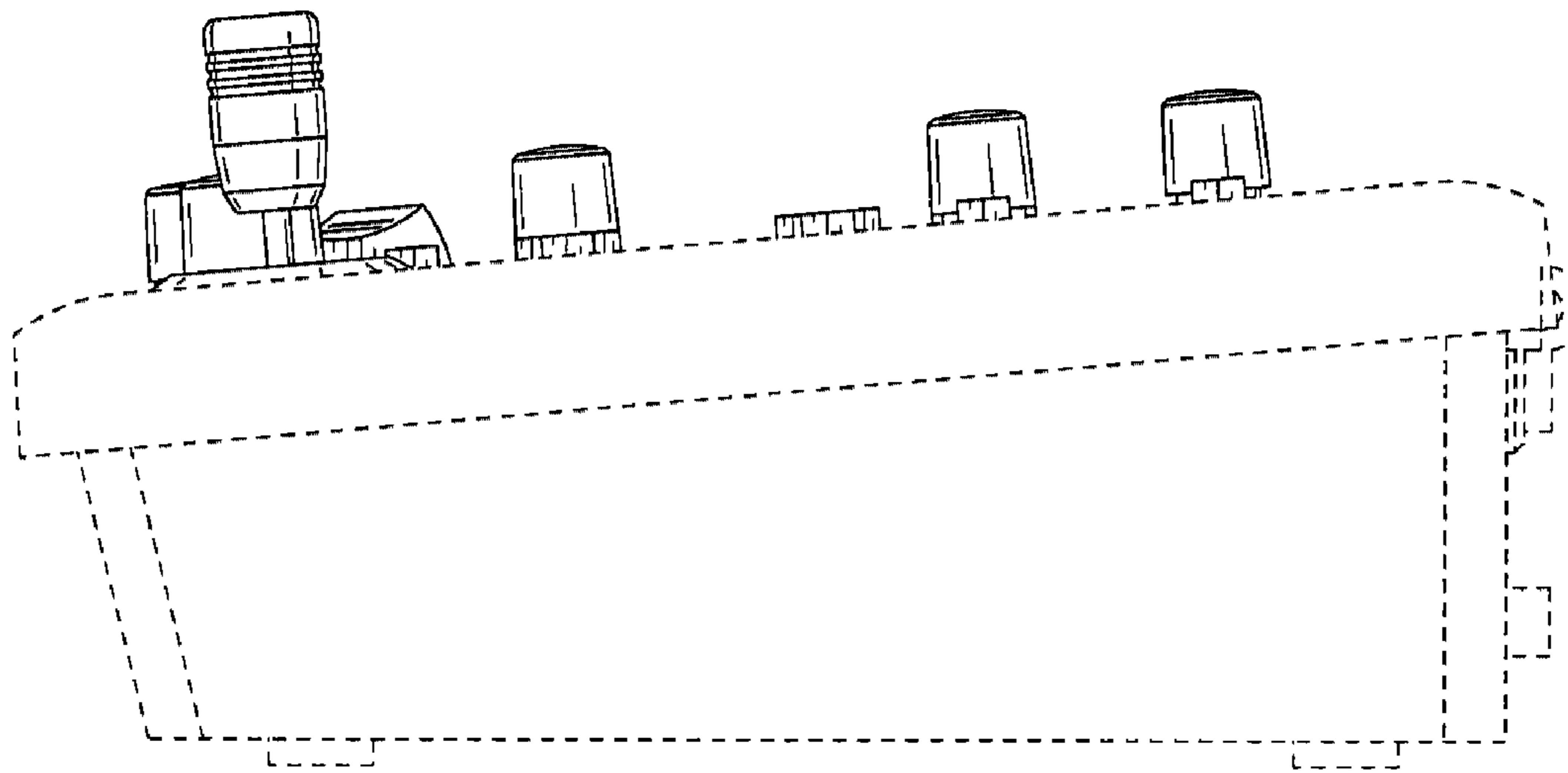


FIG.6

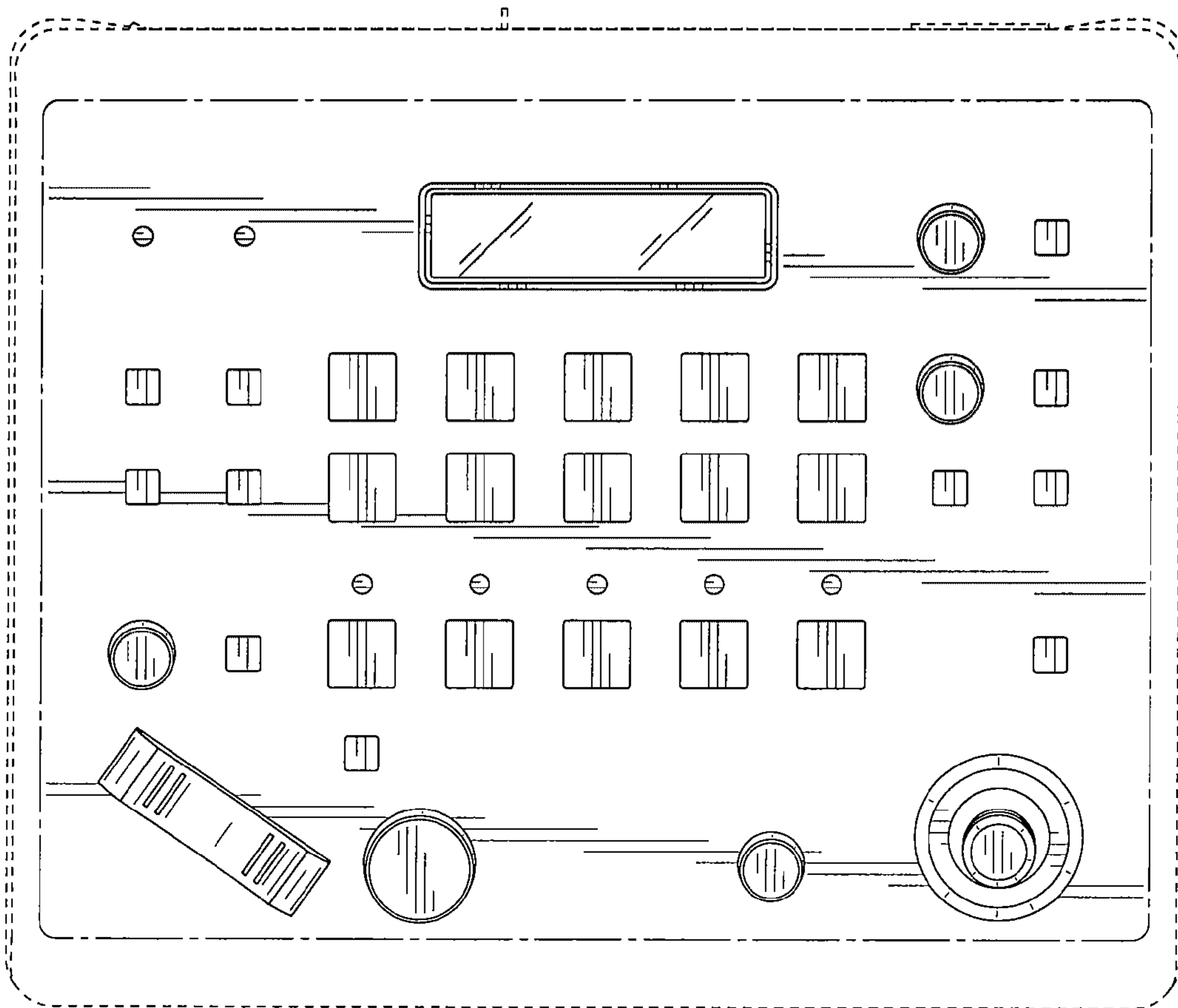


FIG.7

