



US00D648369S

(12) **United States Design Patent**
Jannard et al.

(10) **Patent No.:** **US D648,369 S**

(45) **Date of Patent:** **** Nov. 8, 2011**

(54) **CAMERA COMPONENT**

(75) Inventors: **James H. Jannard**, Las Vegas, NV (US); **Matthew Gene Tremblay**, Laguna Beach, CA (US); **Peter Jarred Land**, Lake Forest, CA (US)

(73) Assignee: **Red.com, Inc.**, Lake Forest, CA (US)

(**) Term: **14 Years**

(21) Appl. No.: **29/348,371**

(22) Filed: **Dec. 24, 2009**

(51) **LOC (9) Cl.** **16-05**

(52) **U.S. Cl.** **D16/237**

(58) **Field of Classification Search** D13/158,
D13/162, 164, 168, 177, 184; D16/200–205,
D16/219, 237, 242, 245; D10/46, 49, 62,
D10/106; D14/218, 413; 455/151.2, 151.3,
455/151.4

See application file for complete search history.

(56) **References Cited**

U.S. PATENT DOCUMENTS

D552,647 S * 10/2007 Bai D16/202
D554,625 S * 11/2007 Kato D14/218

D573,628 S * 7/2008 Sakamoto D16/237

* cited by examiner

Primary Examiner — Nanda Bondade

(74) *Attorney, Agent, or Firm* — Gregory K. Nelson

(57) **CLAIM**

The ornamental design for a camera component, as shown and described.

DESCRIPTION

FIG. 1 is a front perspective view of the camera component of the present invention;

FIG. 2 is a front elevational view thereof;

FIG. 3 is a rear elevational view thereof;

FIG. 4 is a right-side elevational view thereof;

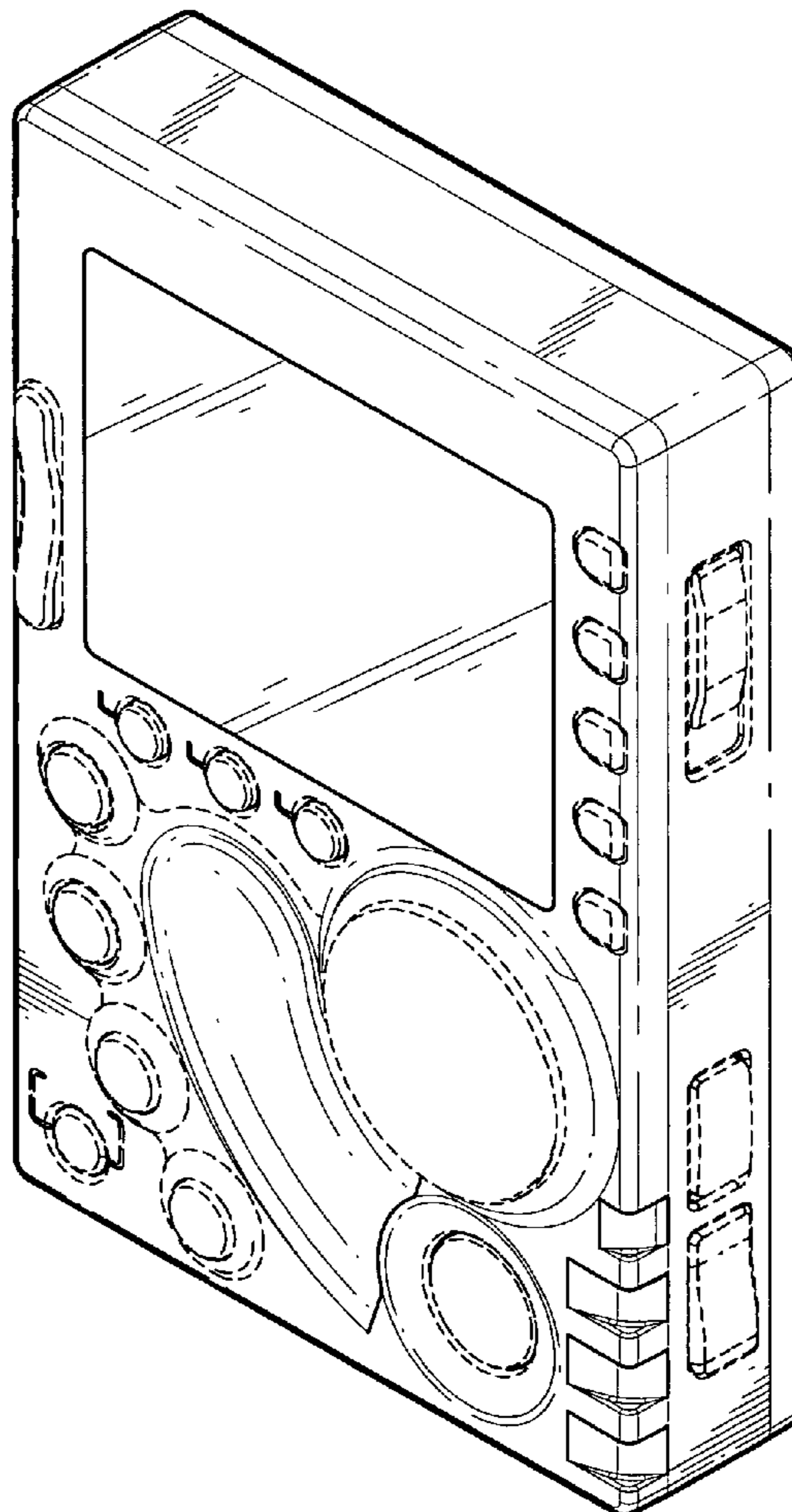
FIG. 5 is a left-side elevational view thereof;

FIG. 6 is a top plan view thereof; and,

FIG. 7 is a bottom plan view thereof.

The broken line showing on the drawing disclosure is for illustrative purposes only and forms no part of the claimed design.

1 Claim, 4 Drawing Sheets



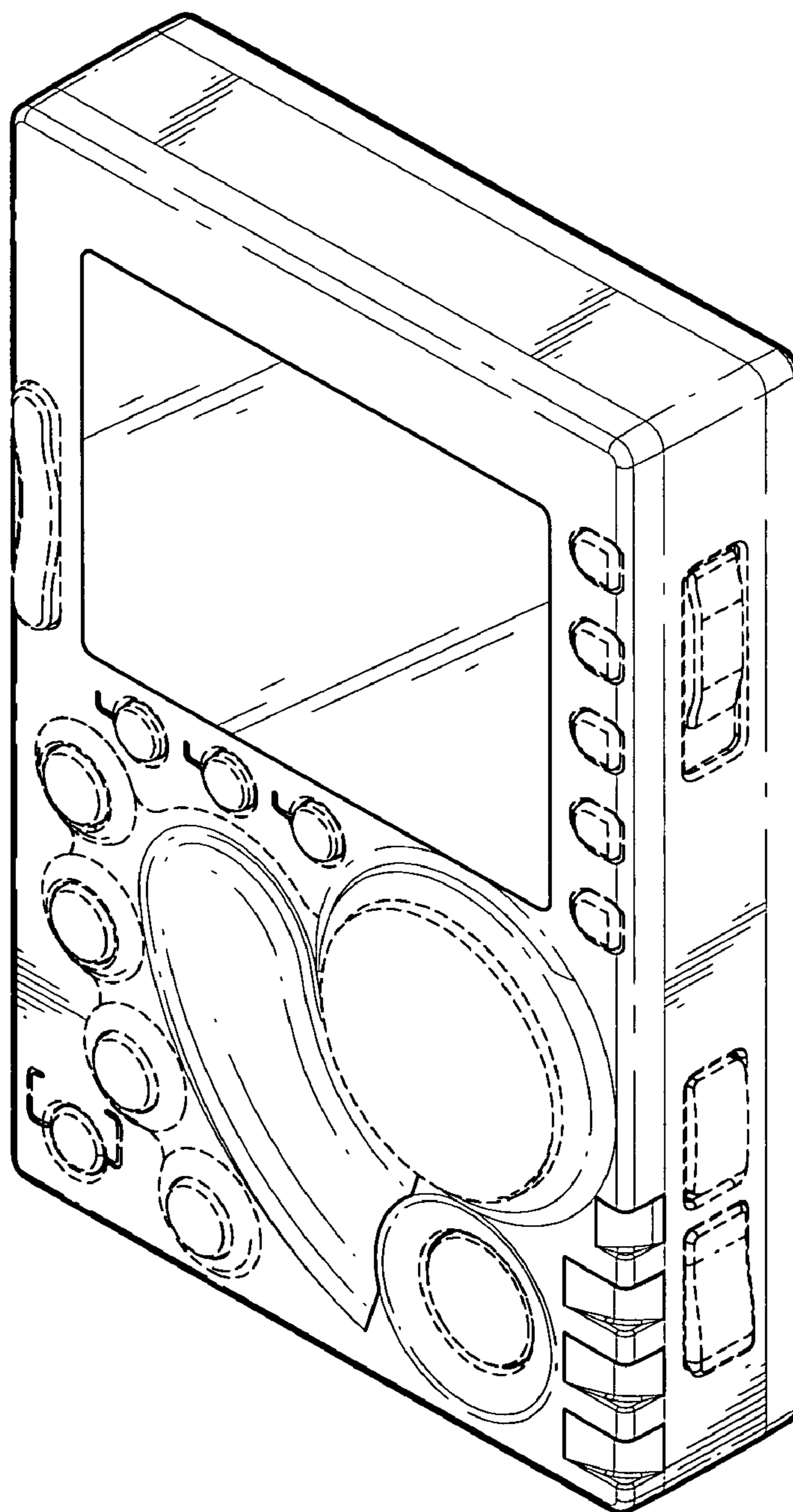


FIG. 1

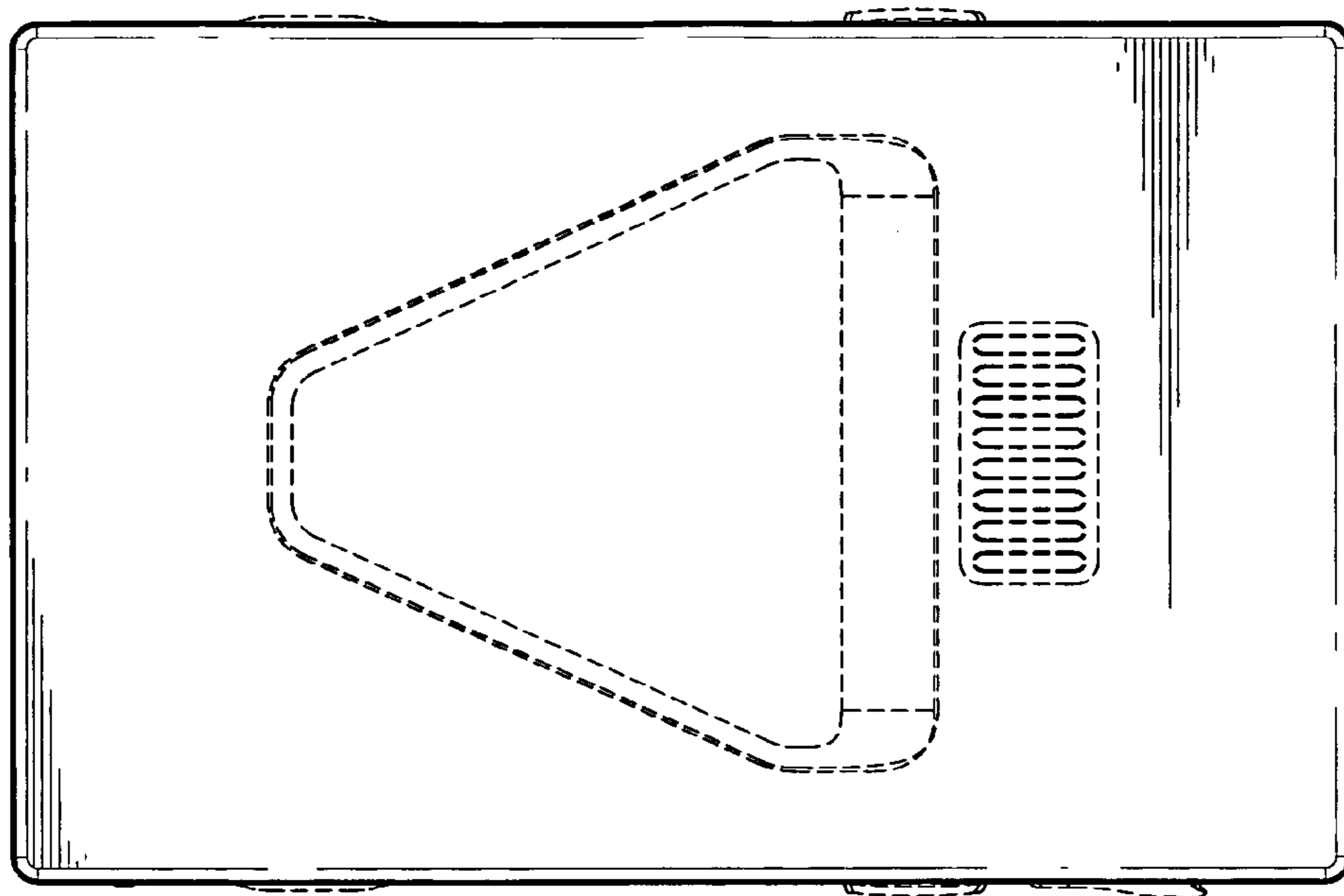


FIG. 2

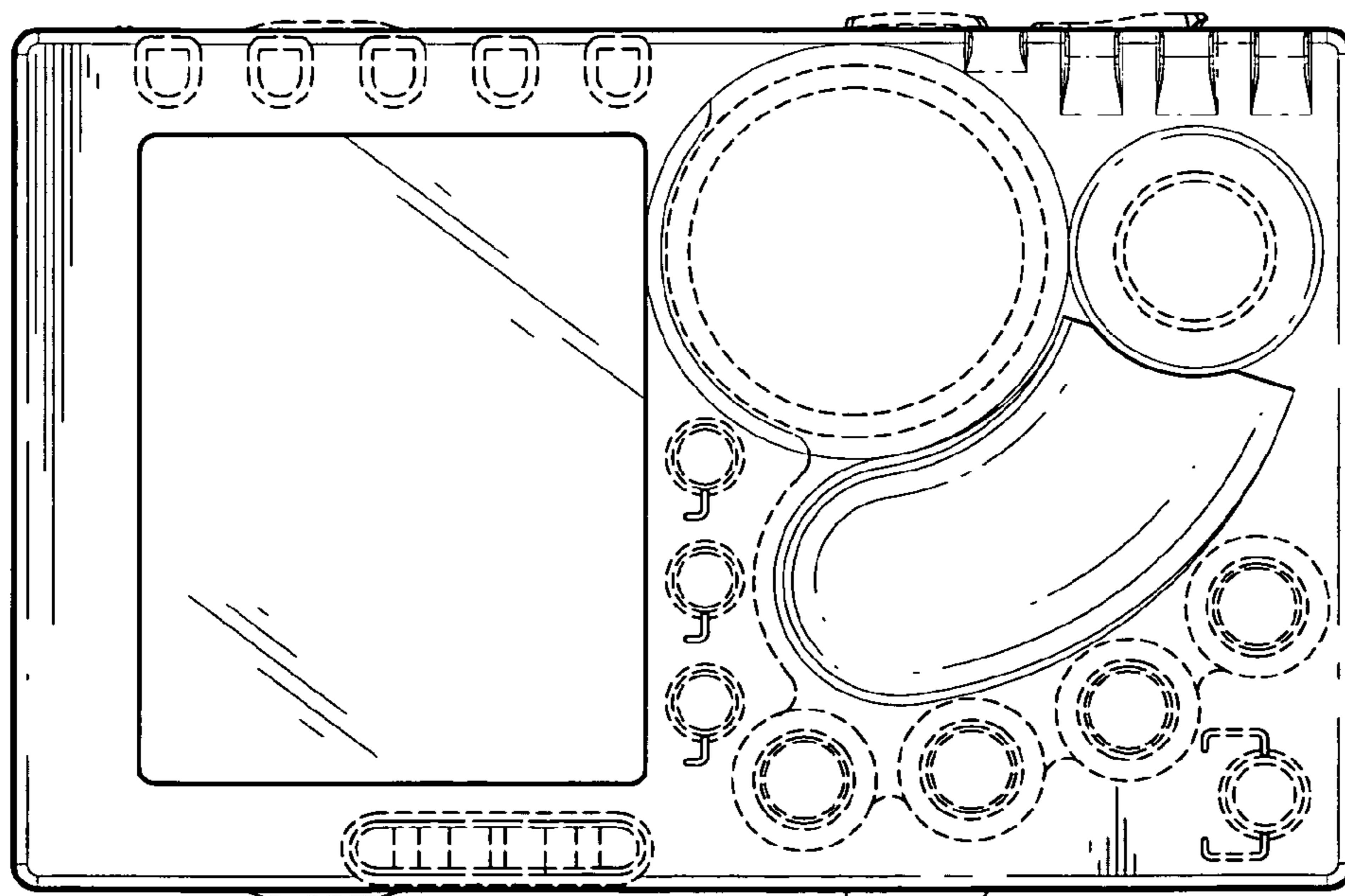


FIG. 3

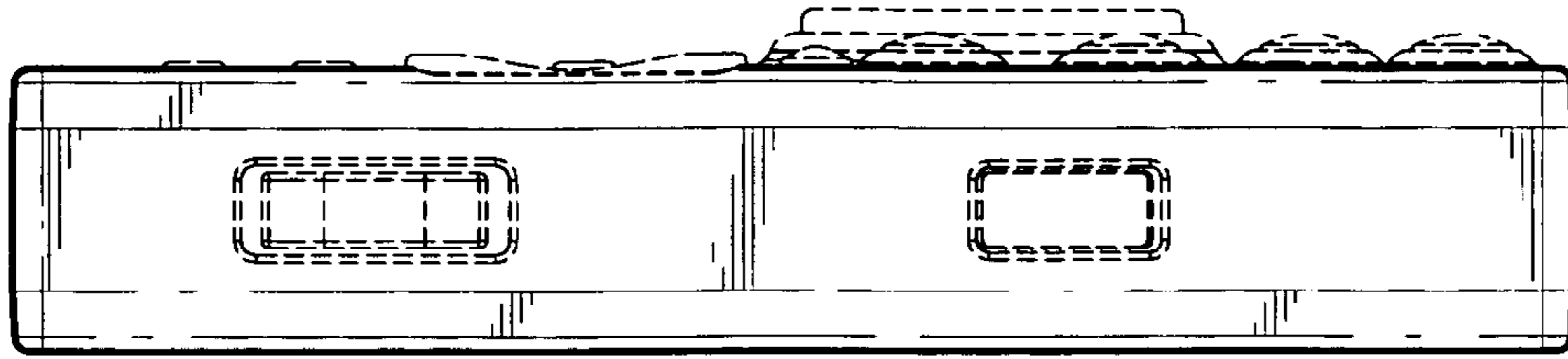


FIG. 5

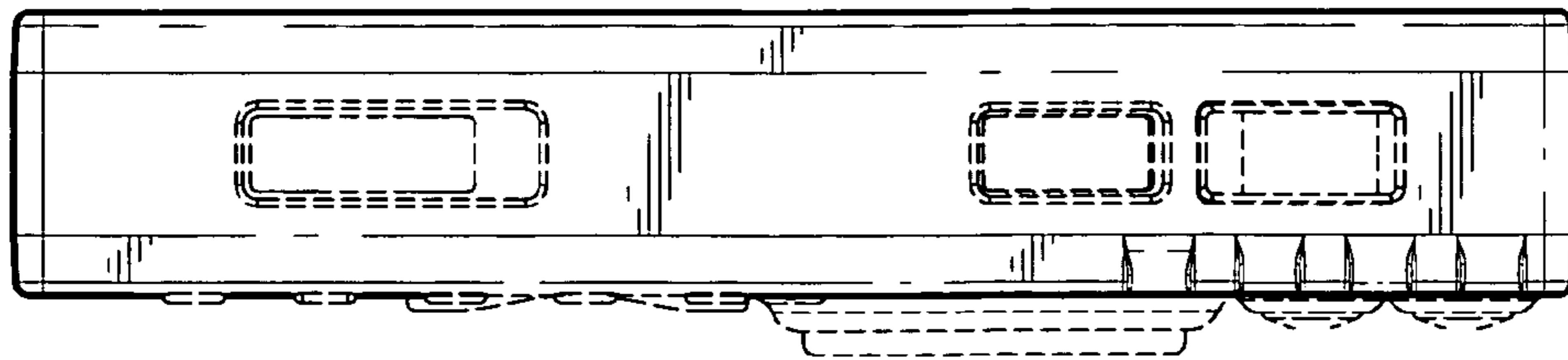


FIG. 4

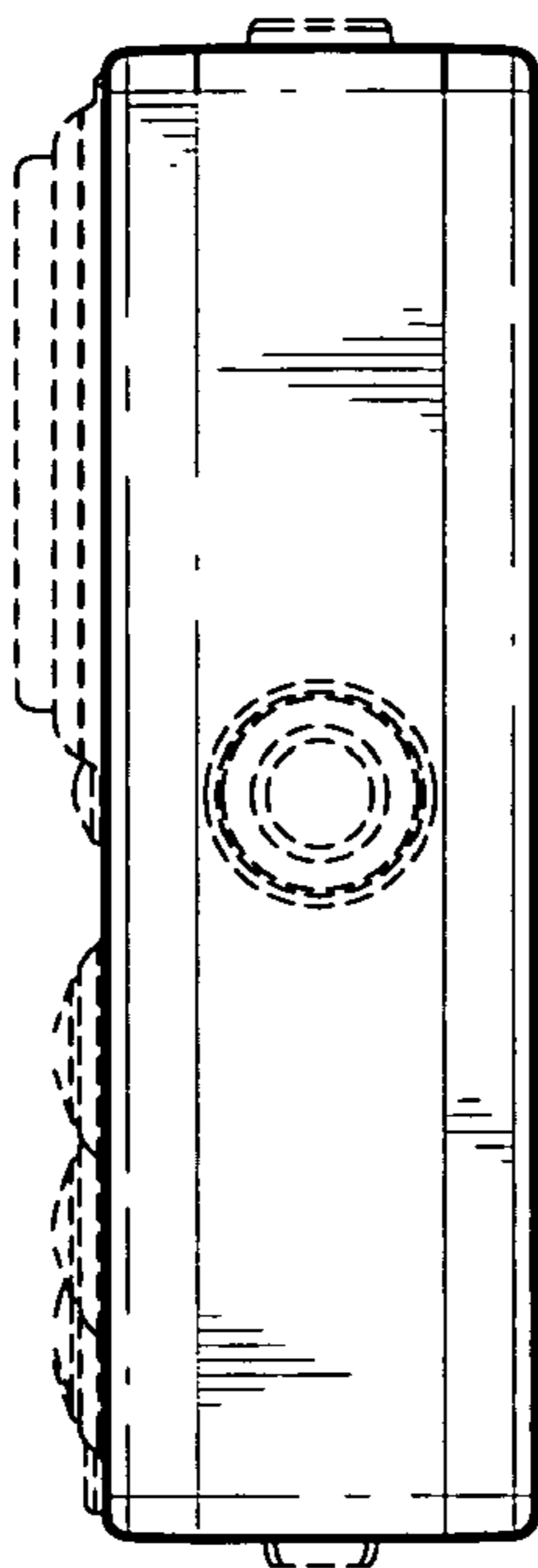


FIG. 7

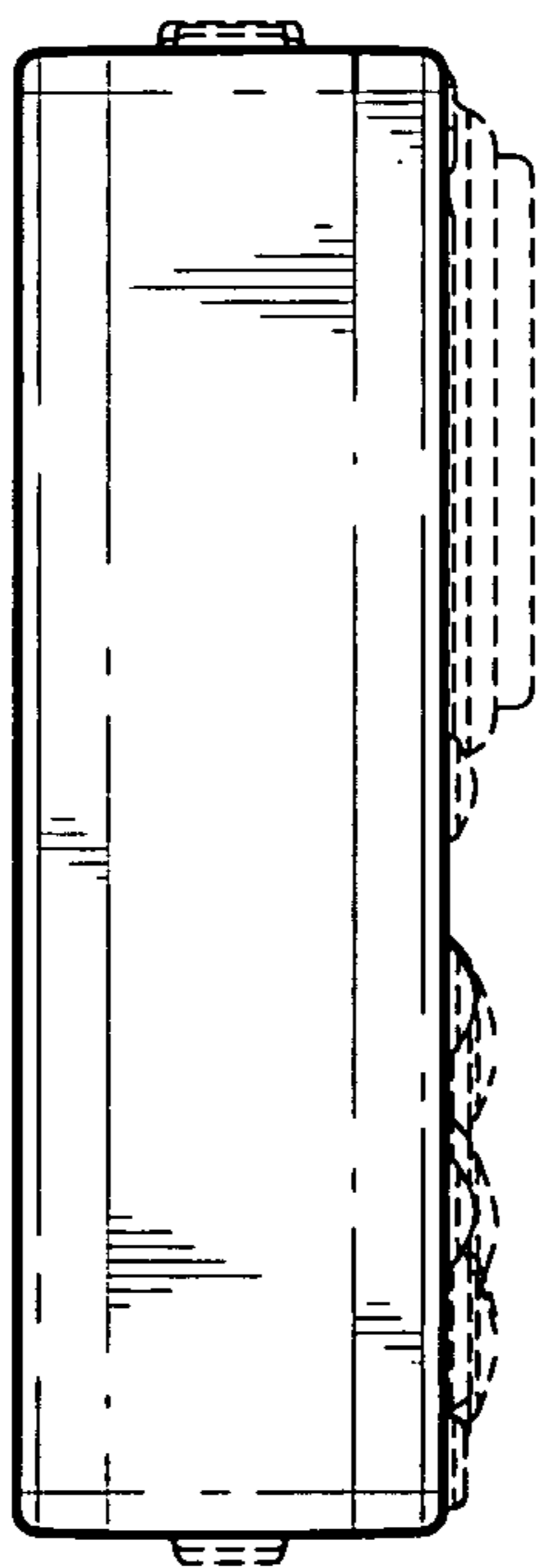


FIG. 6