



US00D648367S

(12) **United States Design Patent**  
**Ogawa et al.**

(10) **Patent No.:** **US D648,367 S**

(45) **Date of Patent:** **\*\* Nov. 8, 2011**

(54) **PROJECTOR**

(75) Inventors: **Susumu Ogawa**, Tokyo (JP); **Yukihiko Oota**, Tokyo (JP); **Junsi Lee**, Tokyo (JP); **Yuichiro Nara**, Tokyo (JP); **Mariko Ouchi**, Tokyo (JP)

(73) Assignee: **NEC Display Solutions, Ltd.**, Tokyo (JP)

(\*\*) Term: **14 Years**

(21) Appl. No.: **29/379,906**

(22) Filed: **Nov. 26, 2010**

(30) **Foreign Application Priority Data**

May 28, 2010 (JP) ..... 2010-013279

(51) **LOC (9) Cl.** ..... **16-02**

(52) **U.S. Cl.** ..... **D16/230; D16/225**

(58) **Field of Classification Search** ..... D16/205, D16/208, 221, 225, 230–231, 234–235; D21/514; 353/115, 119, 122, 88, 101; 396/448  
See application file for complete search history.

(56) **References Cited**

**U.S. PATENT DOCUMENTS**

D474,799 S *	5/2003	Kawasaki et al.	.....	D16/230
D497,929 S *	11/2004	Ohki et al.	.....	D16/230
D531,654 S *	11/2006	Lin et al.	.....	D16/230
D548,264 S *	8/2007	Sakamaki et al.	.....	D16/230
D551,691 S *	9/2007	Sakamaki et al.	.....	D16/230
D564,566 S *	3/2008	Naruki	.....	D16/230
D591,784 S *	5/2009	Inoue et al.	.....	D16/230

D597,120 S *	7/2009	Oota	.....	D16/235
D606,110 S *	12/2009	Inoue et al.	.....	D16/230
D608,814 S *	1/2010	Nagase	.....	D16/230
7,677,739 B2 *	3/2010	Kuroda	.....	353/88
D615,575 S *	5/2010	Inoue et al.	.....	D16/230

**OTHER PUBLICATIONS**

U.S. Appl. No. 29/379,903 Susumu Ogawa et al., Filed Nov. 26, 2010.

U.S. Appl. No. 29/379,859 Susumu Ogawa et al., Filed Nov. 26, 2010.

\* cited by examiner

*Primary Examiner* — Wan Laymon

(74) *Attorney, Agent, or Firm* — Sughrue Mion, PLLC

(57) **CLAIM**

The ornamental design for a projector, as shown and described.

**DESCRIPTION**

FIG. 1 is a front, right side, top perspective view of a projector showing our new design;

FIG. 2 is a front elevational view thereof;

FIG. 3 is a rear elevational view thereof;

FIG. 4 is a left side view thereof;

FIG. 5 is a right side view thereof;

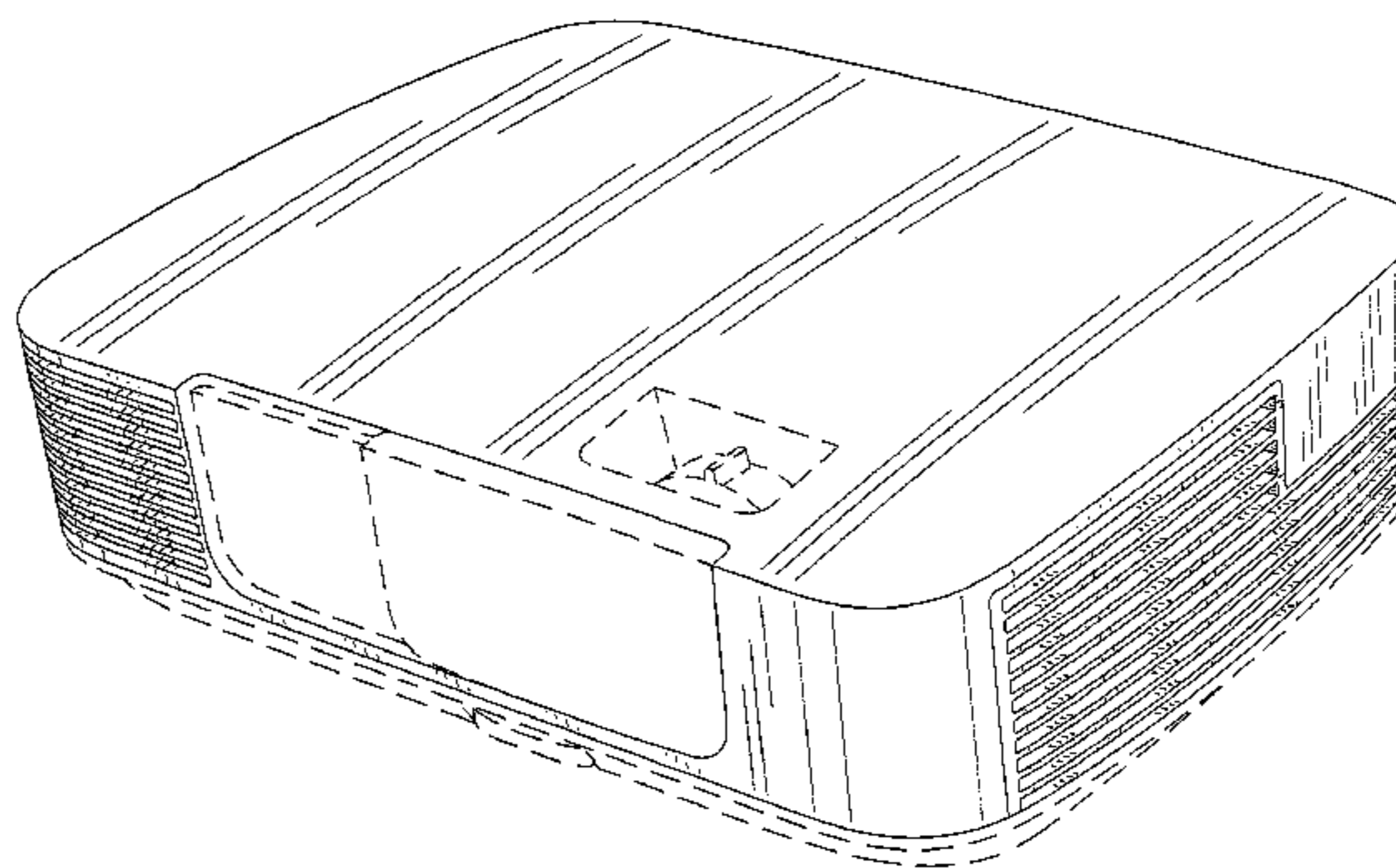
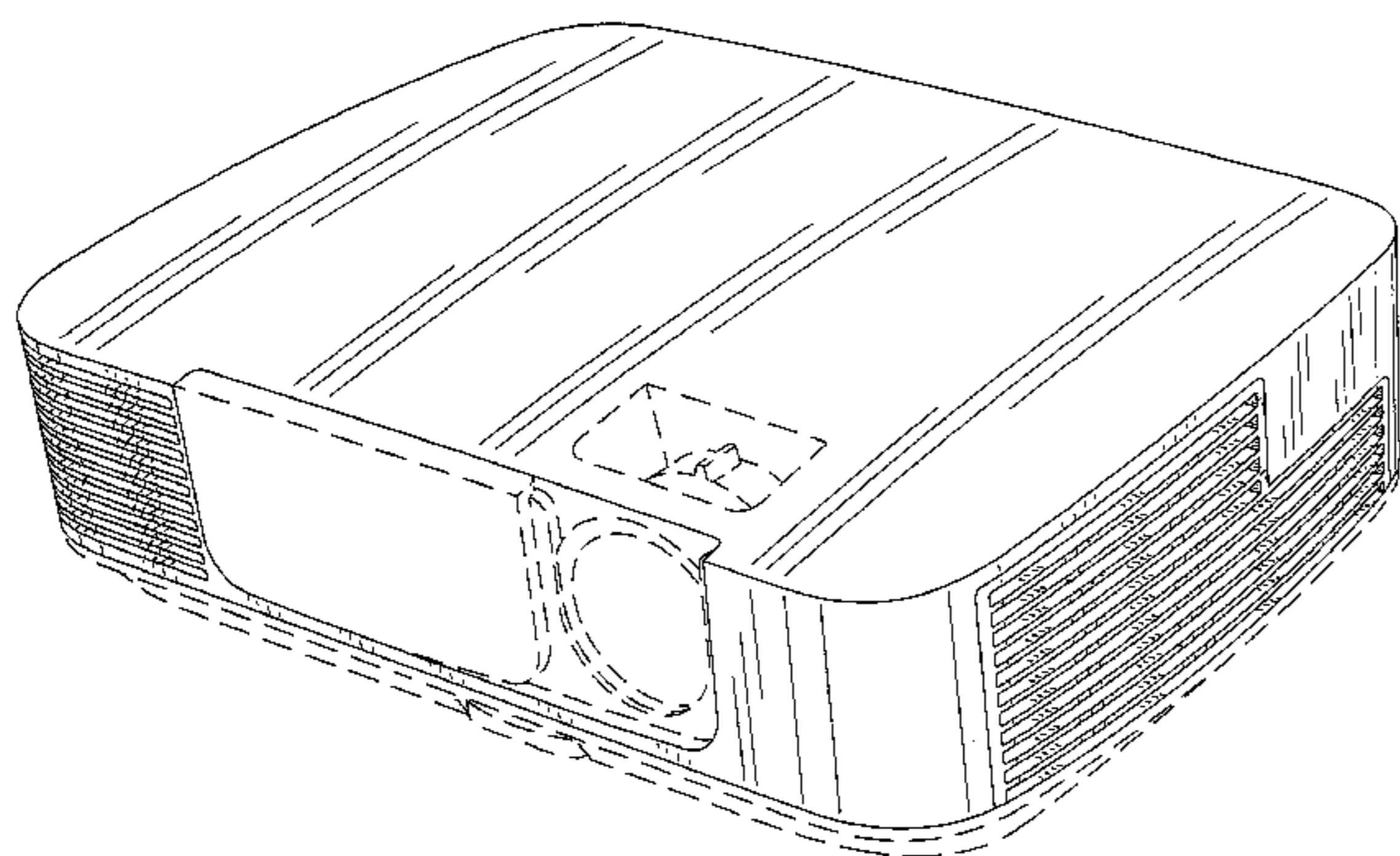
FIG. 6 is a top plan view thereof;

FIG. 7 is a bottom plan view thereof; and,

FIG. 8 is a perspective view thereof, showing a state in which a lens cover is closed.

The portions of the projector shown in broken lines form no part of the claimed design.

**1 Claim, 8 Drawing Sheets**



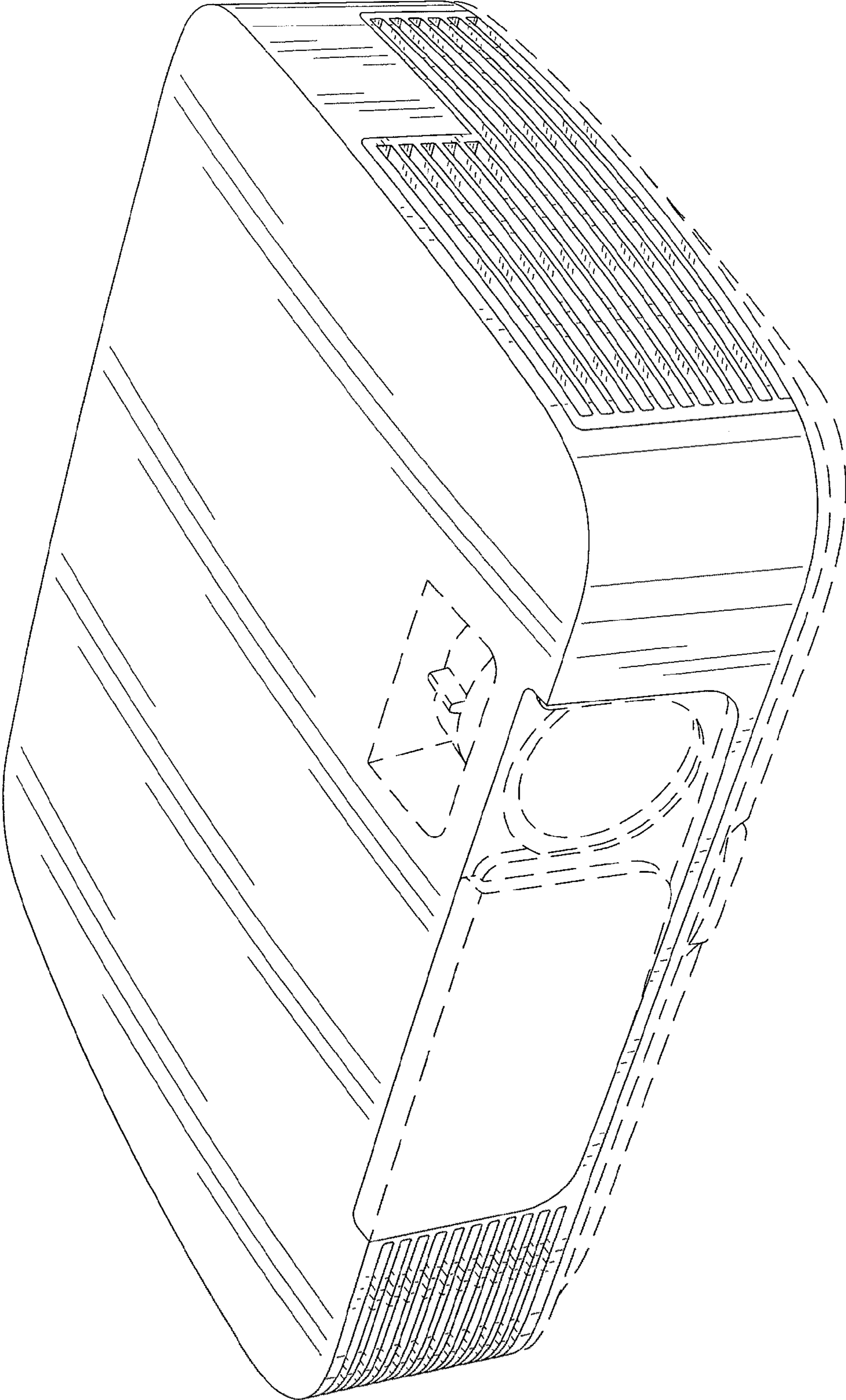


FIG. 1

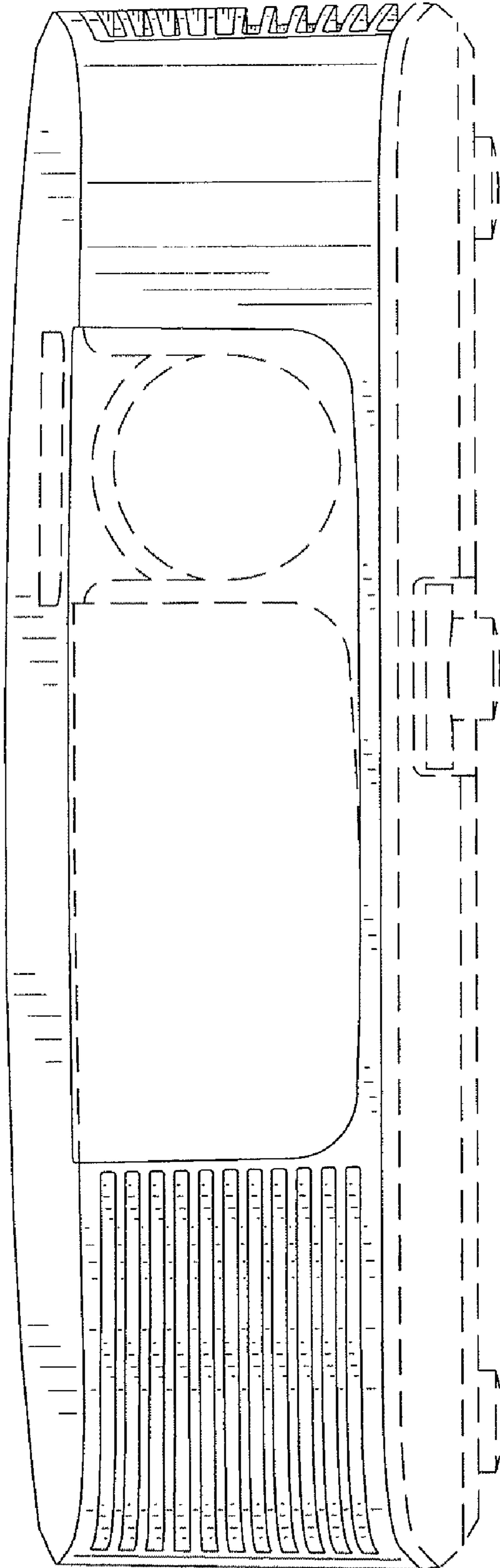


FIG. 2

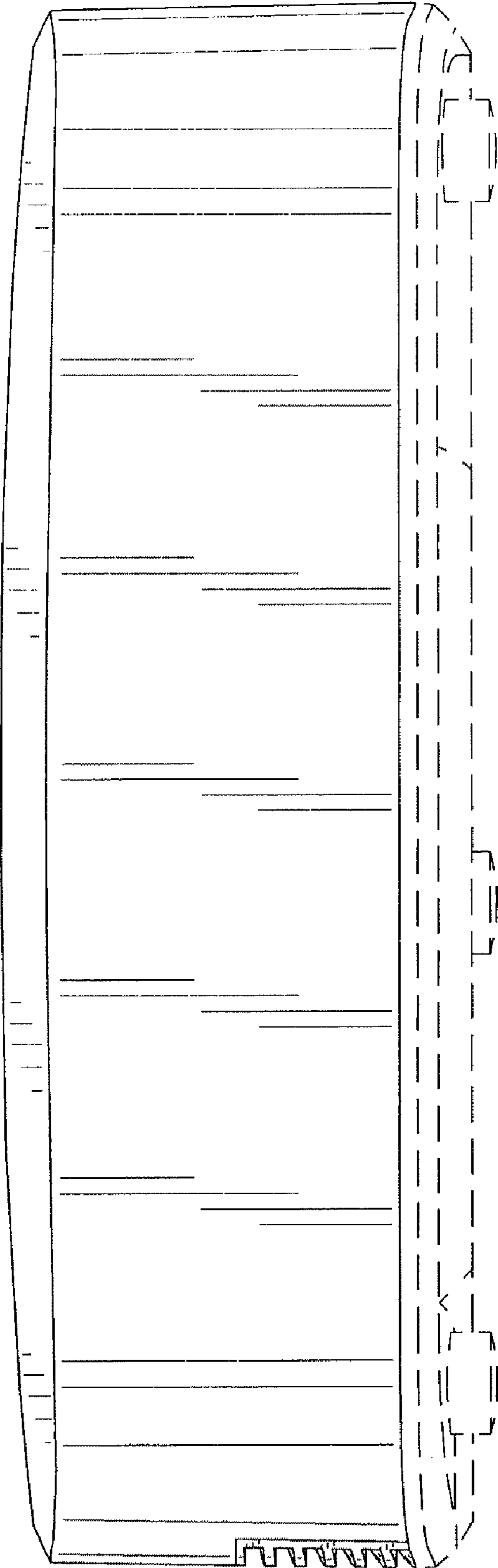


FIG. 3



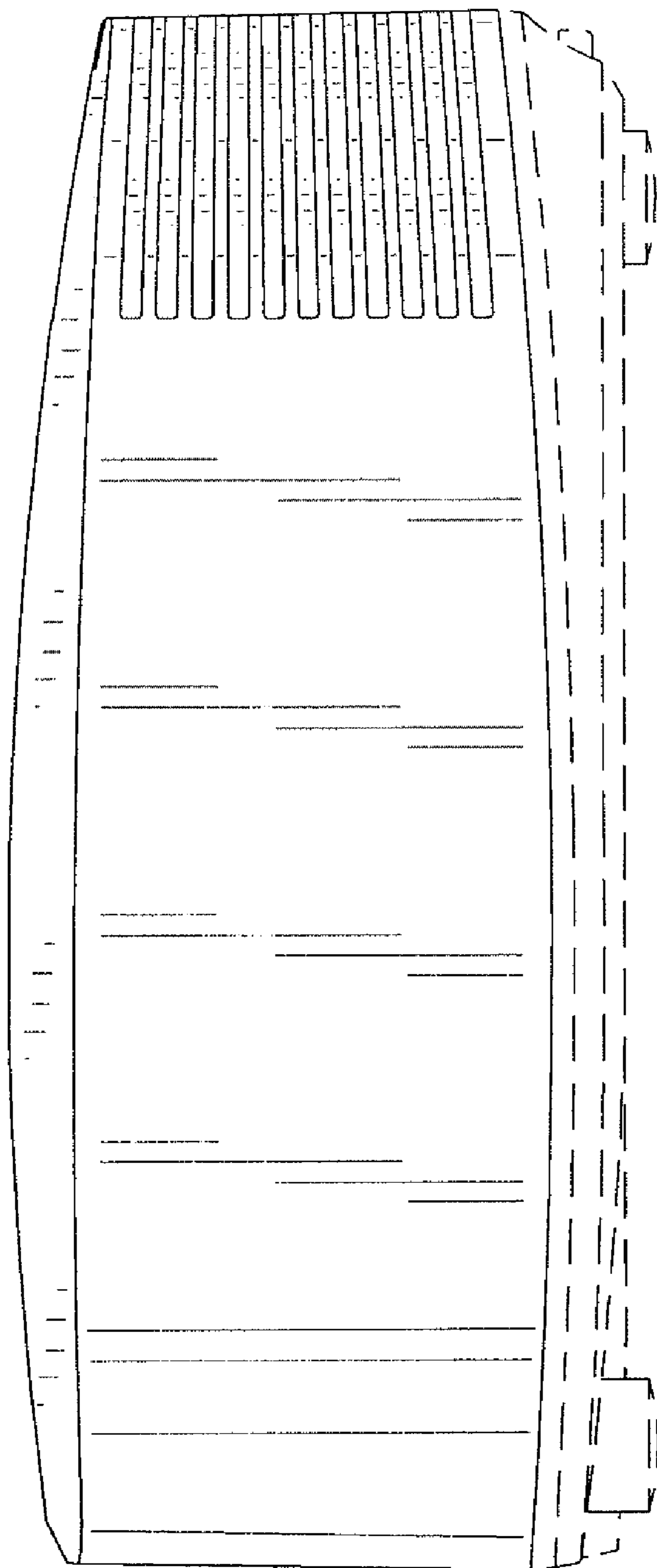


FIG. 4

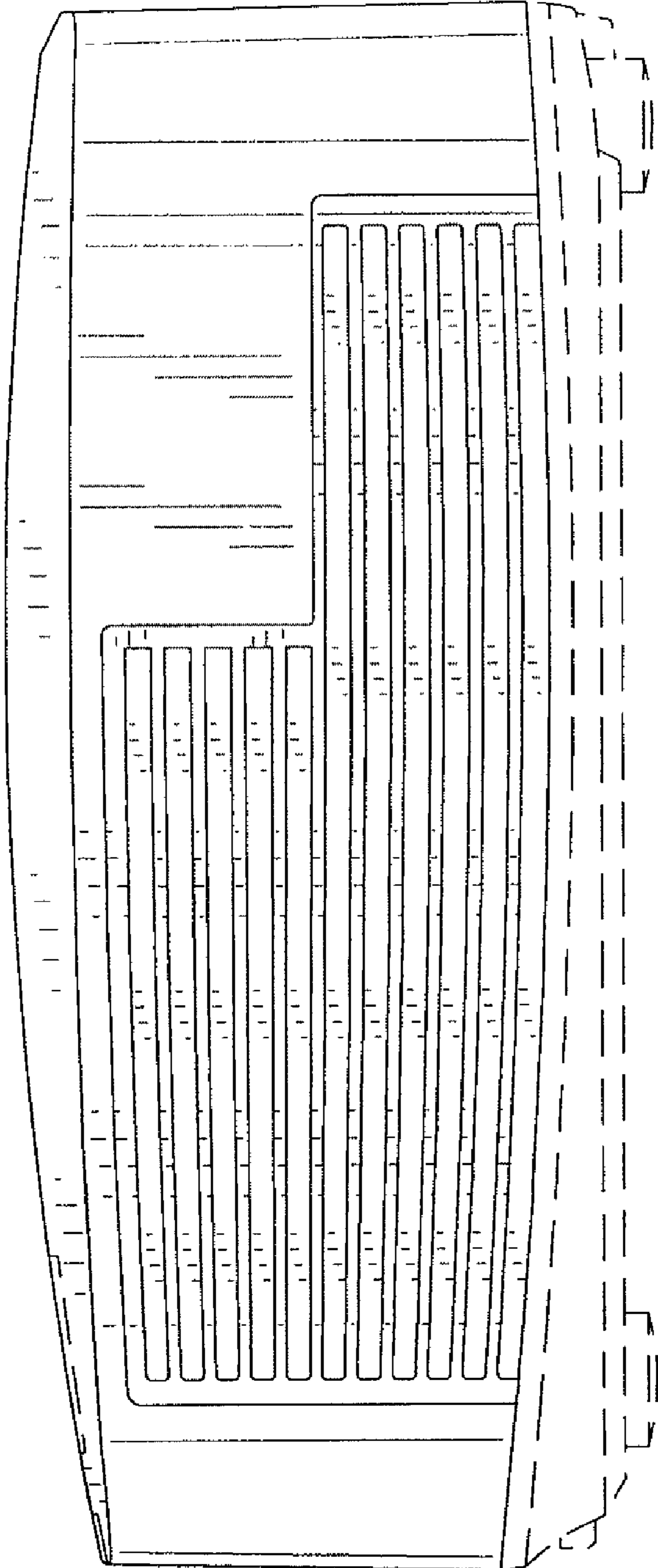


FIG. 5

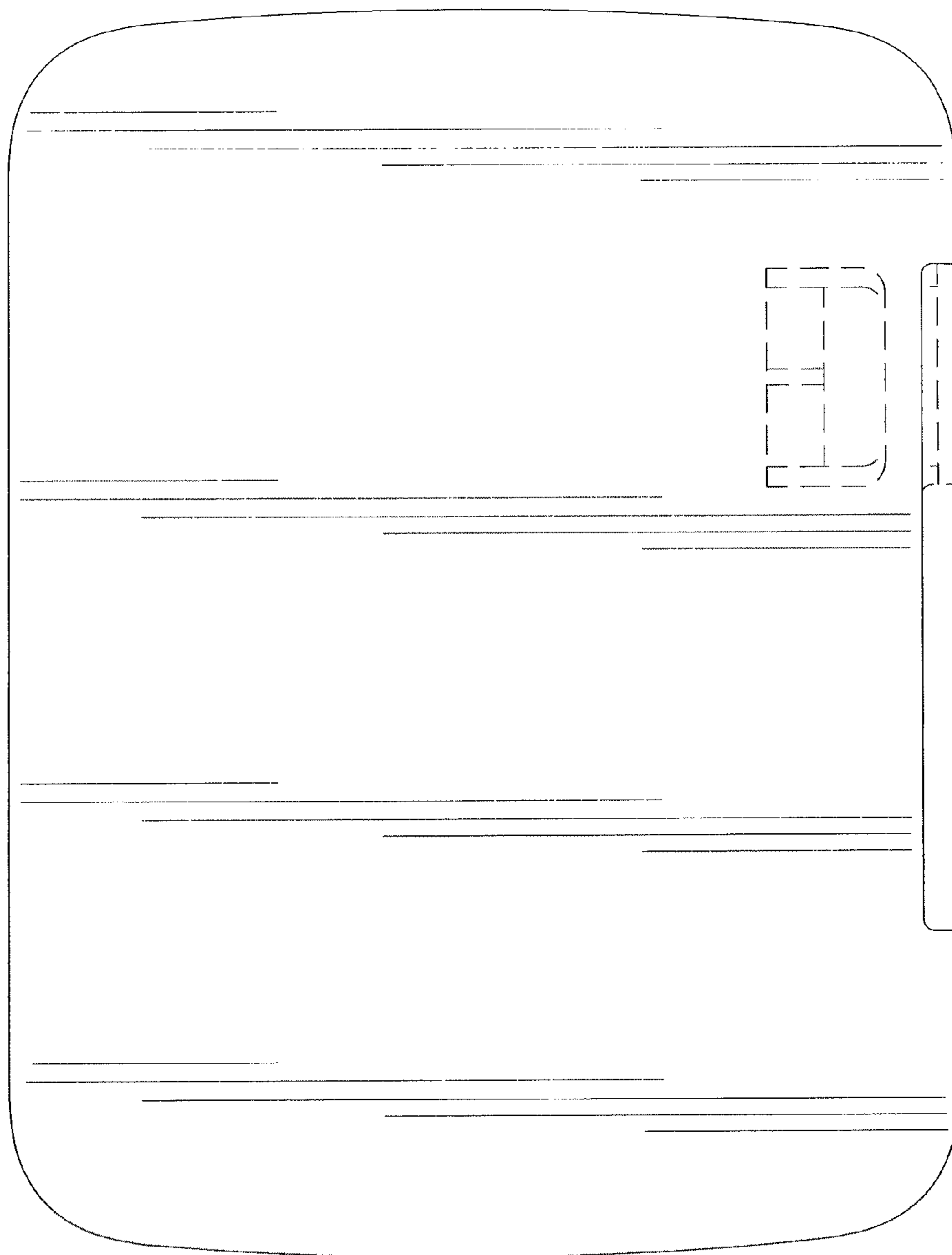


FIG. 6

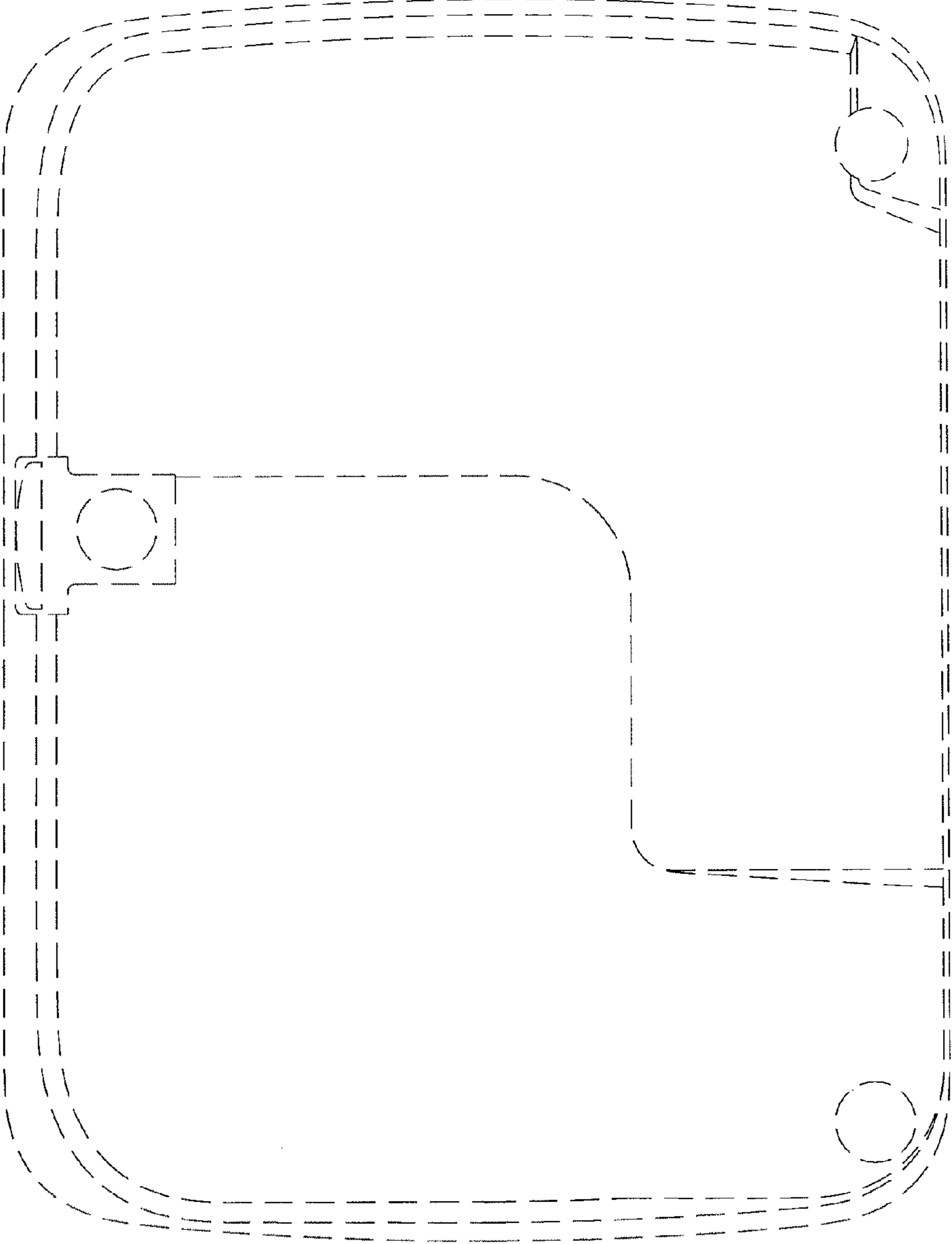


FIG. 7



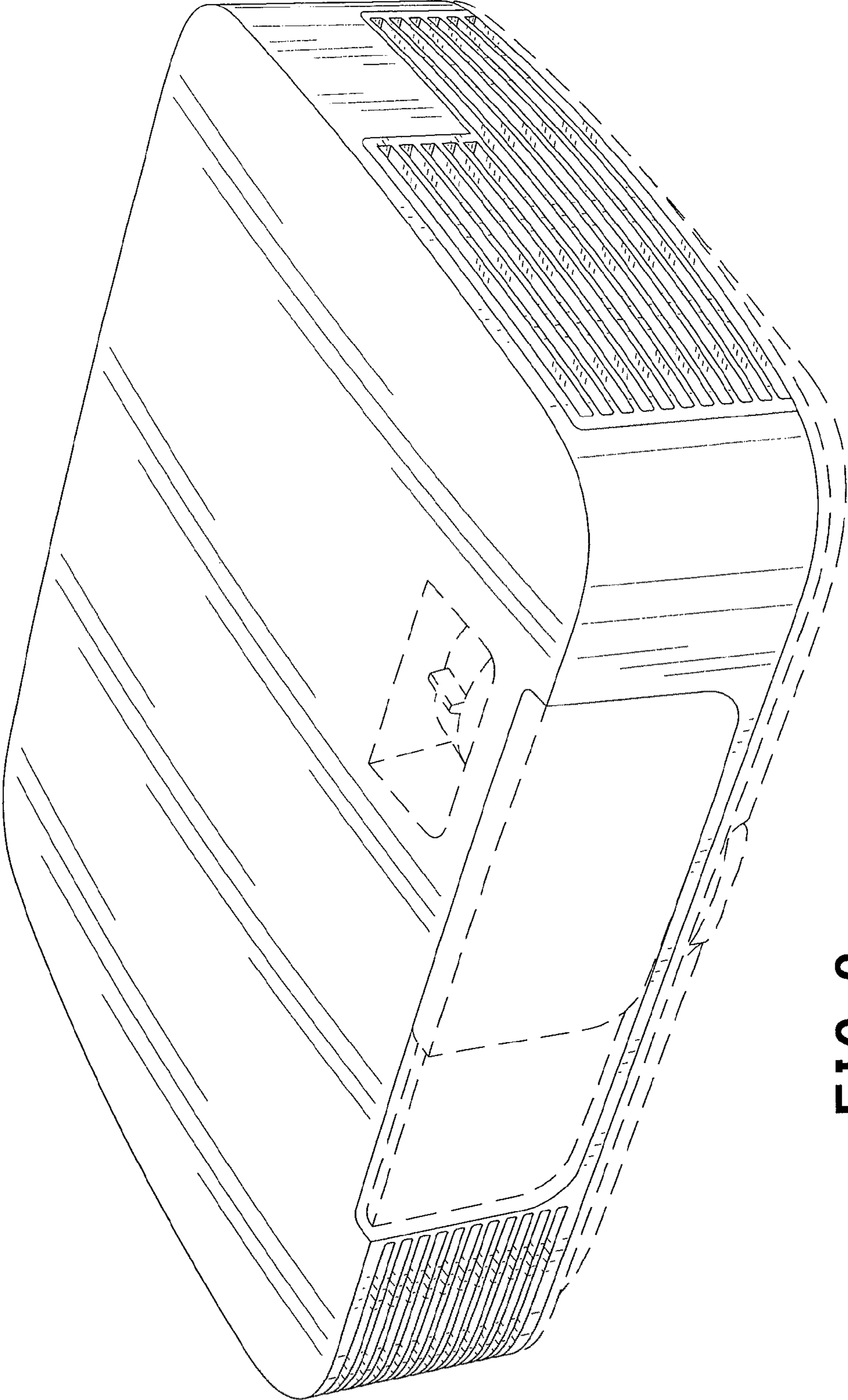


FIG. 8