



US00D648366S

(12) **United States Design Patent**
Yuyama

(10) **Patent No.:** **US D648,366 S**
(45) **Date of Patent:** **** Nov. 8, 2011**

(54) **PROJECTOR**

(75) Inventor: **Keiji Yuyama**, Osaka (JP)

(73) Assignee: **Sanyo Electric Co., Ltd.**, Osaka (JP)

(**) Term: **14 Years**

(21) Appl. No.: **29/378,536**

(22) Filed: **Nov. 5, 2010**

(30) **Foreign Application Priority Data**

May 27, 2010 (JP) 2010-012998

(51) **LOC (9) Cl.** **16-02**

(52) **U.S. Cl.** **D16/230; D16/225**

(58) **Field of Classification Search** D16/205,
D16/208, 221, 225, 230, 231, 234; D21/514;
353/115, 119, 122

See application file for complete search history.

(56) **References Cited**

U.S. PATENT DOCUMENTS

| | | | | | |
|-----------|------|---------|-----------------|-------|---------|
| D371,148 | S * | 6/1996 | Kobayashi | | D16/221 |
| 5,868,485 | A * | 2/1999 | Fujimori et al. | | 353/119 |
| D434,430 | S * | 11/2000 | Saeki et al. | | D16/231 |
| D436,979 | S * | 1/2001 | Yokoyama et al. | | D16/231 |
| D438,555 | S * | 3/2001 | Shiota | | D16/231 |
| D449,061 | S * | 10/2001 | Lim | | D16/231 |
| 6,698,899 | B2 * | 3/2004 | Yamada et al. | | 353/119 |
| D510,098 | S * | 9/2005 | Ishikawa et al. | | D16/231 |

FOREIGN PATENT DOCUMENTS

| | | | |
|----|----------|---|---------|
| JP | D948975 | S | 3/1996 |
| JP | D1011459 | S | 5/1998 |
| JP | D1255779 | S | 11/2005 |

| | | | |
|----|----------|---|---------|
| JP | D1313712 | S | 10/2007 |
| JP | D1313713 | S | 10/2007 |
| JP | D1313971 | S | 10/2007 |
| JP | D1322289 | S | 2/2008 |
| JP | D1323026 | S | 2/2008 |
| JP | D1323227 | S | 3/2008 |
| JP | D1323228 | S | 3/2008 |
| JP | D1323229 | S | 3/2008 |
| JP | D1325689 | S | 3/2008 |
| JP | D1371149 | S | 10/2009 |
| JP | D1371150 | S | 10/2009 |
| JP | D1371151 | S | 10/2009 |

* cited by examiner

Primary Examiner — Wan Laymon

(74) *Attorney, Agent, or Firm* — McDermott Will & Emery LLP

(57) **CLAIM**

The ornamental design for a projector, substantially as shown and described.

DESCRIPTION

FIG. 1 is a front, top, and right-side perspective view of a projector showing my new design;
FIG. 2 is a rear, top, left-side perspective view thereof;
FIG. 3 is a front elevation view thereof;
FIG. 4 is a rear elevation view thereof;
FIG. 5 is an enlarged top plan view thereof;
FIG. 6 is an enlarged bottom plan view thereof;
FIG. 7 is a left-side elevation view thereof; and,
FIG. 8 is a right-side elevation view thereof.

1 Claim, 6 Drawing Sheets

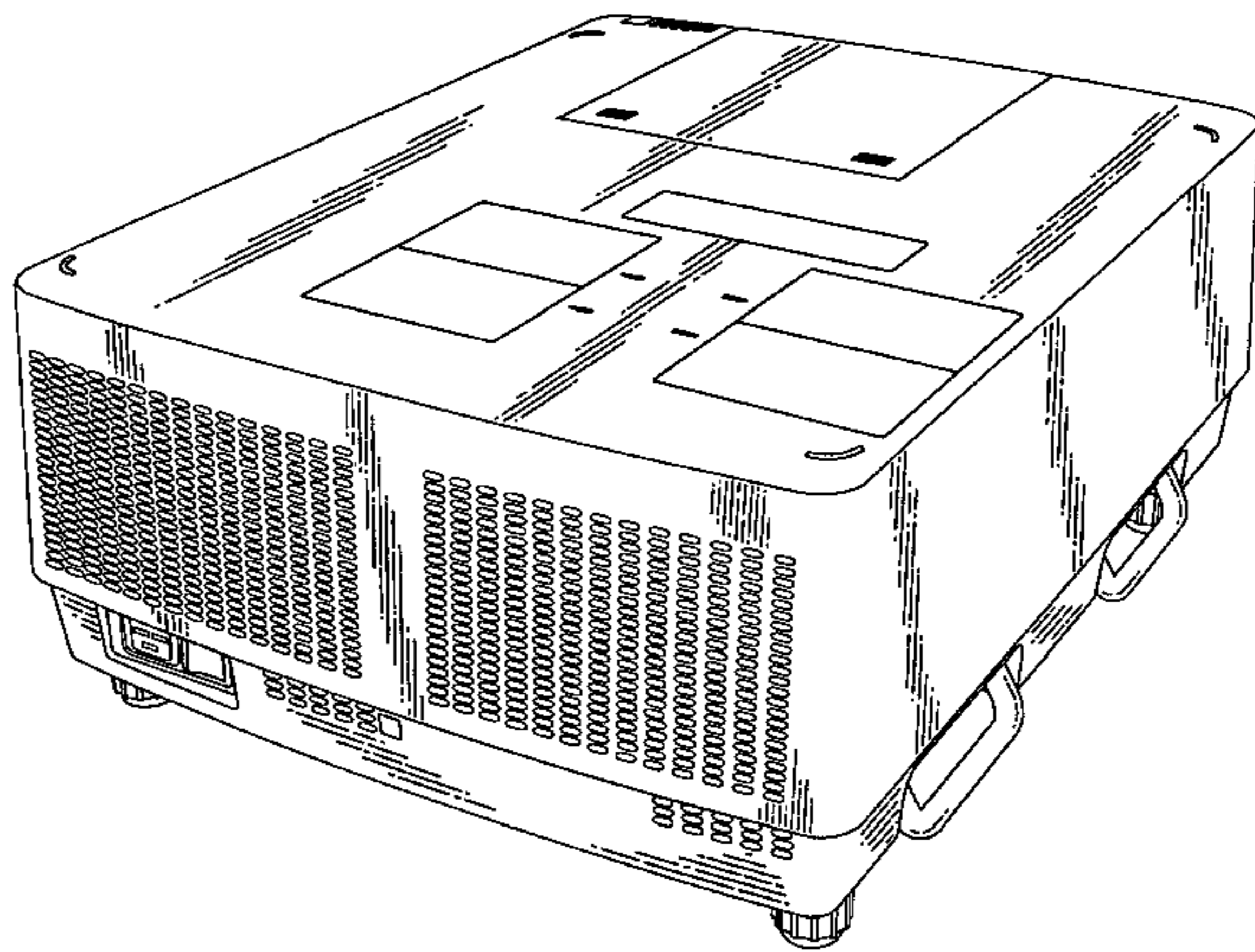
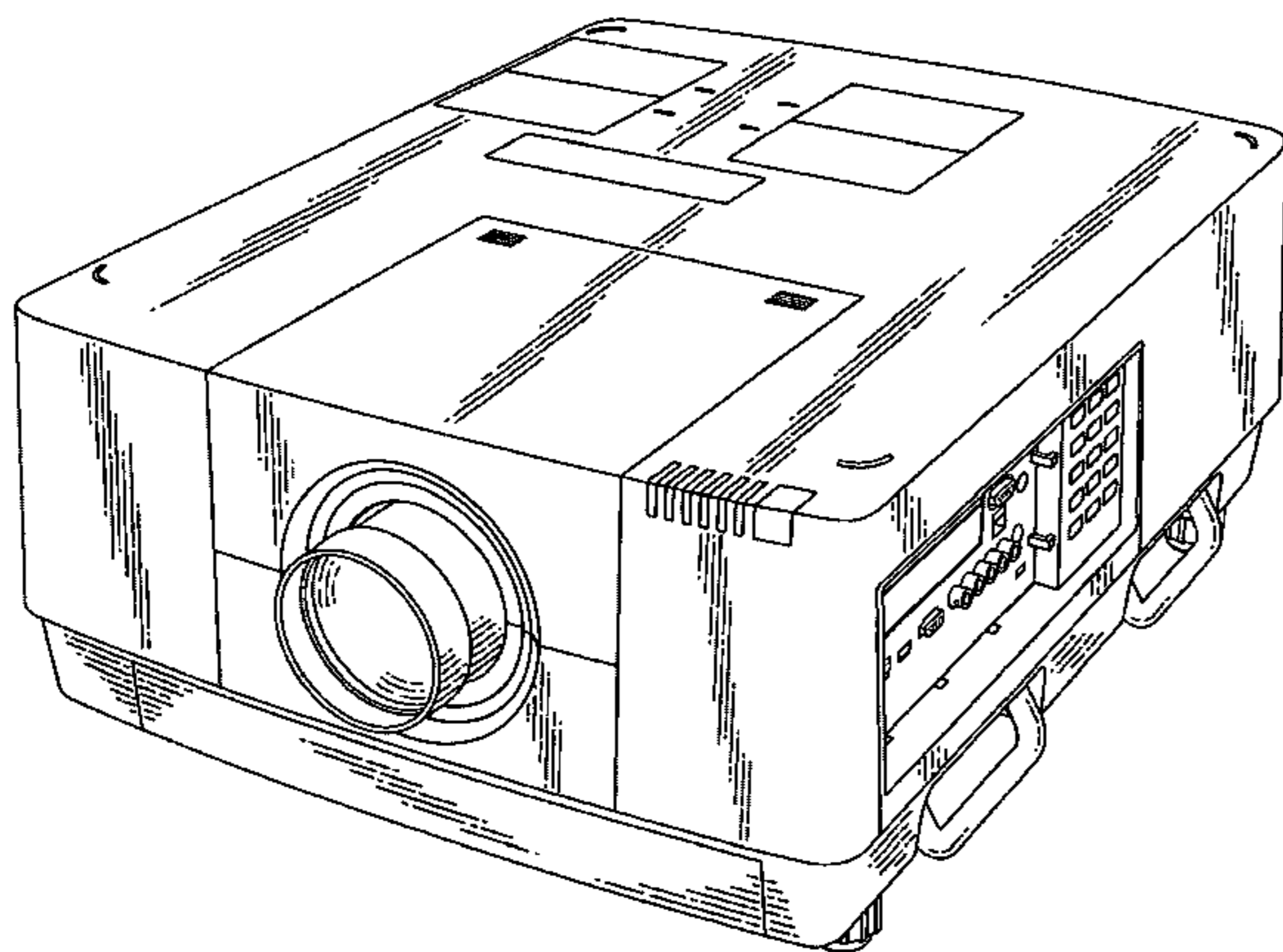


FIG. 1

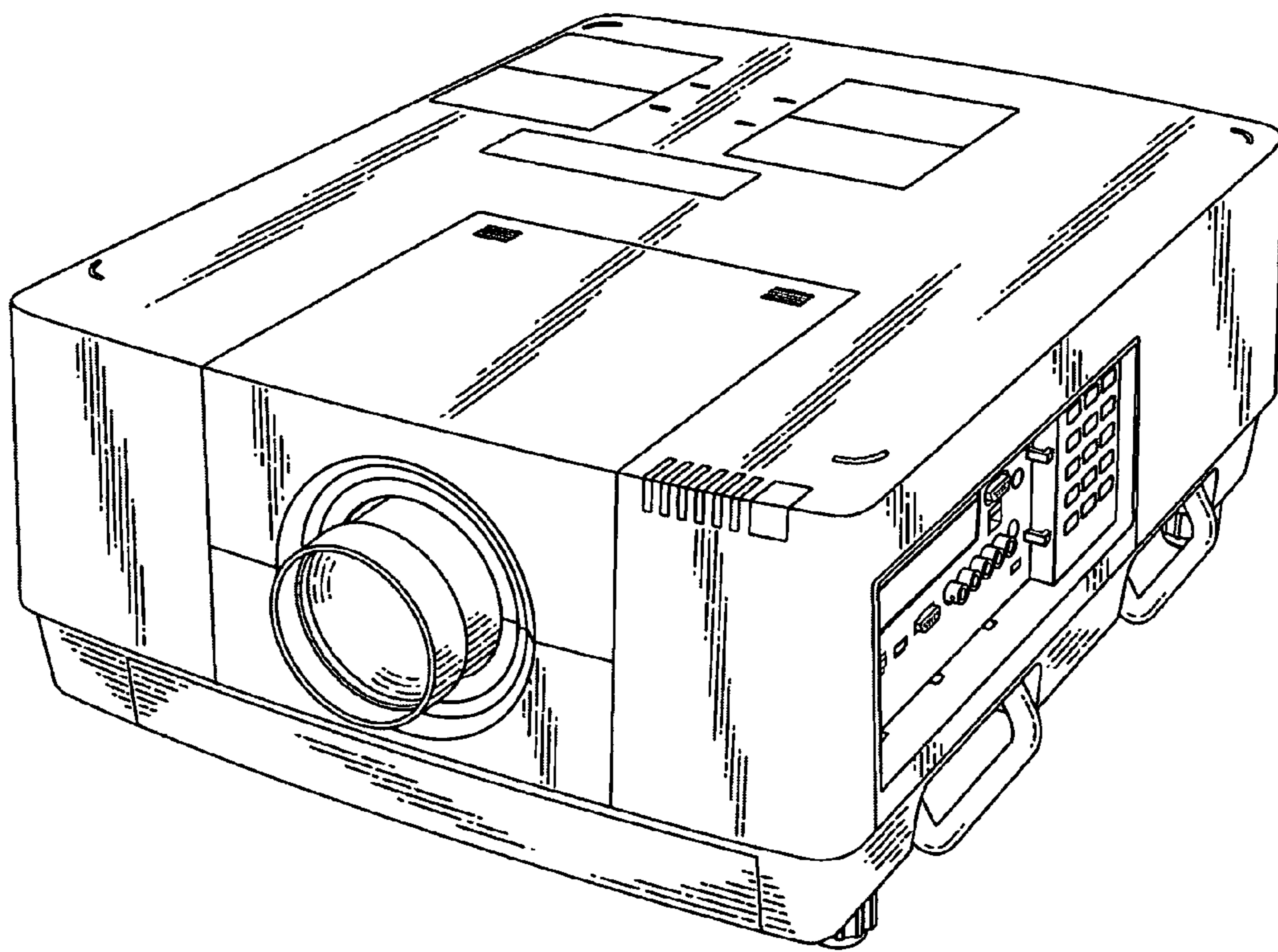


FIG.2

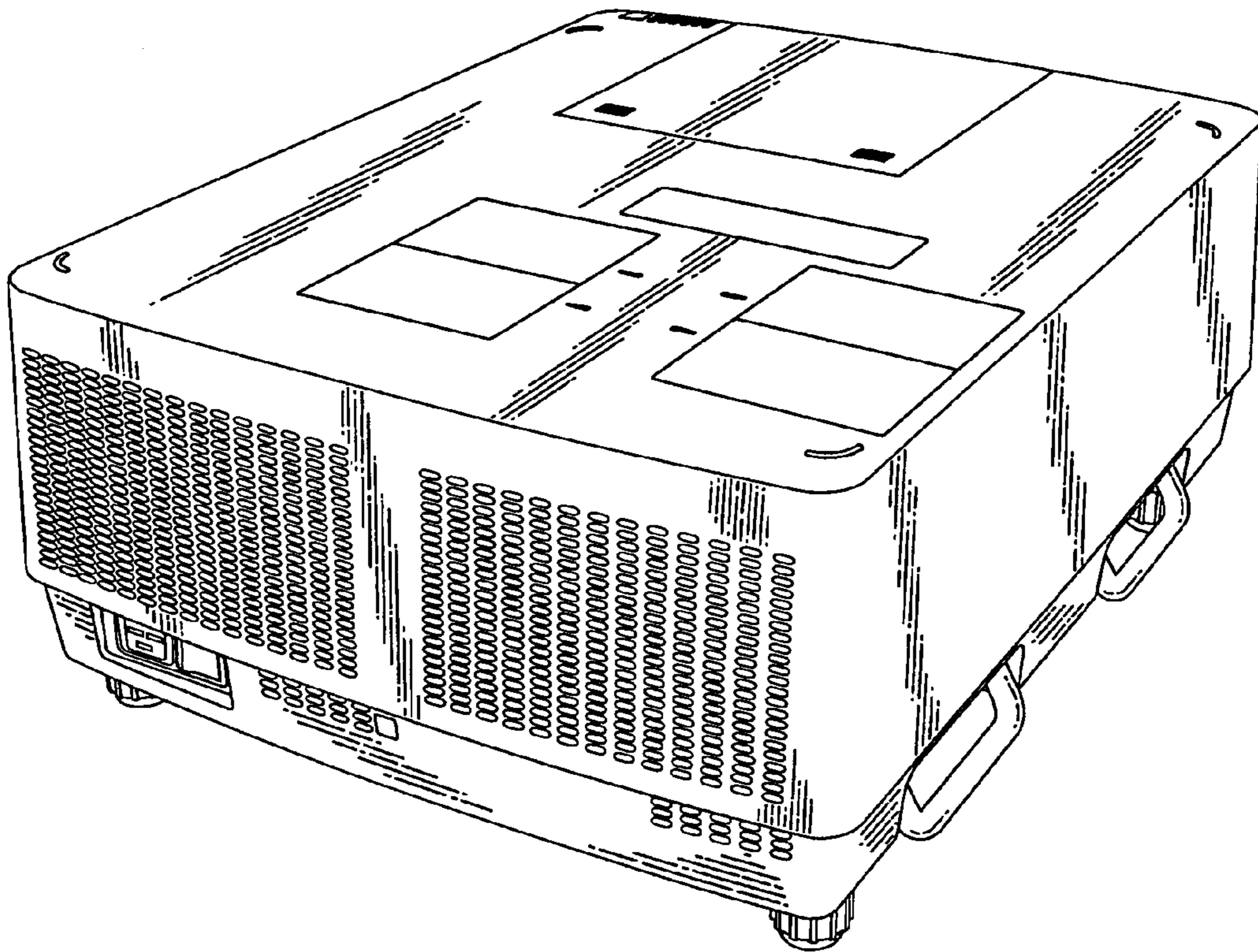


FIG.3

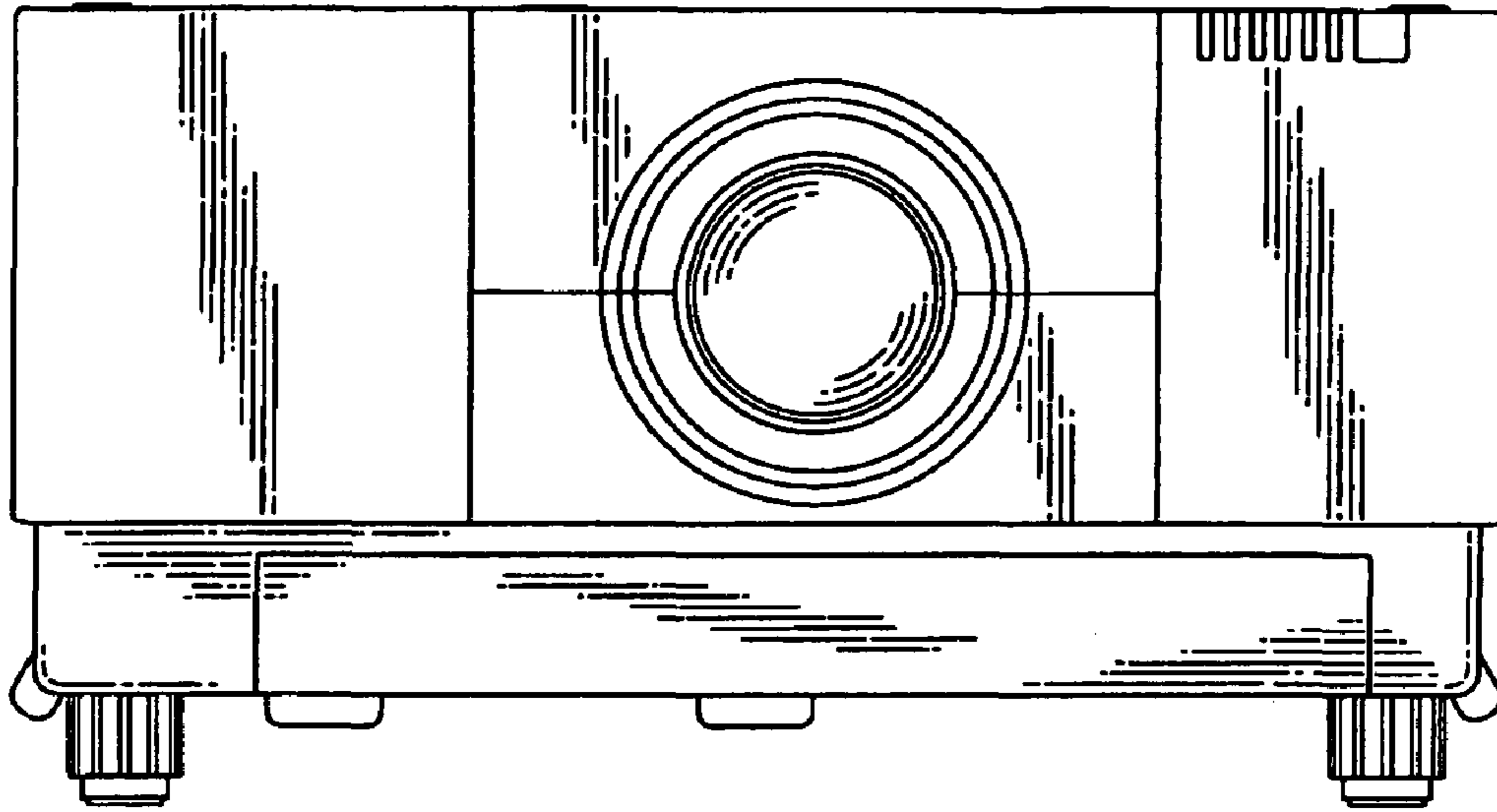


FIG.4

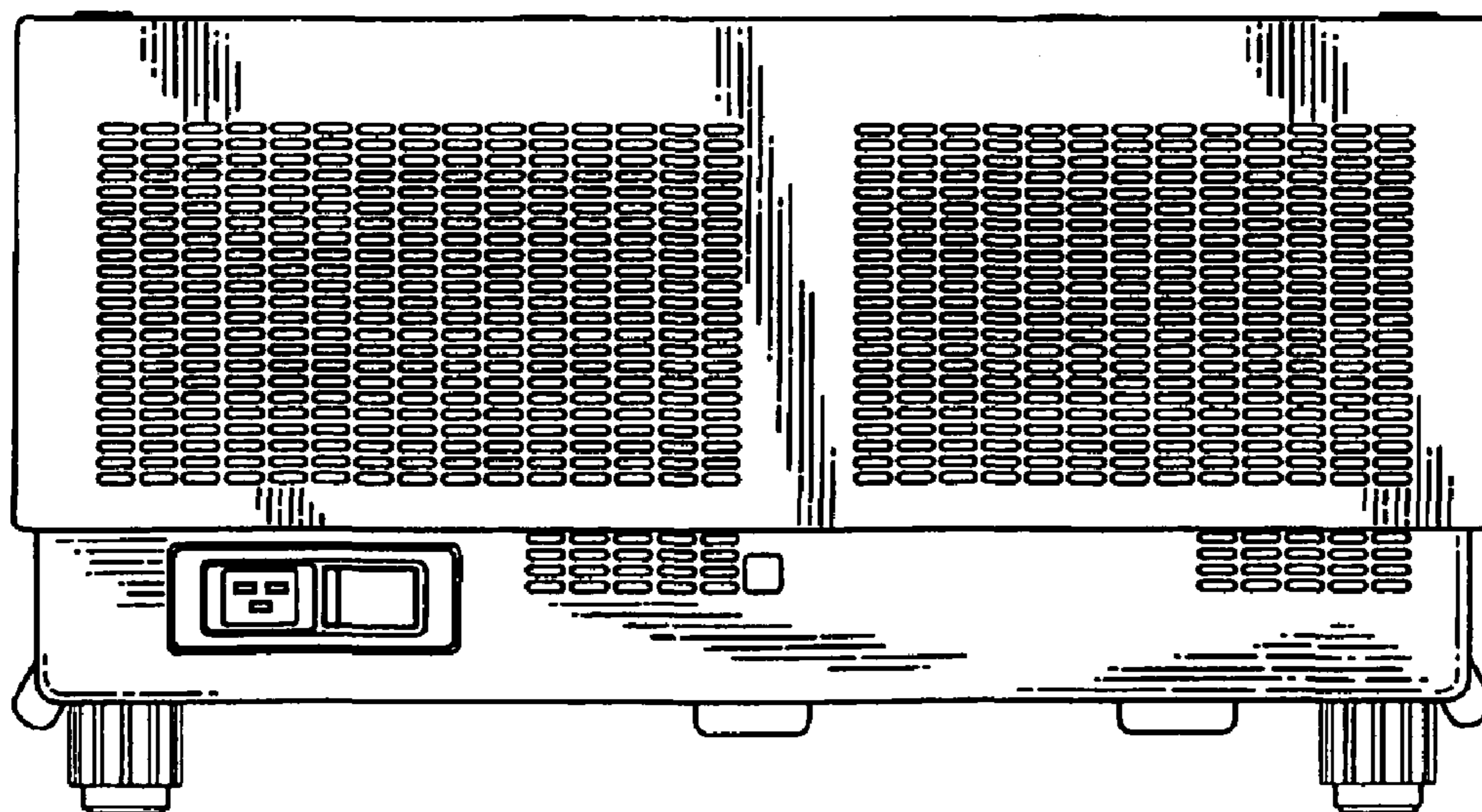


FIG.5

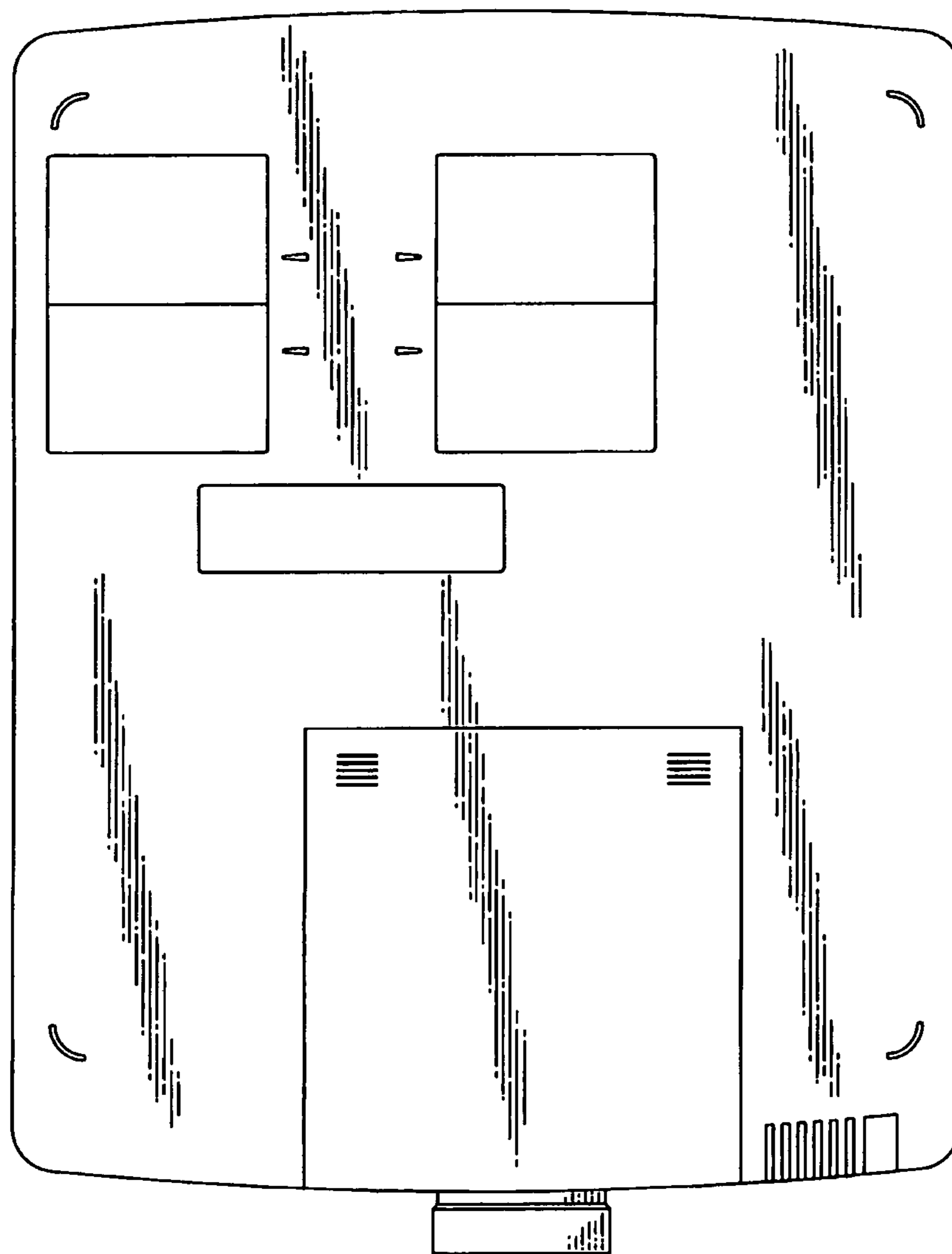


FIG.6

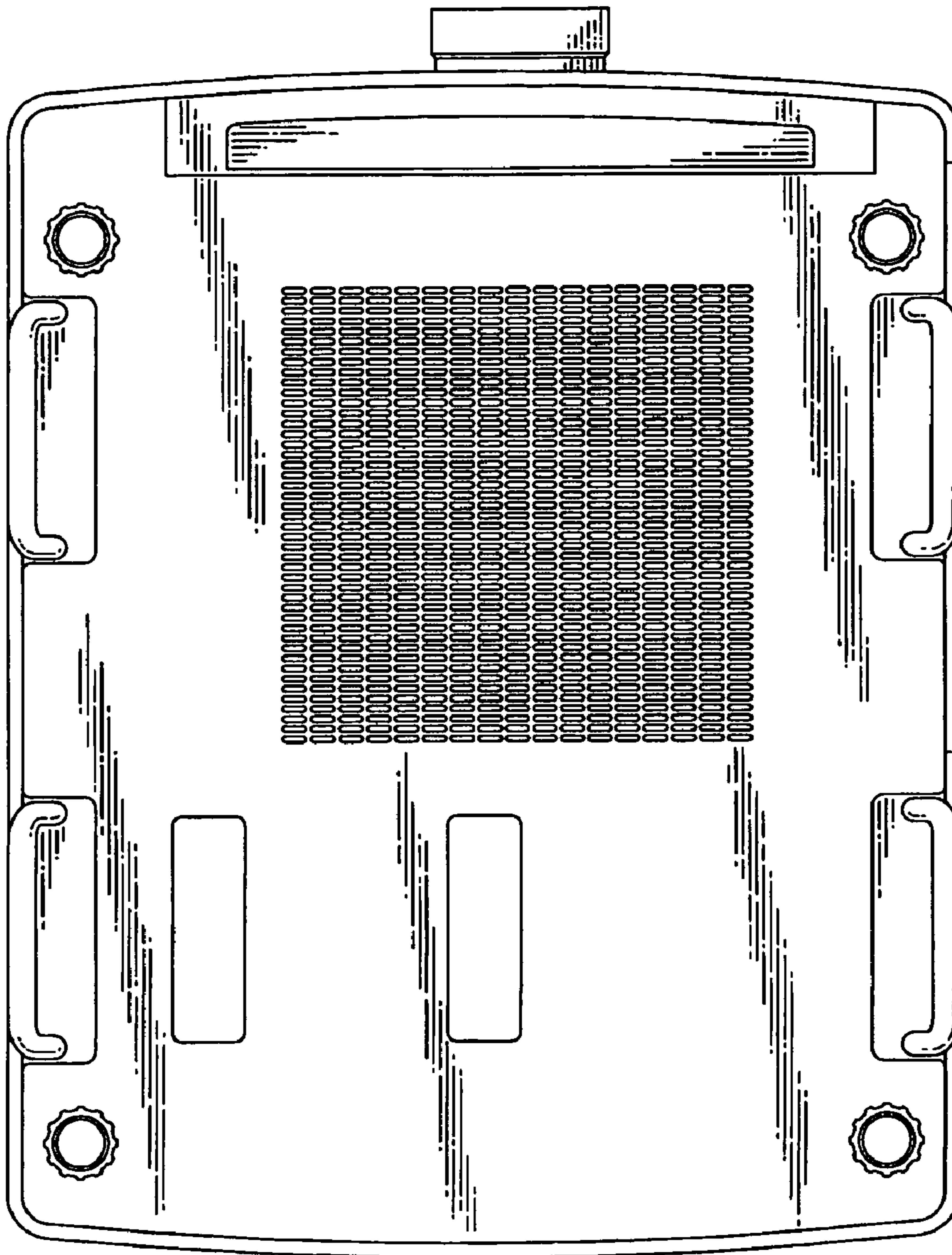


FIG.7

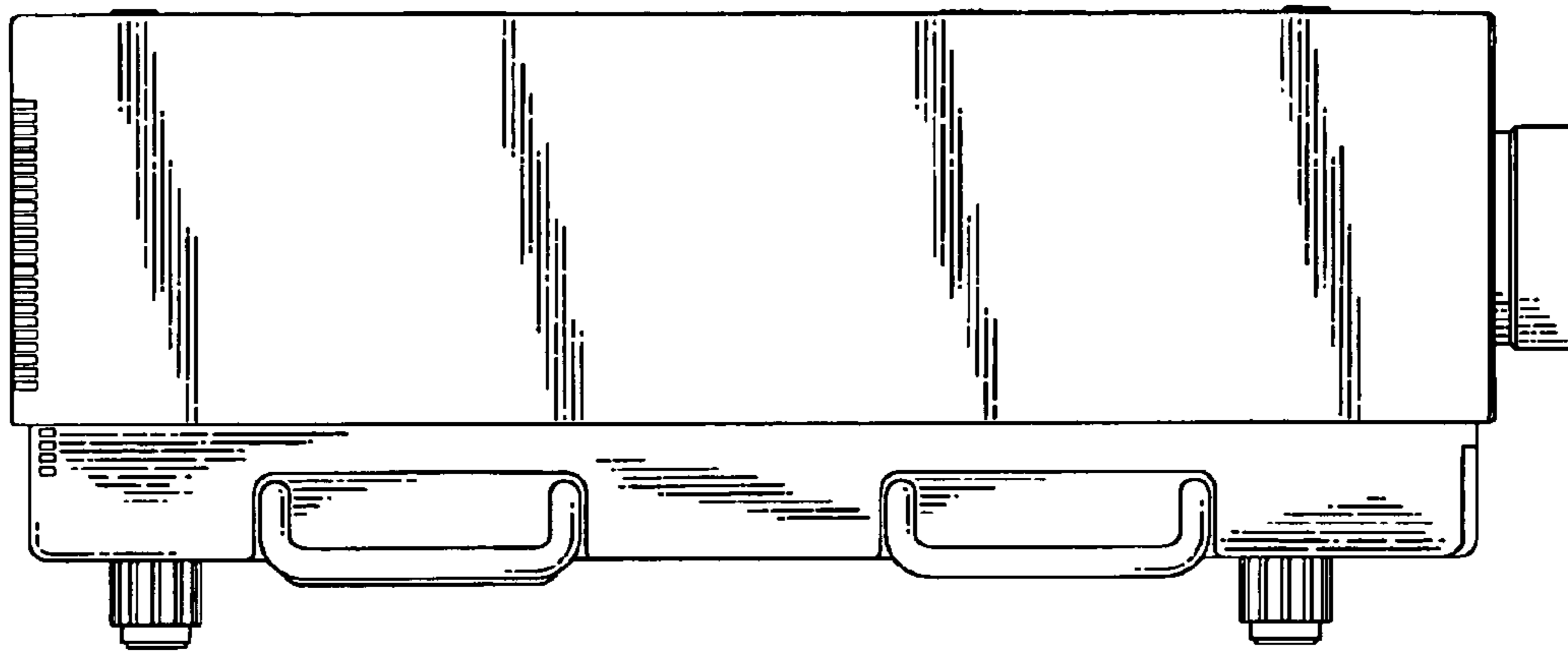


FIG.8

