



US00D648365S

(12) **United States Design Patent**
Tatara et al.

(10) **Patent No.:** **US D648,365 S**

(45) **Date of Patent:** **** Nov. 8, 2011**

(54) **SENSOR FOR PROJECTOR FOR AN INTERACTIVE DISPLAY**

(75) Inventors: **Yoshihiro Tatara**, Matsumoto (JP);
Shinji Sakurai, Matsumoto (JP)

(73) Assignee: **Seiko Epson Corporation**, Tokyo (JP)

(**) Term: **14 Years**

(21) Appl. No.: **29/384,078**

(22) Filed: **Jan. 26, 2011**

(30) **Foreign Application Priority Data**

Aug. 26, 2010 (JP) 2010-020615

(51) **LOC (9) Cl.** **16-02**

(52) **U.S. Cl.** **D16/229; D16/225; D16/230**

(58) **Field of Classification Search** D16/235,
D16/200-204, 208, 219, 221, 229, 225, 230-231,
D16/234; 348/154-155, 152; 396/153, 263;
353/119, 122, 115; D10/50; 236/46 R, 47,
236/49.3, 51, 84; D21/514

See application file for complete search history.

(56) **References Cited**

U.S. PATENT DOCUMENTS

D219,071 S * 10/1970 Ainslie D16/230
6,735,387 B1 * 5/2004 Schnell 396/263
6,768,868 B1 * 7/2004 Schnell 396/263
6,834,162 B1 * 12/2004 Schnell 396/153
7,021,775 B2 * 4/2006 Sample 353/119

D541,679 S * 5/2007 Disselkoen et al. D10/50
D542,160 S * 5/2007 Disselkoen et al. D10/50
7,258,449 B2 * 8/2007 Chong et al. 353/119
7,309,132 B2 * 12/2007 Sample 353/119
D602,062 S * 10/2009 Tatara D16/230
D620,185 S * 7/2010 Schmitt et al. D26/93
D622,752 S * 8/2010 Takeda et al. D16/225
7,810,934 B2 * 10/2010 Ho 353/119

* cited by examiner

Primary Examiner — Wan Laymon

(74) *Attorney, Agent, or Firm* — Oliff & Berridge, PLC

(57) **CLAIM**

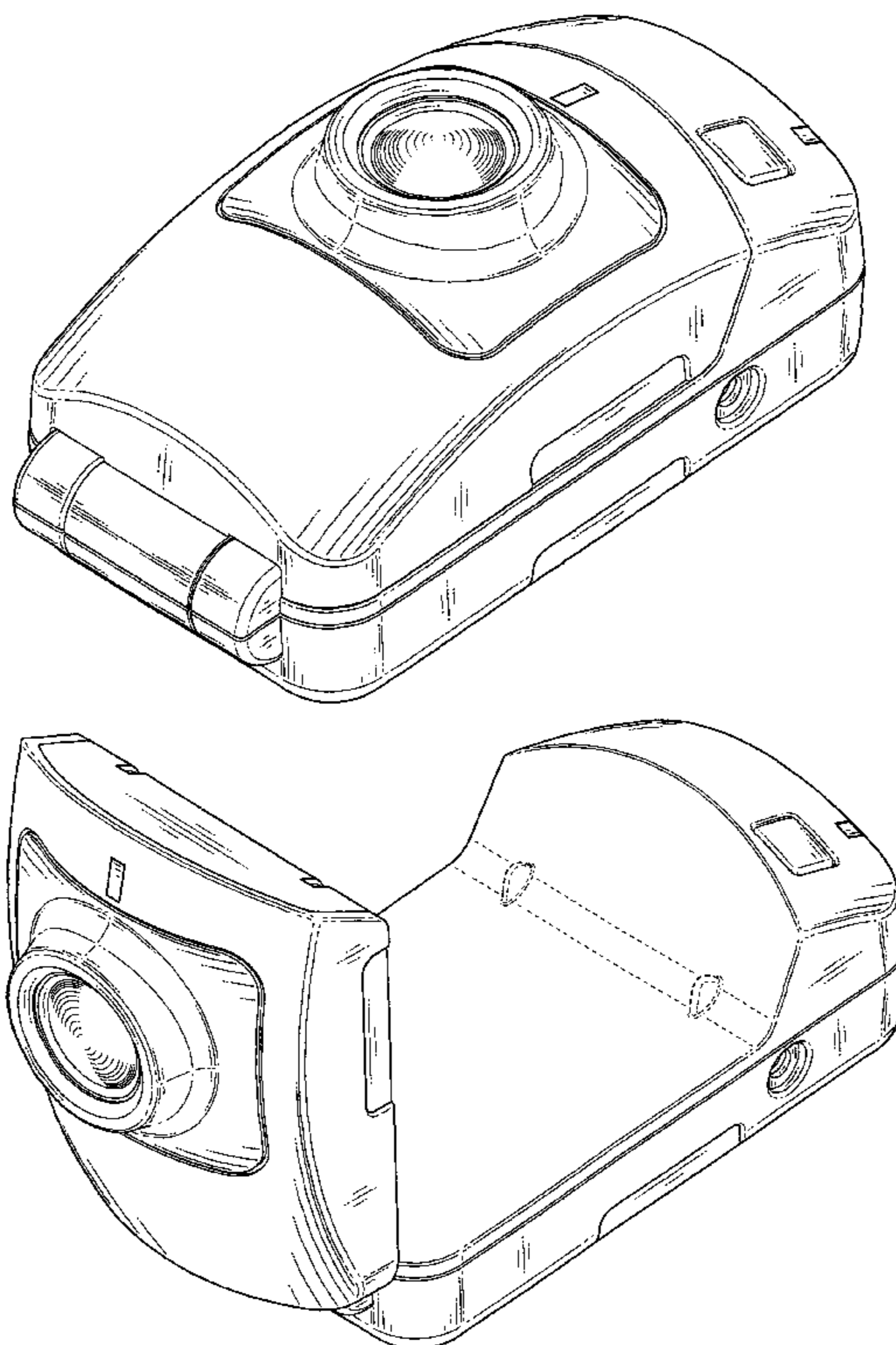
The ornamental design for a sensor for projector for an interactive display, as shown and described.

DESCRIPTION

FIG. 1 is a front, left-side and top perspective view of a sensor for projector for an interactive display;
FIG. 2 is a rear, right-side and top perspective view thereof;
FIG. 3 is a front, left-side and top perspective view thereof in an open position;
FIG. 4 is a front view thereof;
FIG. 5 is a rear view thereof;
FIG. 6 is a left-side view thereof;
FIG. 7 is a right-side view thereof;
FIG. 8 is a top view thereof; and
FIG. 9 is a bottom view thereof.

The portions of the sensor for projector for an interactive display shown in broken lines form no part of the claimed design.

1 Claim, 9 Drawing Sheets



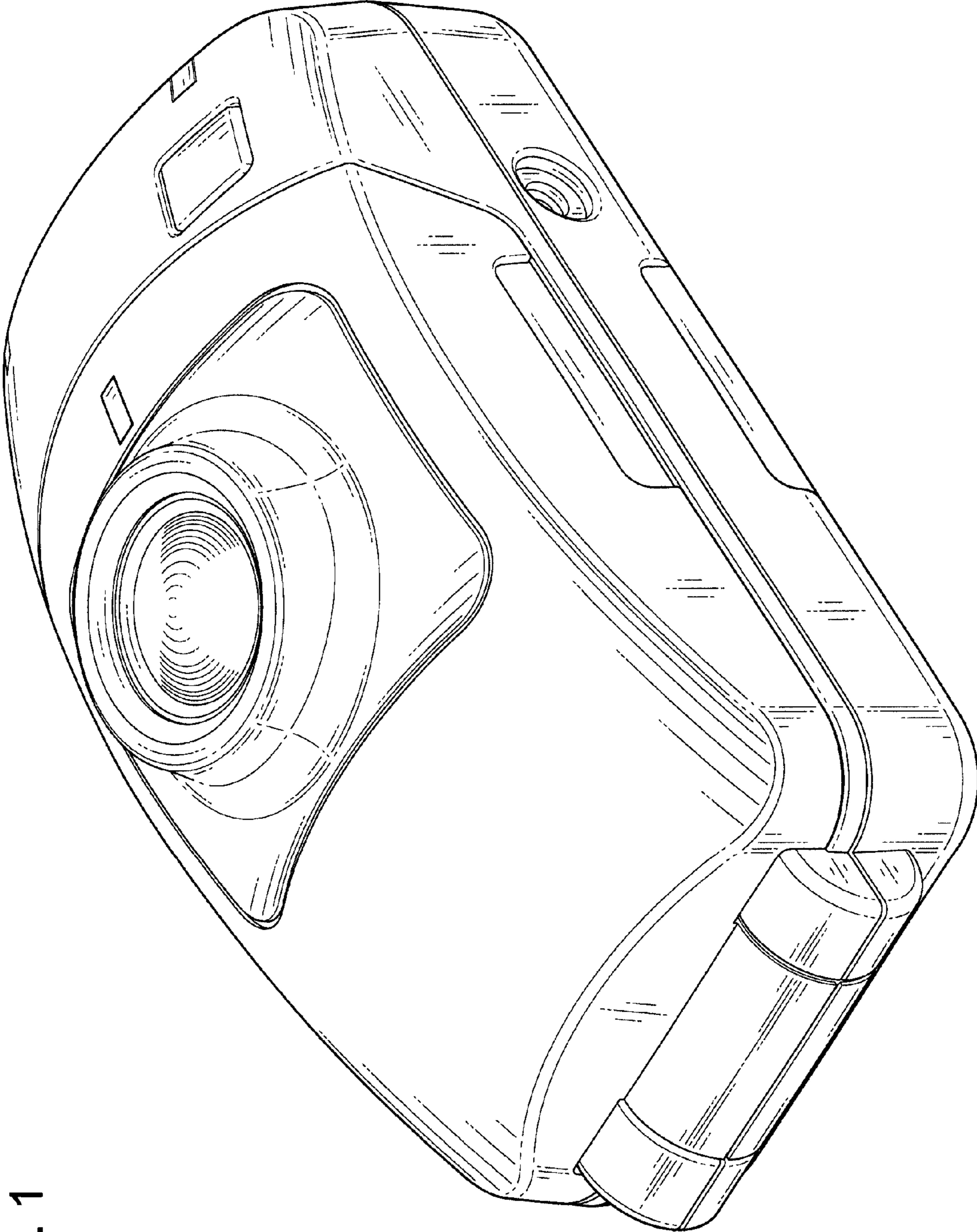


FIG. 1

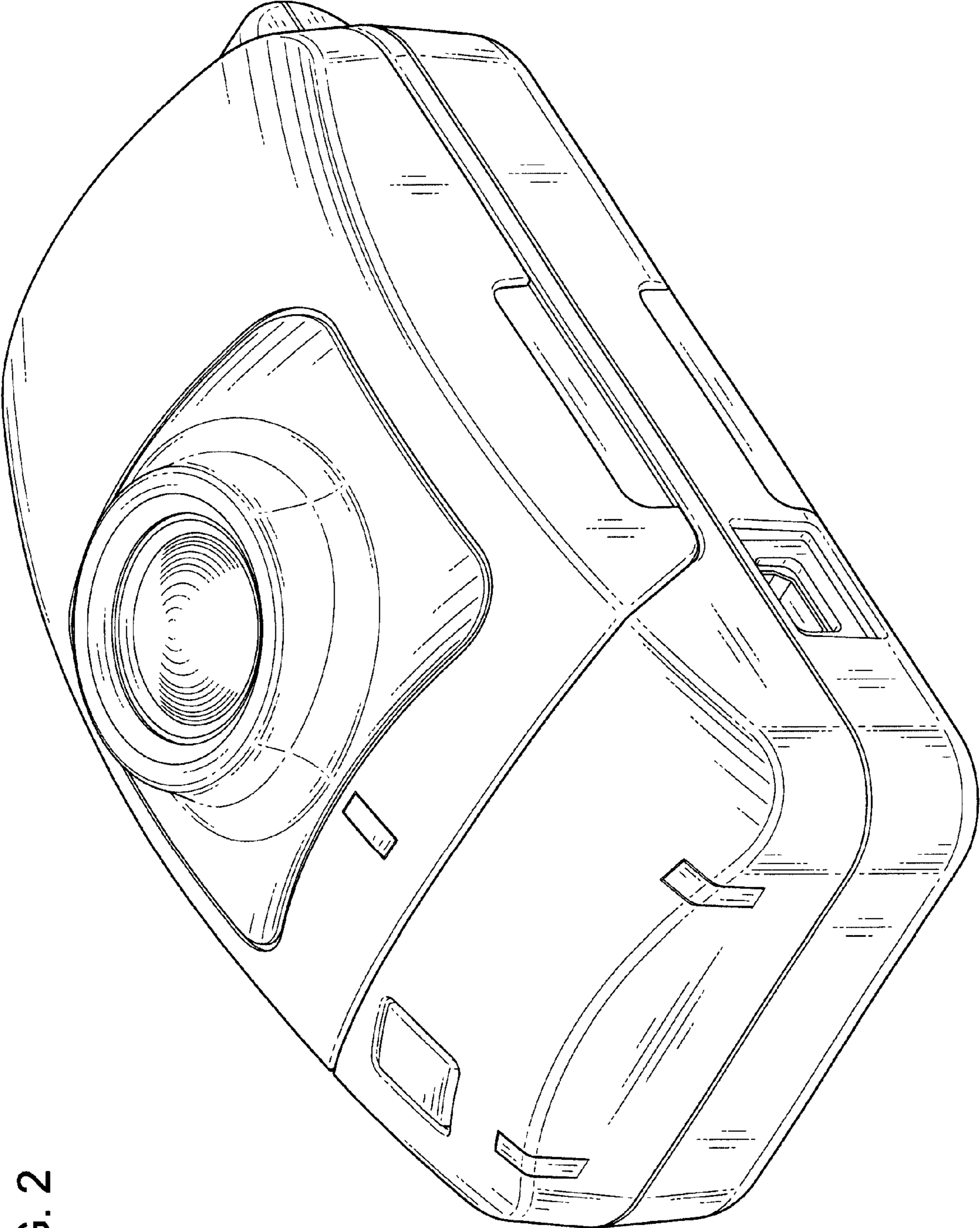


FIG. 2

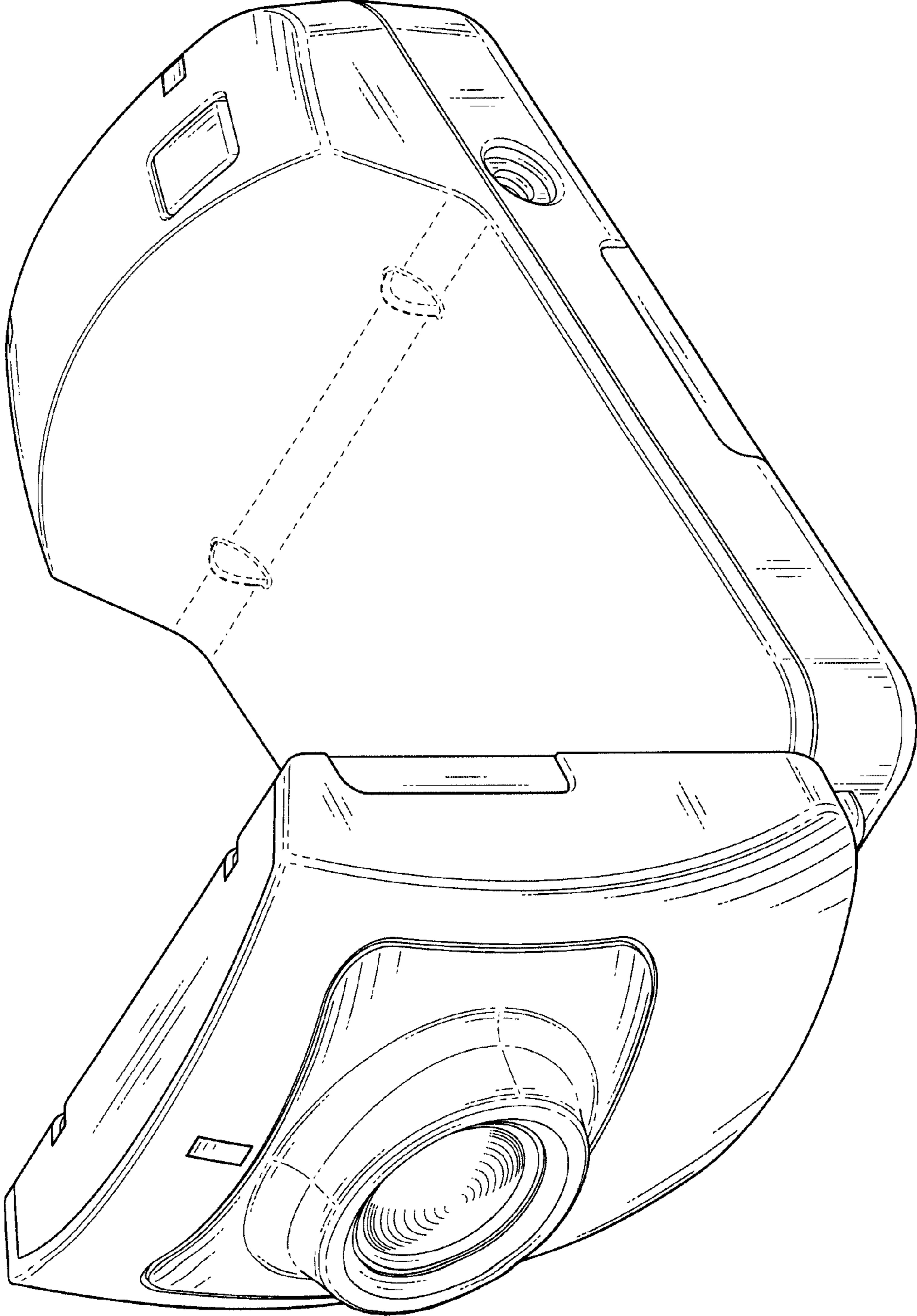


FIG. 3

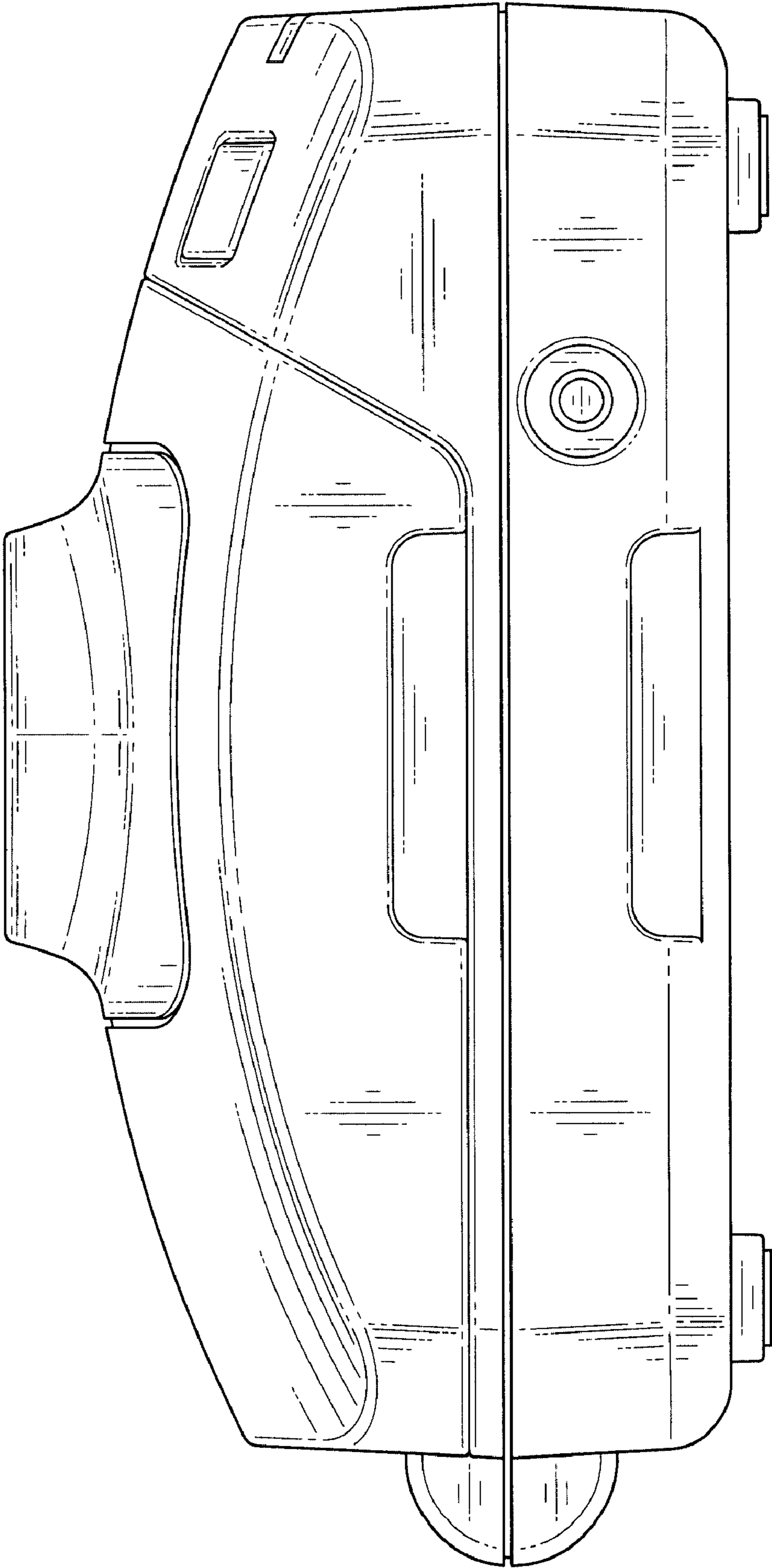


FIG. 4

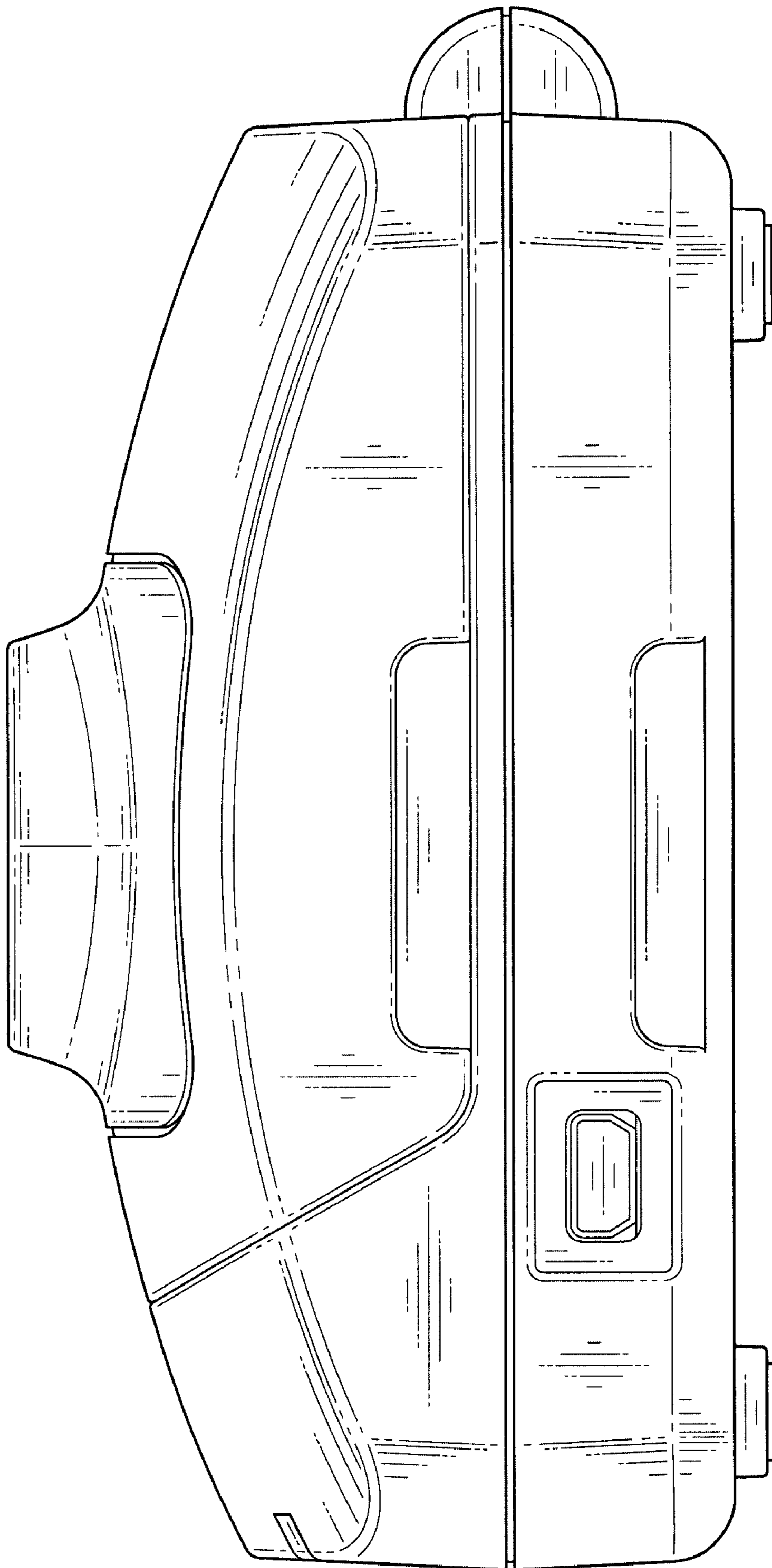


FIG. 5

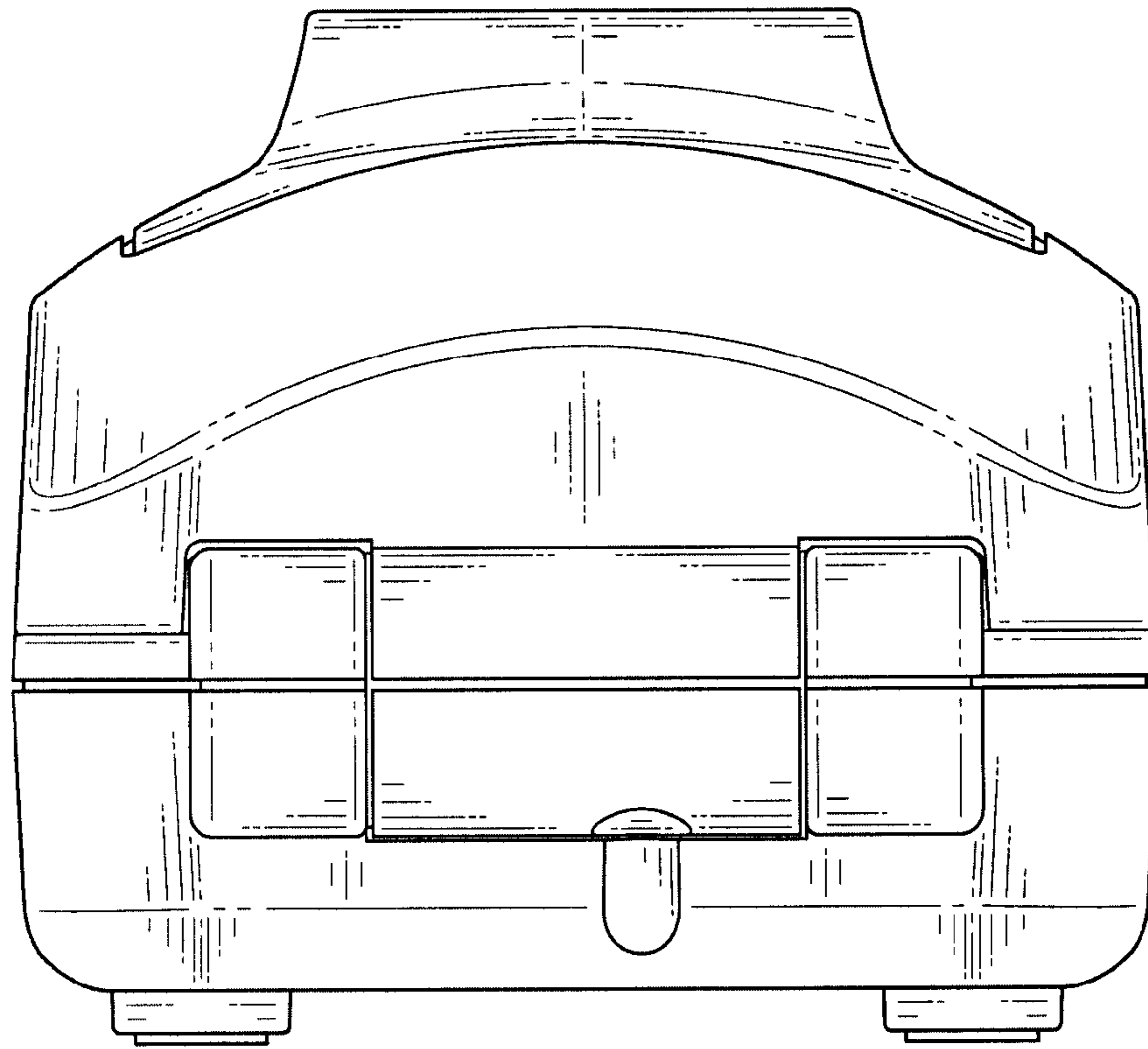


FIG. 6

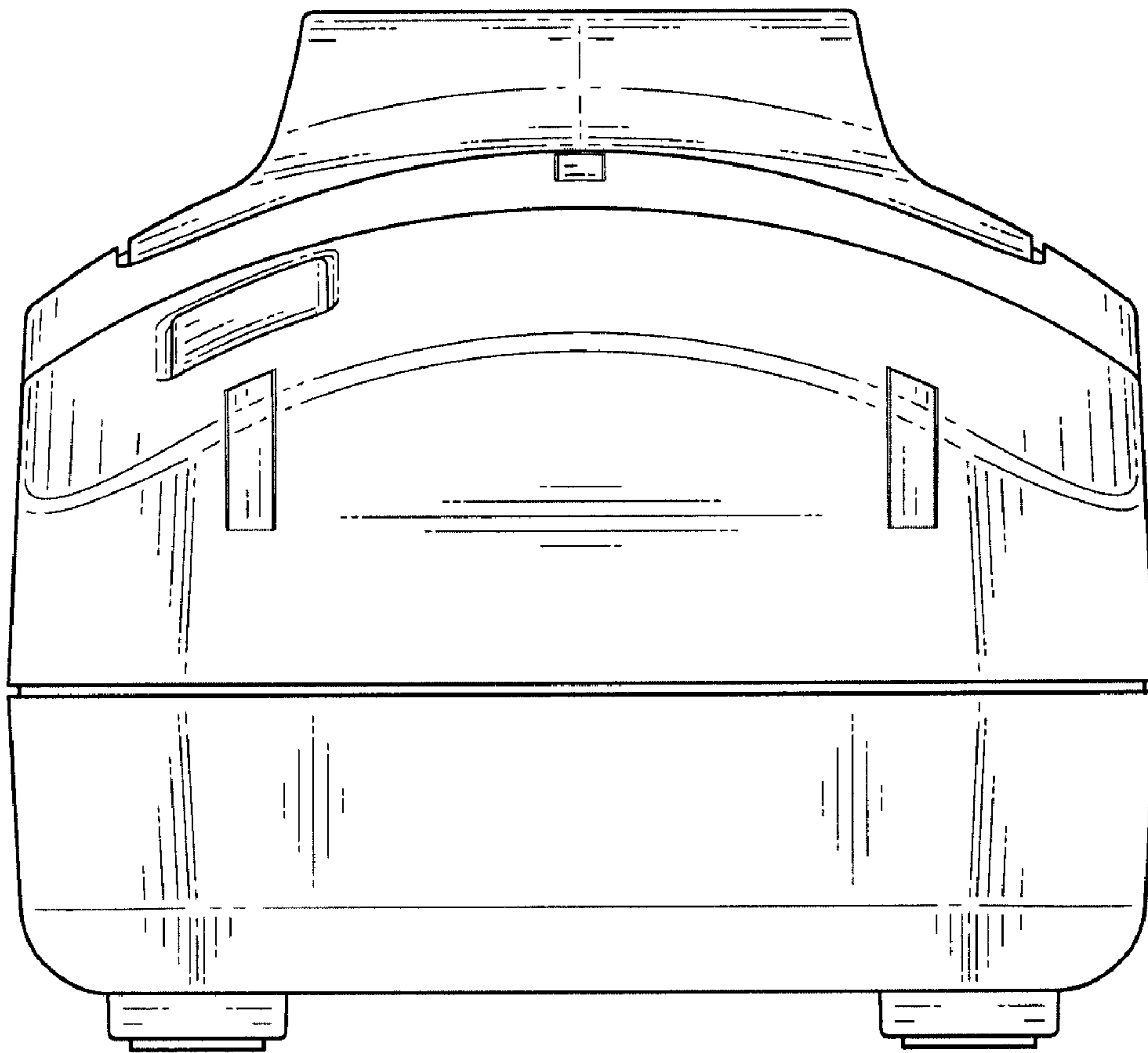


FIG. 7

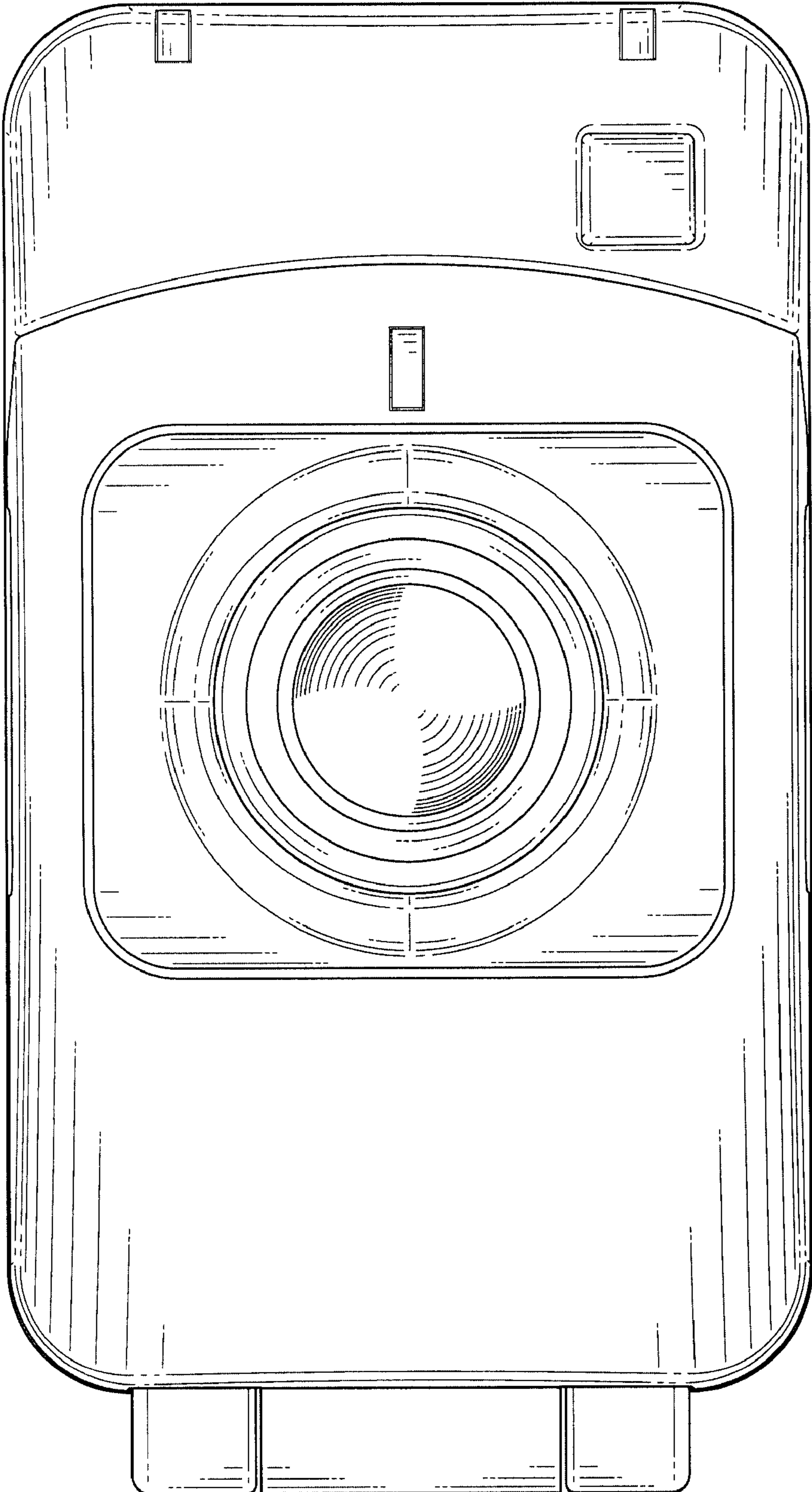


FIG. 8

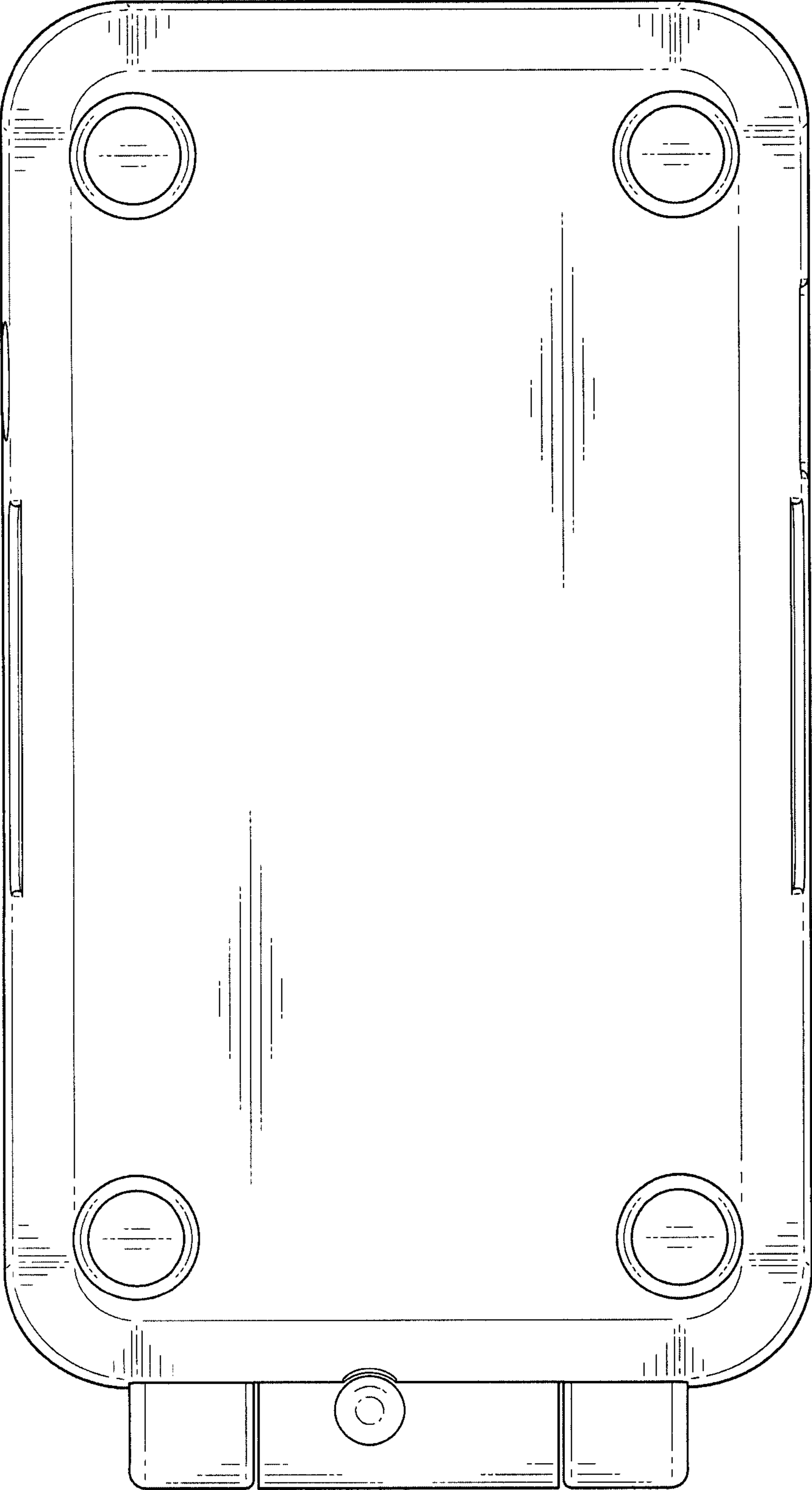


FIG. 9