



US00D648364S

(12) **United States Design Patent**
Tsukamoto et al.

(10) **Patent No.:** **US D648,364 S**

(45) **Date of Patent:** **** Nov. 8, 2011**

(54) **PROJECTOR-EQUIPPED DIGITAL CAMERA**

(75) Inventors: **Chihiro Tsukamoto**, Tokyo (JP);
Michiyo Ogawa, Tokyo (JP)

(73) Assignee: **Nikon Corporation** (JP)

(**) Term: **14 Years**

(21) Appl. No.: **29/385,056**

(22) Filed: **Feb. 8, 2011**

(30) **Foreign Application Priority Data**

Aug. 11, 2010 (JP) 2010-019609
Aug. 11, 2010 (JP) 2010-019611

(51) **LOC (9) Cl.** **16-05**

(52) **U.S. Cl.** **D16/219**

(58) **Field of Classification Search** D16/200–204,
D16/208, 218, 219; 348/373–376; 358/909.1;
396/25, 535–541

See application file for complete search history.

(56) **References Cited**

U.S. PATENT DOCUMENTS

7,060,921 B2 * 6/2006 Kubo 396/25
D538,324 S * 3/2007 Masamitsu et al. D16/219
D540,364 S * 4/2007 Ishii D16/219
D566,153 S * 4/2008 Katsuraku D16/218
D596,213 S * 7/2009 Hwang D16/202
7,675,478 B2 * 3/2010 Yamazaki 358/909.1
7,778,014 B2 * 8/2010 Saiki et al. 361/679.01

* cited by examiner

Primary Examiner — Adir Aronovich

(74) *Attorney, Agent, or Firm* — Schwegman, Lundberg & Woessner, P.A.

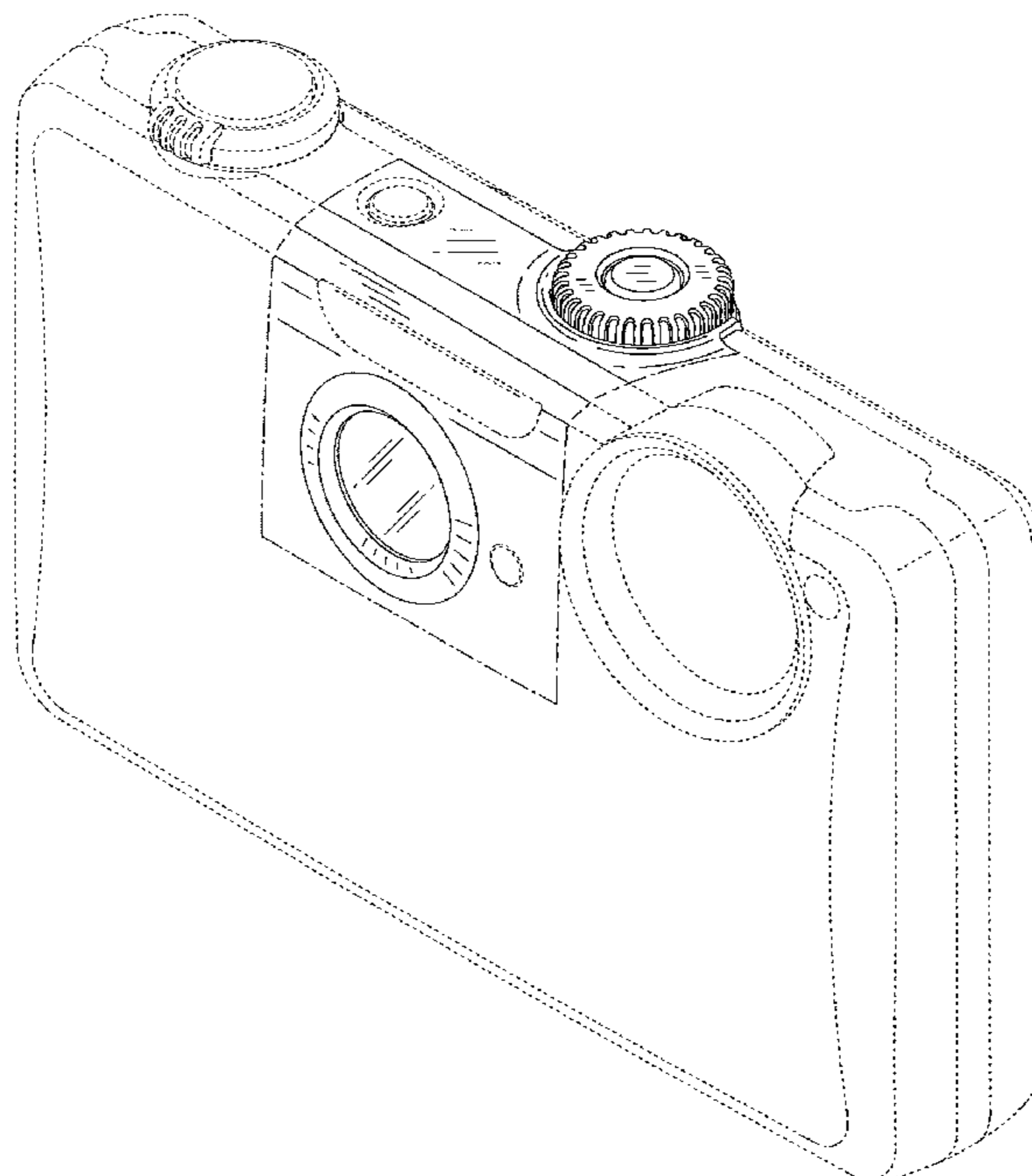
(57) **CLAIM**

The ornamental design for a projector-equipped digital camera, as shown and described.

DESCRIPTION

FIG. 1 is a perspective view of a projector-equipped digital camera showing our new design;
FIG. 2 is a front elevational view thereof;
FIG. 3 is a rear elevational view thereof;
FIG. 4 is a top plan view thereof;
FIG. 5 is a bottom plan view thereof;
FIG. 6 is a right side elevational view thereof;
FIG. 7 is a left side elevational view thereof;
FIG. 8 is a cross-sectional view taken along line 8-8 in FIG. 2, wherein the internal structure is omitted;
FIG. 9 is a cross-sectional view taken along line 9-9 in FIG. 2, wherein the internal structure is omitted;
FIG. 10 is a perspective view of a projector-equipped digital camera according to a second embodiment of the present design;
FIG. 11 is a front elevational view thereof;
FIG. 12 is a rear elevational view thereof;
FIG. 13 is a top plan view thereof;
FIG. 14 is a bottom plan view thereof;
FIG. 15 is a right side elevational view thereof;
FIG. 16 is a left side elevational view thereof; and
FIG. 17 is a cross-sectional view taken along line 17-17 in FIG. 11, wherein the internal structure is omitted.
The broken lines are shown for illustrative purposes only and form no part of the claimed design. The dashed-dotted lines denote the boundary of the claim and form no part of the claimed design.

1 Claim, 11 Drawing Sheets



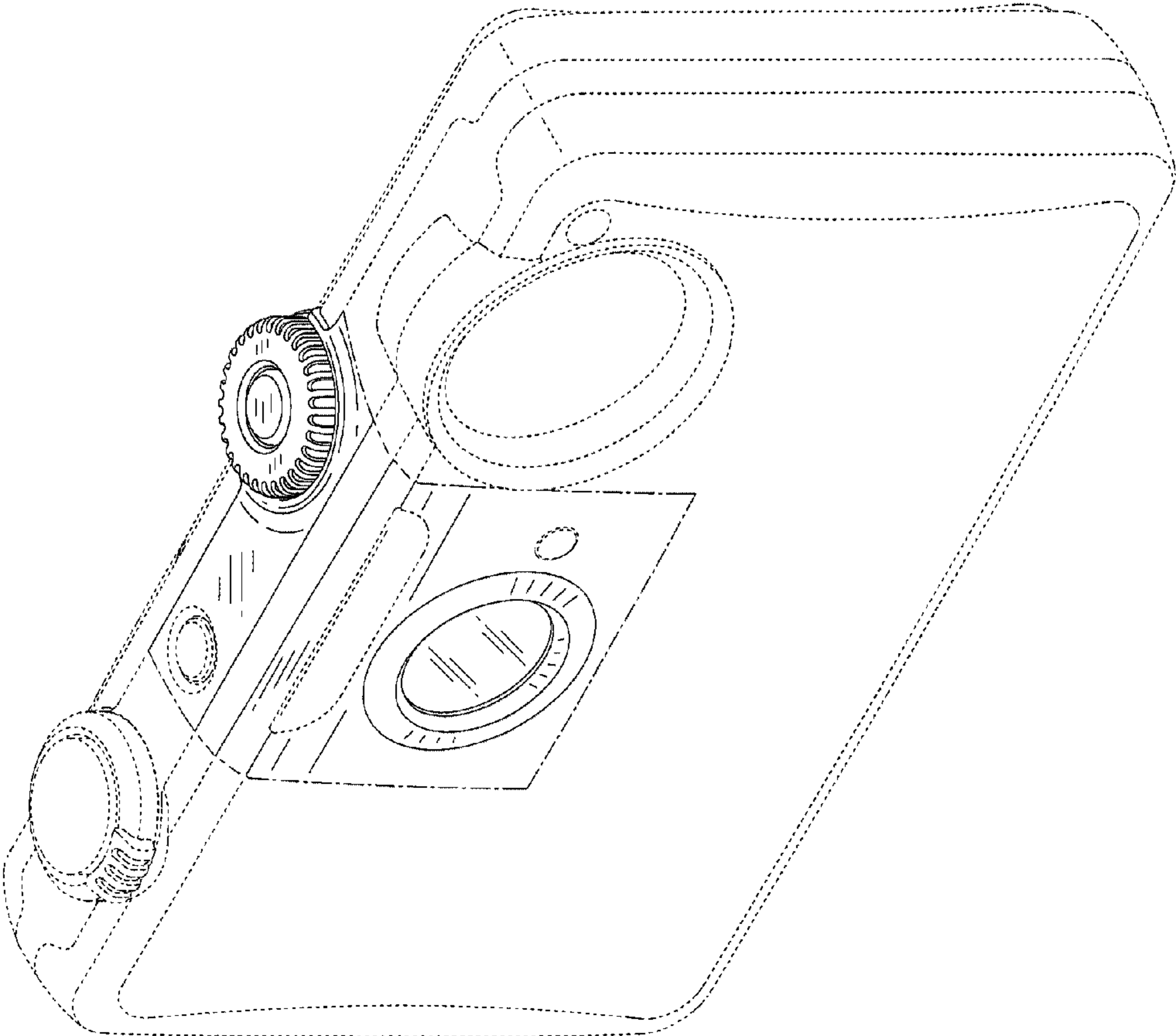


Fig. 1

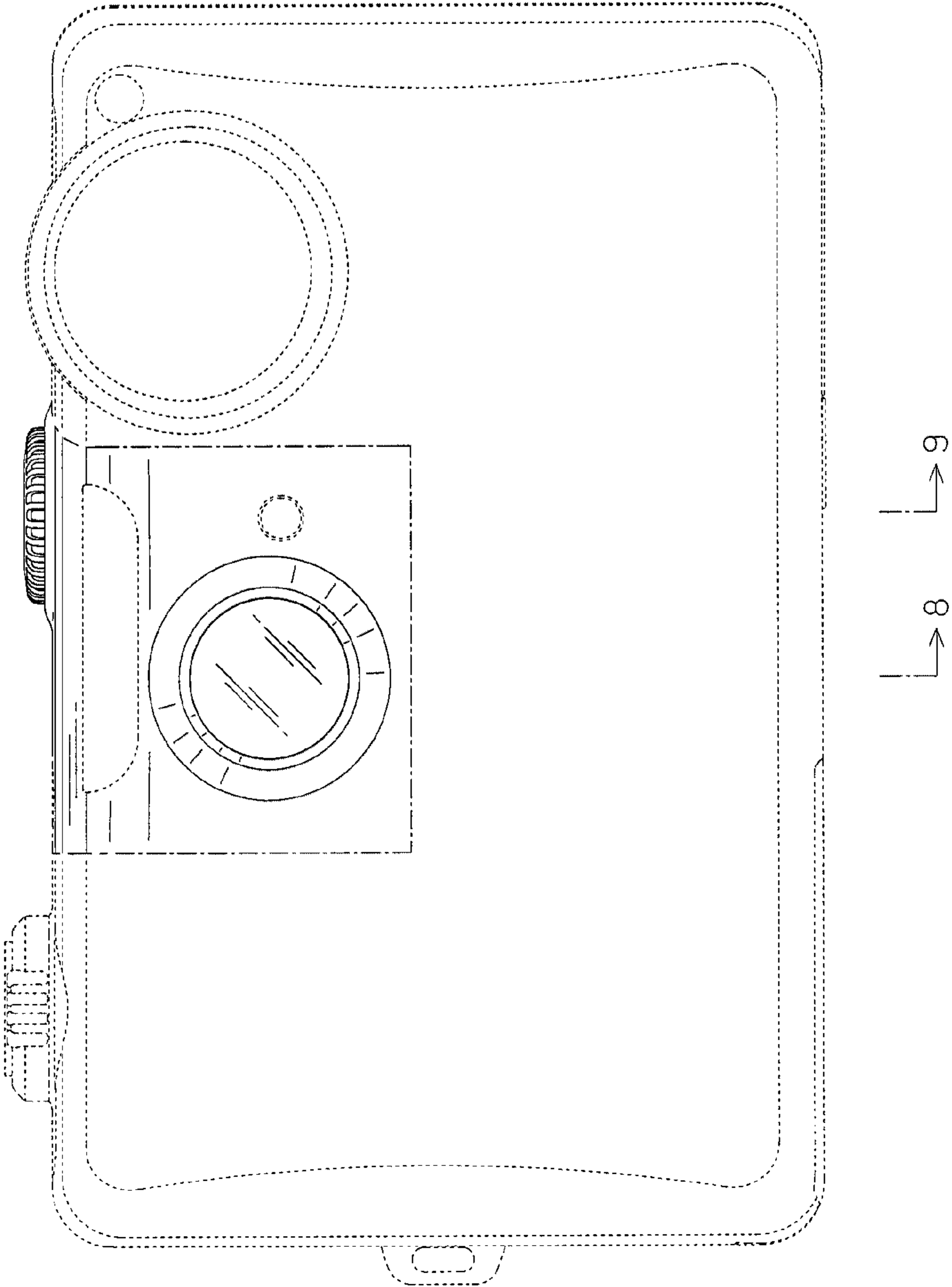


Fig. 2

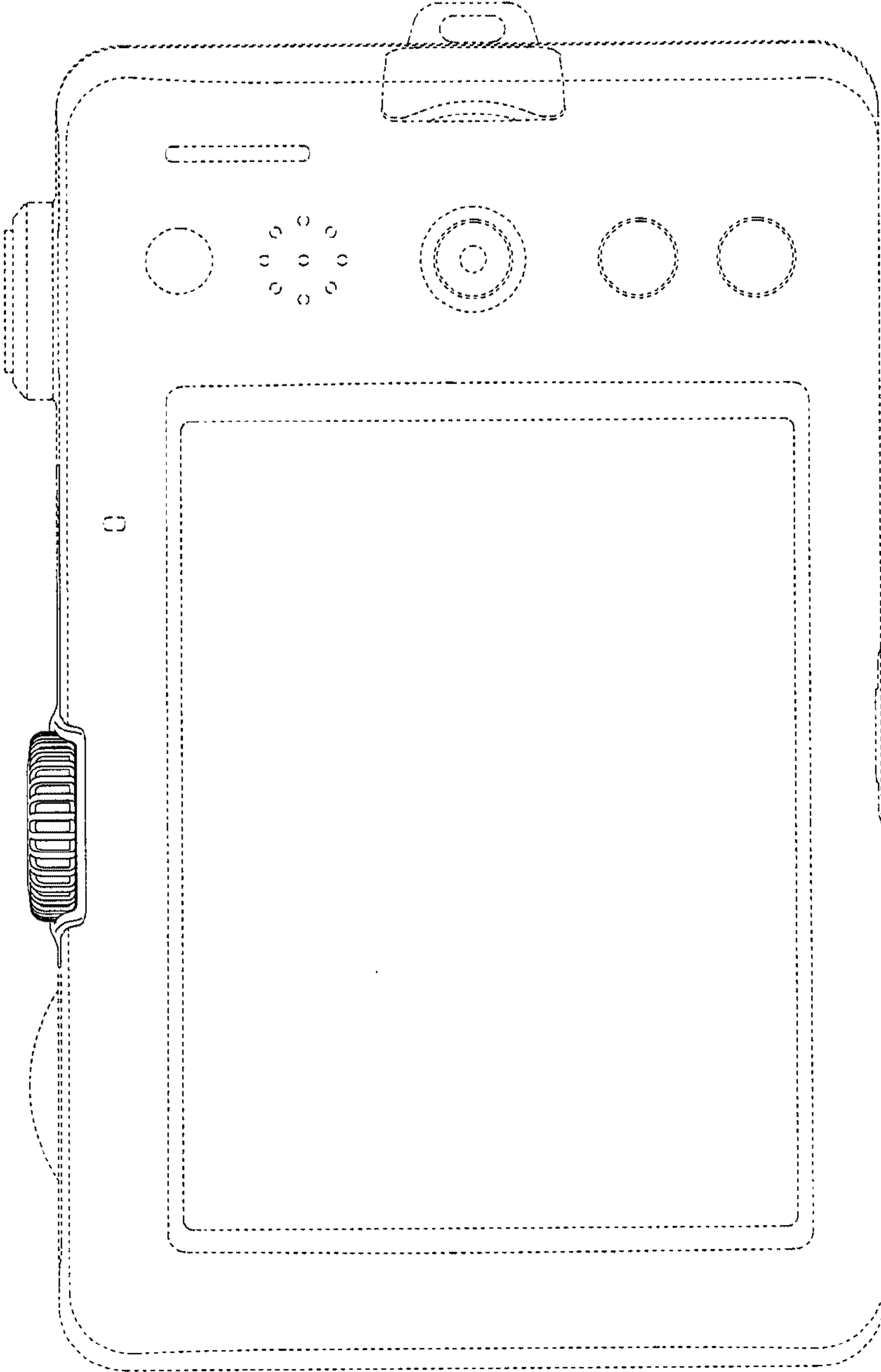


Fig. 3

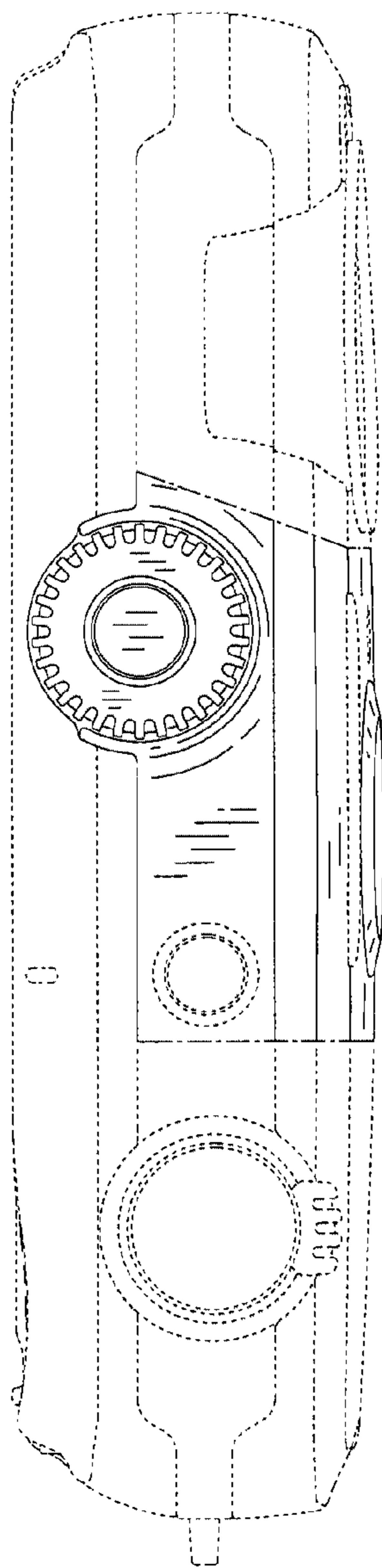


Fig. 4

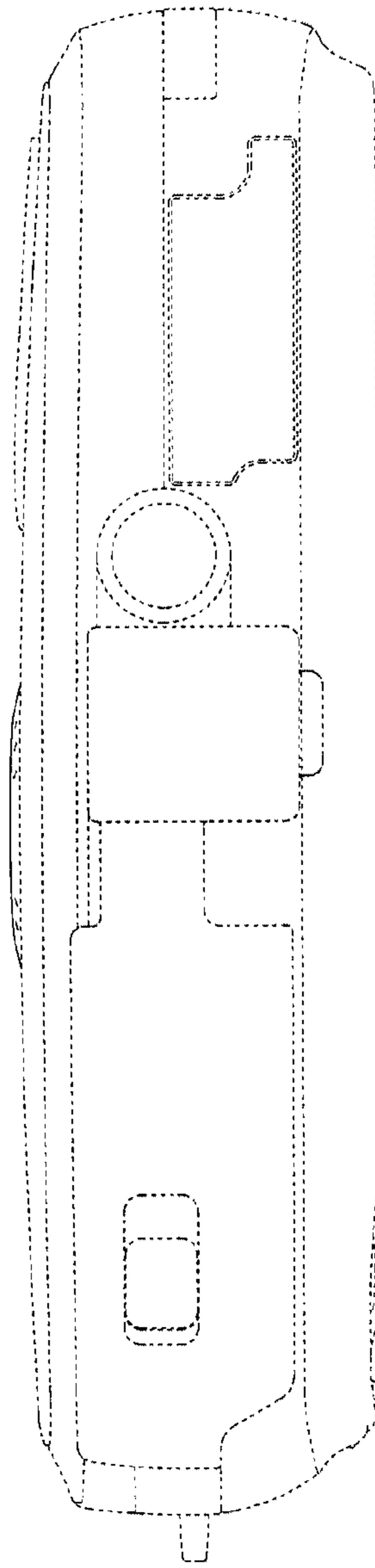


Fig. 5

Fig. 7

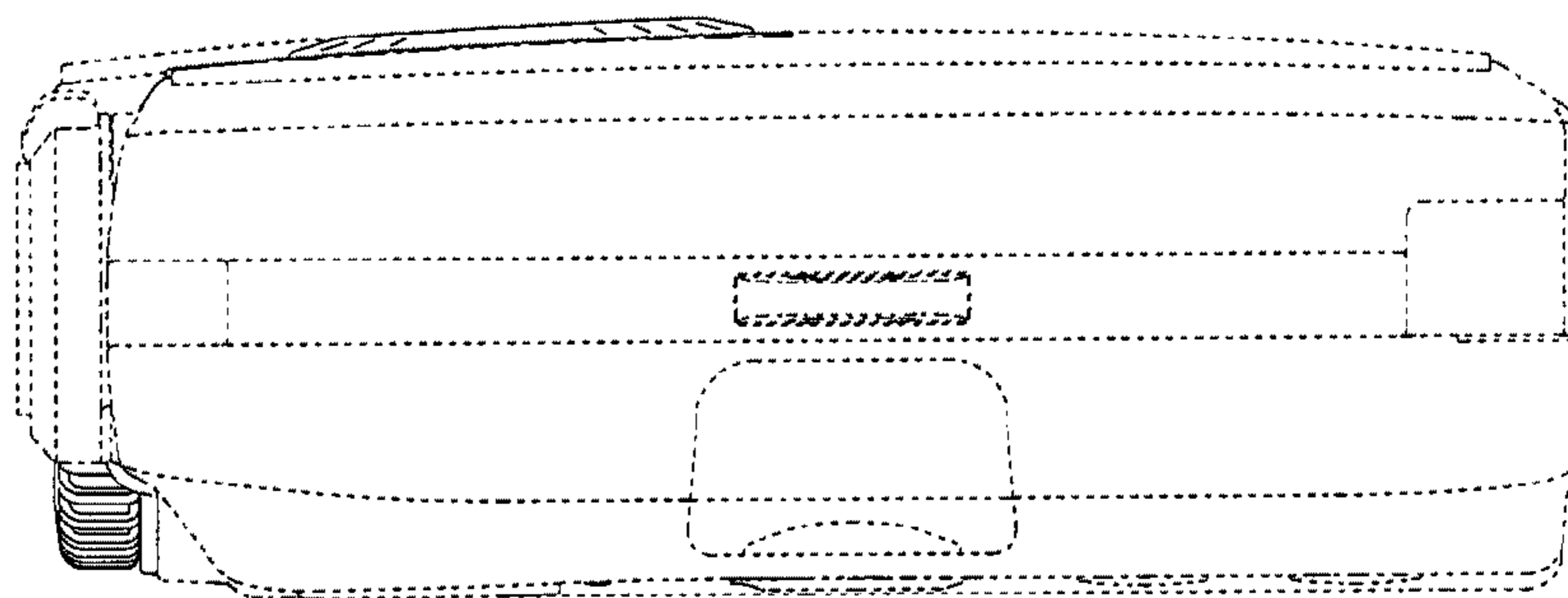
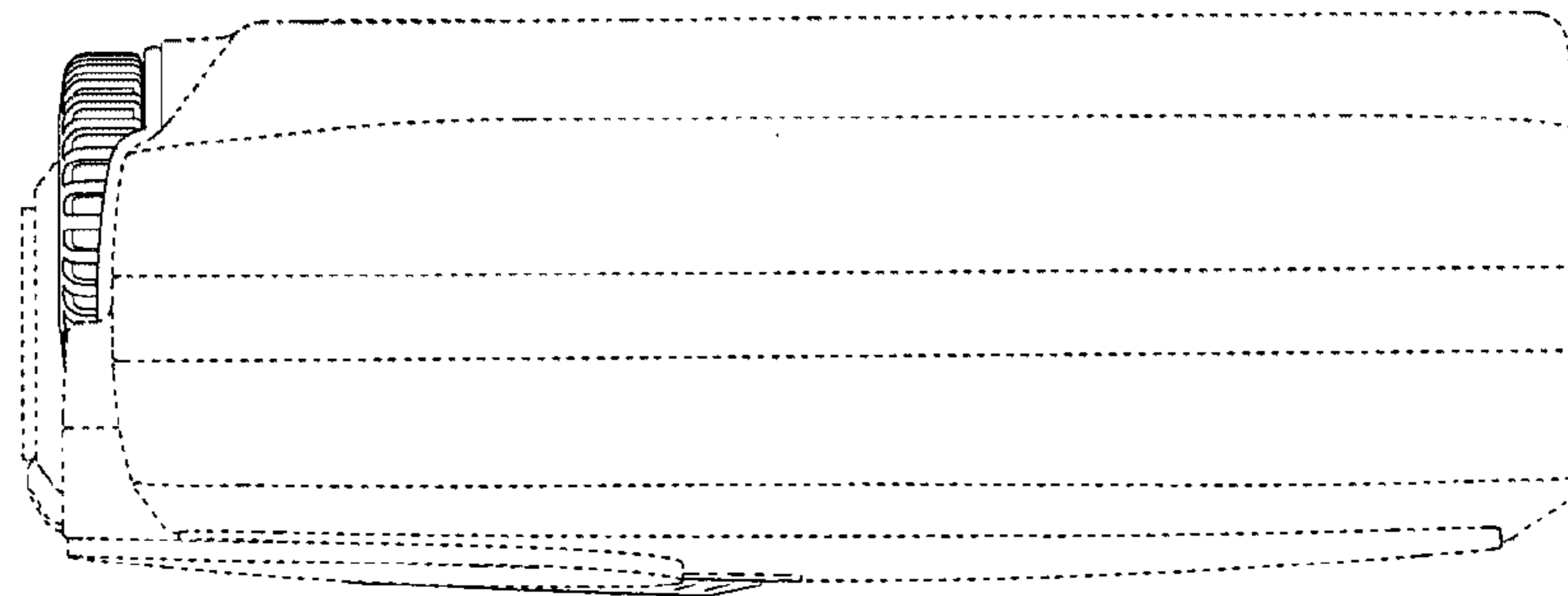


Fig. 6



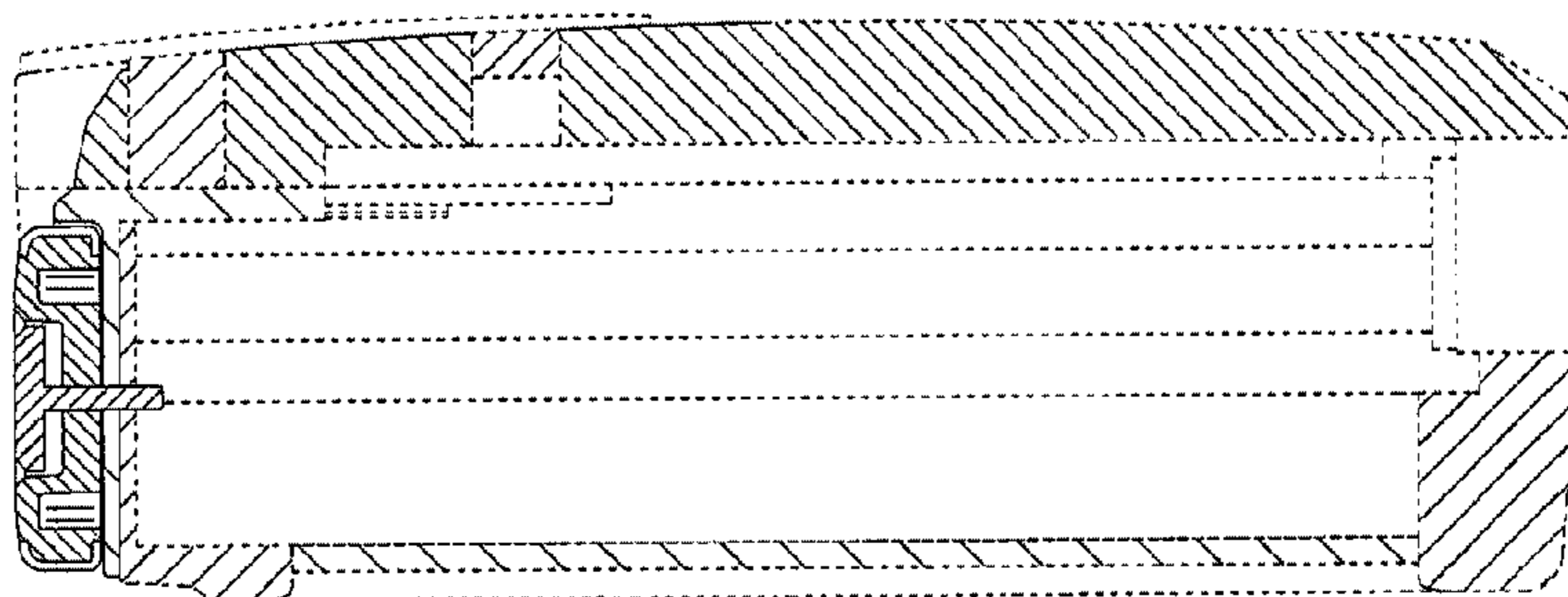


Fig. 9

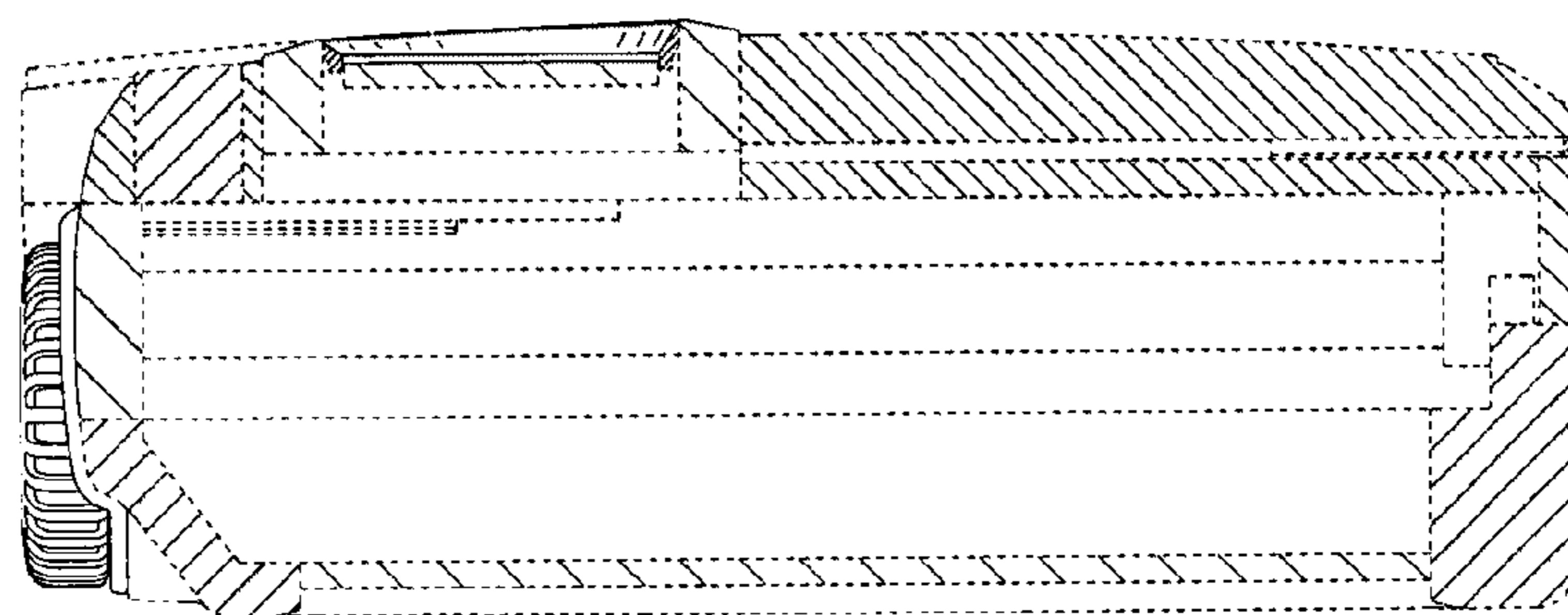


Fig. 8

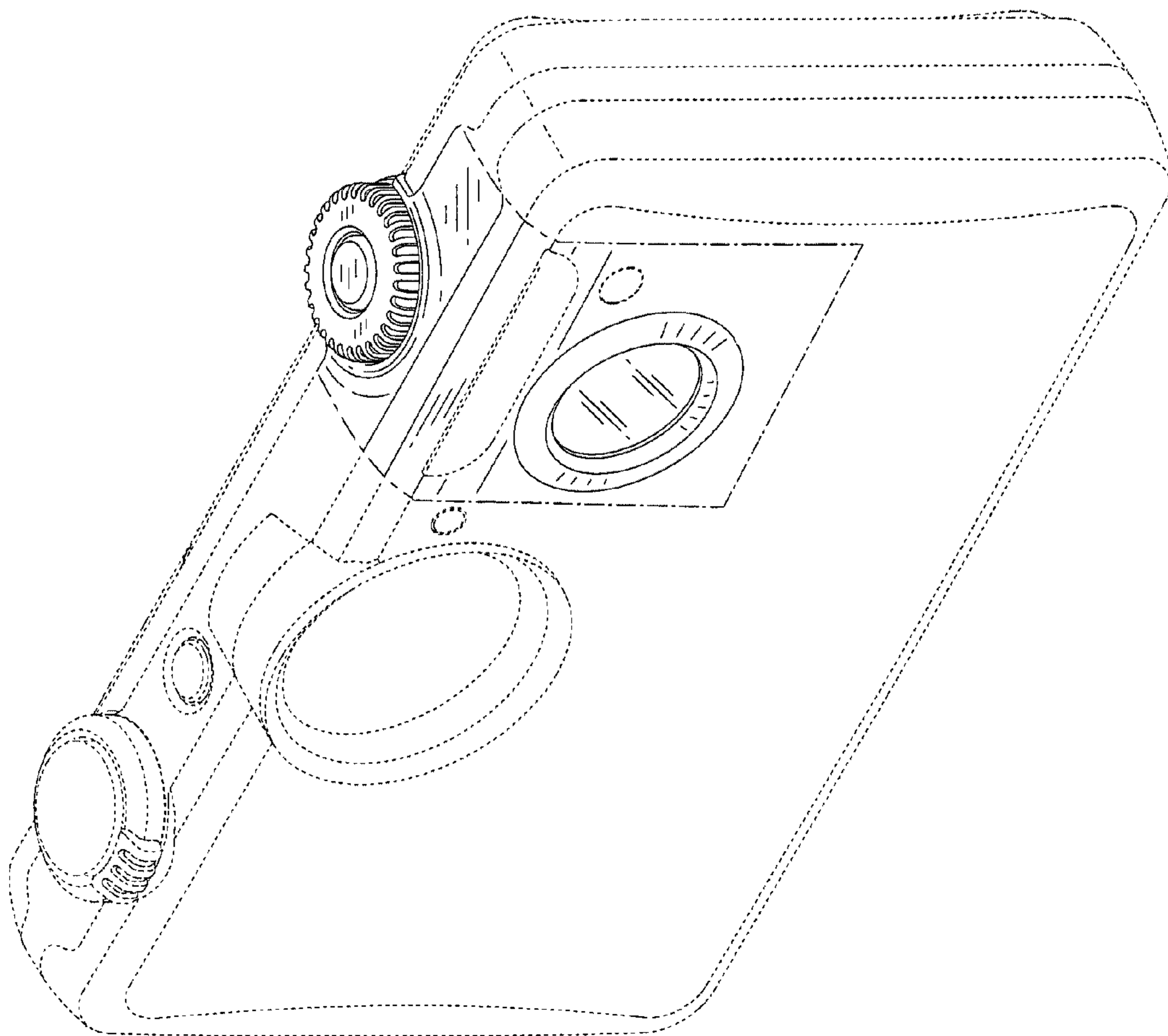
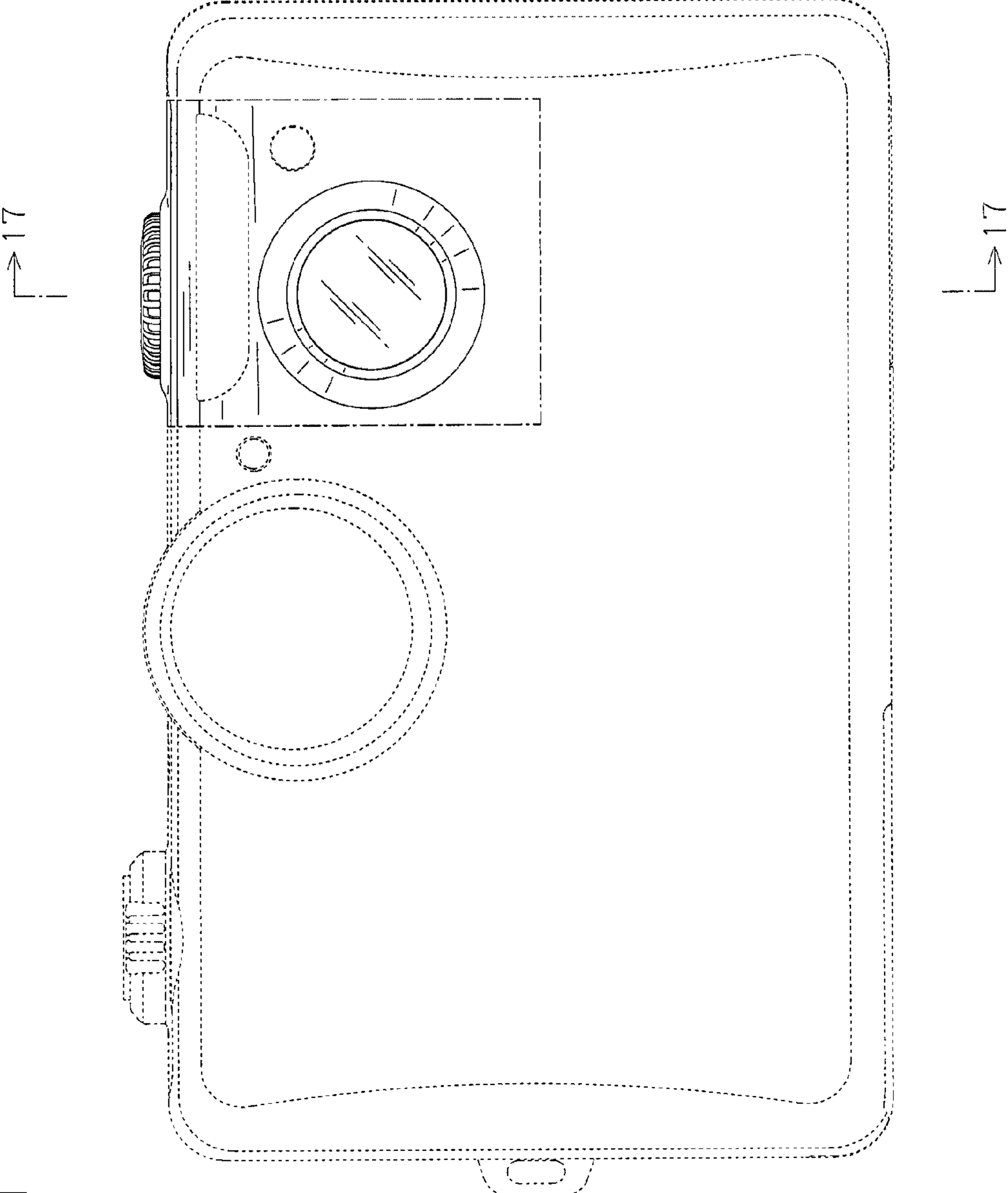


Fig. 10

Fig. 11



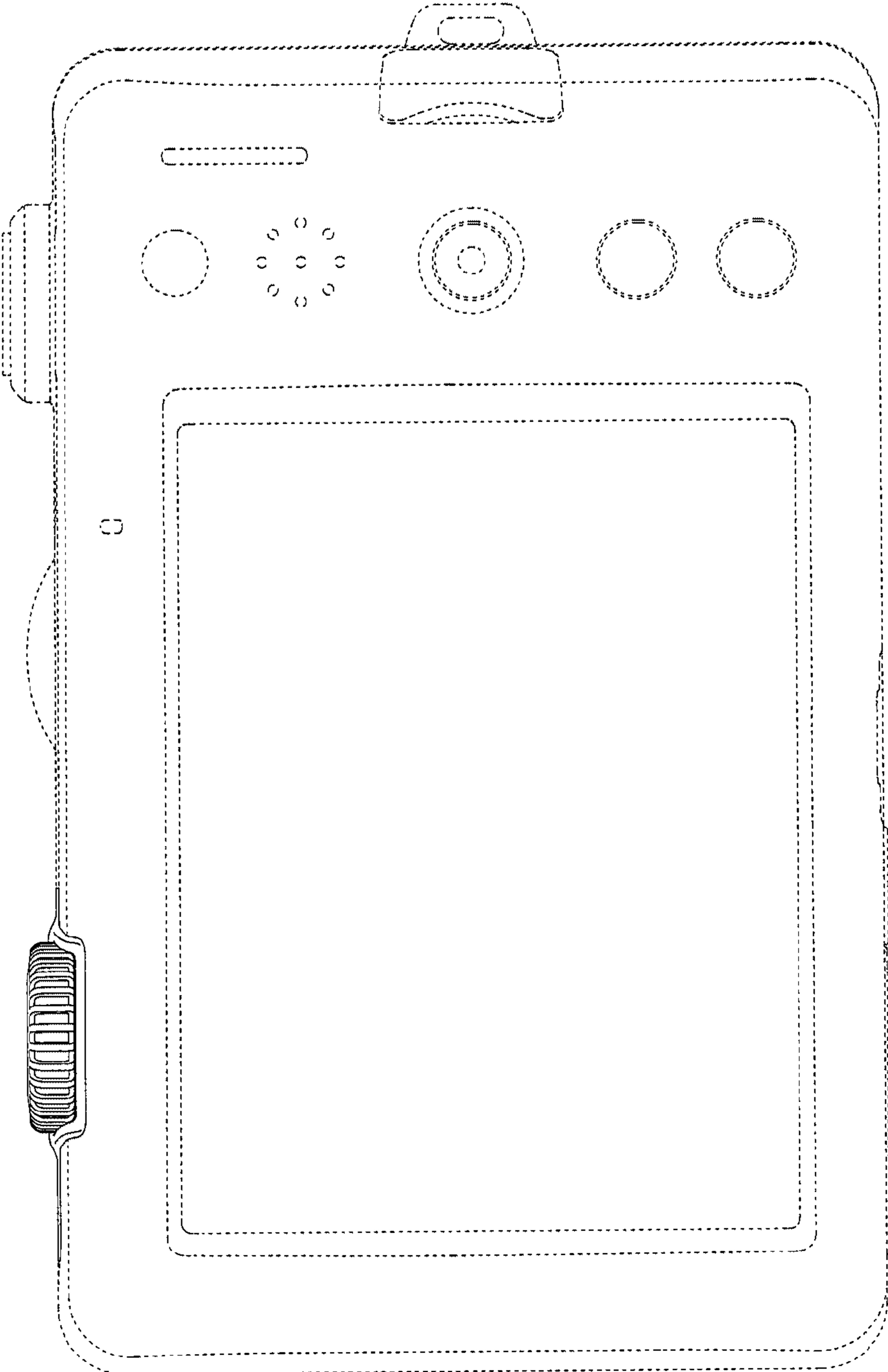


Fig. 12

Fig. 13

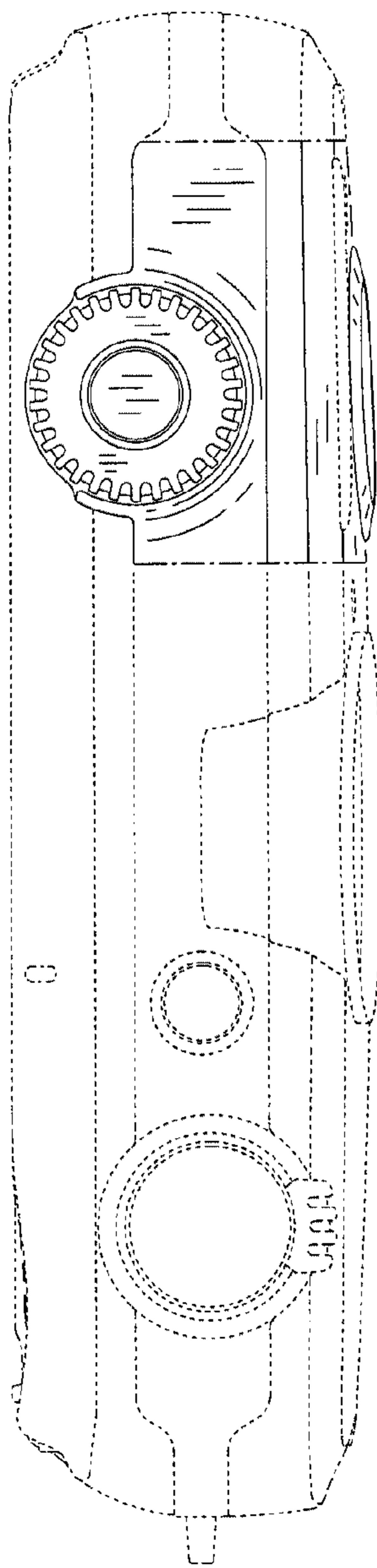


Fig. 14

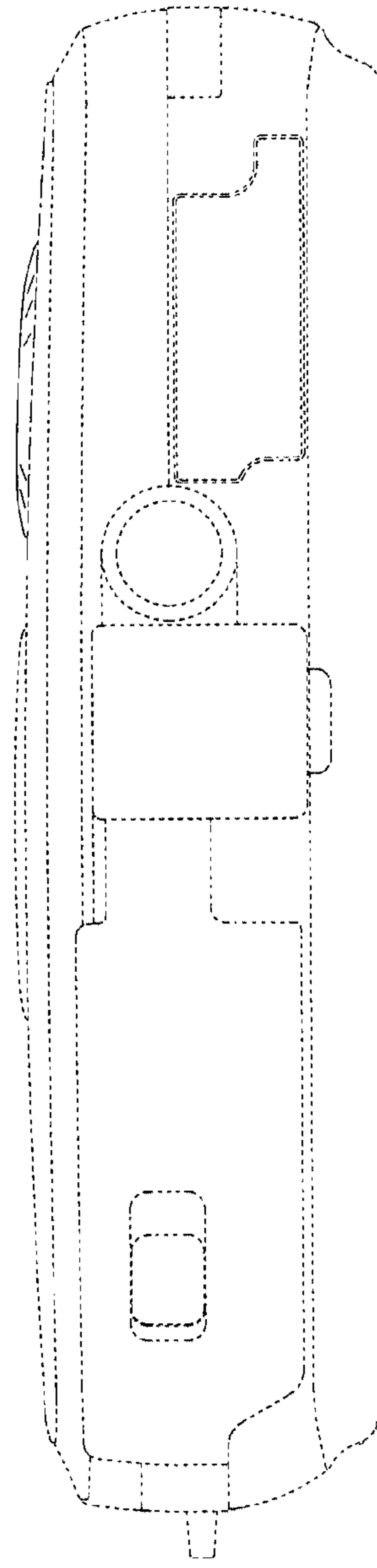


Fig. 15

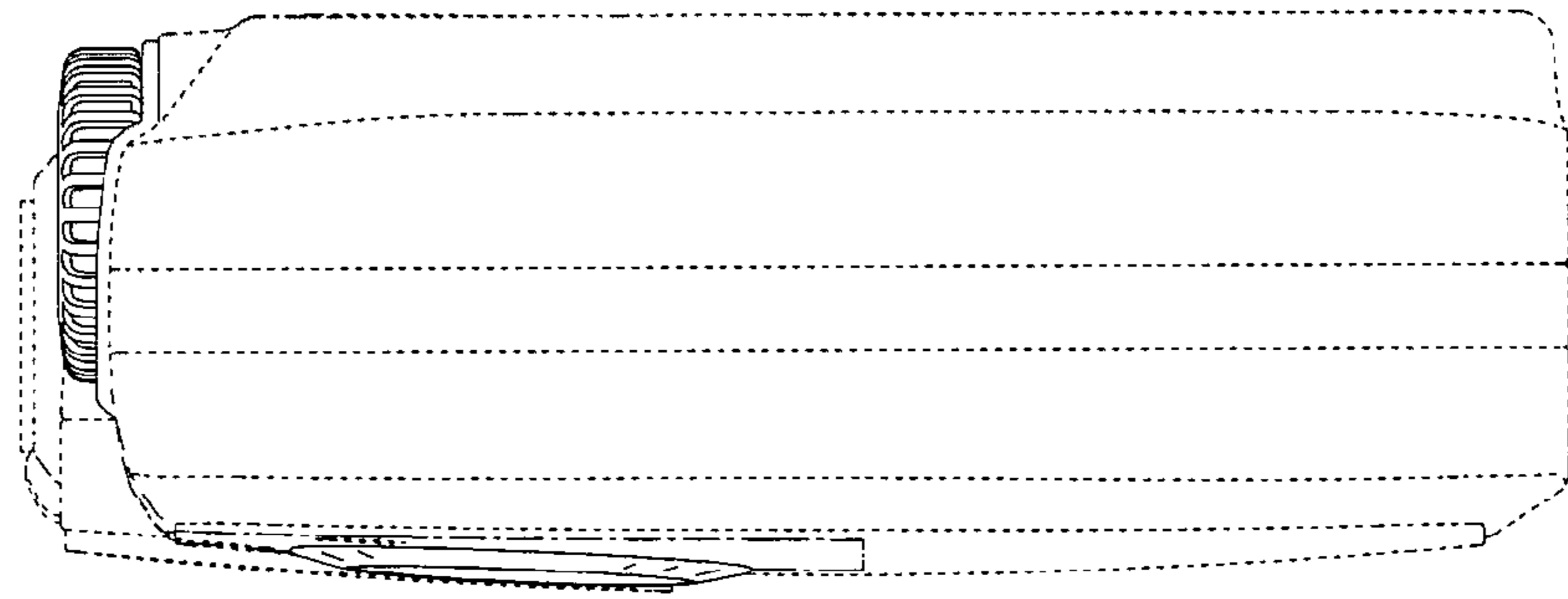


Fig. 16

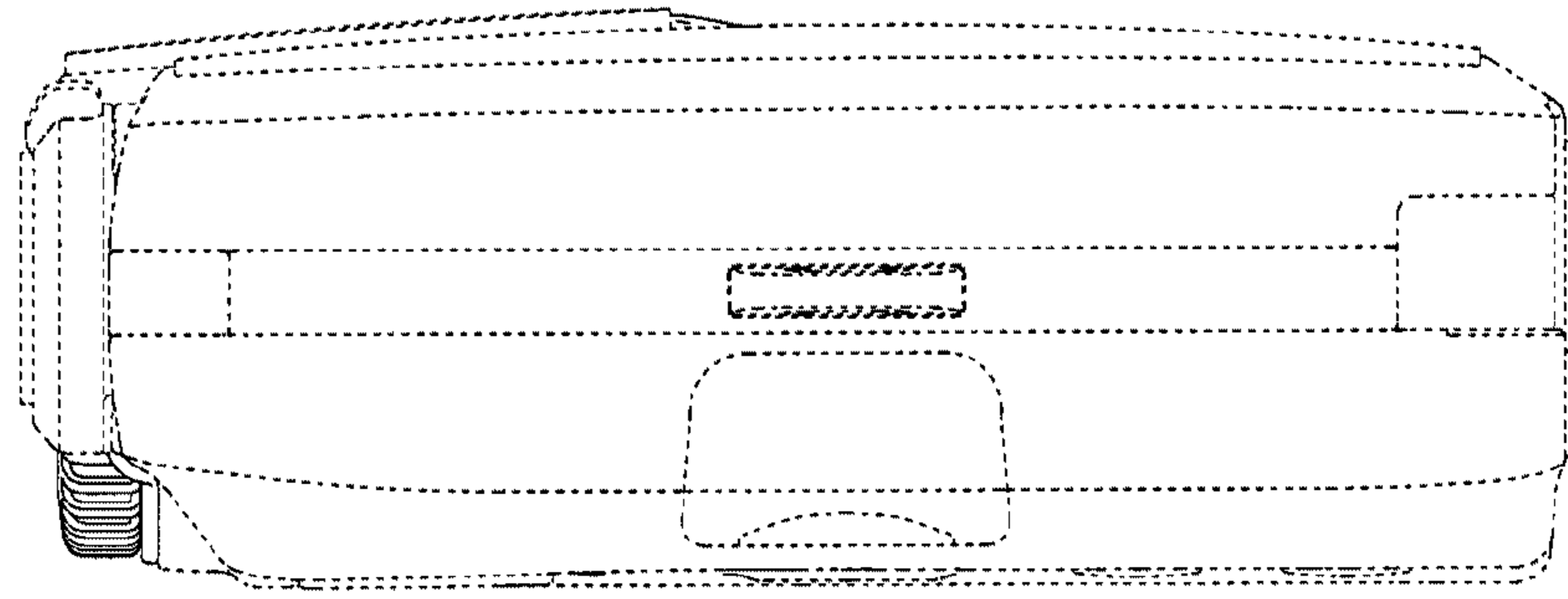


Fig. 17

