



US00D648361S

(12) **United States Design Patent**
Eckhardt

(10) **Patent No.:** **US D648,361 S**

(45) **Date of Patent:** **** Nov. 8, 2011**

(54) **SEALANT BOTTLE FOR TIRE REPAIR KIT**

(75) **Inventor:** **Arnold Eckhardt, Ranstadt (DE)**

(73) **Assignee:** **Sumitomo Rubber Industries, Ltd.,
Kobe (JP)**

(**) **Term:** **14 Years**

(21) **Appl. No.:** **29/393,911**

(22) **Filed:** **Jun. 10, 2011**

(51) **LOC (9) Cl.** **15-99**

(52) **U.S. Cl.** **D15/199**

(58) **Field of Classification Search** D8/105,
D8/499; D15/199; 7/100, 158, 167; 81/15.2;
141/38, 67, 100; 152/415

See application file for complete search history.

(56) **References Cited**

U.S. PATENT DOCUMENTS

6,964,284	B2 *	11/2005	Eckhardt	141/38
7,163,034	B2 *	1/2007	Franks	141/67
D638,867	S *	5/2011	Kojima	D15/199
2003/0024596	A1 *	2/2003	Kojima et al.	141/38
2005/0284536	A1 *	12/2005	Kojima et al.	141/38
2008/0202632	A1 *	8/2008	Hung	141/38
2008/0264540	A1 *	10/2008	Dowel	152/509
2010/0024916	A1 *	2/2010	Dyer	141/100

2010/0108185	A1 *	5/2010	Chou	141/38
2010/0108187	A1 *	5/2010	Lolli	141/38
2010/0206426	A1 *	8/2010	Lolli	141/38
2010/0326565	A1 *	12/2010	Romano	141/100
2011/0041051	A1 *	2/2011	Taylor	715/229
2011/0132491	A1 *	6/2011	Donnay et al.	141/38
2011/0155280	A1 *	6/2011	Eckhardt	141/38

* cited by examiner

Primary Examiner — Patricia Palasik

(74) *Attorney, Agent, or Firm* — Birch, Stewart, Kolasch & Birch, LLP

(57) **CLAIM**

The ornamental design for a sealant bottle for tire repair kit, as shown and described.

DESCRIPTION

FIG. 1 is a front, left perspective view of a sealant bottle for tire repair kit showing my new design;

FIG. 2 is a rear, right perspective view thereof;

FIG. 3 is a front view thereof;

FIG. 4 is a rear view thereof;

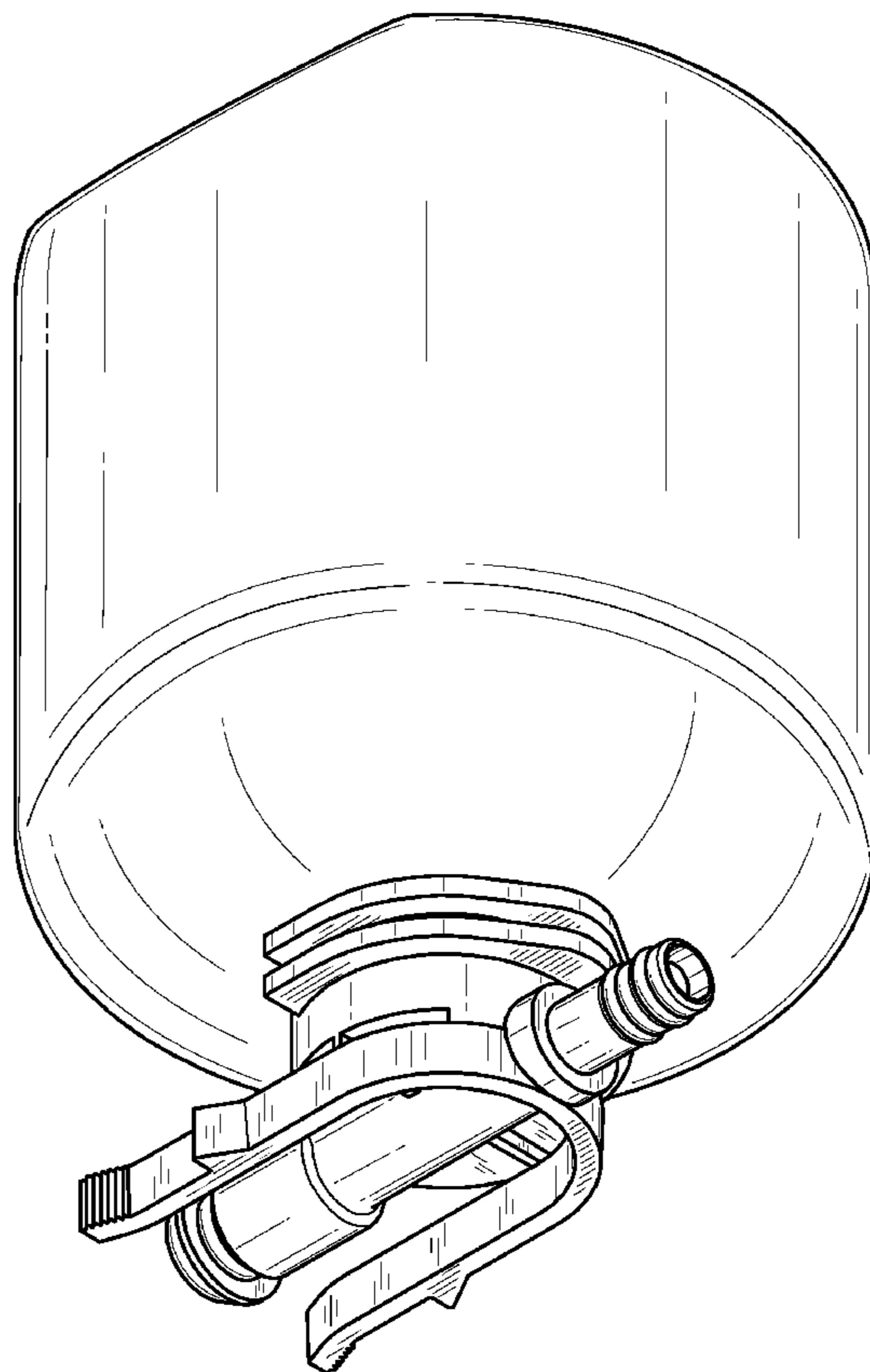
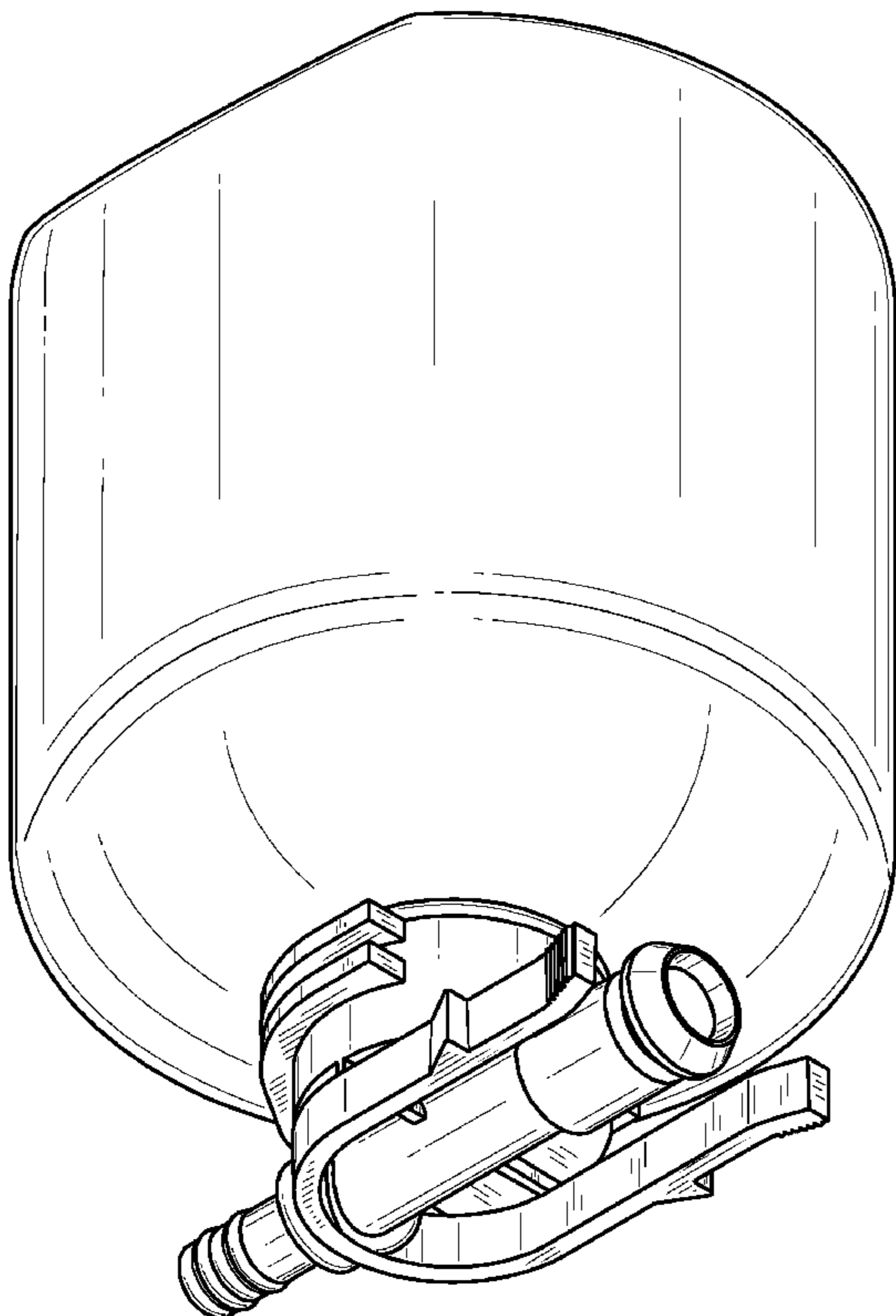
FIG. 5 is a left side view thereof;

FIG. 6 is a bottom view thereof; and,

FIG. 7 is a top view thereof.

The right side view is a mirror image of the left side view.

1 Claim, 7 Drawing Sheets



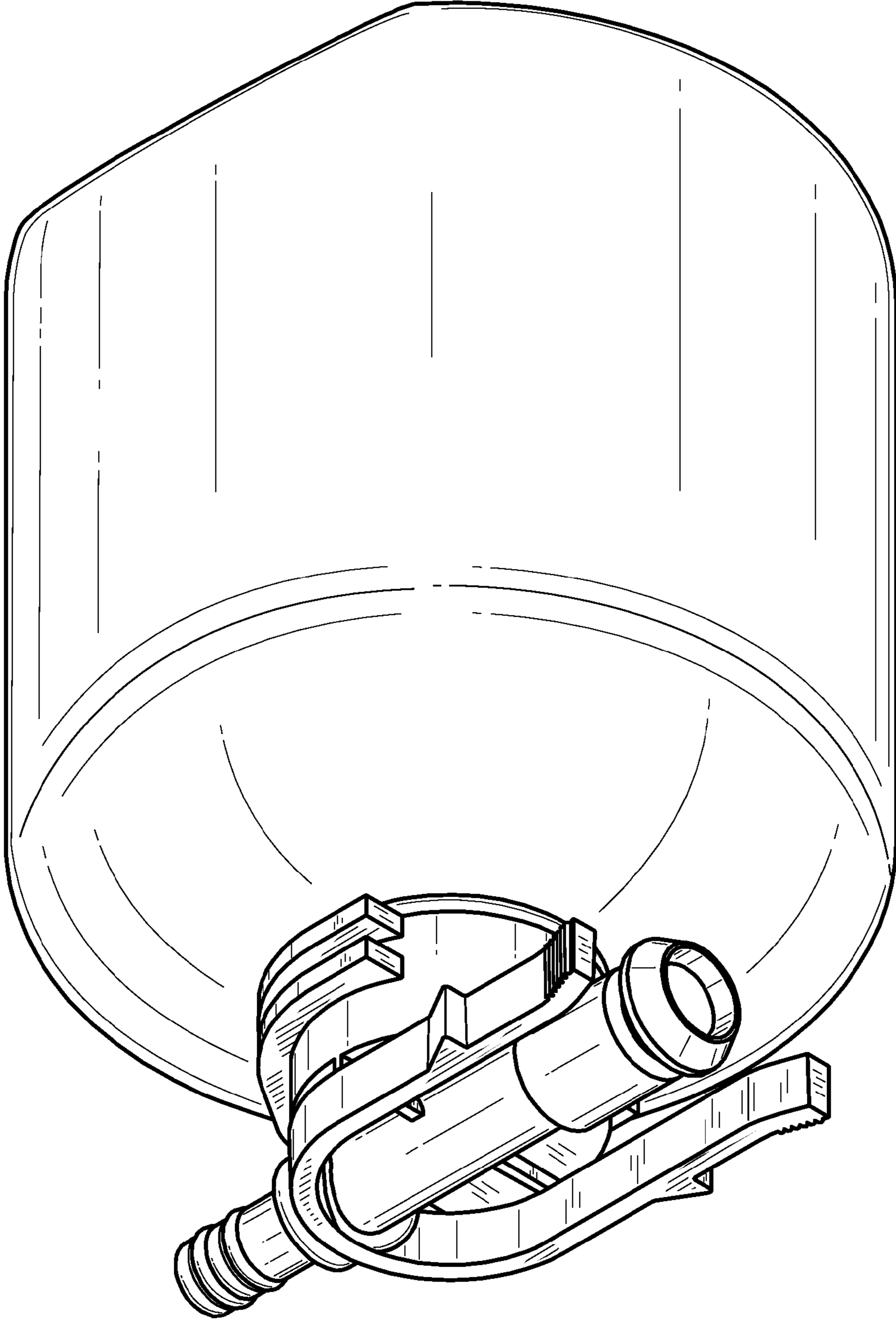


FIG. 1

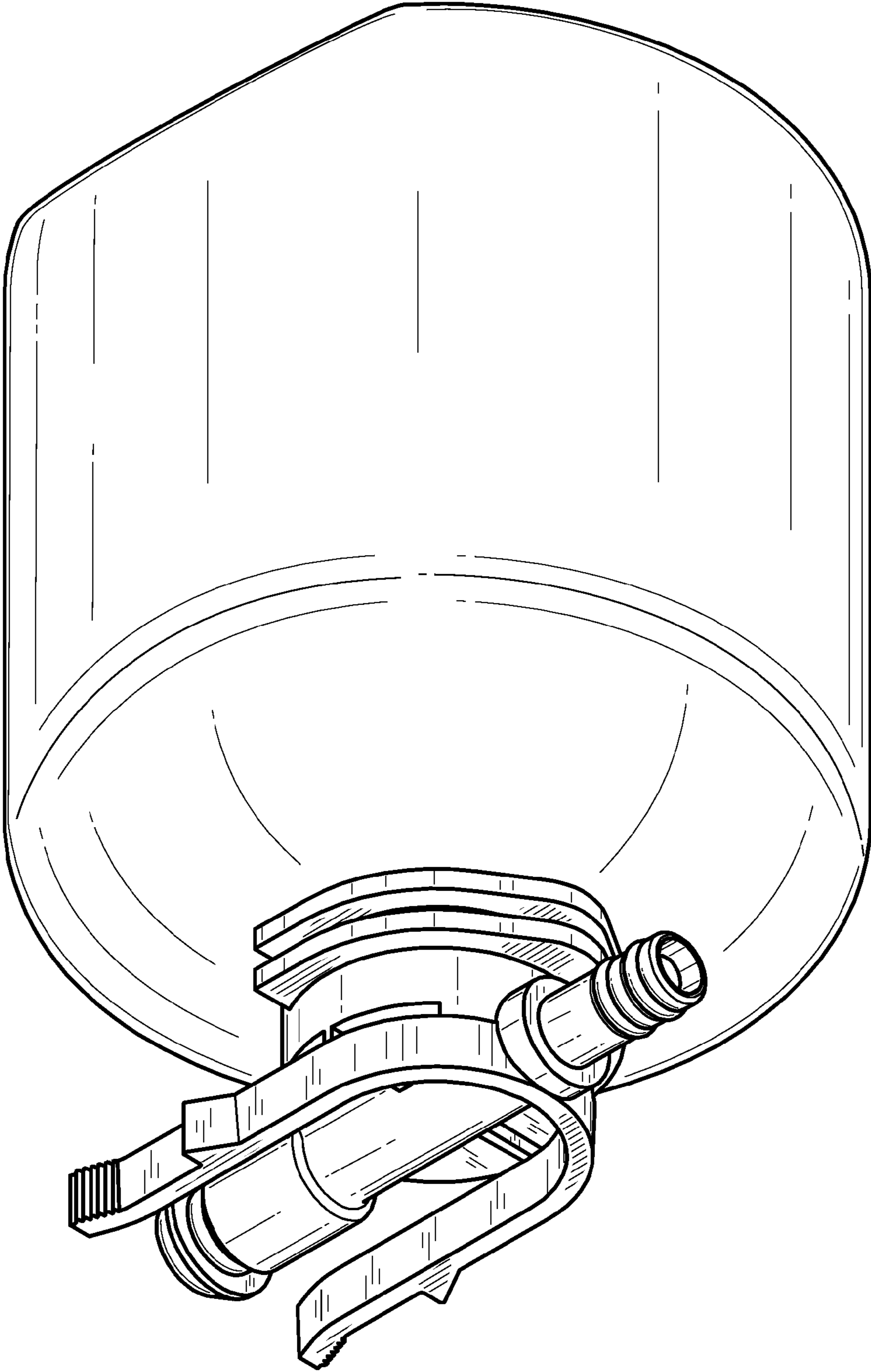


FIG. 2

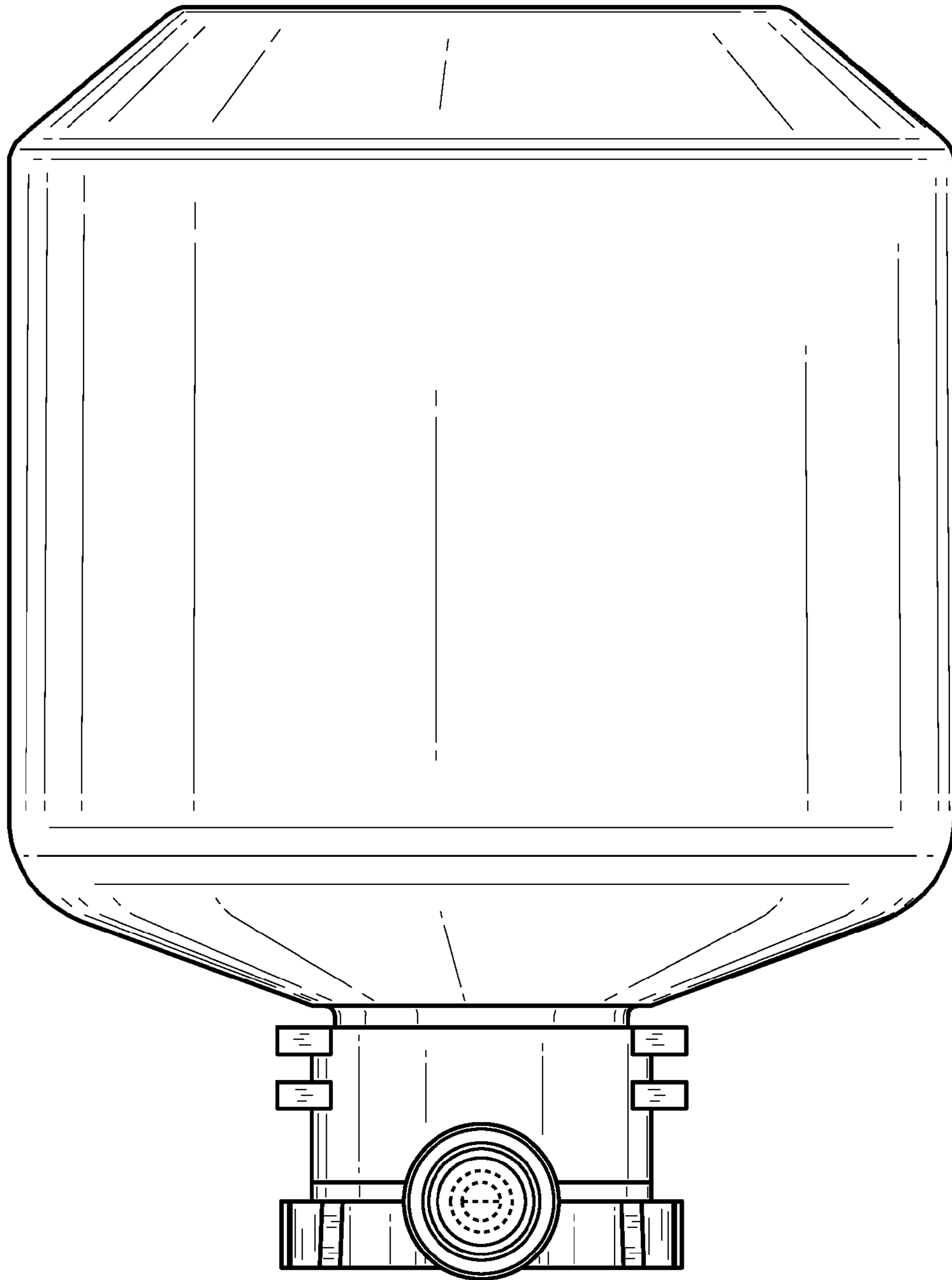


FIG. 3

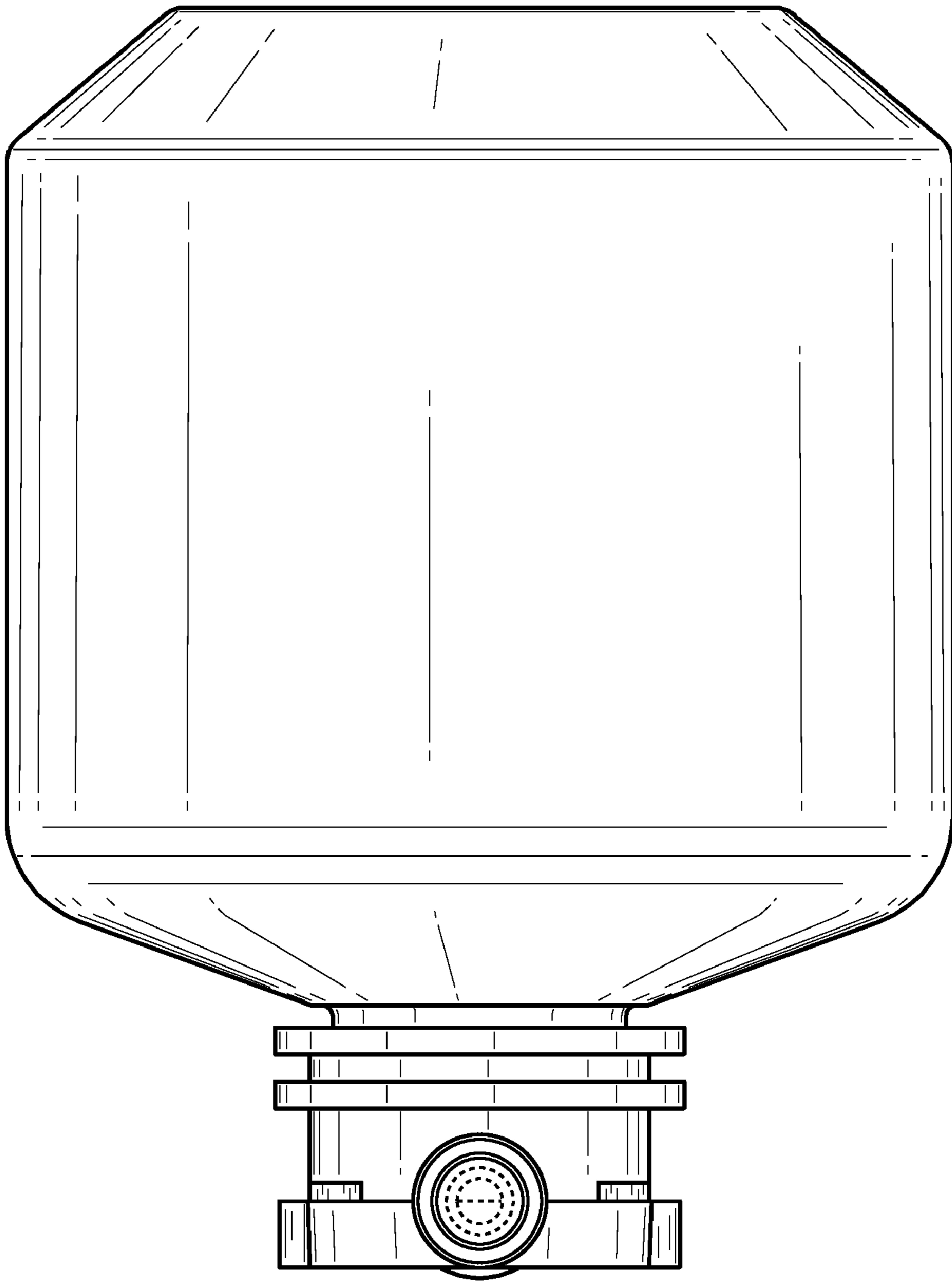


FIG. 4

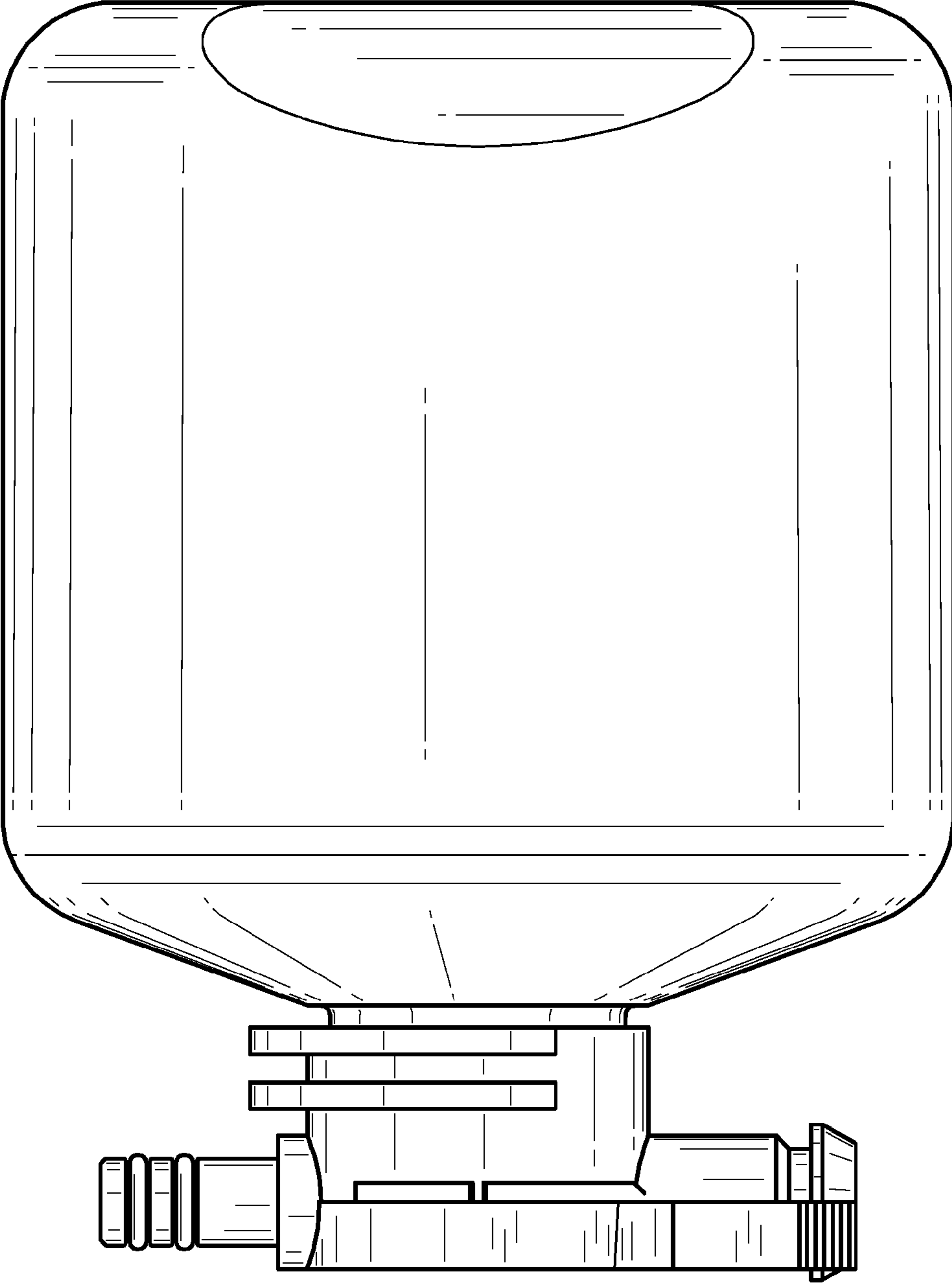


FIG. 5

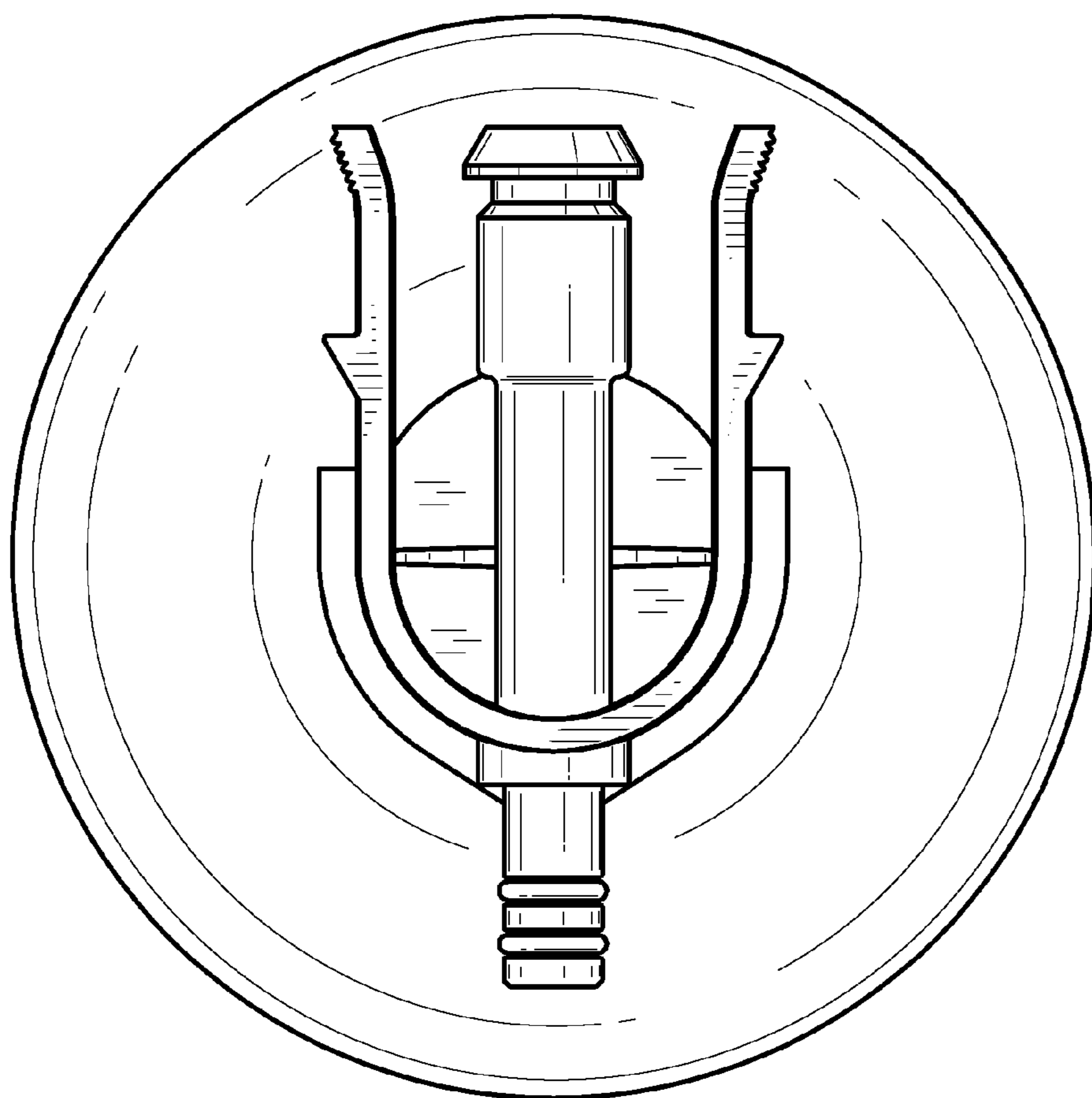


FIG. 6

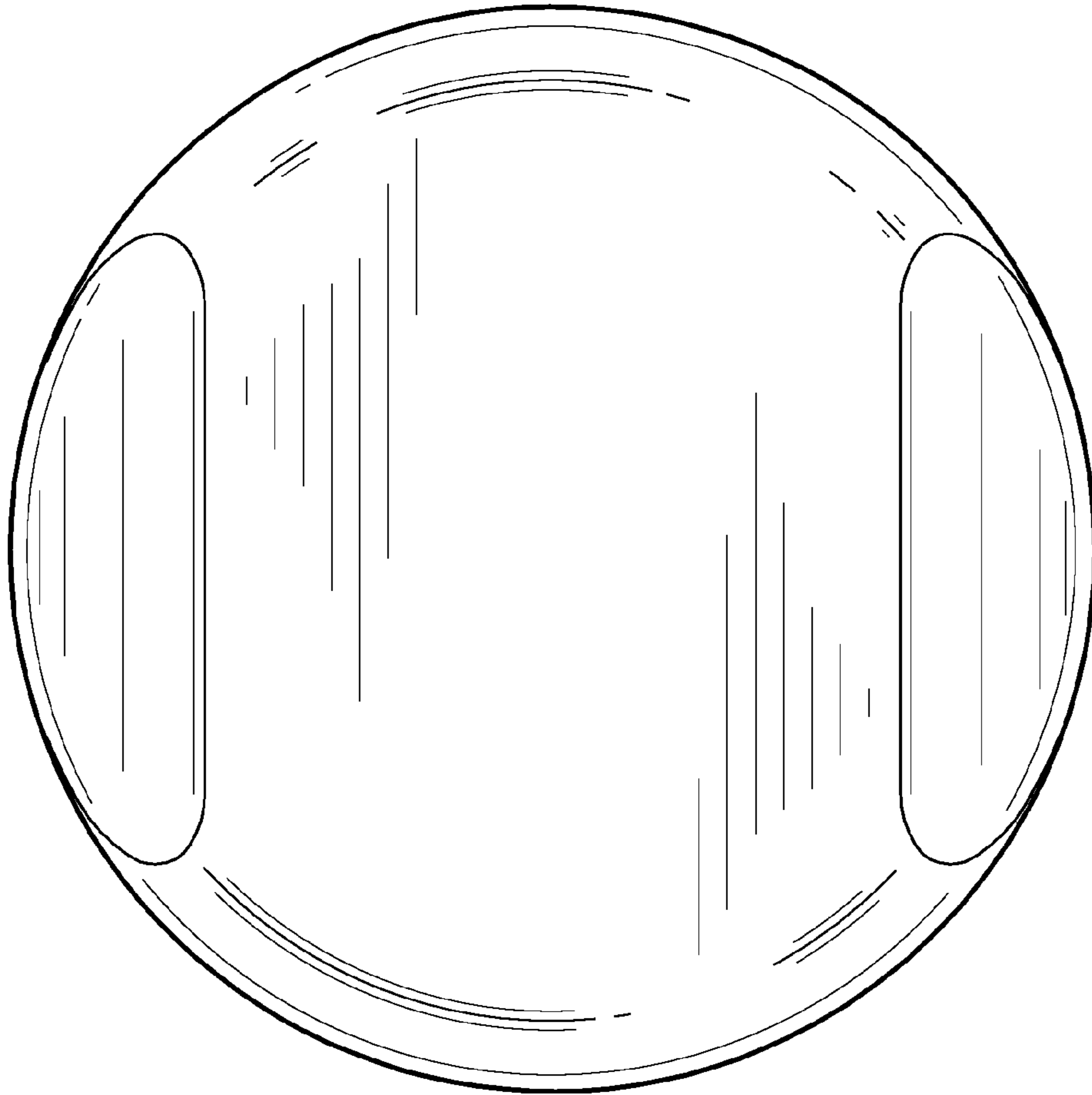


FIG. 7