



US00D648360S

(12) **United States Design Patent**  
**Allen**

(10) **Patent No.:** **US D648,360 S**

(45) **Date of Patent:** **\*\* Nov. 8, 2011**

(54) **ACTUATOR BRIDGE**

(75) Inventor: **Nathan S. Allen**, Indianapolis, IN (US)

(73) Assignee: **Positron Corporation**, Fishers, IN (US)

(\*\*) Term: **14 Years**

(21) Appl. No.: **29/372,205**

(22) Filed: **Oct. 28, 2010**

(51) **LOC (9) Cl.** ..... **15-99**

(52) **U.S. Cl.** ..... **D15/145**

(58) **Field of Classification Search** ..... D6/512,  
D6/545; D8/70; D24/110; D13/158; D15/138,  
D15/140, 199; D25/89, 116; 53/268, 273;  
62/188, 390; 128/200.21, 203.15; 141/98,  
141/174; 222/23, 64, 65, 129.1, 129.3, 161,  
222/164, 234, 636; 366/141, 142; 399/258;  
425/150

See application file for complete search history.

(56) **References Cited**

**U.S. PATENT DOCUMENTS**

|              |      |         |                  |            |
|--------------|------|---------|------------------|------------|
| 4,364,666    | A *  | 12/1982 | Keyes            | 366/142    |
| 4,566,287    | A *  | 1/1986  | Schmidt et al.   | 62/188     |
| 4,728,005    | A *  | 3/1988  | Jacobs et al.    | 222/64     |
| 4,850,515    | A *  | 7/1989  | Cleland          | 222/161    |
| D458,788     | S *  | 6/2002  | Real             | D6/545     |
| D605,753     | S *  | 12/2009 | Smutney et al.   | D24/110    |
| 2006/0261095 | A1 * | 11/2006 | Rebordosa et al. | 222/234    |
| 2007/0039981 | A1 * | 2/2007  | Kindler          | 222/636    |
| 2007/0091717 | A1 * | 4/2007  | Steinwald        | 366/141    |
| 2008/0236702 | A1 * | 10/2008 | Platsch          | 141/98     |
| 2009/0000615 | A1 * | 1/2009  | Pohlmann et al.  | 128/200.21 |

|              |      |         |                      |          |
|--------------|------|---------|----------------------|----------|
| 2009/0044490 | A1 * | 2/2009  | Schlipf et al.       | 53/268   |
| 2009/0232922 | A1 * | 9/2009  | Schlipf et al.       | 425/150  |
| 2009/0245881 | A1 * | 10/2009 | Schlageter et al.    | 399/258  |
| 2010/0192993 | A1 * | 8/2010  | Housmekerides et al. | 134/56 D |

\* cited by examiner

*Primary Examiner* — Patricia Palasik

(74) *Attorney, Agent, or Firm* — Taft Stettinius & Hollister LLP

(57) **CLAIM**

I claim the ornamental design for an actuator bridge, as shown and described.

**DESCRIPTION**

FIG. 1 is a top perspective view of an actuator bridge of the present claimed design;

FIG. 2 is a top plan view of the actuator bridge shown in FIG. 1;

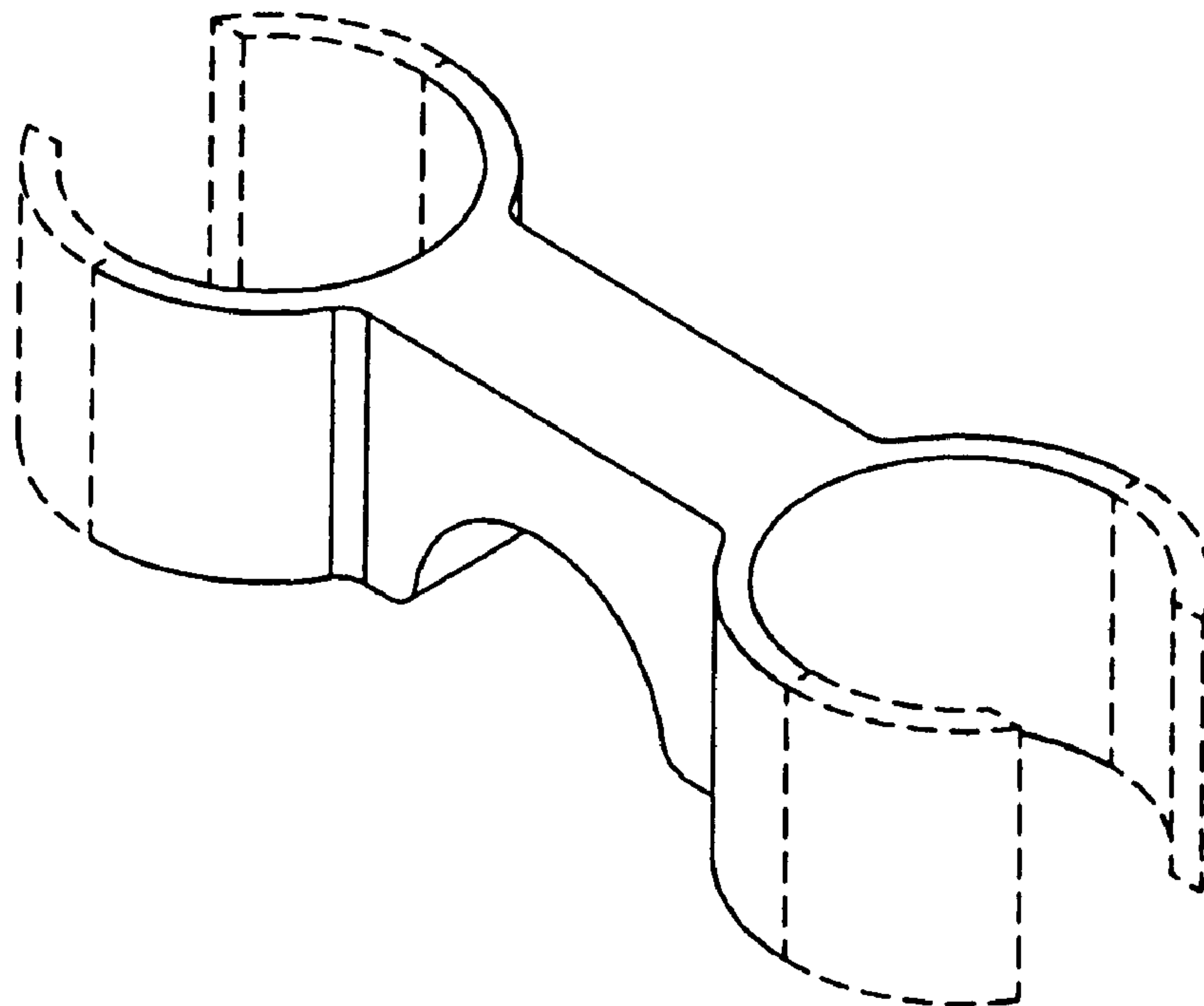
FIG. 3 is a longitudinal side elevation view of the actuator bridge shown in FIG. 1, the other longitudinal side elevation view being identical thereto;

FIG. 4 is a bottom plan view of the actuator bridge shown in FIG. 1; and,

FIG. 5 is a latitudinal side elevation view of the actuator bridge shown in FIG. 1, the other latitudinal side elevation view being identical thereto.

Features shown in broken lines in the drawing form no part of the claimed design.

**1 Claim, 5 Drawing Sheets**



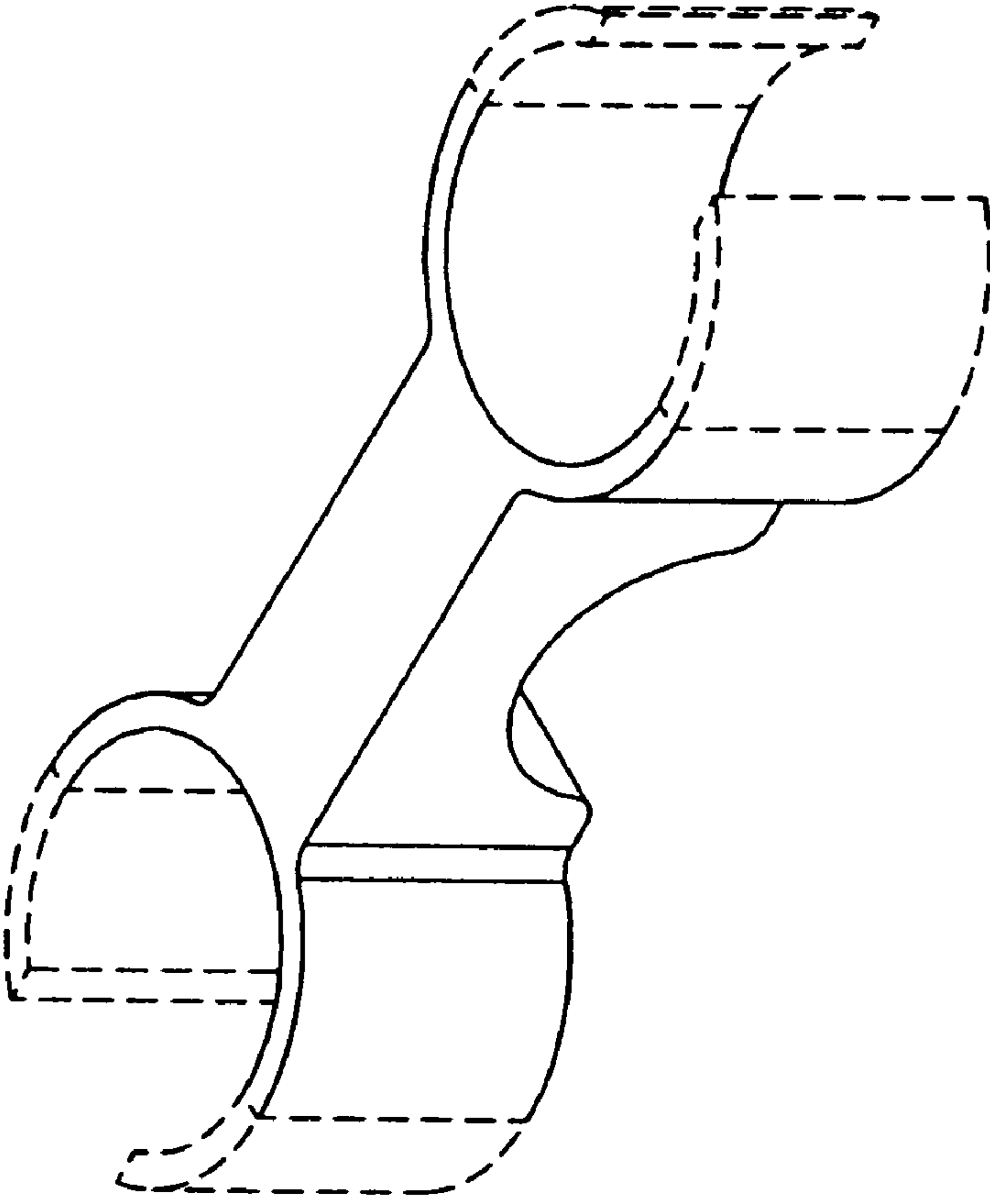


FIG. 1

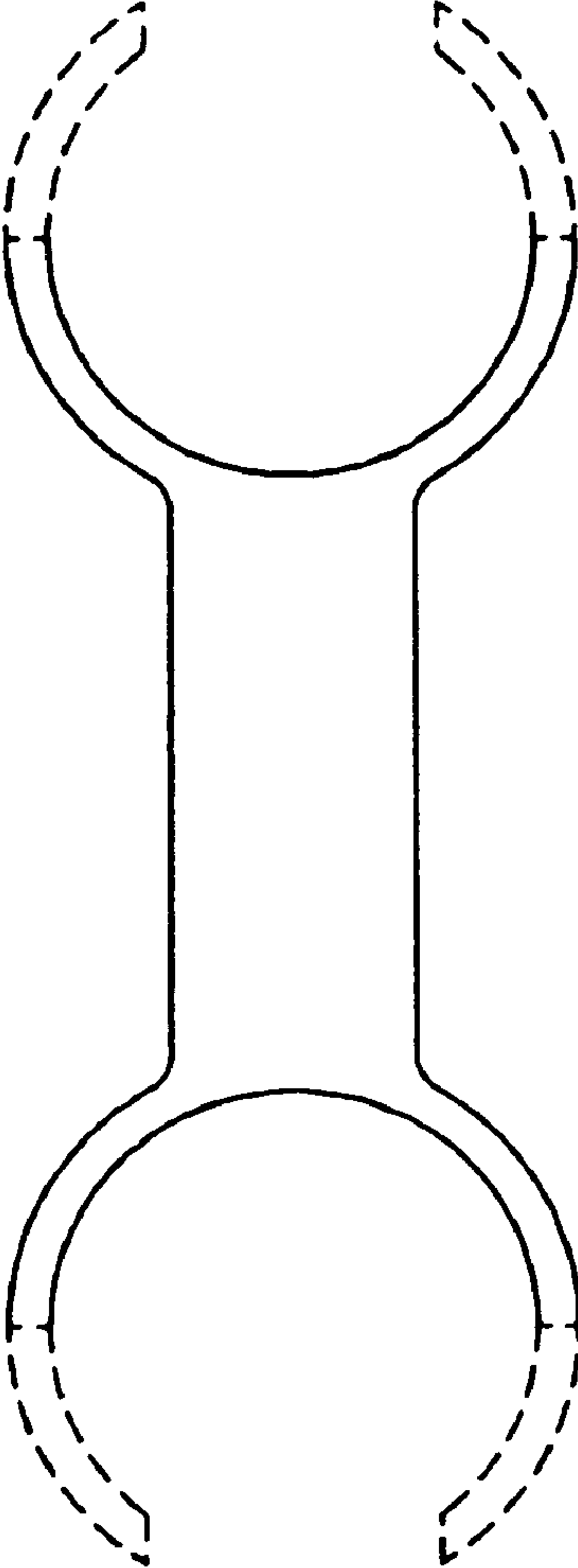


FIG. 2

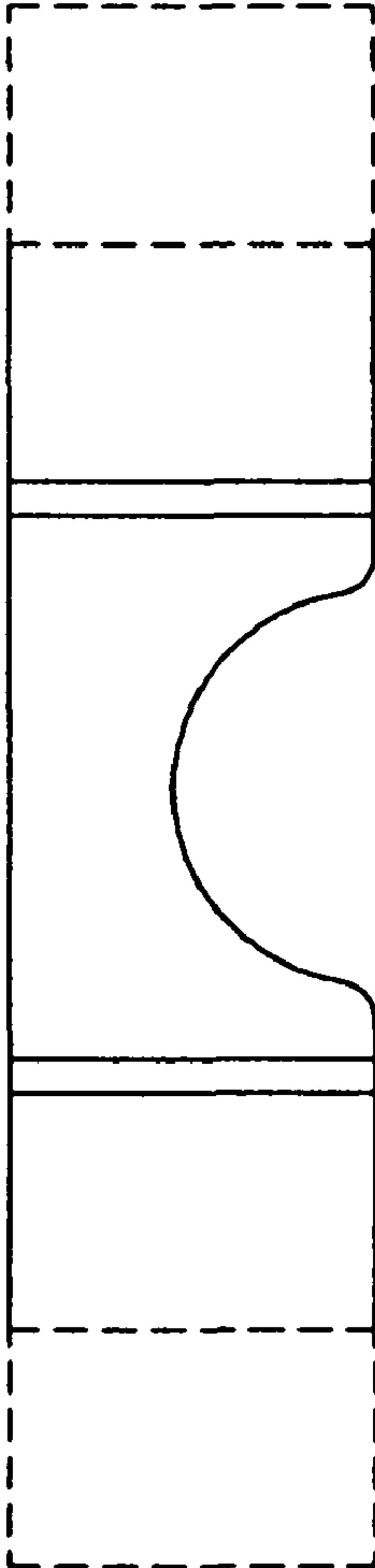


FIG. 3

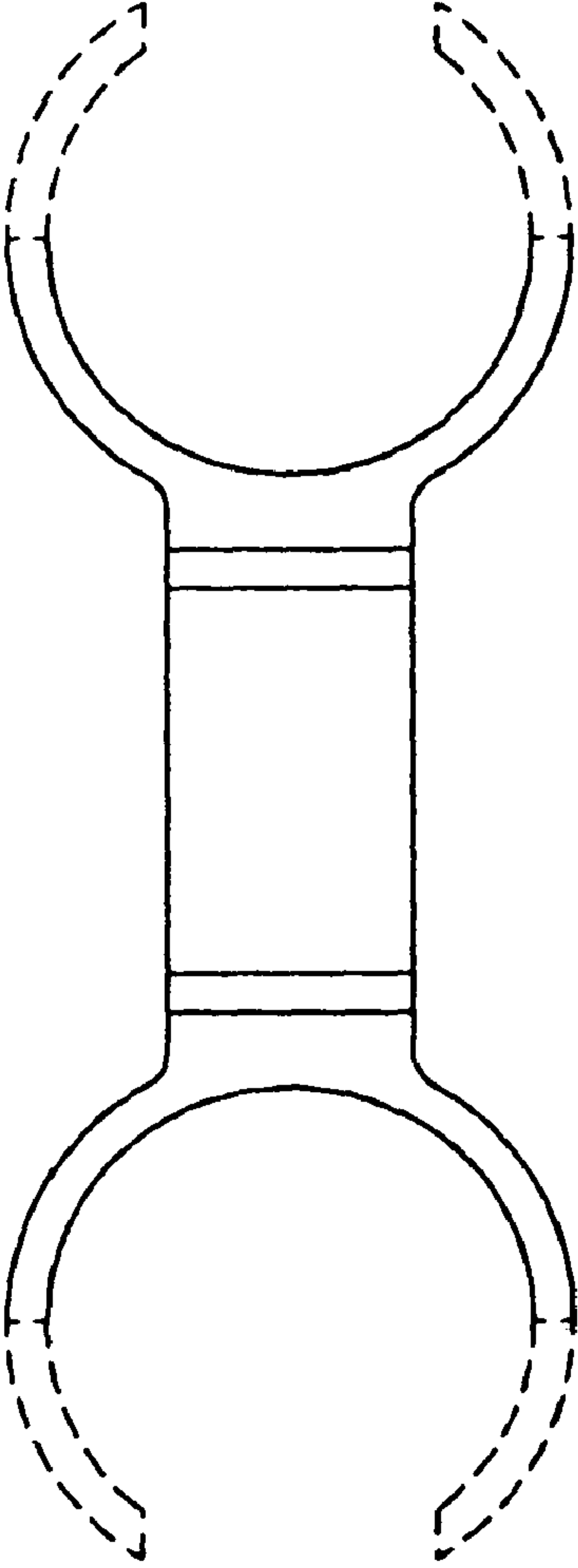
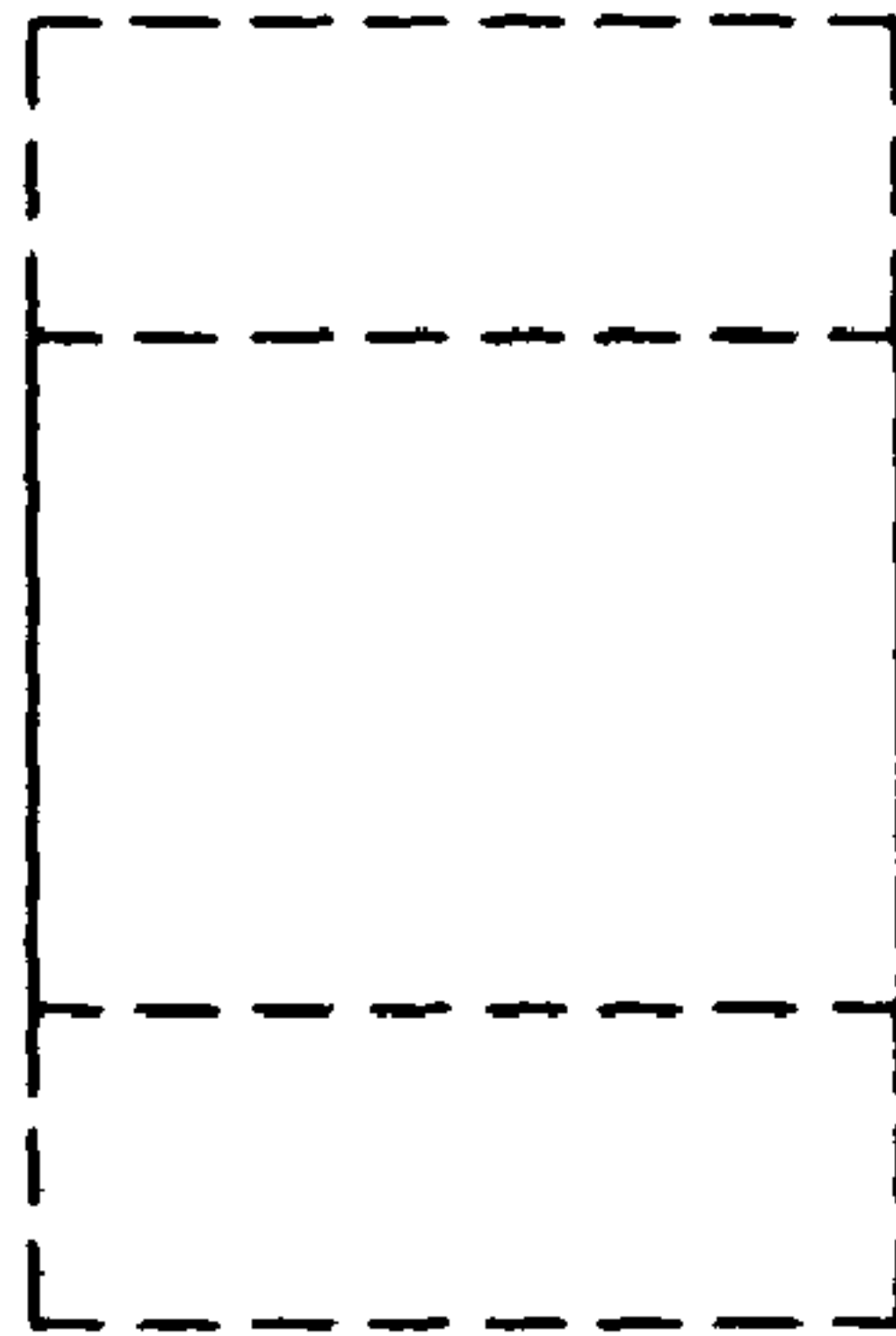


FIG. 4



**FIG. 5**