



US00D648358S

(12) **United States Design Patent**  
**Nonobe**

(10) **Patent No.:** **US D648,358 S**

(45) **Date of Patent:** **\*\* Nov. 8, 2011**

(54) **EMBROIDERY MACHINE**

(75) Inventor: **Fumihiko Nonobe**, Inuyama (JP)

(73) Assignee: **Brother Industries, Ltd.**, Nagoya (JP)

(\*\*) Term: **14 Years**

(21) Appl. No.: **29/362,928**

(22) Filed: **Jun. 2, 2010**

(30) **Foreign Application Priority Data**

Dec. 2, 2009 (JP) ..... 2009-28124

(51) **LOC (9) Cl.** ..... **15-06**

(52) **U.S. Cl.** ..... **D15/72**

(58) **Field of Classification Search** ..... D15/66-70;  
112/217.1-217.4, 255-261, 102.5, 103, 227,  
112/470.05; 312/208.5

See application file for complete search history.

(56) **References Cited**

**U.S. PATENT DOCUMENTS**

D416,027 S \* 11/1999 Ueyama ..... D15/69  
D492,702 S \* 7/2004 Suwa et al. .... D15/66  
D570,882 S \* 6/2008 Lee ..... D15/66

2010/0236463 A1\* 9/2010 Fujihara et al. .... 112/470.05

\* cited by examiner

*Primary Examiner* — Mitchell Siegel

(74) *Attorney, Agent, or Firm* — Oliff & Berridge, PLC

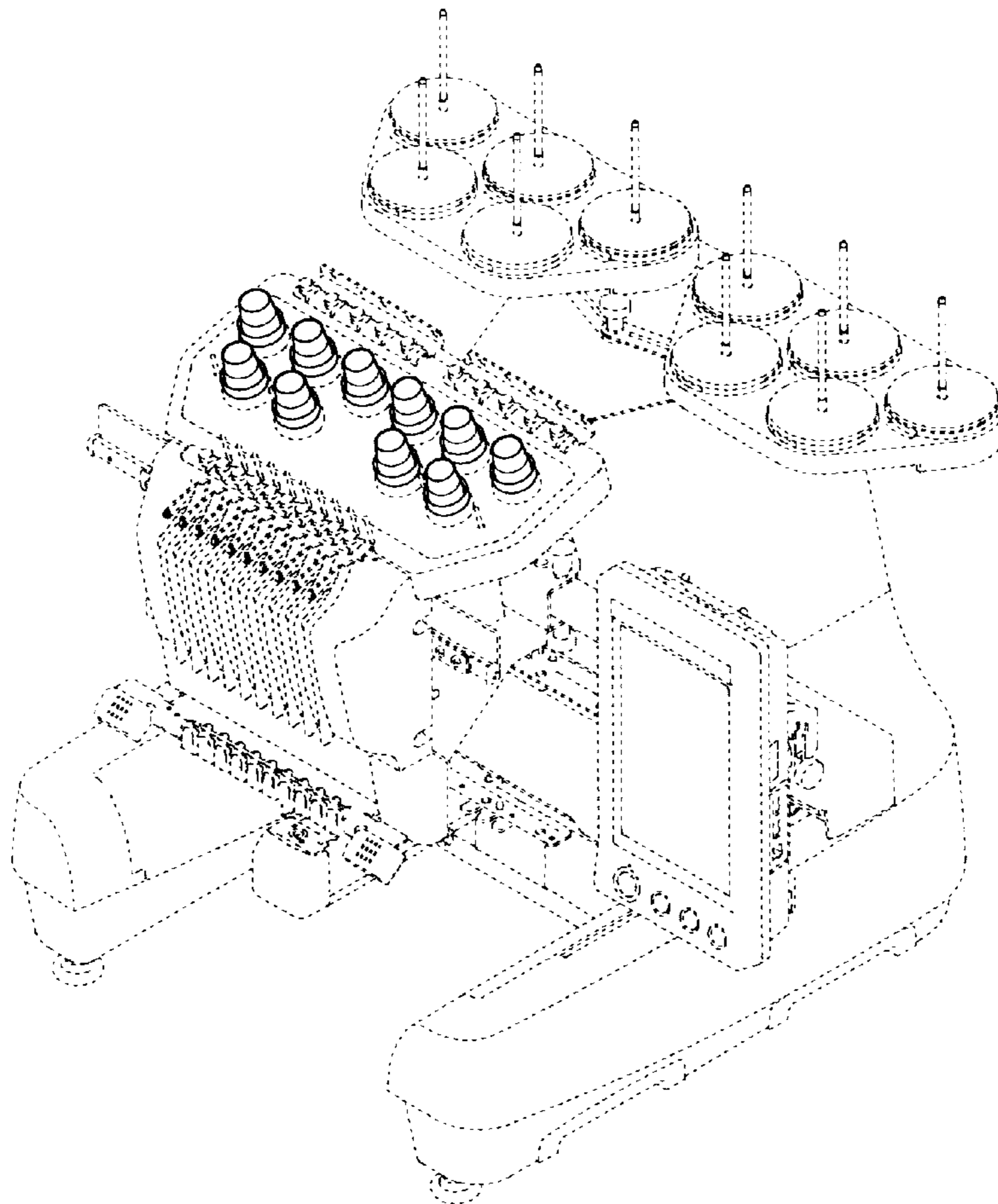
(57) **CLAIM**

The ornamental design for an embroidery machine, as shown and described.

**DESCRIPTION**

FIG. 1 is a perspective view of an embroidery machine; FIG. 2 is a front view thereof; FIG. 3 is a top view thereof; FIG. 4 is a right-side view thereof; FIG. 5 is a left-side view thereof; FIG. 6 is a rear view thereof; and, FIG. 7 is an enlarged cross sectional view thereof, the cross section taken along lines C-C in FIG. 4, and the enlargement defined by lines A-A in FIG. 4 and lines B-B in FIG. 3. The broken lines depict environmental subject matter only and form no part of the claimed design.

**1 Claim, 7 Drawing Sheets**



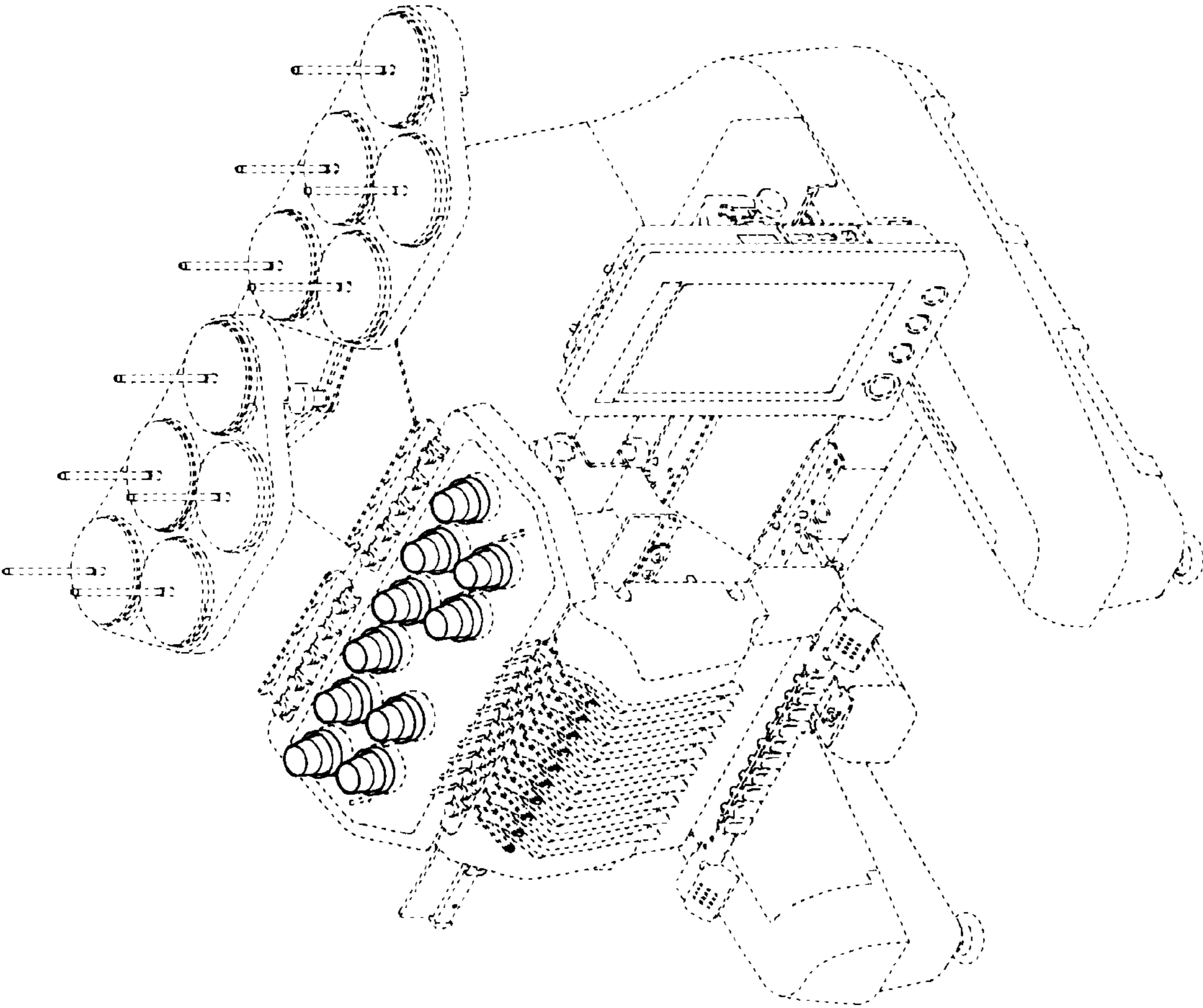


FIG. 1

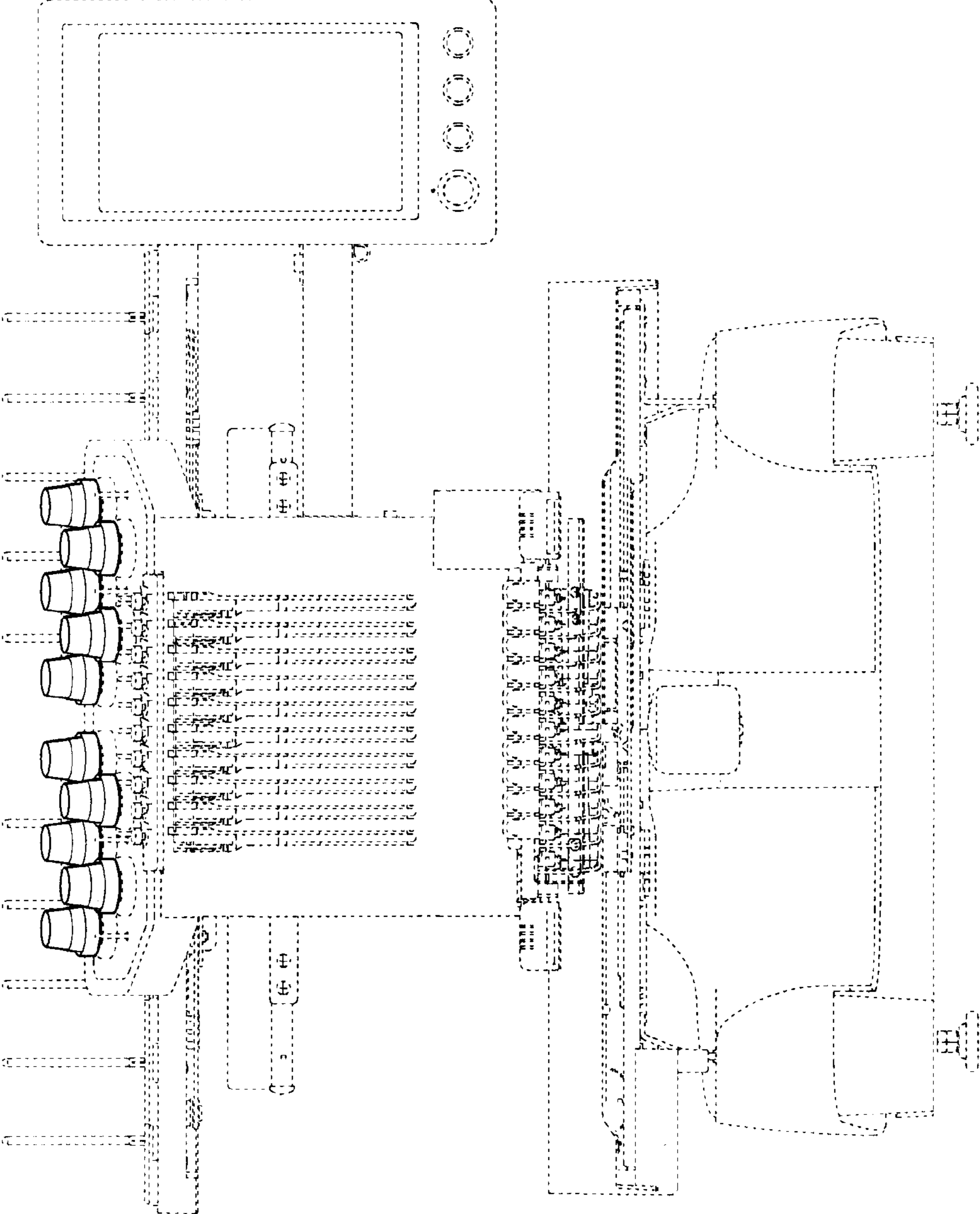


FIG. 2

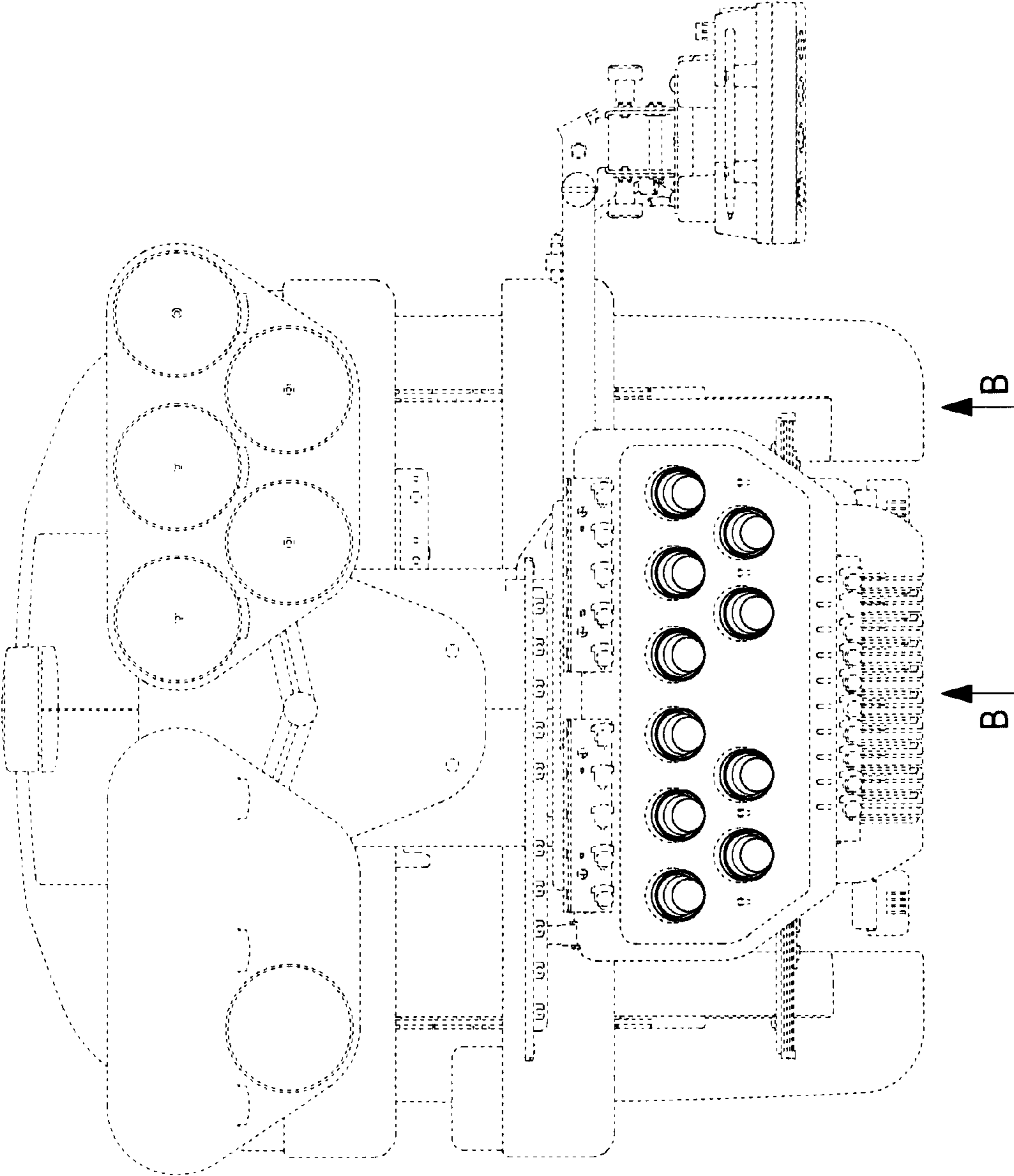


FIG. 3



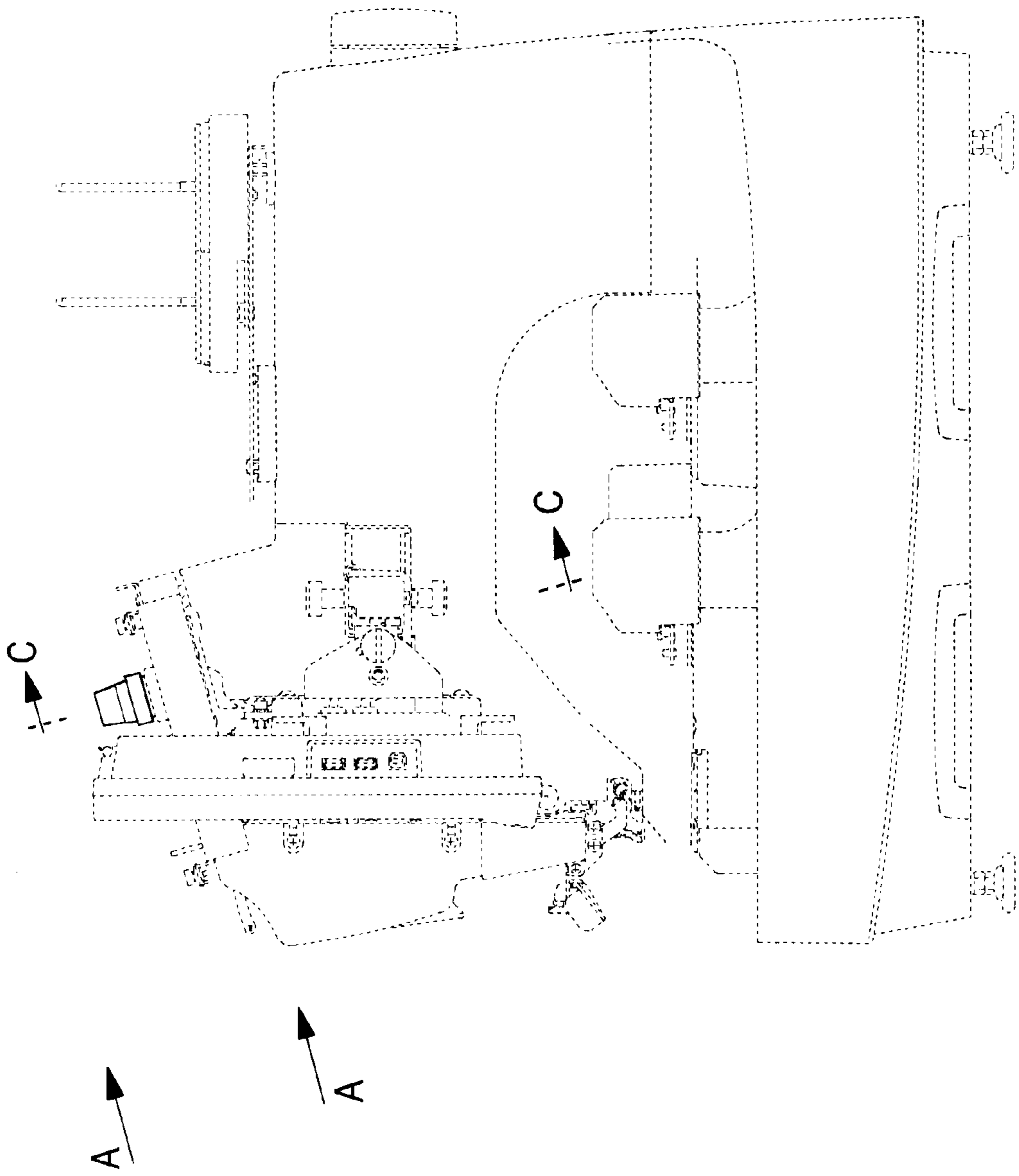


FIG. 4

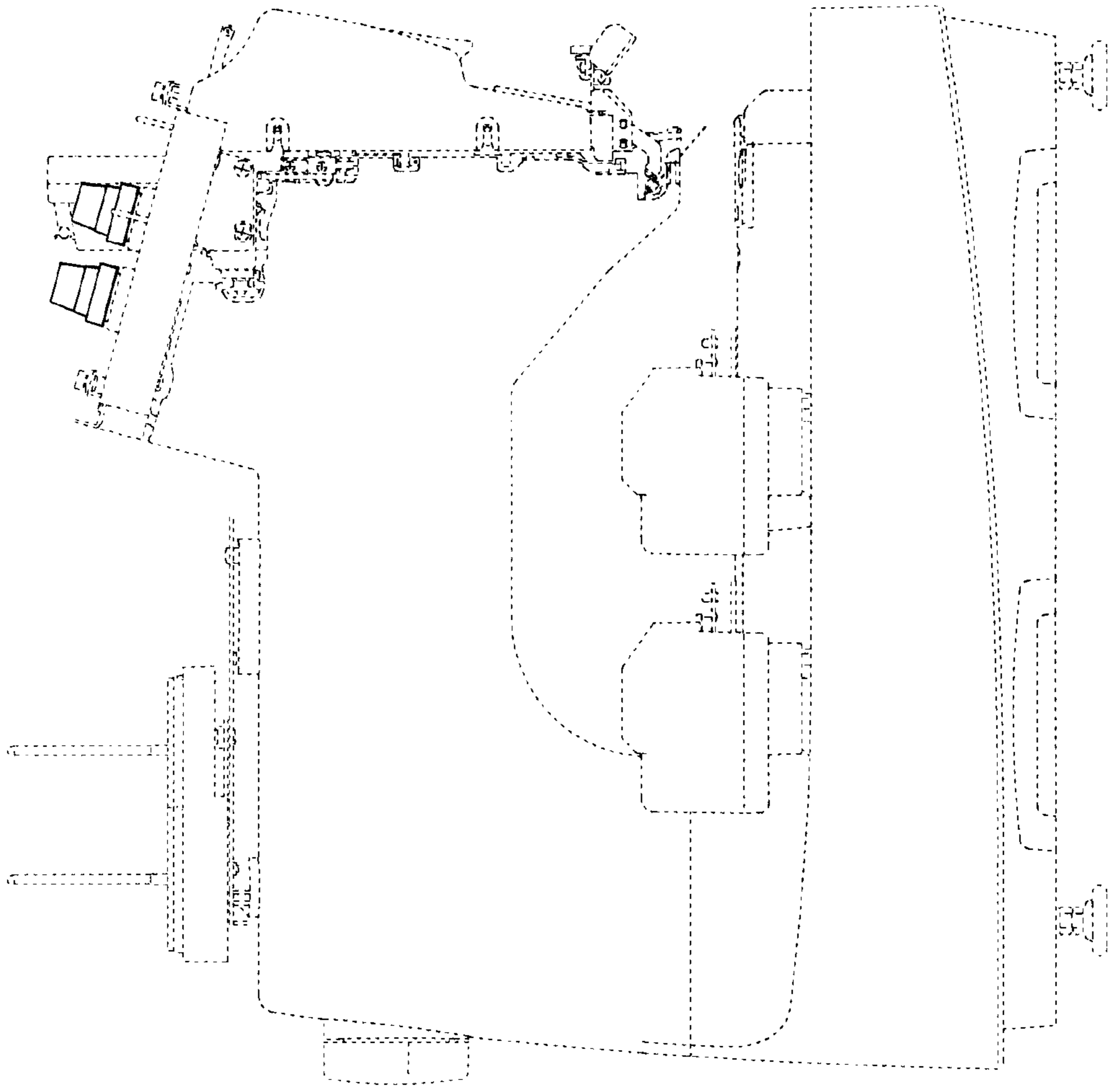


FIG. 5

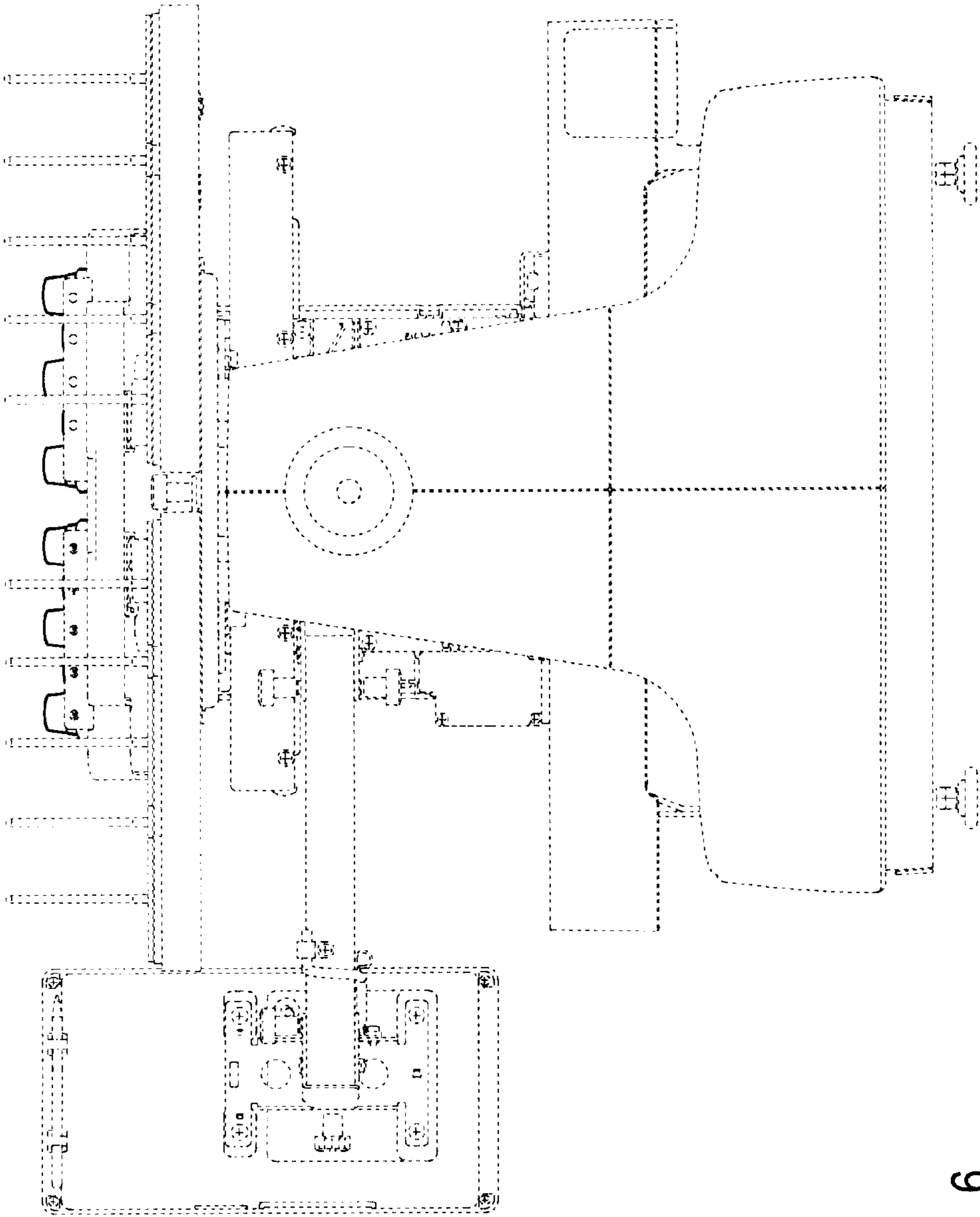


FIG. 6

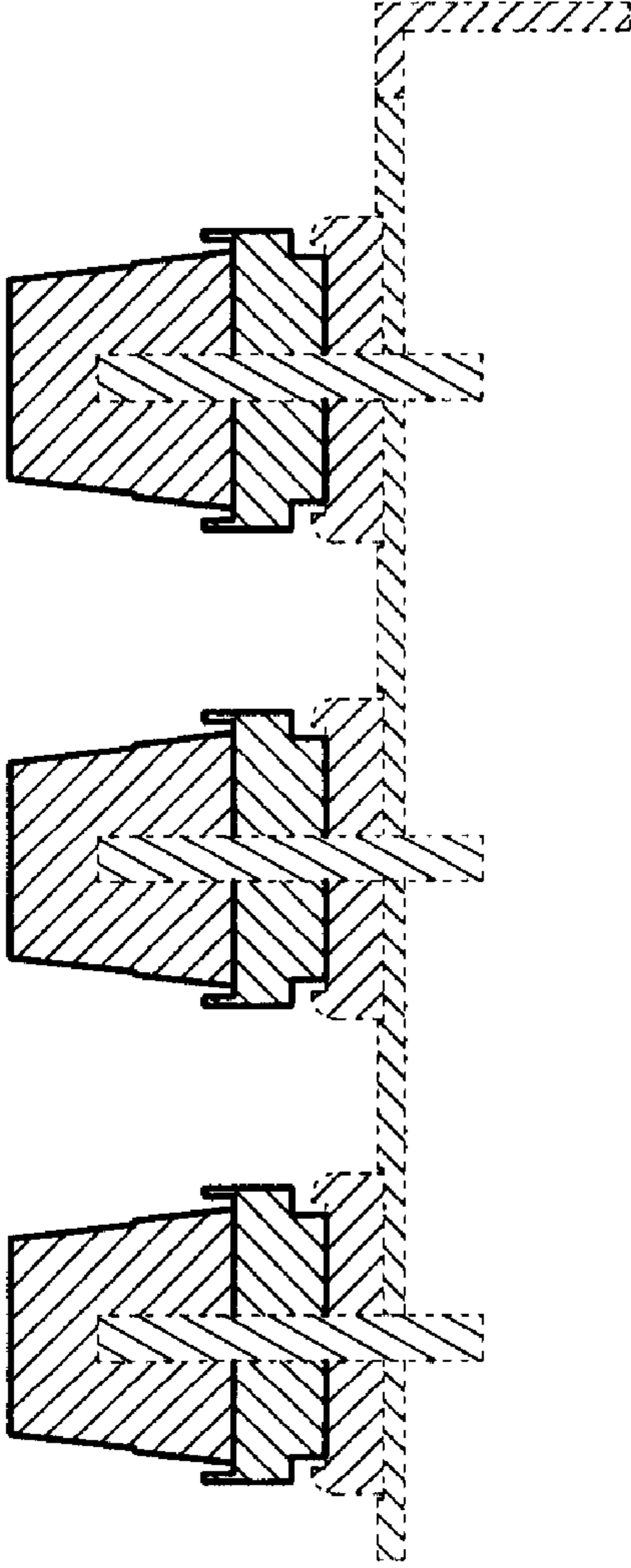


FIG. 7