



US00D648354S

(12) **United States Design Patent**
Hattori et al.

(10) **Patent No.:** **US D648,354 S**

(45) **Date of Patent:** **** Nov. 8, 2011**

(54) **MOWER**

(75) Inventors: **Kazunori Hattori**, Aichi (JP); **Shinsuke Okuda**, Aichi (JP)

(73) Assignee: **Makita Corporation**, Anjo-shi (JP)

(**) Term: **14 Years**

(21) Appl. No.: **29/397,612**

(22) Filed: **Jul. 19, 2011**

(30) **Foreign Application Priority Data**

Mar. 16, 2011 (JP) 2011-006059

(51) **LOC (9) Cl.** **15-03**

(52) **U.S. Cl.** **D15/17; D15/14**

(58) **Field of Classification Search** D15/10,
D15/14-18; 56/12.8, 12.7, 13.4, 16.7, 17.5,
56/202, 254, 255, 294, 11.4, 320.1, 320.2,
56/249, 252, 11.9, 17.1, 17.4, 295; 280/43.17
See application file for complete search history.

(56) **References Cited**

U.S. PATENT DOCUMENTS

4,312,174	A	*	1/1982	Vanderhoef	56/320.2
D274,250	S	*	6/1984	Allen et al.	D15/14
D276,047	S	*	10/1984	Sasaki	D15/14
D307,911	S	*	5/1990	Miyawaki et al.	D15/14
D317,165	S	*	5/1991	Schweitz et al.	D15/14
D319,447	S	*	8/1991	Oshima et al.	D15/14
D330,210	S	*	10/1992	Sirois et al.	D15/14
5,251,711	A	*	10/1993	Meyer et al.	180/19.1
D381,665	S	*	7/1997	Hinklin et al.	D15/14
D384,083	S	*	9/1997	Hinklin	D15/14
5,676,117	A	*	10/1997	Williams	123/527
D421,265	S	*	2/2000	Ohsumi et al.	D15/14
D449,840	S	*	10/2001	Concari et al.	D15/14

D450,064	S	*	11/2001	Concari et al.	D15/14
D456,030	S	*	4/2002	Maeda	D15/14
D458,277	S	*	6/2002	Stratford	D15/14
D460,973	S	*	7/2002	Jong	D15/14
D461,830	S	*	8/2002	Stratford et al.	D15/14
D489,734	S	*	5/2004	Lin	D15/14
D497,918	S	*	11/2004	Osborne et al.	D15/14
D500,054	S	*	12/2004	Jager	D15/14
RE39,338	E	*	10/2006	Stratford	D15/14
D610,167	S	*	2/2010	Martin et al.	D15/14
D622,291	S	*	8/2010	Martin et al.	D15/14

FOREIGN PATENT DOCUMENTS

EM	001193312-0001	1/2010
EM	001193312-0002	1/2010

* cited by examiner

Primary Examiner — Mark Goodwin

(74) *Attorney, Agent, or Firm* — Posz Law Group, PLC

(57) **CLAIM**

The ornamental design for a mower, as shown and described.

DESCRIPTION

FIG. 1 is a perspective view of top, front, and right side of a mower showing our new design;

FIG. 2 is a front view thereof;

FIG. 3 is a rear view thereof;

FIG. 4 is a top view thereof;

FIG. 5 is a bottom view thereof;

FIG. 6 is a left side view thereof;

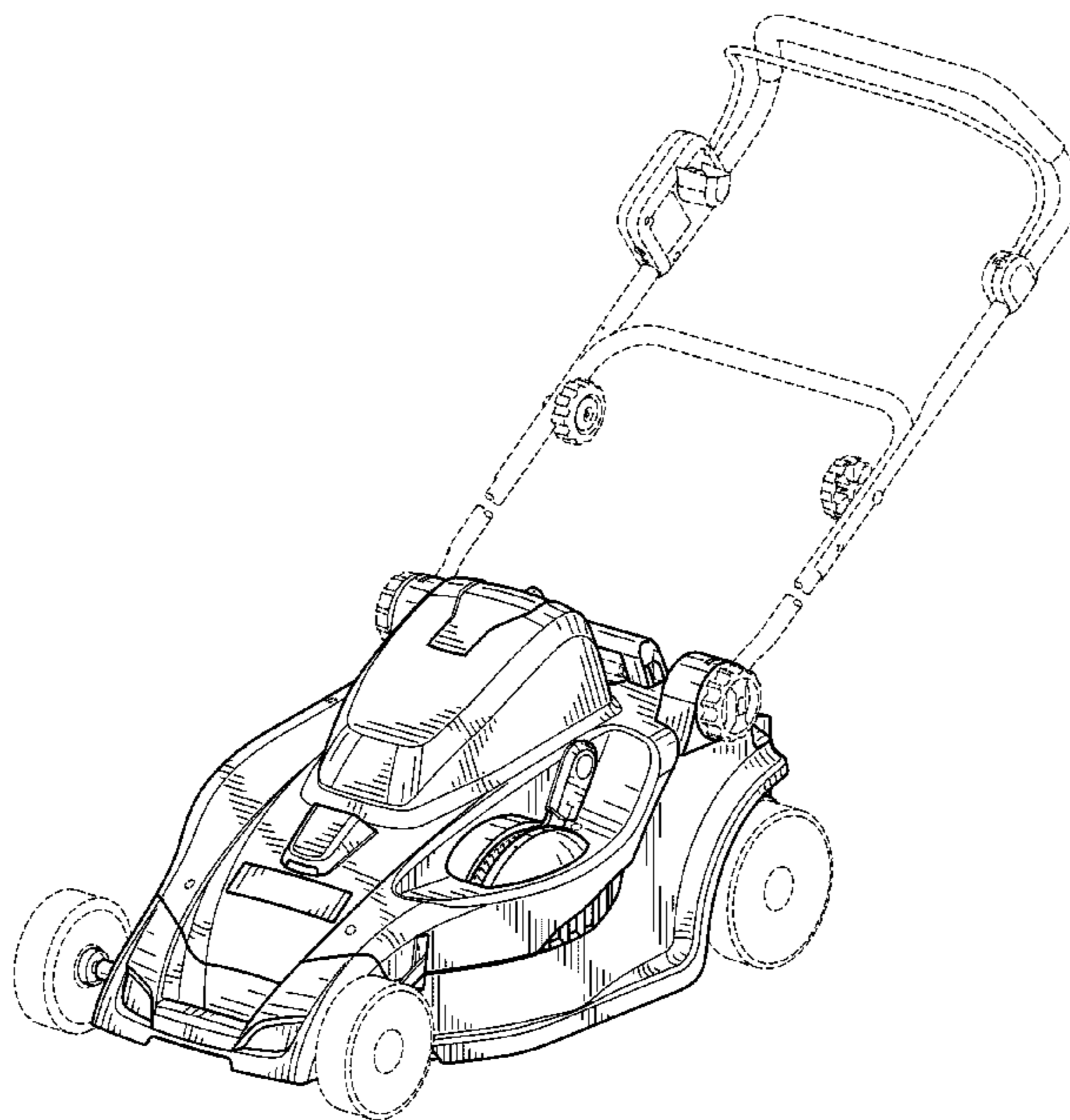
FIG. 7 is a right side view thereof;

FIG. 8 is an alternate perspective view thereof; and,

FIG. 9 is a perspective view of top, front, and right side with detachable grass catcher.

The broken lines and the areas within the broken lines are included for illustrative purposes only and form no part of the claimed design.

1 Claim, 9 Drawing Sheets



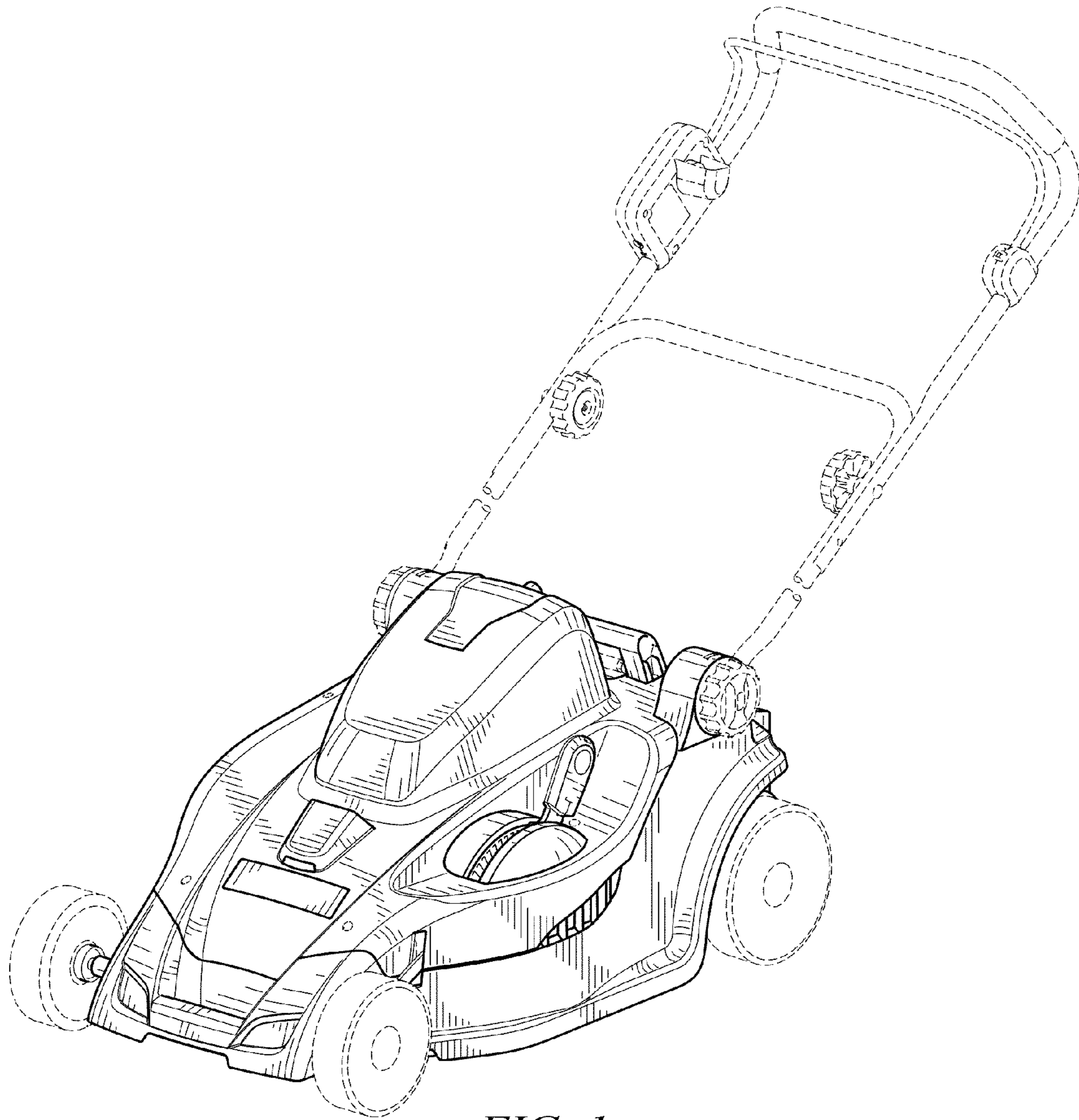


FIG. 1

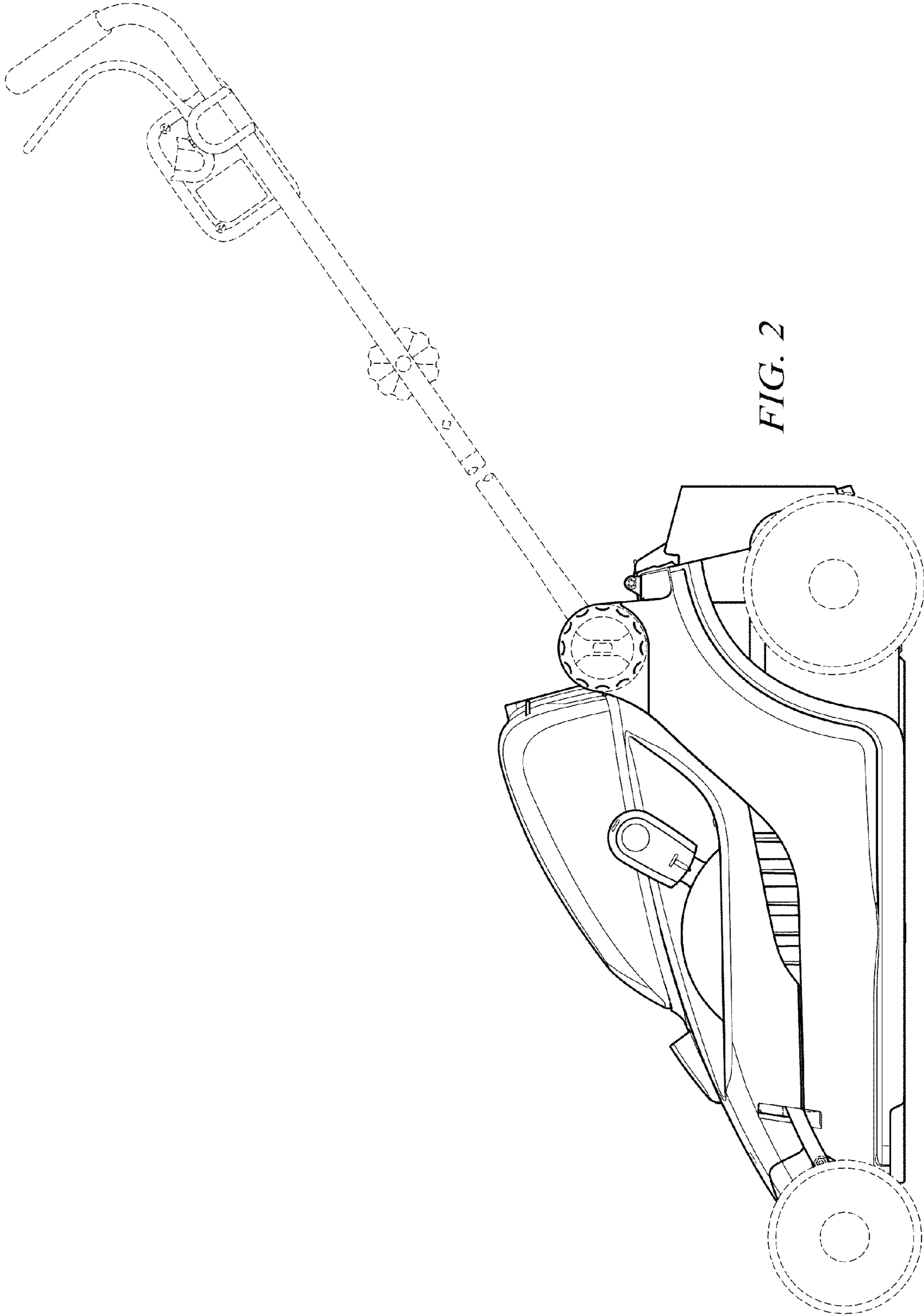


FIG. 2

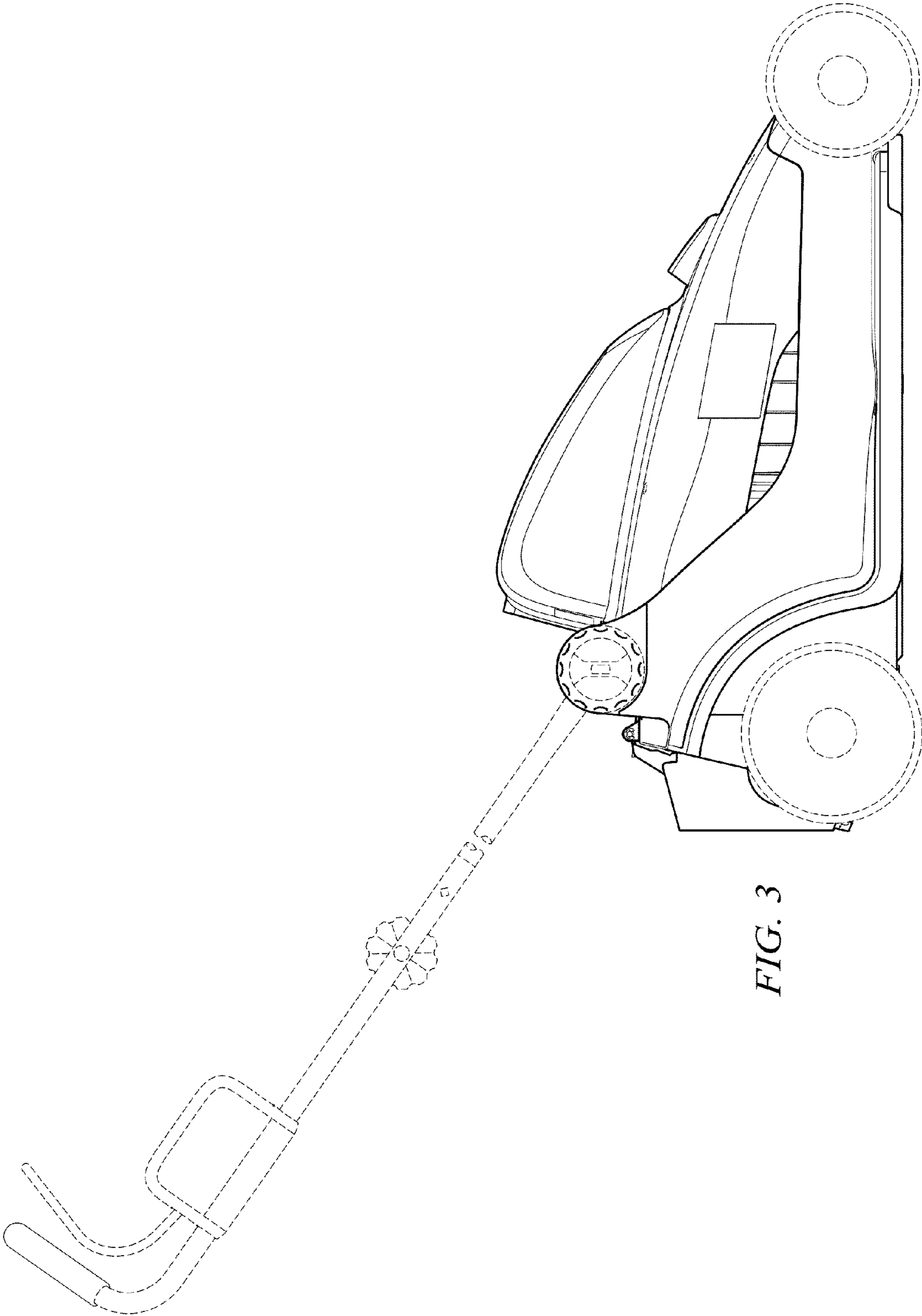


FIG. 3

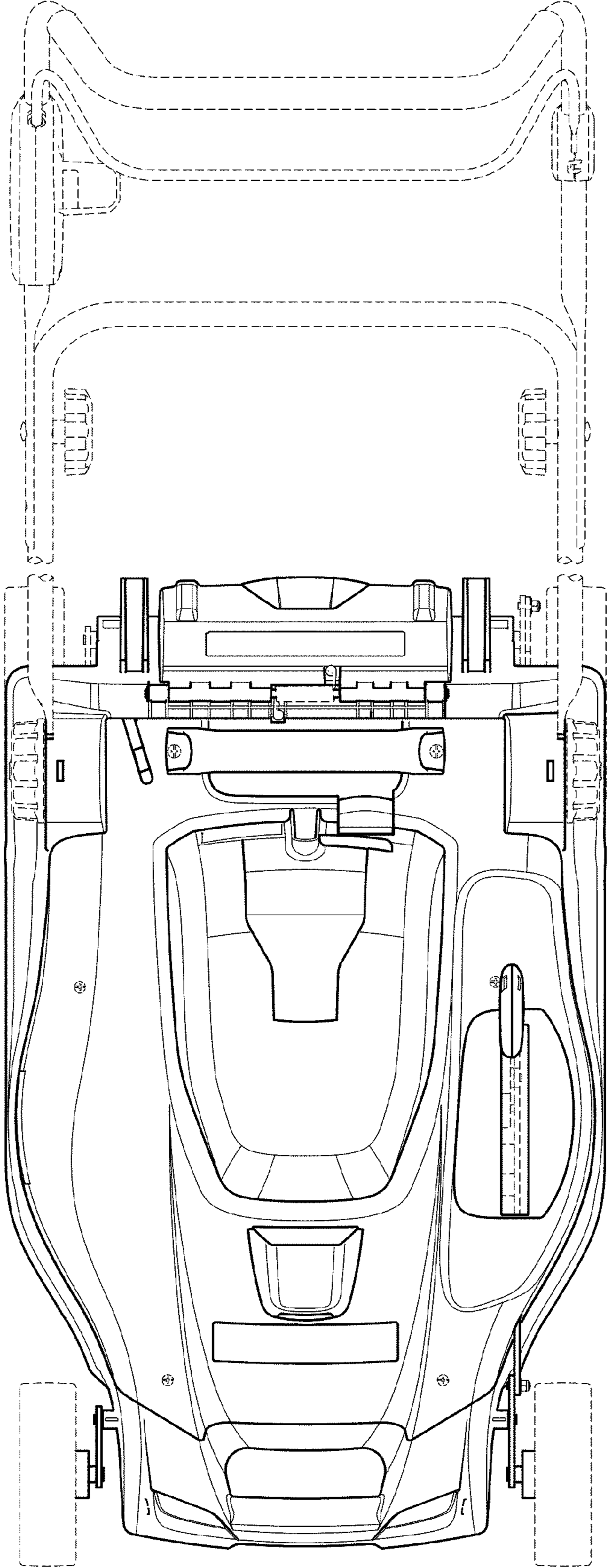


FIG. 4

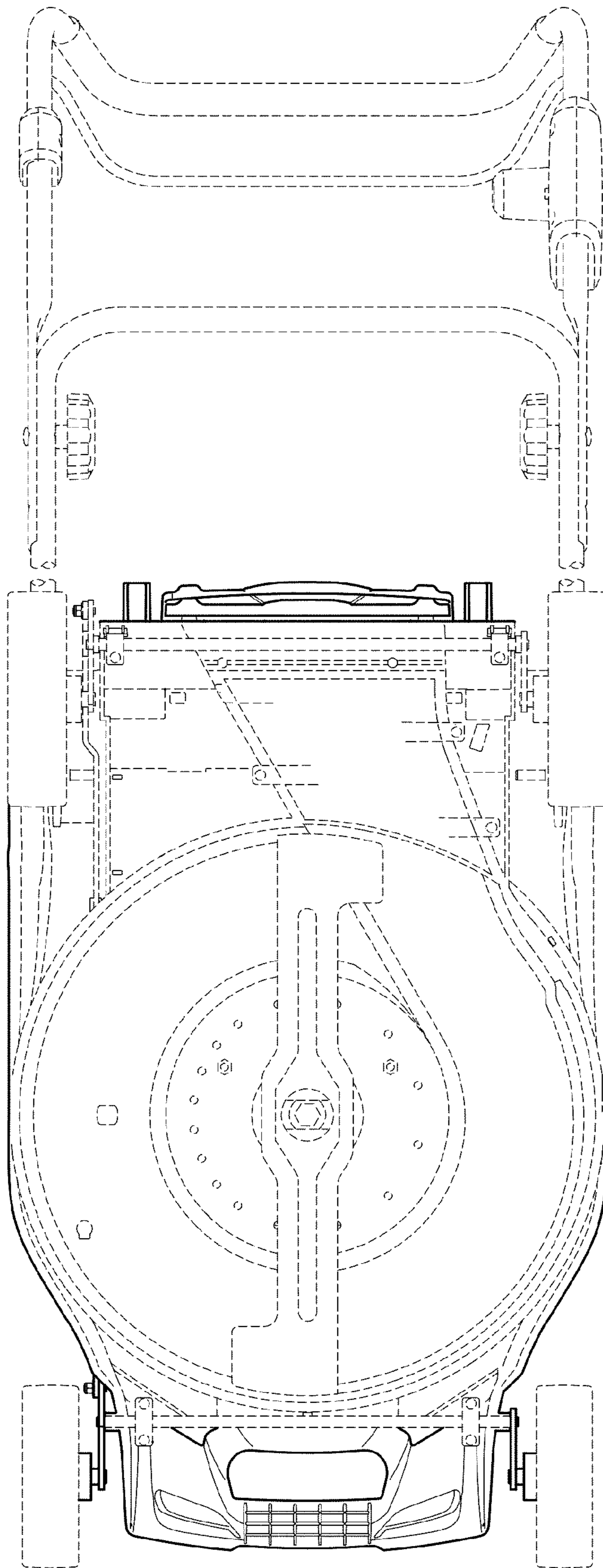


FIG. 5

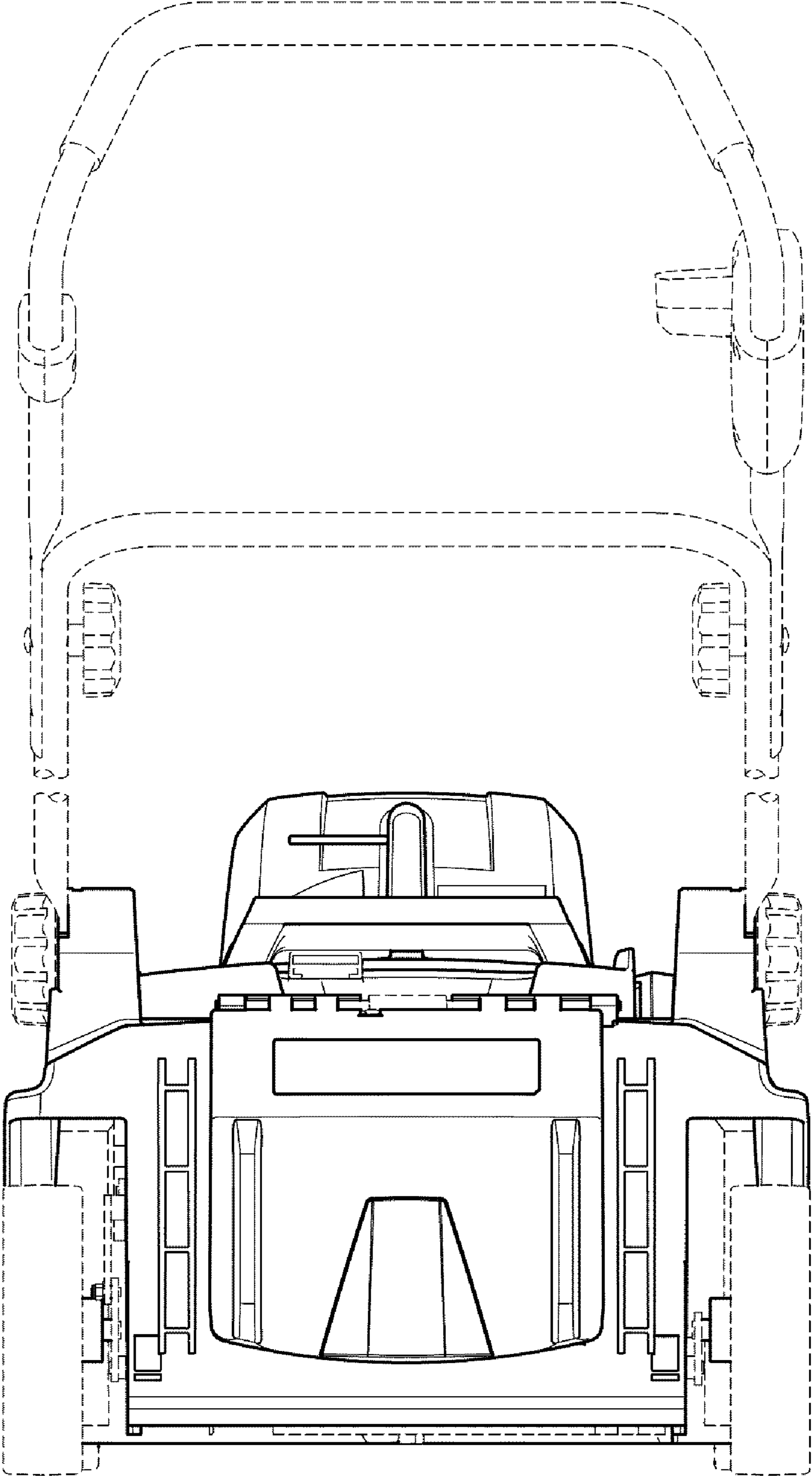


FIG. 6

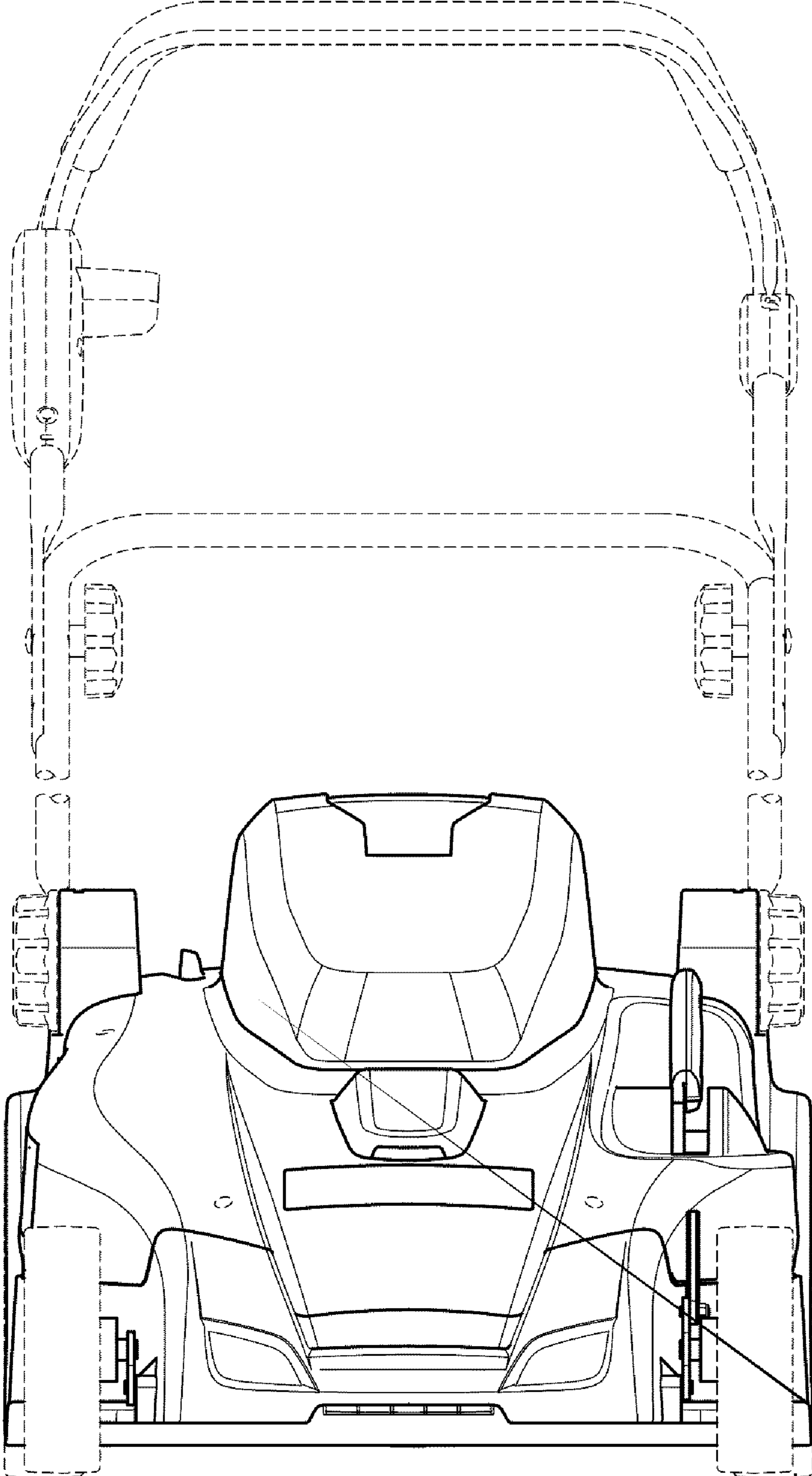


FIG. 7

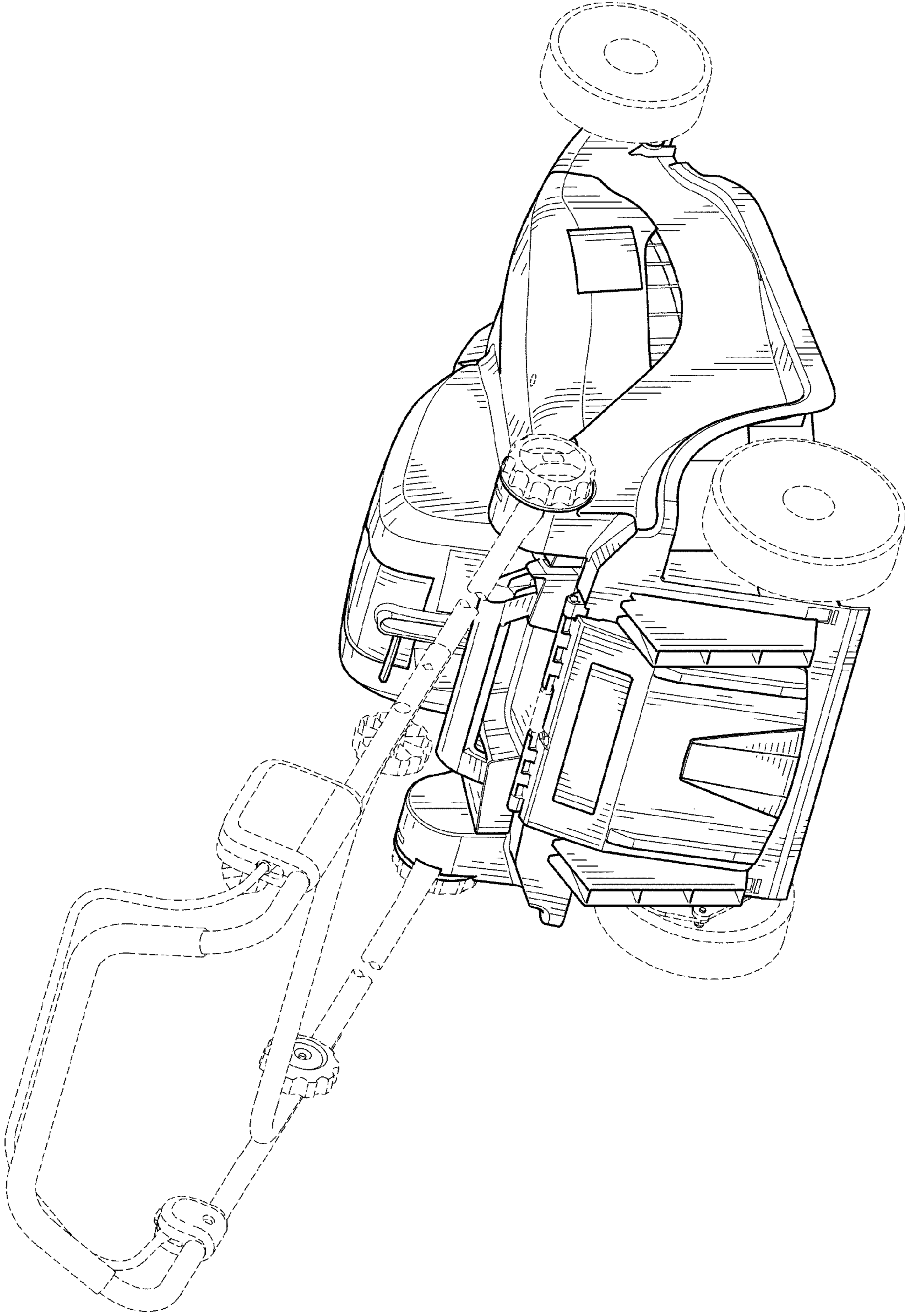


FIG. 8

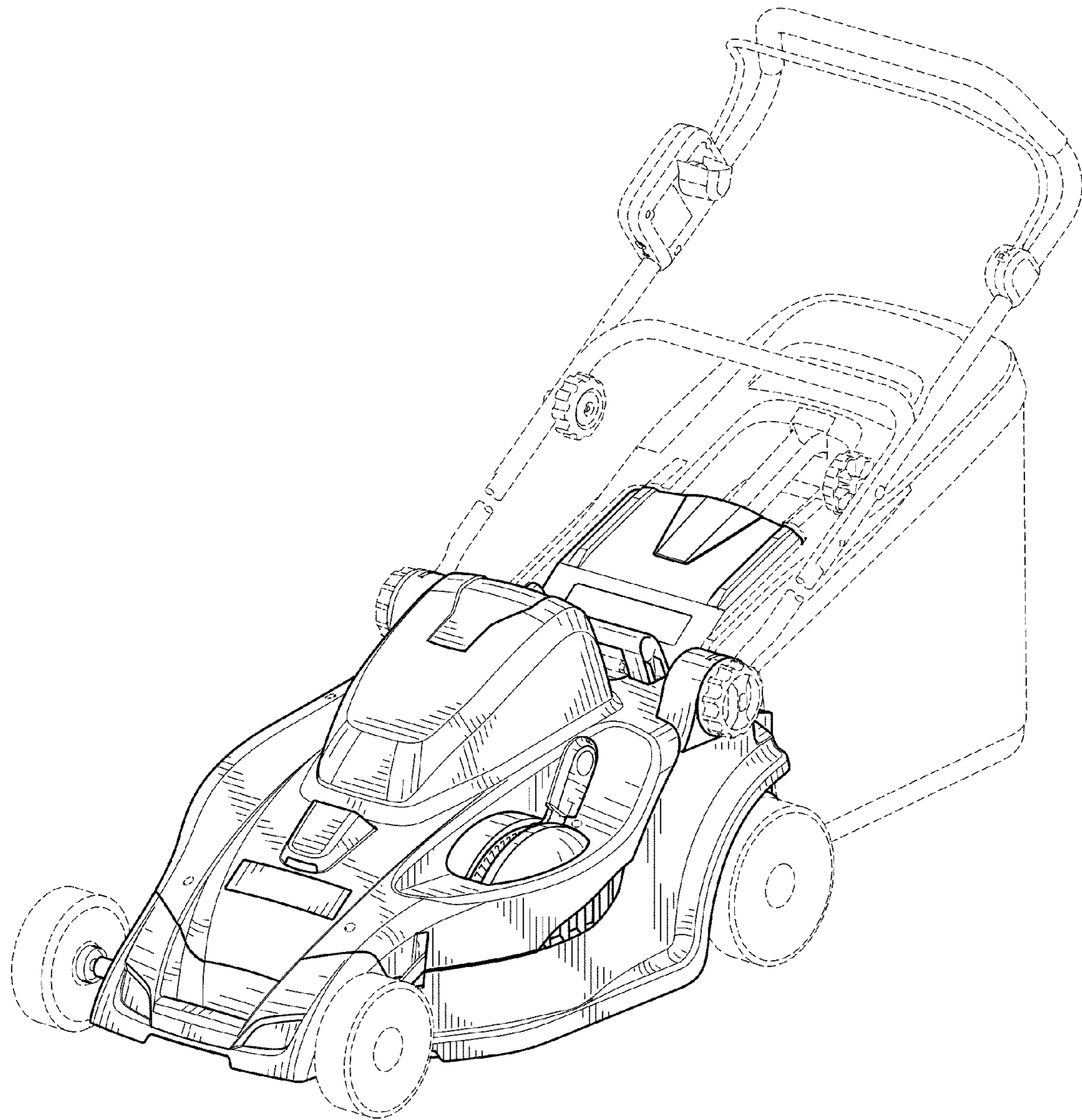


FIG. 9