

US00D648353S

(12) **United States Design Patent**  
**Mattson et al.**

(10) **Patent No.:** **US D648,353 S**

(45) **Date of Patent:** **\*\* Nov. 8, 2011**

(54) **PORTABLE PUMP**

(75) Inventors: **Andrew P. Mattson**, Richardson, TX  
(US); **Andrew P. Nelson**, Dallas, TX  
(US)

(73) Assignee: **Smith & Nephew PLC**, London (GB)

(\*\*) Term: **14 Years**

(21) Appl. No.: **29/396,913**

(22) Filed: **Jul. 8, 2011**

**Related U.S. Application Data**

(63) Continuation of application No. 29/376,964, filed on Oct. 14, 2010, now Pat. No. Des. 642,594.

(51) **LOC (9) Cl.** ..... **15-02**

(52) **U.S. Cl.** ..... **D15/7**

(58) **Field of Classification Search** ..... D15/7-9;  
D23/231, 232, 225; 417/60, 235, 265, 321,  
417/355, 358, 363, 359, 410.1, 415-416,  
417/405, 900; 60/408, 412; 184/26-37;  
415/140-147; 123/495, 509

See application file for complete search history.

(56) **References Cited**

**U.S. PATENT DOCUMENTS**

D423,102 S	4/2000	Mertenant	
D434,150 S	11/2000	Tumey et al.	
D439,341 S *	3/2001	Tumey et al.	D24/169
6,648,862 B2	11/2003	Watson	
D516,217 S	2/2006	Brown et al.	
D544,092 S	6/2007	Lewis	
D546,952 S	7/2007	May	
D580,285 S	11/2008	Hendrickson et al.	
D585,135 S	1/2009	Mori et al.	
D585,137 S	1/2009	Onoda et al.	
D585,543 S *	1/2009	Yodfat et al.	D24/111
D586,466 S	2/2009	Smith et al.	
D587,376 S	2/2009	Takano et al.	

D590,841 S *	4/2009	Muhlenberend	D15/7
D598,472 S *	8/2009	Anderson et al.	D15/7
D625,740 S *	10/2010	Varini	D15/7
D629,502 S	12/2010	Au et al.	
D642,594 S	8/2011	Mattson et al.	
2004/0167482 A1	8/2004	Watson	
2009/0312728 A1	12/2009	Randolph et al.	
2010/0125258 A1	5/2010	Coutlhard et al.	
2010/0125259 A1	5/2010	Olson	

**OTHER PUBLICATIONS**

Kalypto Medical, NPD 1000 NPWT Pump & Control Module Product Specifications, Oct. 2009.

KCI Licensing, Prevena™ Incision Management System, 2010. Web page labeled "The XVS System," printed from Cerulean Medical website, [http://ceruleanmedical.com/Cerulean\\_Medical/The\\_XVS\\_System.html](http://ceruleanmedical.com/Cerulean_Medical/The_XVS_System.html) (1 printed page), available before Oct. 14, 2010.

\* cited by examiner

*Primary Examiner* — Ralf Seifert

(74) *Attorney, Agent, or Firm* — Knobbe Martens Olson & Bear LLP

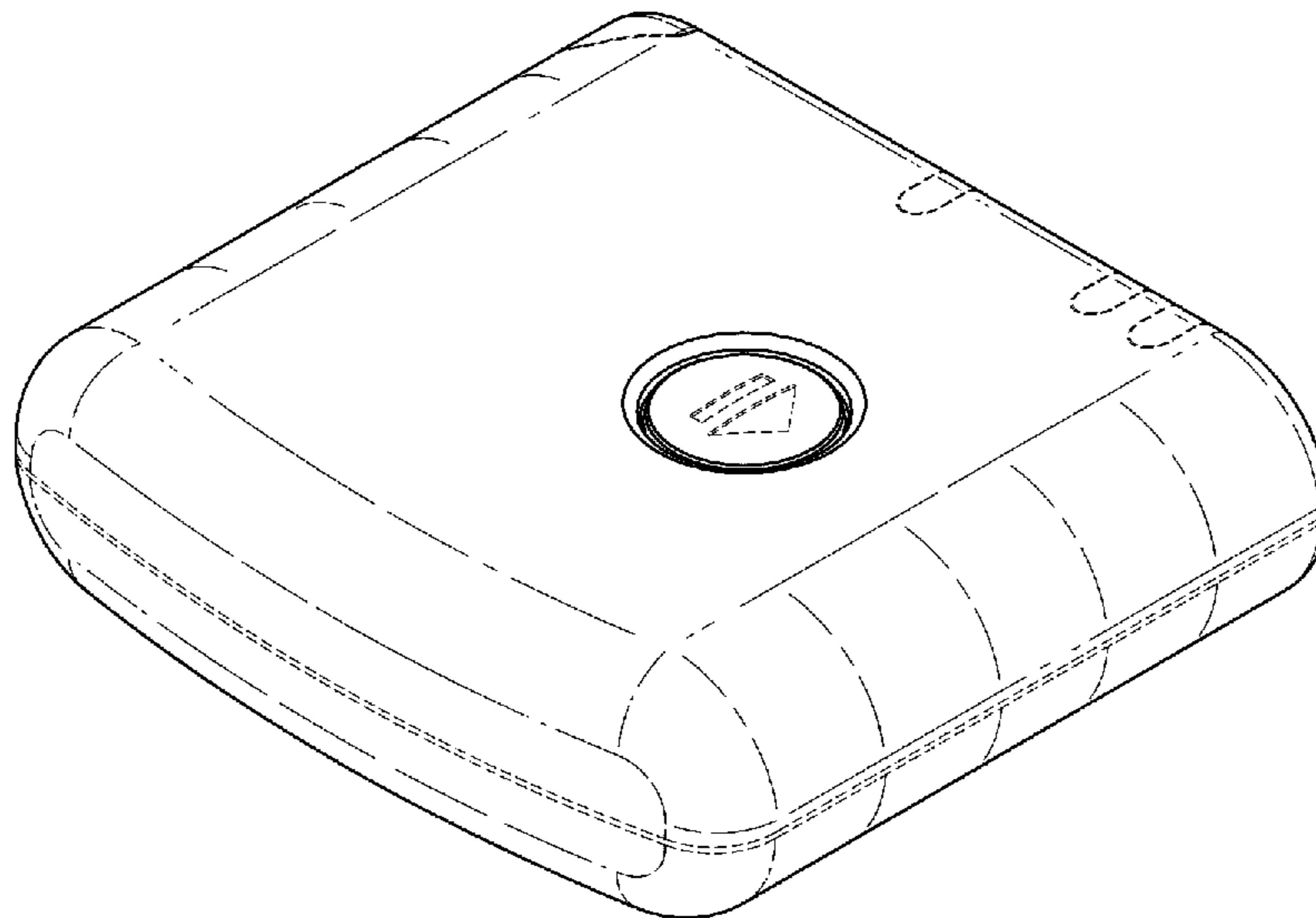
(57) **CLAIM**

The ornamental design for a portable pump, as shown and described.

**DESCRIPTION**

FIG. 1 is a perspective view of a portable pump. FIG. 2 is another perspective view of the portable pump of FIG. 1. FIG. 3 is a top plan view of the portable pump of FIG. 1. FIG. 4 is a bottom view of the portable pump of FIG. 1. FIG. 5 is a front view of the portable pump of FIG. 1. FIG. 6 is a rear view of the portable pump of FIG. 1. FIG. 7 is a right side view of the portable pump of FIG. 1; and, FIG. 8 is a left side view of the portable pump of FIG. 1. The broken lines in the drawings are for illustrative purposes only and form no part of the claimed design.

**1 Claim, 6 Drawing Sheets**



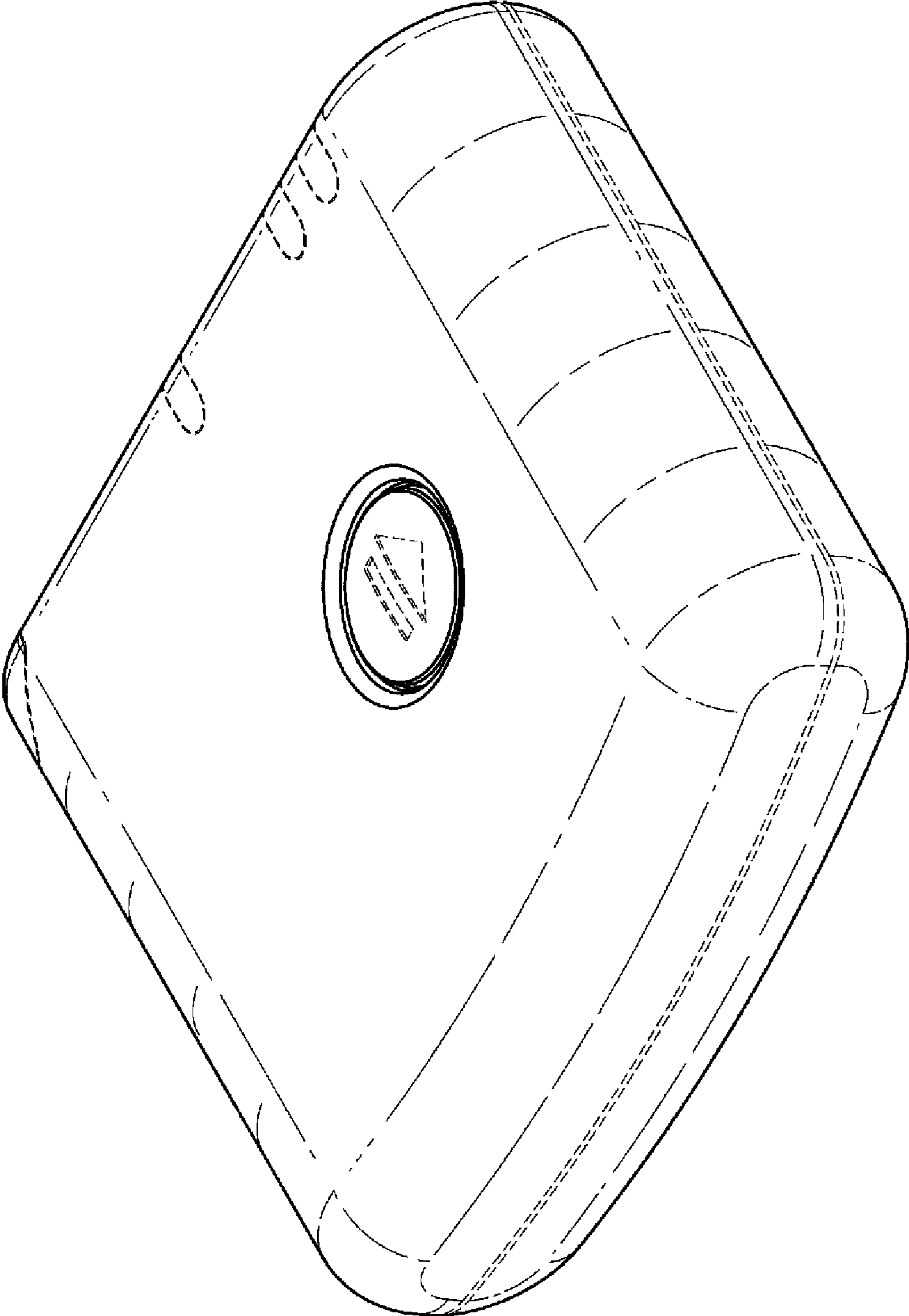


FIG. 1

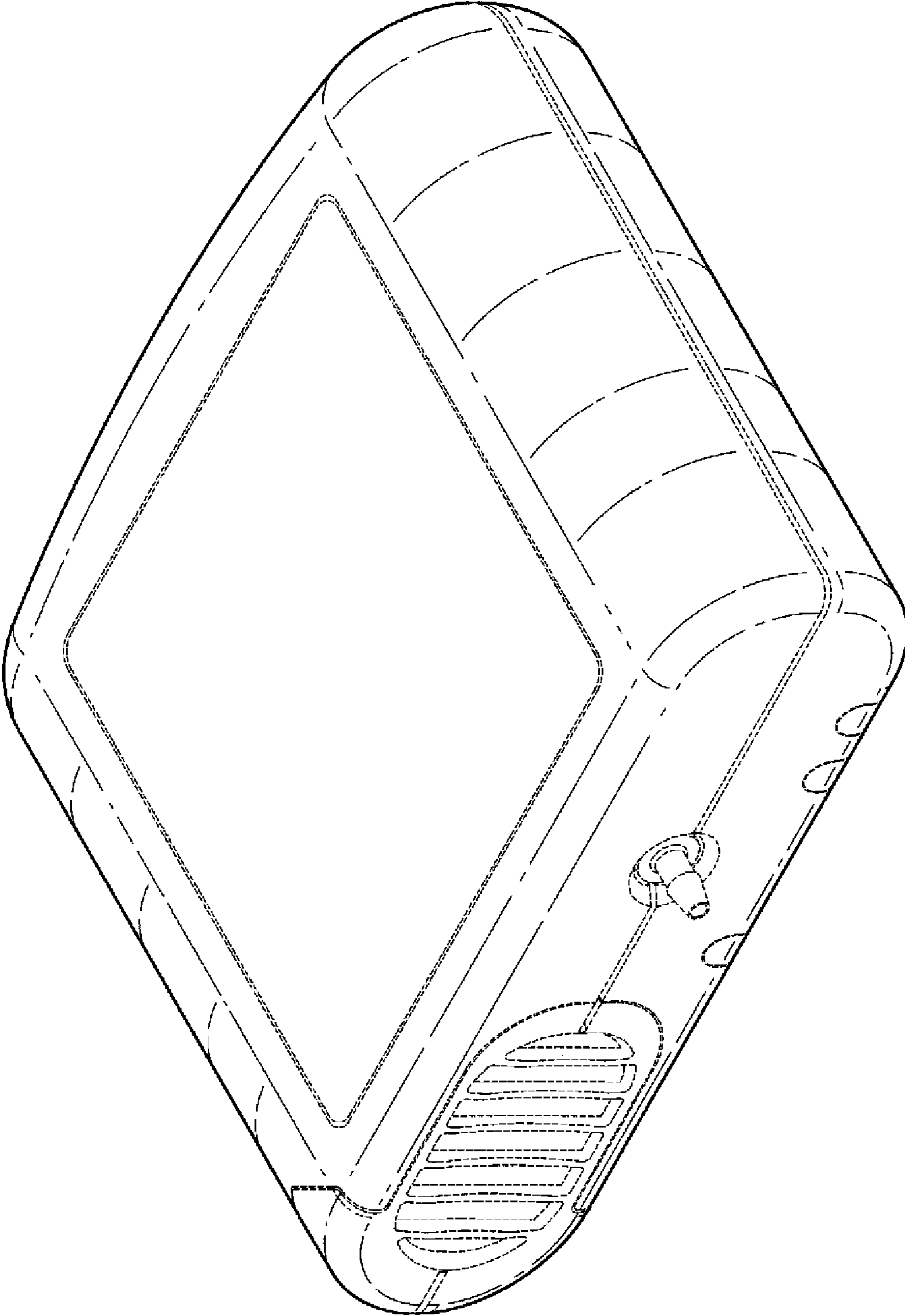
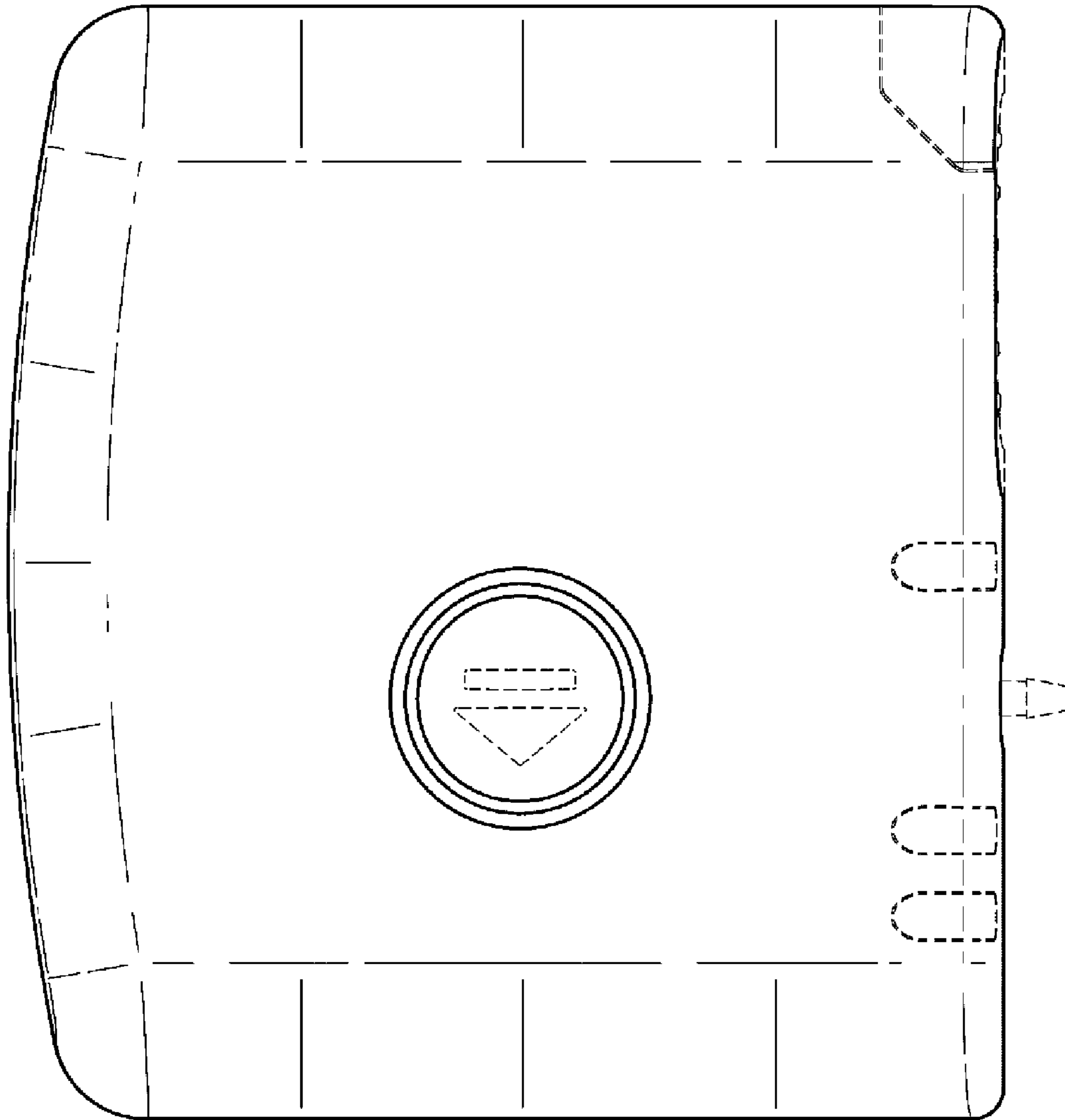


FIG. 2



*FIG. 3*

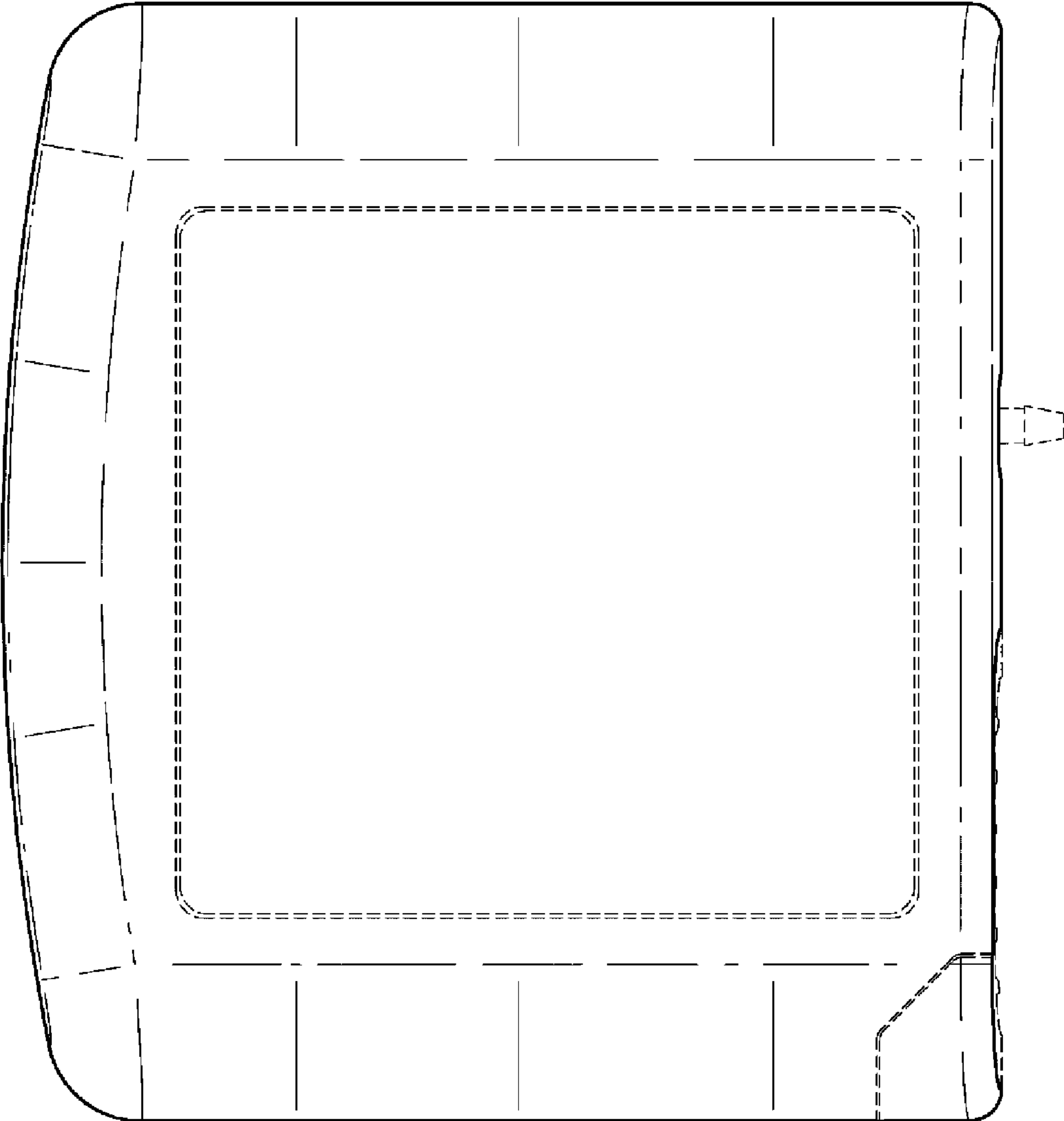
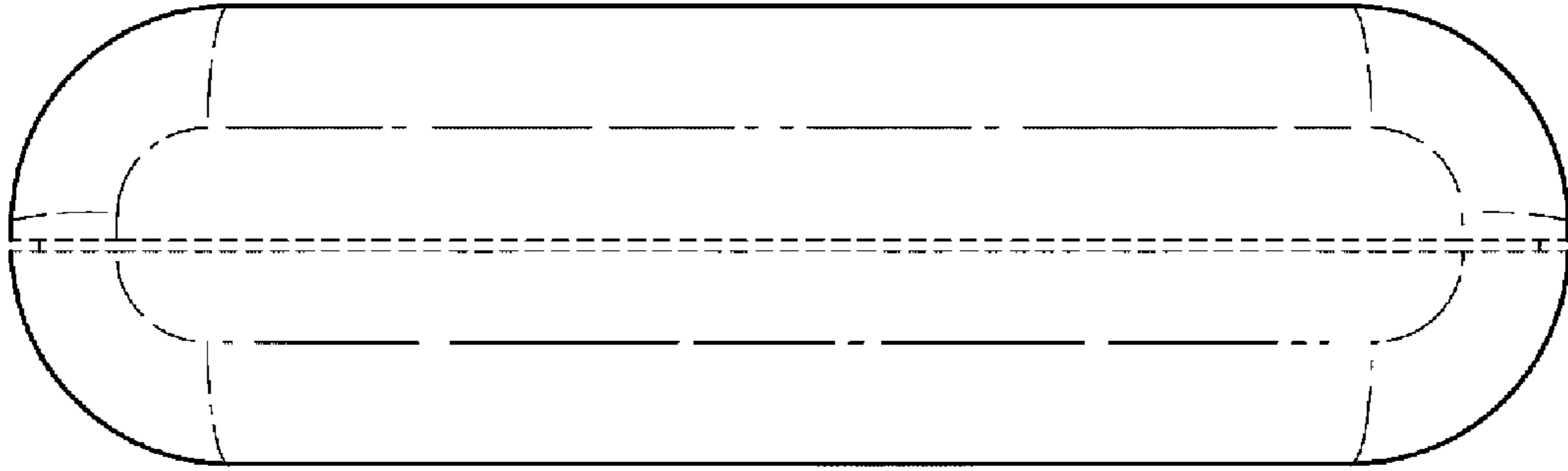
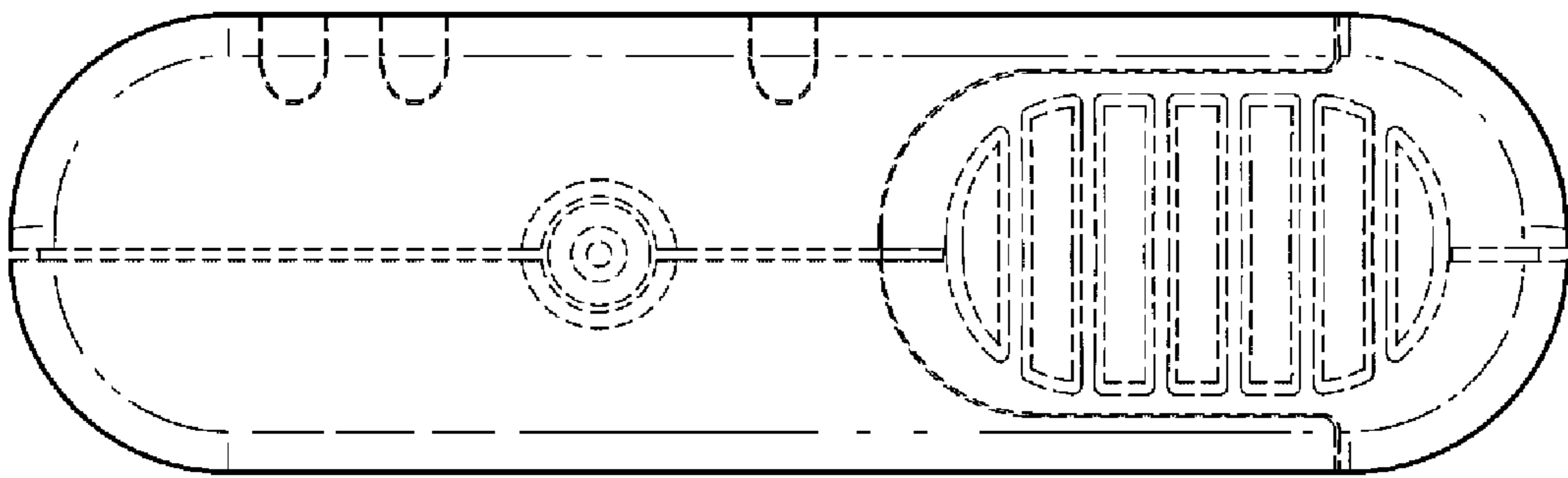


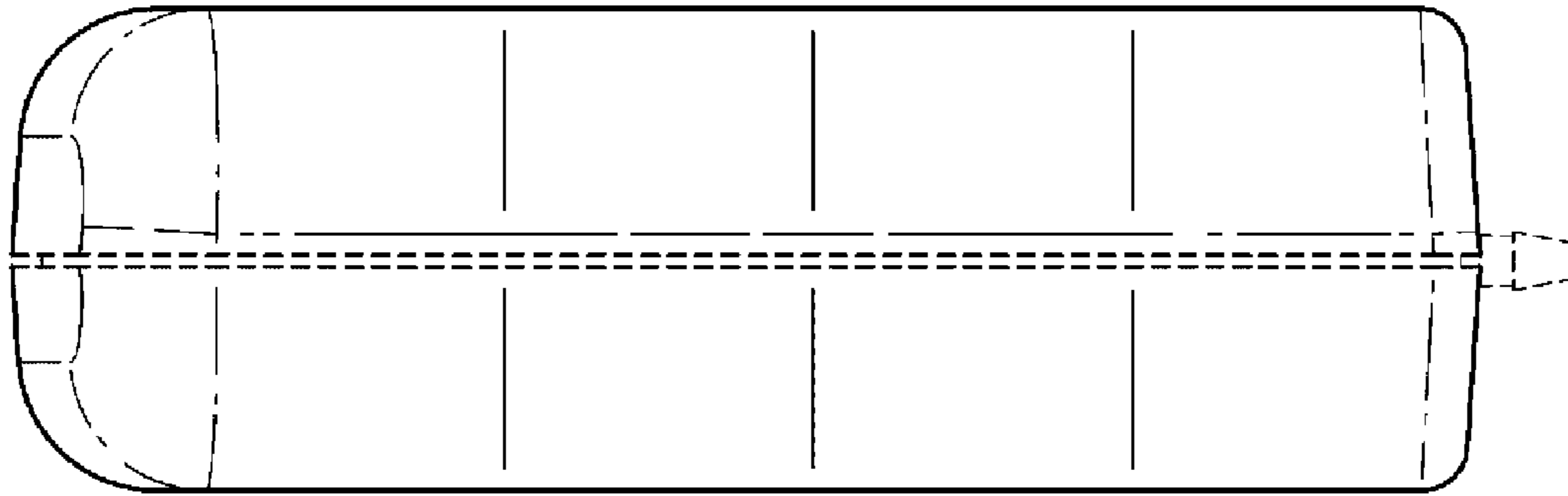
FIG. 4



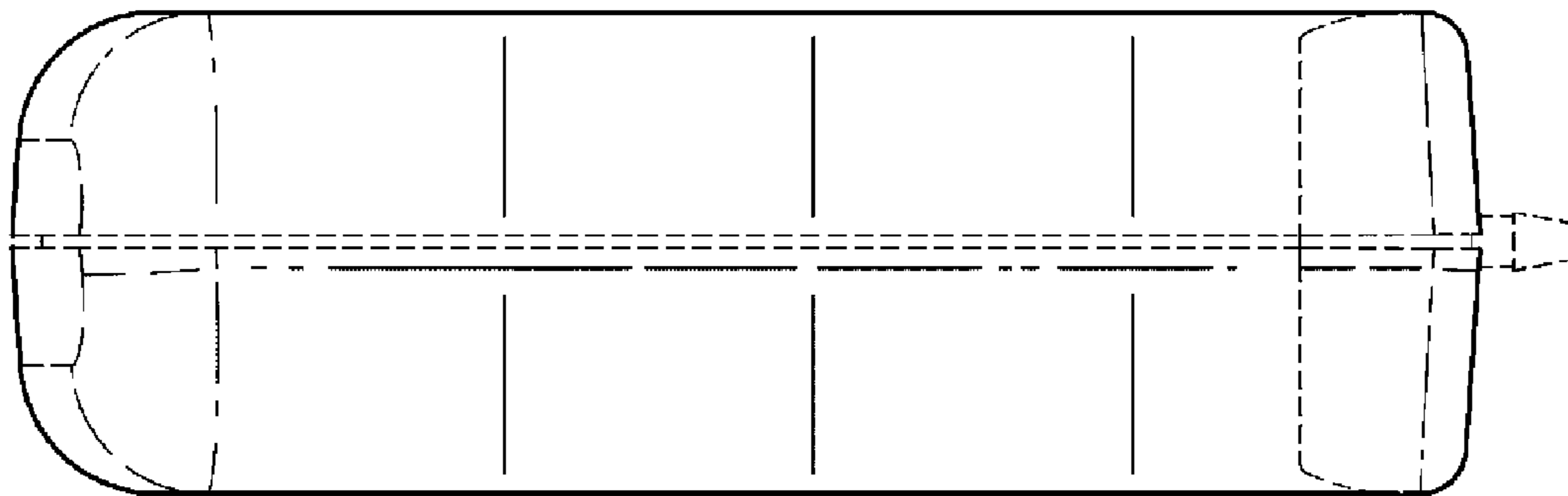
*FIG. 5*



*FIG. 6*



*FIG. 7*



*FIG. 8*