



US00D648351S

(12) **United States Design Patent**
Michimura

(10) **Patent No.:** **US D648,351 S**

(45) **Date of Patent:** **** Nov. 8, 2011**

(54) **ENGINE COVER FOR A TRUCK**

(75) Inventor: **Yousuke Michimura**, Tokyo (JP)

(73) Assignee: **UD Trucks Corporation**, Saitama (JP)

(**) Term: **14 Years**

(21) Appl. No.: **29/367,633**

(22) Filed: **Aug. 10, 2010**

(30) **Foreign Application Priority Data**

Apr. 8, 2010 (JP) 2010-008894

(51) **LOC (9) Cl.** **15-01**

(52) **U.S. Cl.** **D15/5**

(58) **Field of Classification Search** D15/1,
D15/2, 3, 5, 6, 14, 17, 149; 123/22, 41.34,
123/51 A, 606 R, 52.1, 50 A, 50 B, 54.1,
123/54.2, 54.4, 54.5, 65 R, 195 R, 195 HC,
123/657, 311, 90.15, 195 C

See application file for complete search history.

(56) **References Cited**

U.S. PATENT DOCUMENTS

5,513,603 A * 5/1996 Ang et al. 123/90.37
6,453,892 B1 * 9/2002 Plunkett et al. 123/572

D533,567 S * 12/2006 D'Amico D15/5
7,610,893 B2 * 11/2009 Waters et al. 123/195 C
7,654,237 B2 * 2/2010 Cunningham 123/90.38
2008/0276901 A1 * 11/2008 Miller et al. 123/195 C
2009/0038579 A1 * 2/2009 Shieh et al. 123/195 C
2010/0089359 A1 * 4/2010 Cunningham 123/195 C
2010/0147235 A1 * 6/2010 Festag et al. 123/41.86

* cited by examiner

Primary Examiner — T. Chase Nelson

Assistant Examiner — Ania Dworzecka

(74) *Attorney, Agent, or Firm* — Smith Patent Office

(57) **CLAIM**

The ornamental design for an engine cover for a truck, as shown and described.

DESCRIPTION

FIG. 1 is a perspective view of an engine cover for a truck showing my new design;
FIG. 2 is a top plan view thereof;
FIG. 3 is a front elevation view thereof;
FIG. 4 is a left side view thereof;
FIG. 5 is a right side view thereof; and,
FIG. 6 is a bottom plan view thereof.

1 Claim, 3 Drawing Sheets





Fig. 1

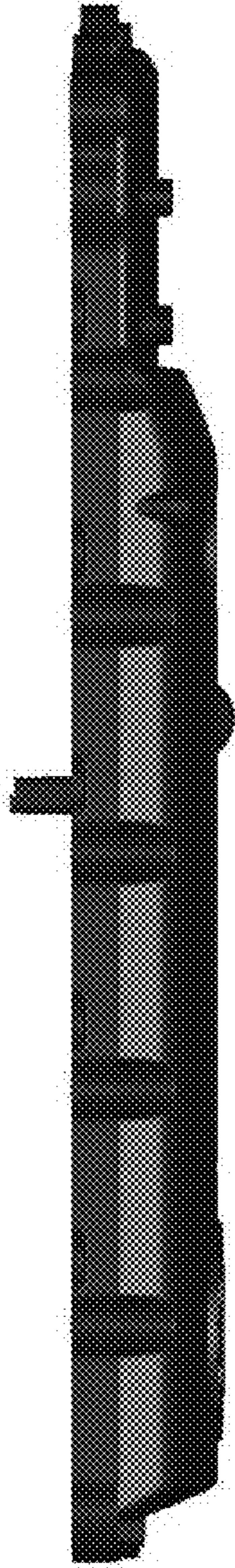


Fig. 2

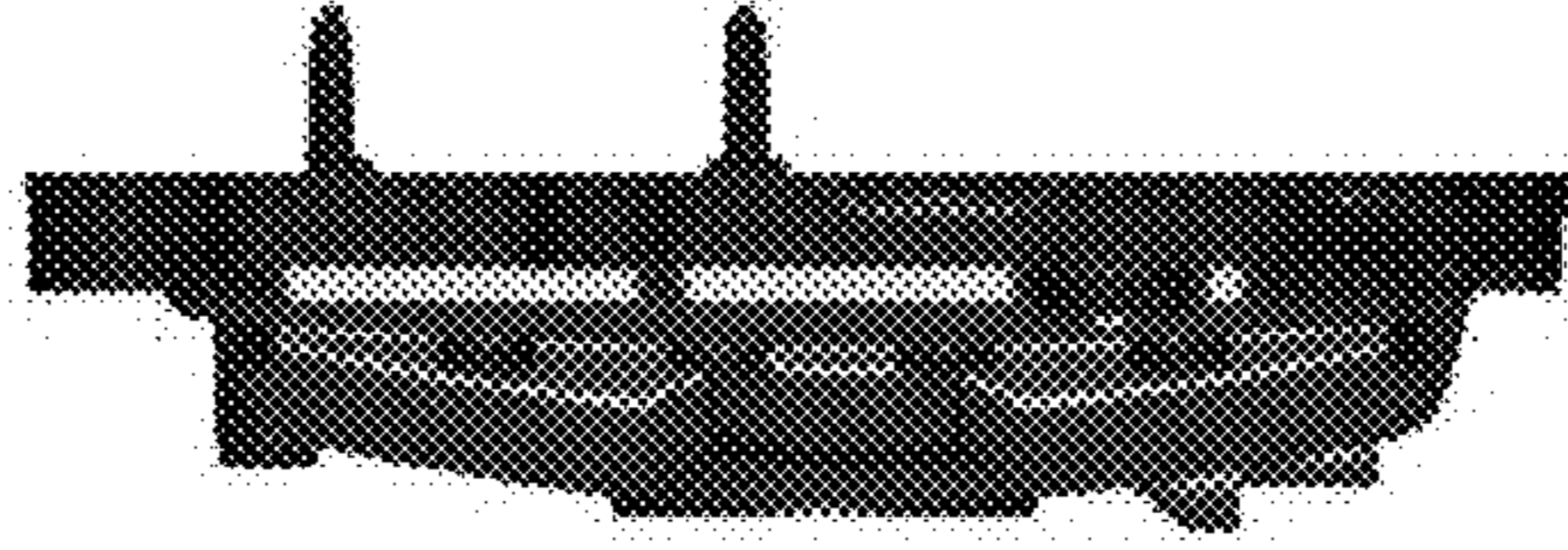


Fig. 5

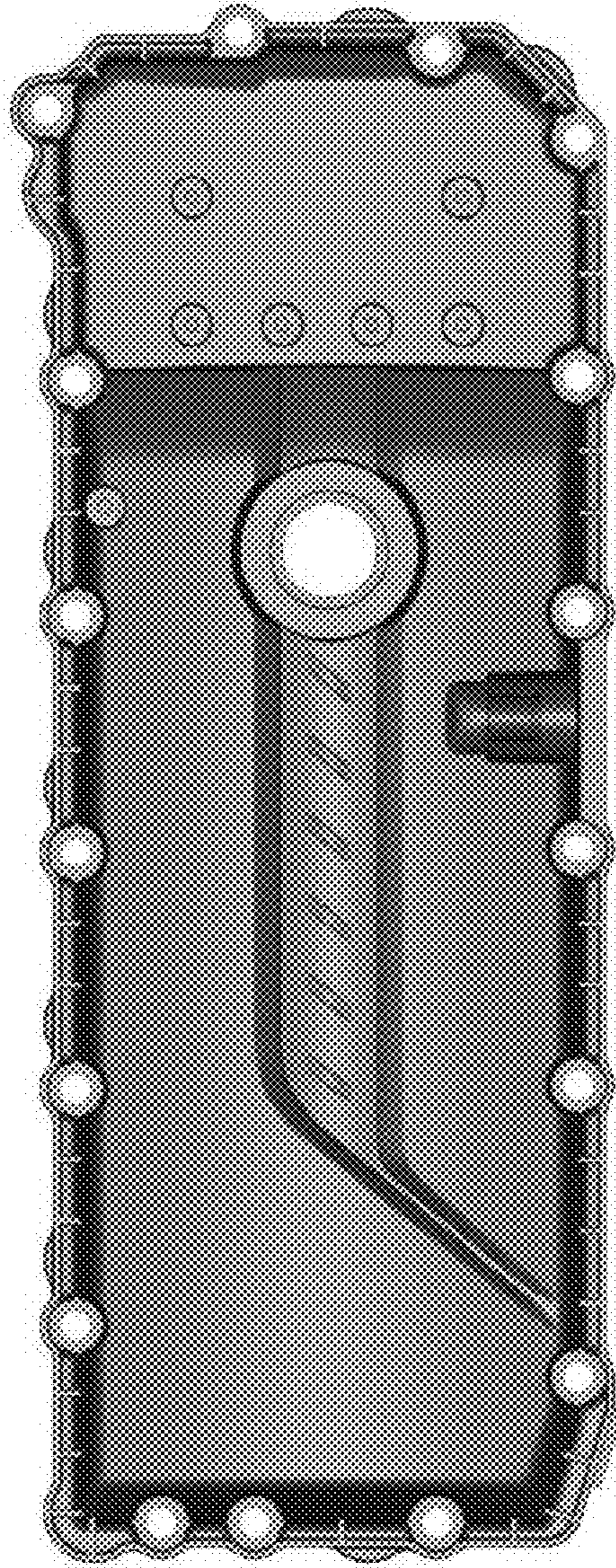


Fig. 3

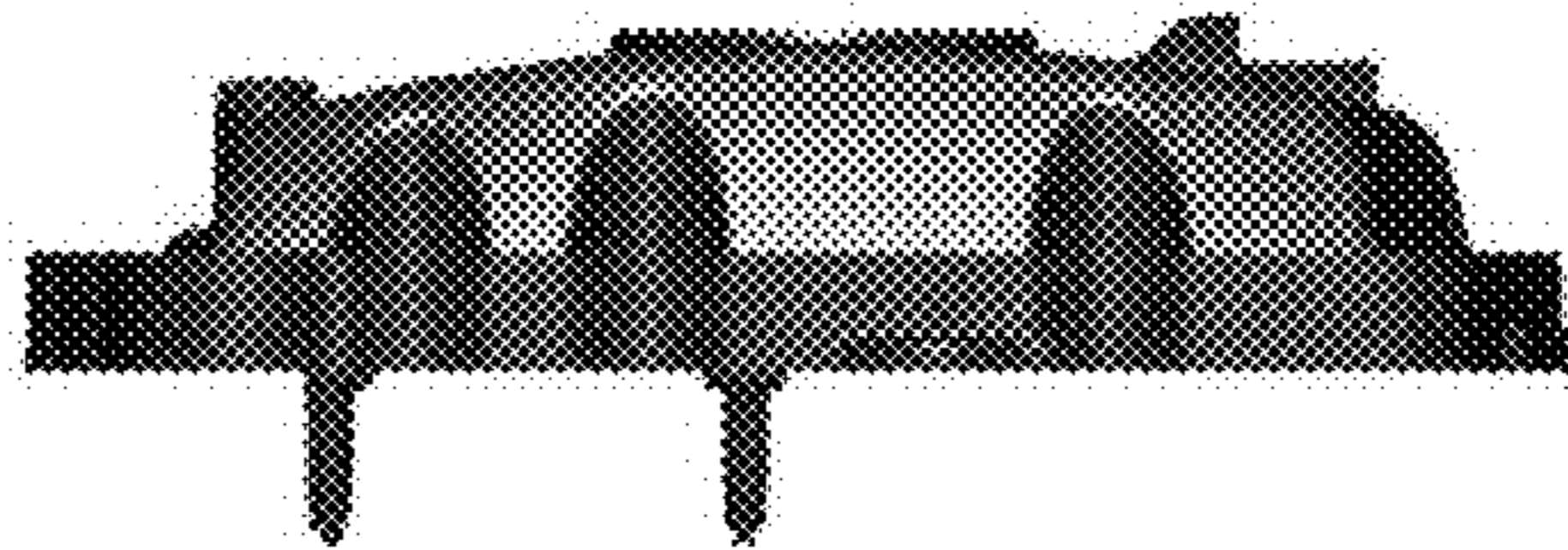


Fig. 4

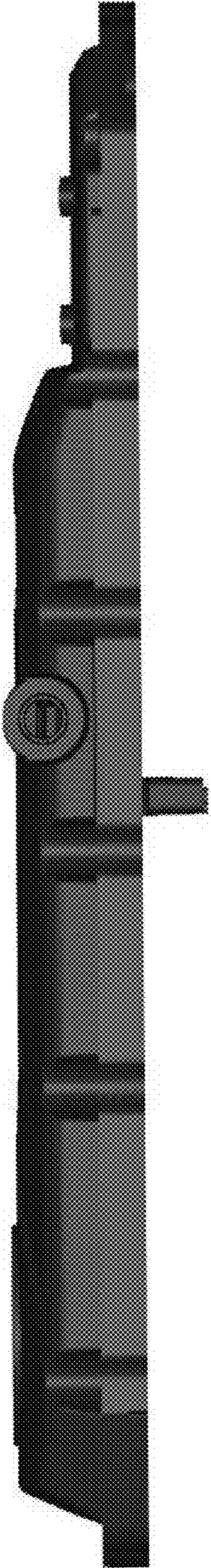


Fig. 6