



US00D648350S

(12) **United States Design Patent**
Steinfels

(10) **Patent No.:** **US D648,350 S**

(45) **Date of Patent:** **** Nov. 8, 2011**

(54) **PRESSURIZED AIR MANIFOLD WITH
REGULATOR**

(75) Inventor: **Craig R. Steinfels**, Jackson, TN (US)

(73) Assignee: **Black & Decker Inc.**, Newark, DE (US)

(**) Term: **14 Years**

(21) Appl. No.: **29/362,942**

(22) Filed: **Jun. 2, 2010**

(51) **LOC (9) Cl.** **15-01**

(52) **U.S. Cl.** **D15/5**

(58) **Field of Classification Search** D15/1-6;
D23/233-237; D10/85; 123/585

See application file for complete search history.

(56) **References Cited**

U.S. PATENT DOCUMENTS

D372,250 S *	7/1996	Otsuka et al.	D15/5
6,923,627 B1 *	8/2005	Wood et al.	417/234
7,216,672 B1 *	5/2007	Chen	137/883
7,243,684 B1 *	7/2007	Chen	137/883
D602,044 S *	10/2009	Steinfels et al.	D15/5

* cited by examiner

Primary Examiner — T. Chase Nelson

Assistant Examiner — Ania Dworzecka

(74) *Attorney, Agent, or Firm* — Rhonda L. Barton; Michael Leary; Adan Ayala

(57) **CLAIM**

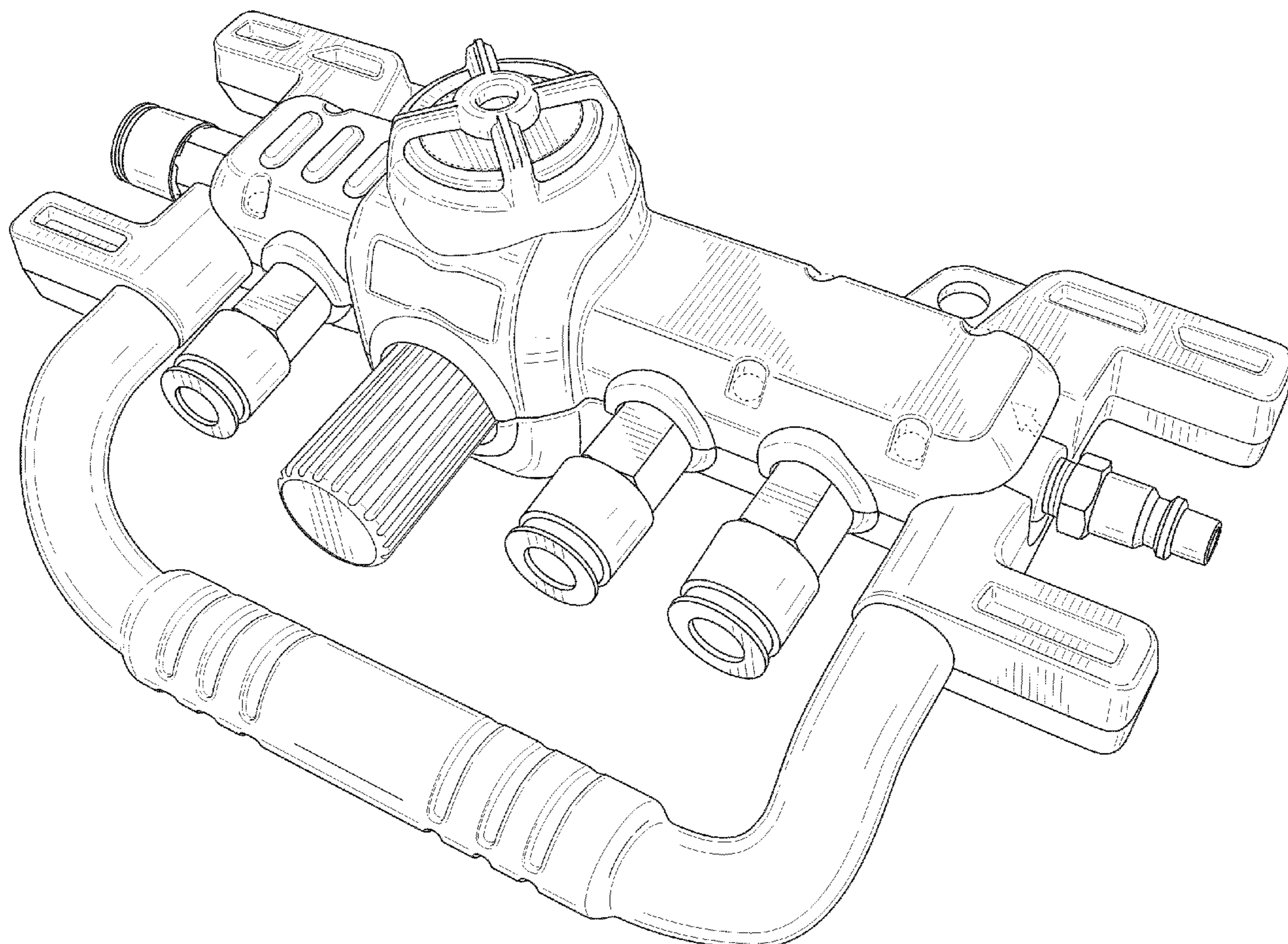
The ornamental design for a pressurized air manifold with regulator, as shown and described.

DESCRIPTION

FIG. 1 is a perspective view of a pressurized air manifold with regulator showing my new design; FIG. 2 is a top view thereof; FIG. 3 is a bottom view thereof; FIG. 4 is a front view thereof; FIG. 5 is a back view thereof; FIG. 6 is a right side view thereof; and, FIG. 7 is a left side view thereof.

In the drawings, the broken lines depict environmental subject matter only and form no part of the claimed design.

1 Claim, 6 Drawing Sheets



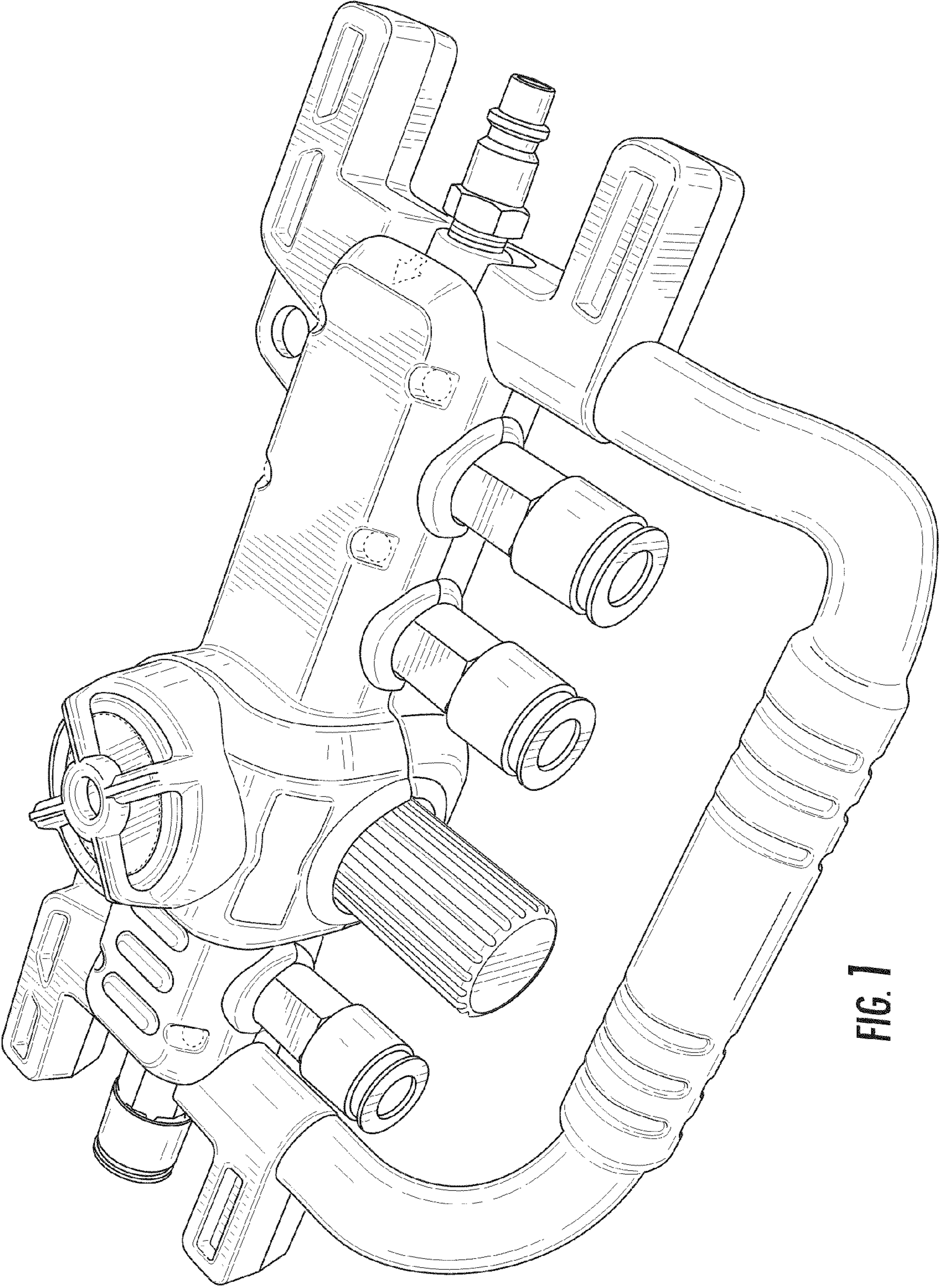


FIG. 1

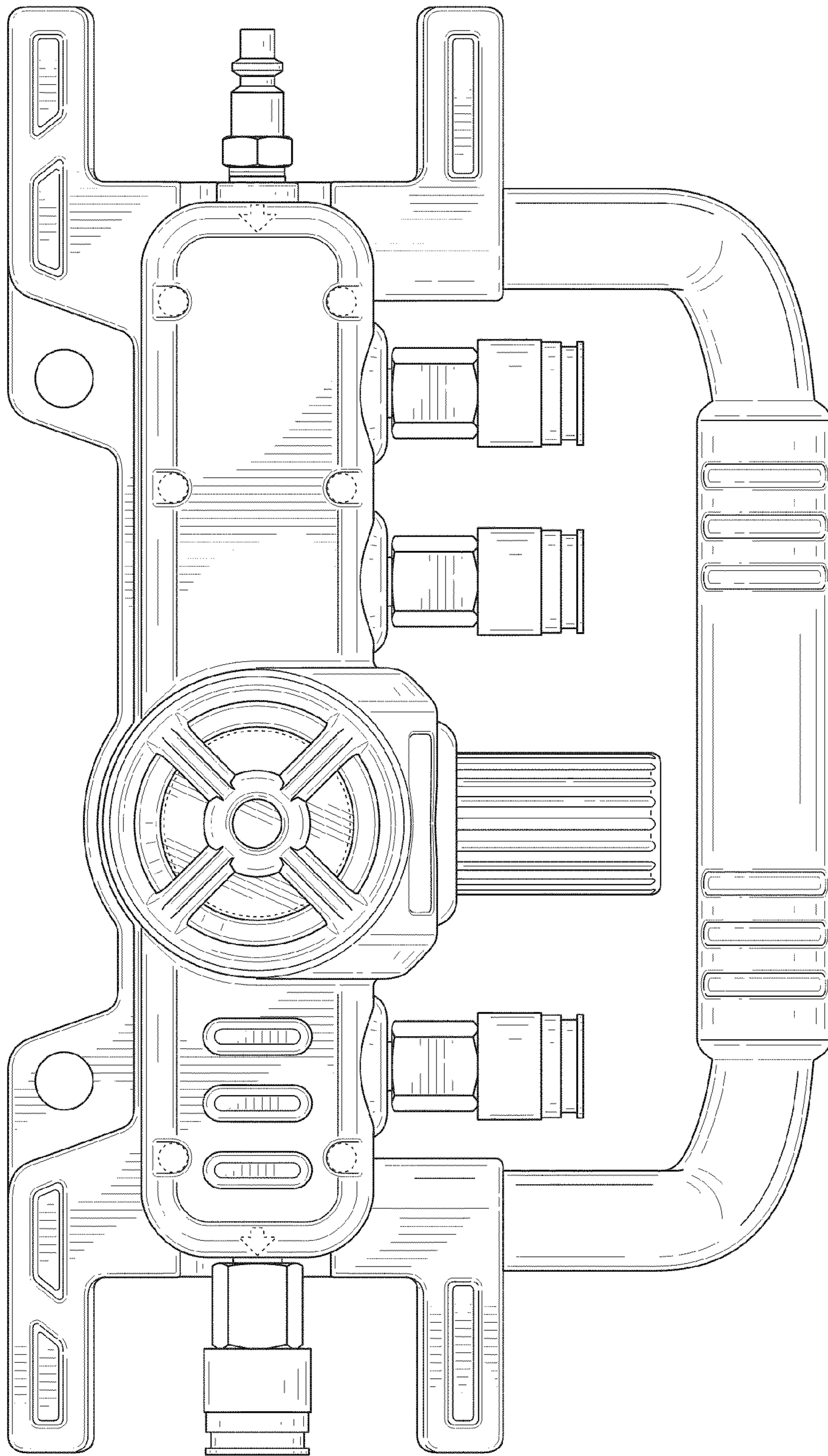


FIG. 2

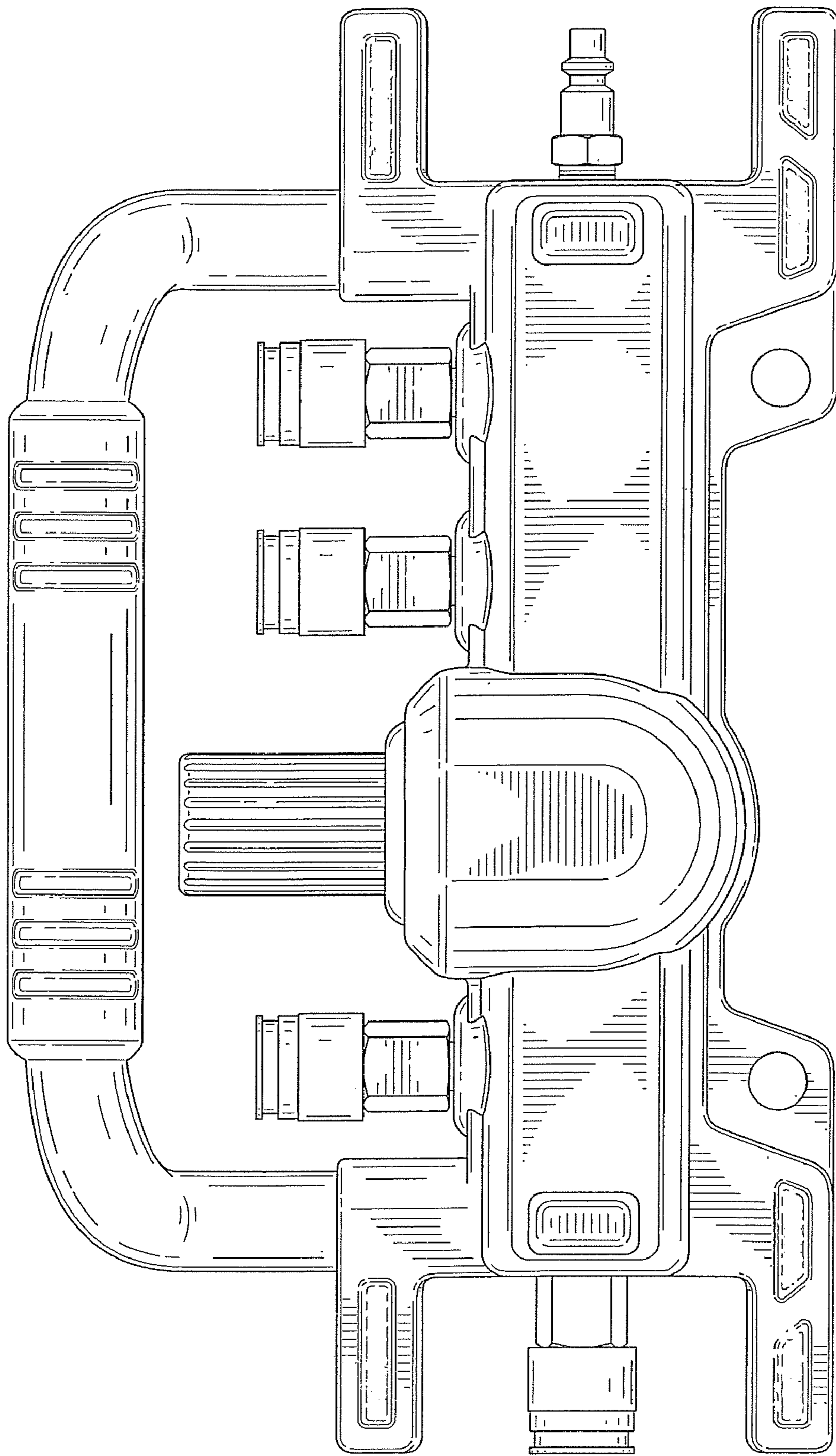


FIG. 3

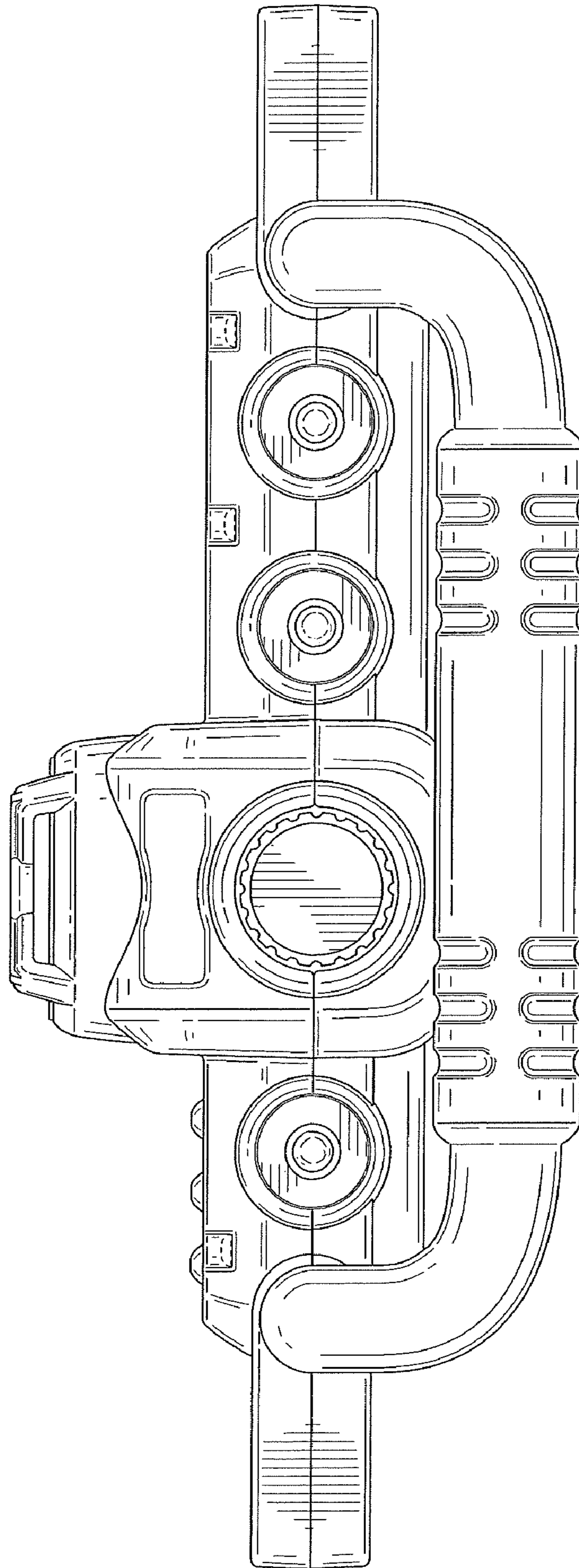


FIG. 4

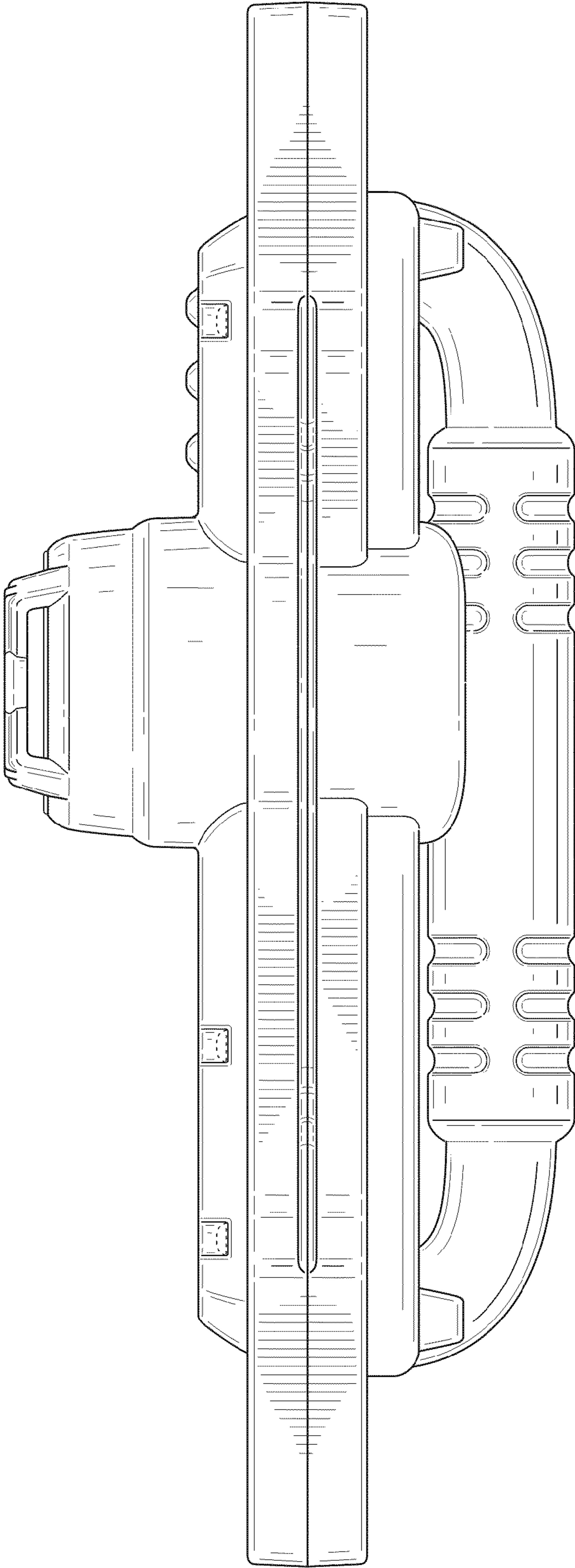


FIG. 5

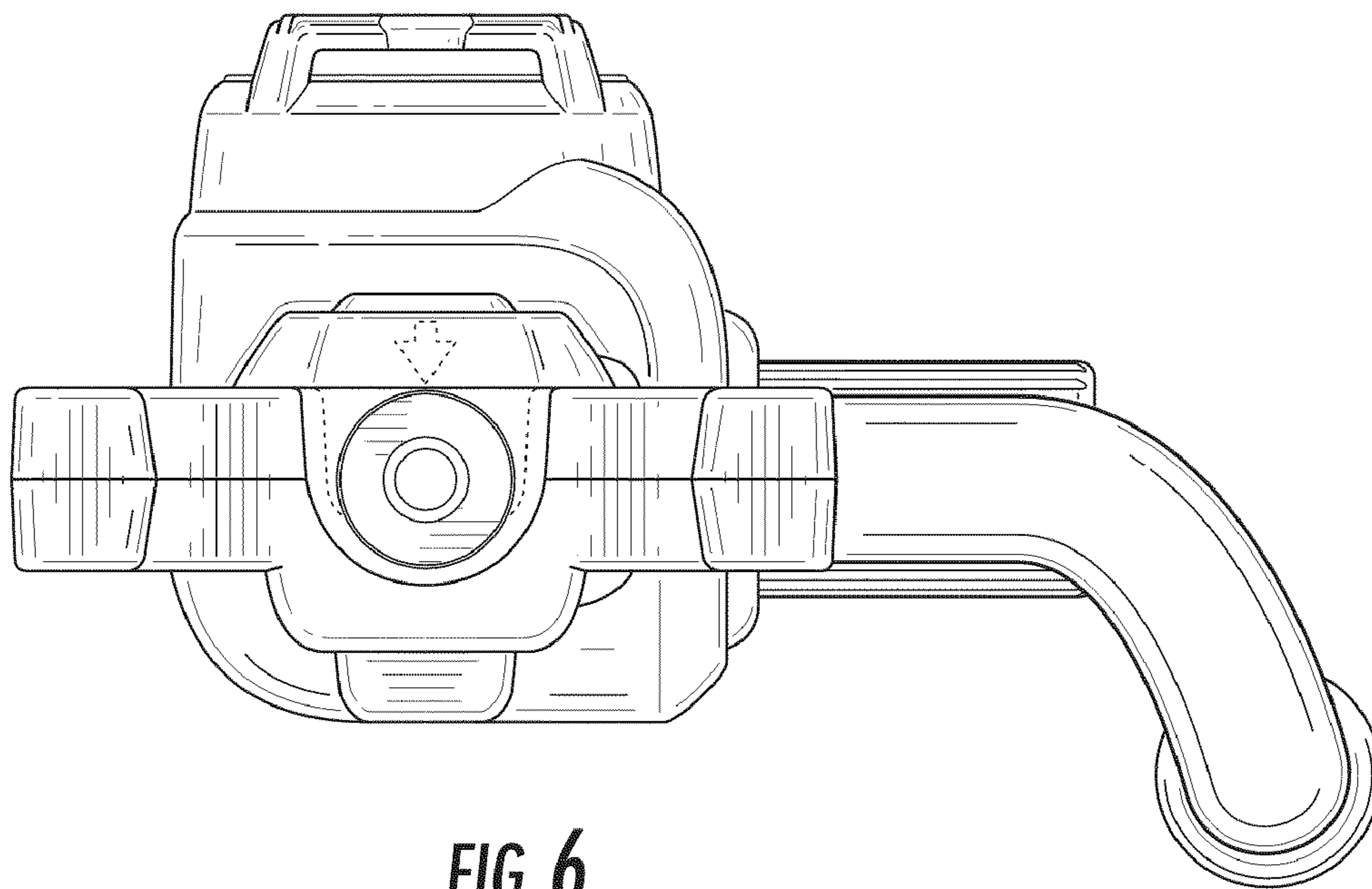


FIG. 6

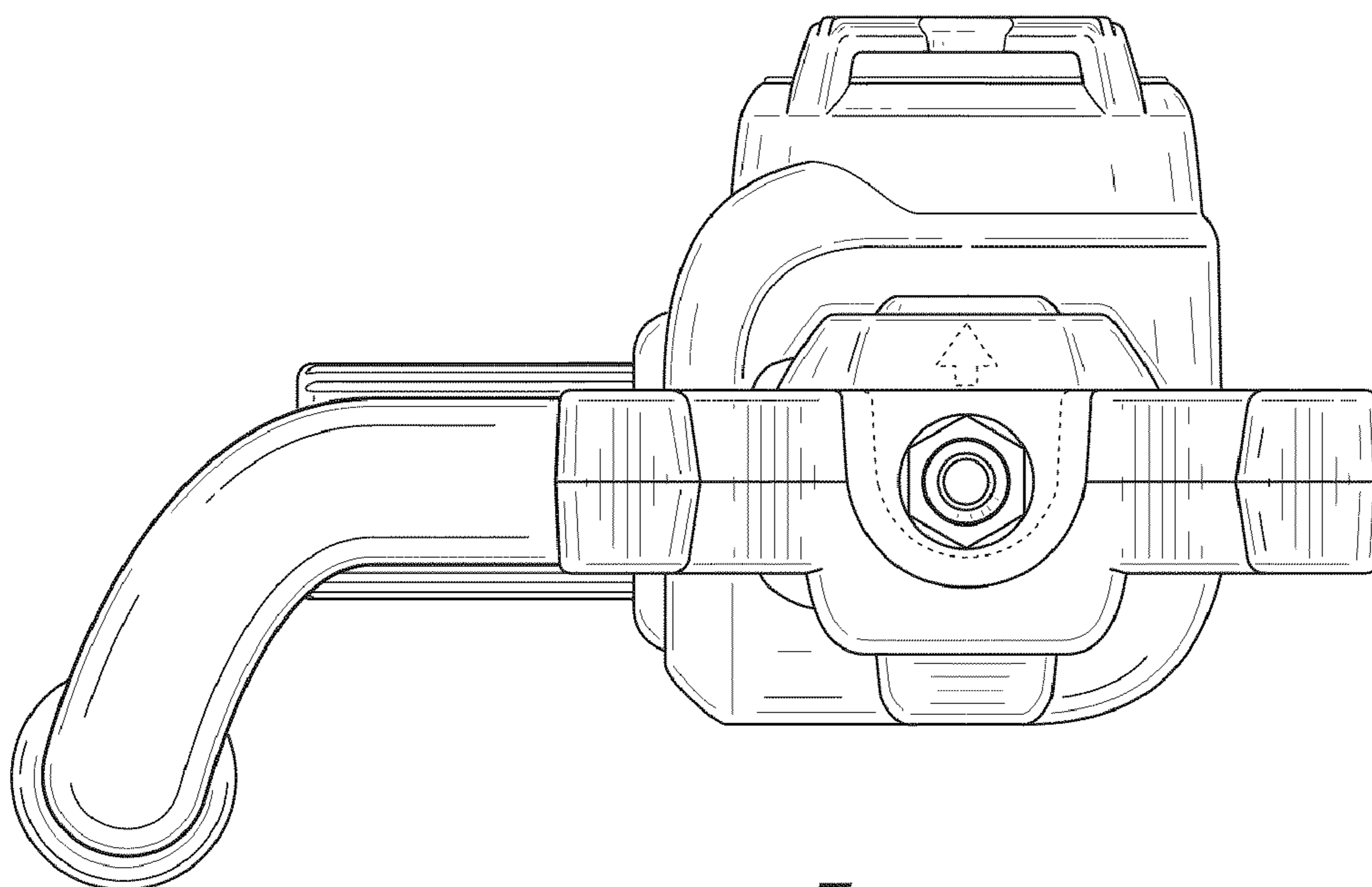


FIG. 7