



US00D648337S

(12) **United States Design Patent**
Jeon

(10) **Patent No.:** **US D648,337 S**
(45) **Date of Patent:** **** Nov. 8, 2011**

(54) **LIQUID CRYSTAL DISPLAY MONITOR**

(75) Inventor: **Seongahn Jeon**, Seoul (KR)

(73) Assignee: **LG Electronics Inc.**, Seoul (KR)

(**) Term: **14 Years**

(21) Appl. No.: **29/385,756**

(22) Filed: **Feb. 18, 2011**

(30) **Foreign Application Priority Data**

Aug. 20, 2010 (KR) 30-2010-0036474

(51) **LOC (9) Cl.** **14-02**

(52) **U.S. Cl.** **D14/374**

(58) **Field of Classification Search** D14/371-376,
D14/125-129, 336, 337; 248/917-924, 371,
248/121, 176.1, 278.1; 341/12; 345/104,
345/156, 173, 174, 901-905; 348/180, 184,
348/352, 739; 349/1, 2, 11, 62; 361/679.08
See application file for complete search history.

(56) **References Cited**

U.S. PATENT DOCUMENTS

6,837,469 B2 * 1/2005 Wu et al. 248/278.1
D550,222 S * 9/2007 Park D14/375

D556,159 S * 11/2007 Park et al. D14/126
D556,709 S * 12/2007 Kim et al. D14/126
D556,755 S * 12/2007 Lee et al. D14/375
D558,201 S * 12/2007 Park et al. D14/375
D584,310 S * 1/2009 Kim et al. D14/374
D592,664 S * 5/2009 Lee et al. D14/375
D597,041 S * 7/2009 Cho et al. D14/126
D610,143 S * 2/2010 Park et al. D14/374
D617,801 S * 6/2010 Chang et al. D14/451
2003/0058372 A1 * 3/2003 Williams et al. 348/836

* cited by examiner

Primary Examiner — Freda S Nunn

(74) *Attorney, Agent, or Firm* — Birch, Stewart, Kolasch & Birch, LLP

(57) **CLAIM**

The ornamental design for a liquid crystal display monitor, as shown and described.

DESCRIPTION

FIG 1 is a perspective view of a liquid crystal display monitor showing my new design;
FIG 2 is a front view thereof;
FIG 3 is a rear view thereof;
FIG. 4 is a left side view thereof where the right side view is a mirror image;
FIG. 5 is a top plan view thereof; and,
FIG. 6 is a bottom plan view thereof.

1 Claim, 6 Drawing Sheets

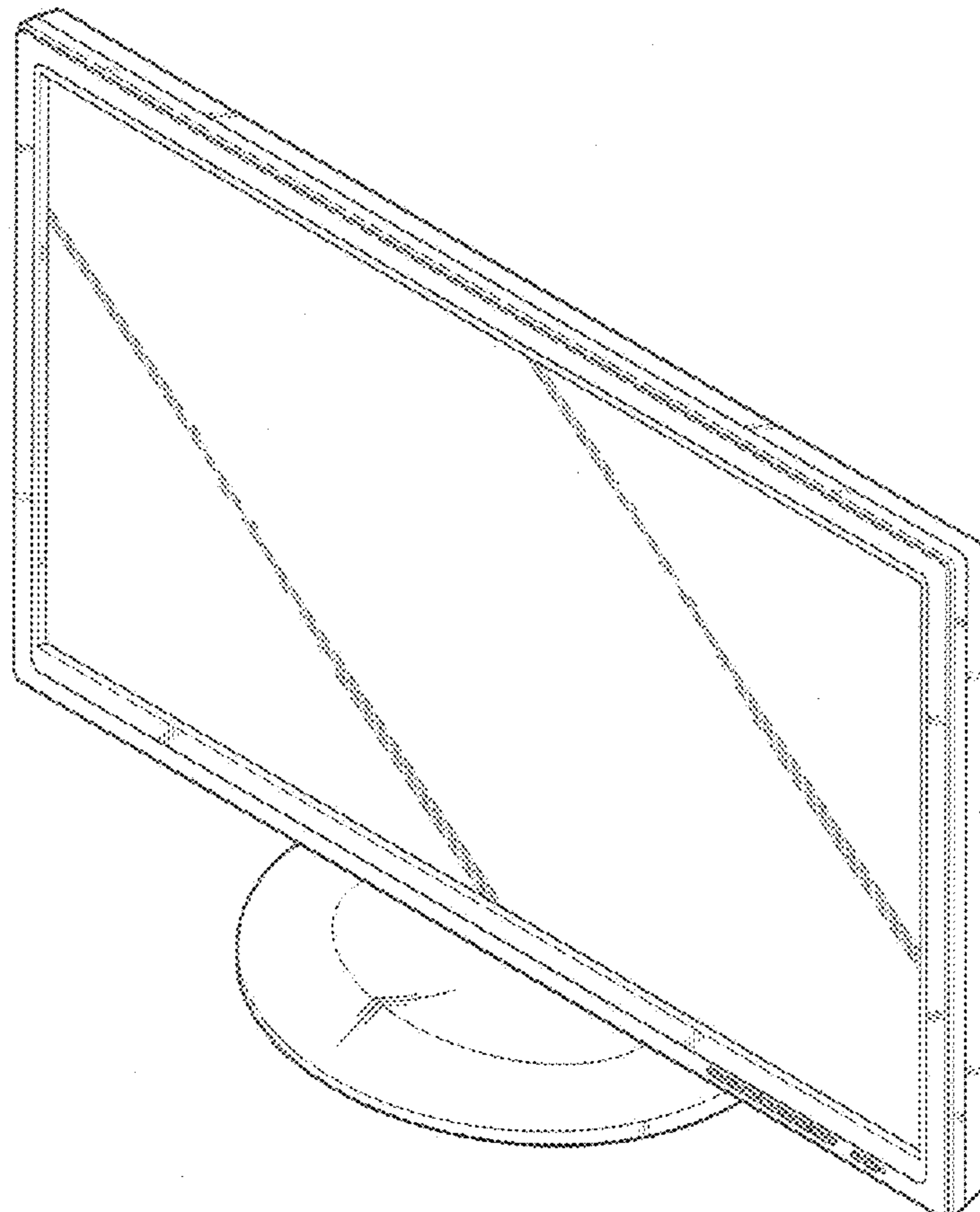


FIG. 1

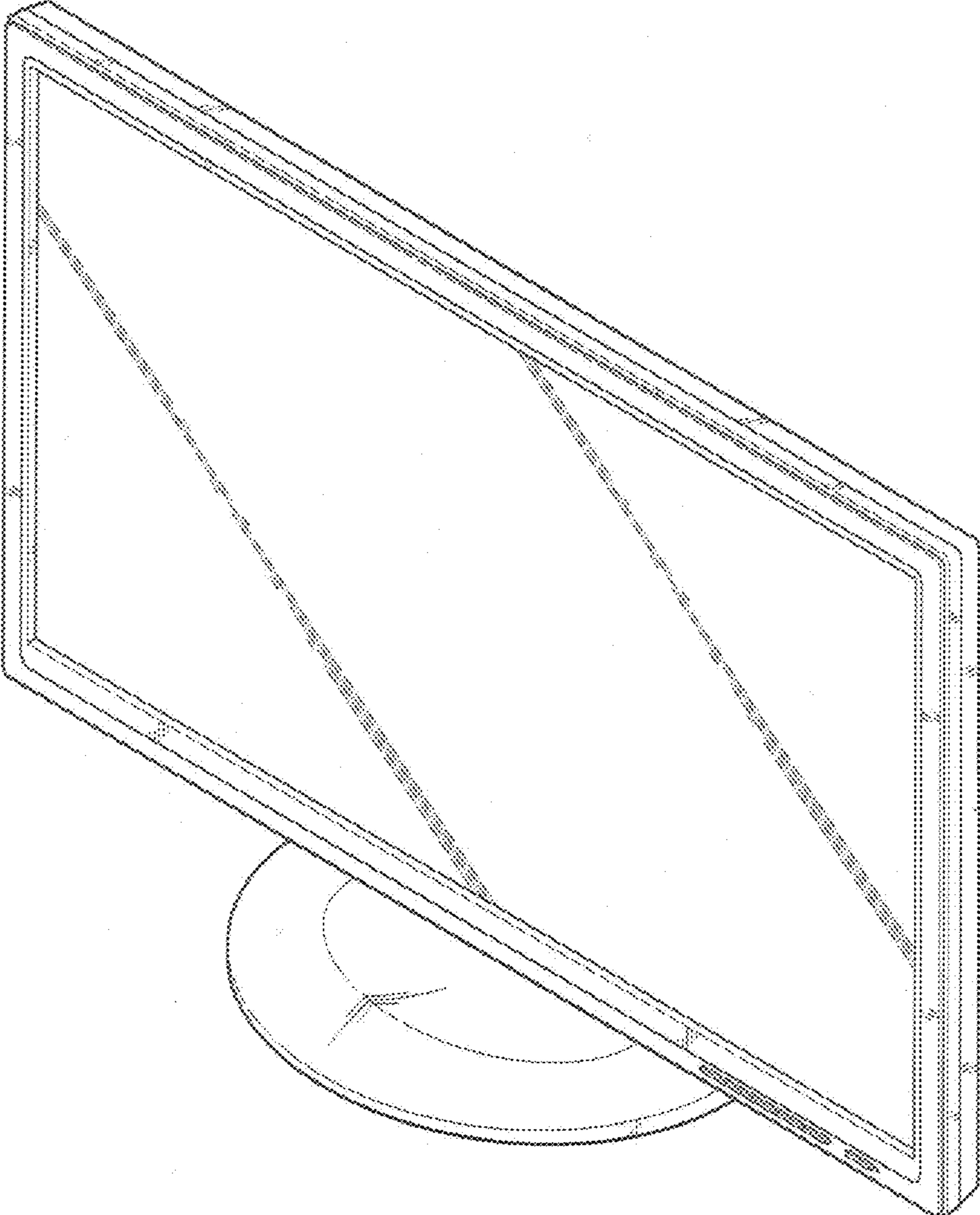


FIG. 2

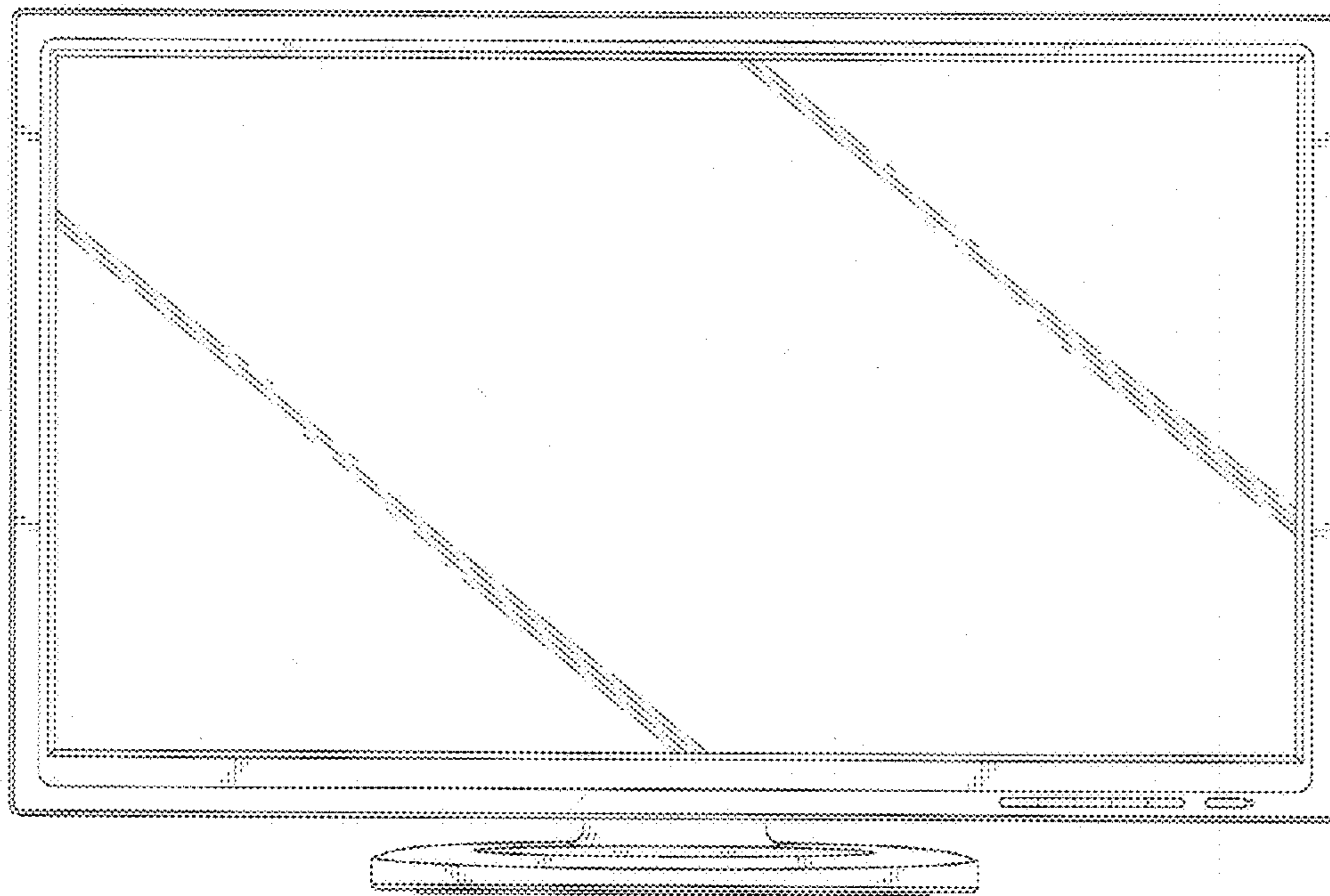


FIG. 3

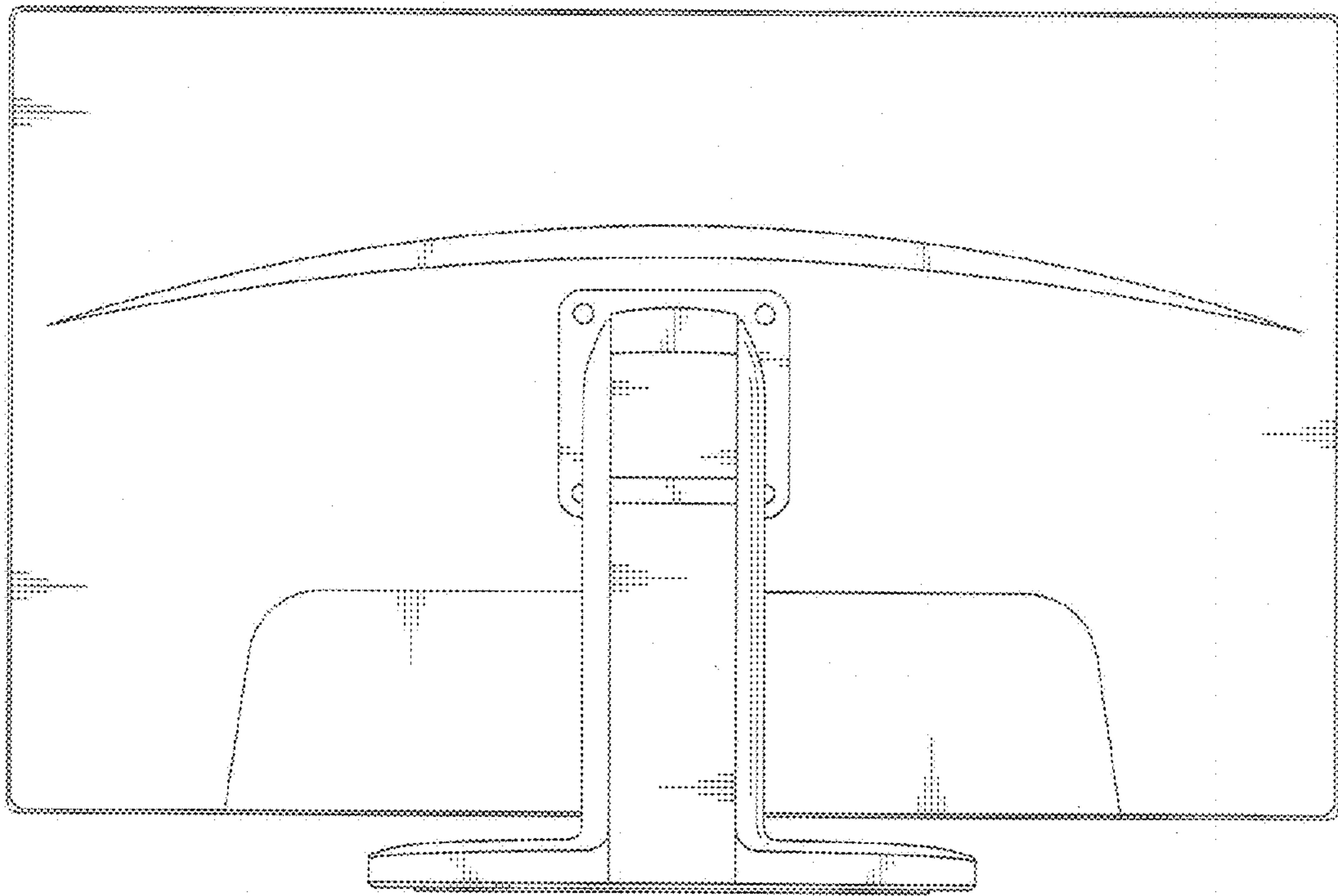


FIG. 4

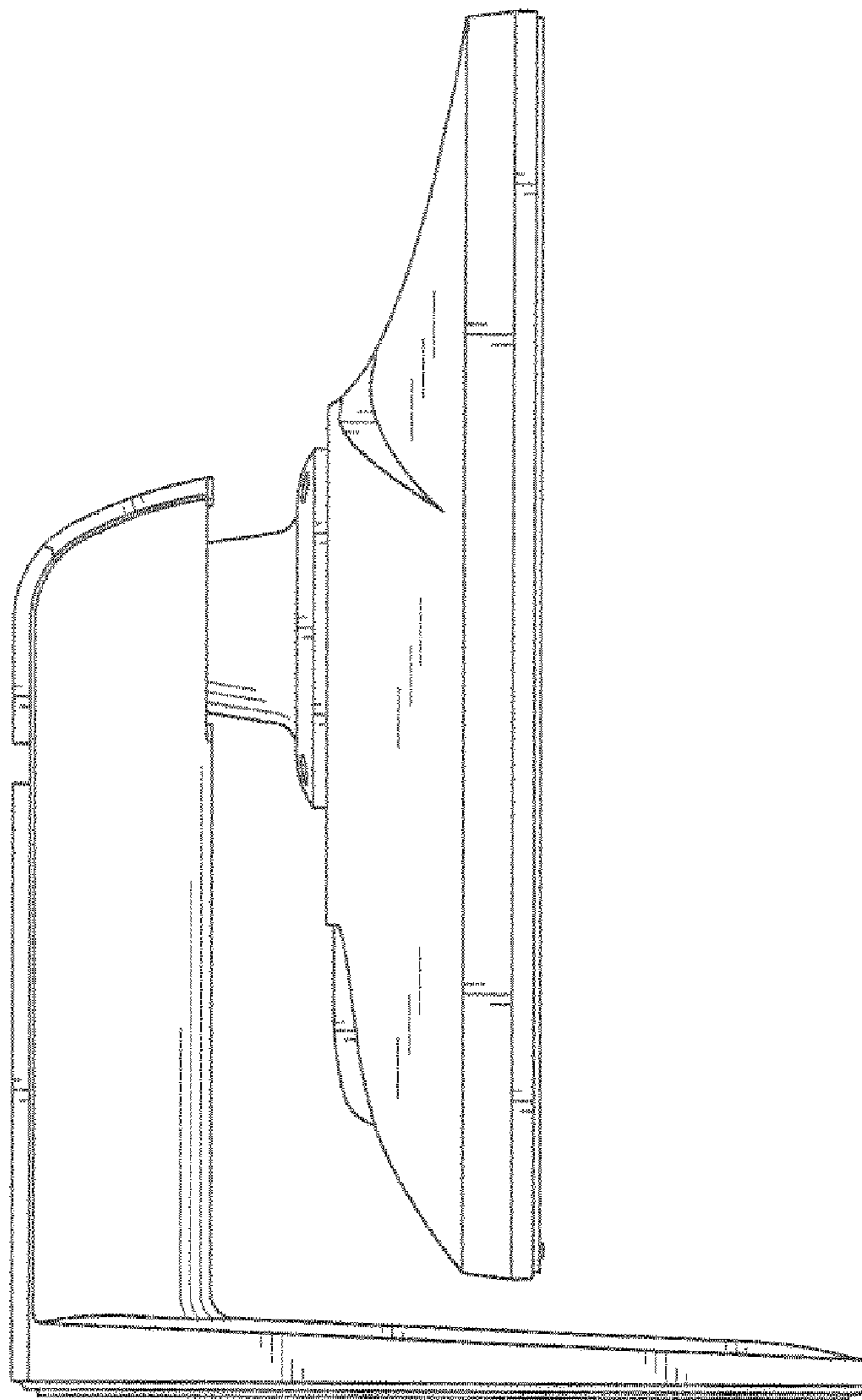


FIG. 5

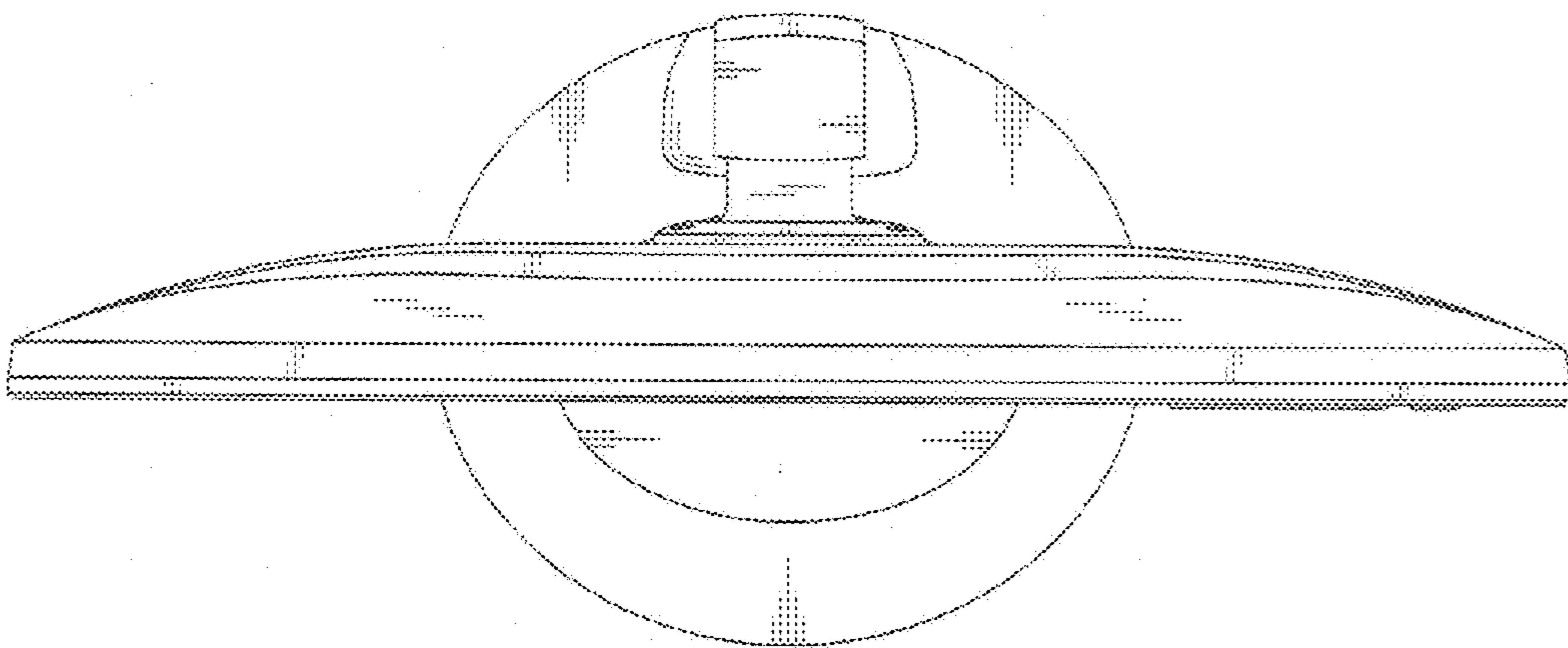


FIG. 6

