



US00D648336S

(12) **United States Design Patent**
Yagi

(10) **Patent No.:** **US D648,336 S**

(45) **Date of Patent:** **** Nov. 8, 2011**

(54) **DISPLAY DEVICE**

(75) Inventor: **Hidekazu Yagi**, Osaka (JP)

(73) Assignee: **Funai Electric Co., Ltd.**, Osaka (JP)

(**) Term: **14 Years**

(21) Appl. No.: **29/382,454**

(22) Filed: **Jan. 4, 2011**

(51) **LOC (9) Cl.** **14-02**

(52) **U.S. Cl.** **D14/374**

(58) **Field of Classification Search** D14/371-376,
D14/125-129, 336, 337; 248/917-924; 341/12;
345/104, 156, 173, 174, 901-905; 348/180,
348/184, 325, 739, 837; 361/679.01, 679.02,
361/679.21-679.25; 349/1, 2, 11, 58
See application file for complete search history.

(56) **References Cited**

U.S. PATENT DOCUMENTS

6,381,125 B1 * 4/2002 Mizoguchi et al. 361/679.08
D496,341 S * 9/2004 Nakata et al. D14/126

D529,913 S * 10/2006 Chen et al. D14/375
7,280,665 B2 * 10/2007 Tamura et al. 381/333
2002/0020792 A1 * 2/2002 Lee 248/278.1

* cited by examiner

Primary Examiner — Freda Nunn

(74) *Attorney, Agent, or Firm* — Sughrue Mion, PLLC

(57) **CLAIM**

The ornamental design for a display device, as shown and described.

DESCRIPTION

FIG. 1 is a perspective view of the top, front and right of a display device showing our new design;
FIG. 2 is a perspective view of the top, rear and right thereof;
FIG. 3 is a front view thereof;
FIG. 4 is a rear view thereof;
FIG. 5 is a top plan view thereof;
FIG. 6 is a bottom view thereof;
FIG. 7 is a left side view thereof; and,
FIG. 8 is a right side view thereof.

1 Claim, 6 Drawing Sheets

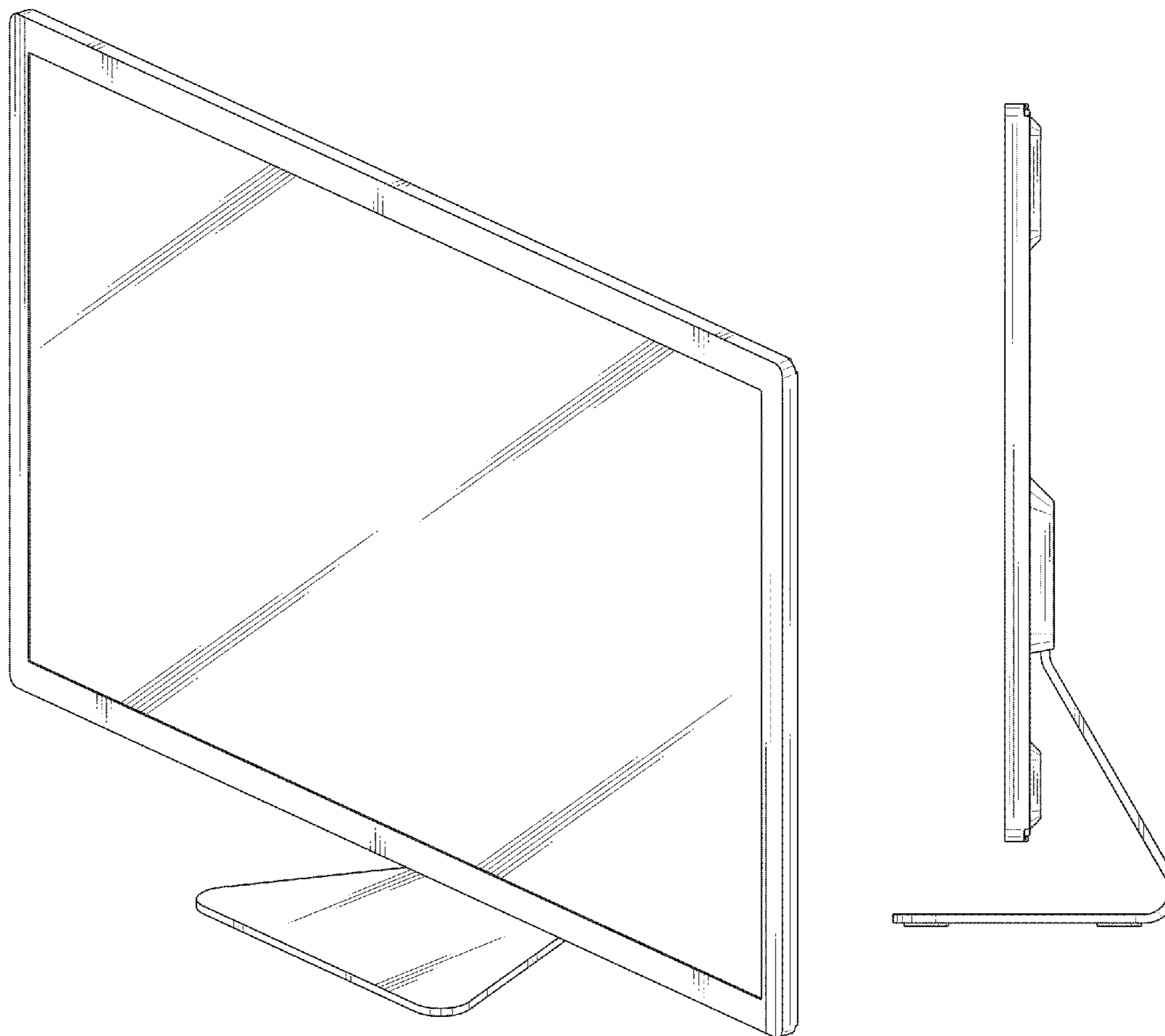


Fig. 1

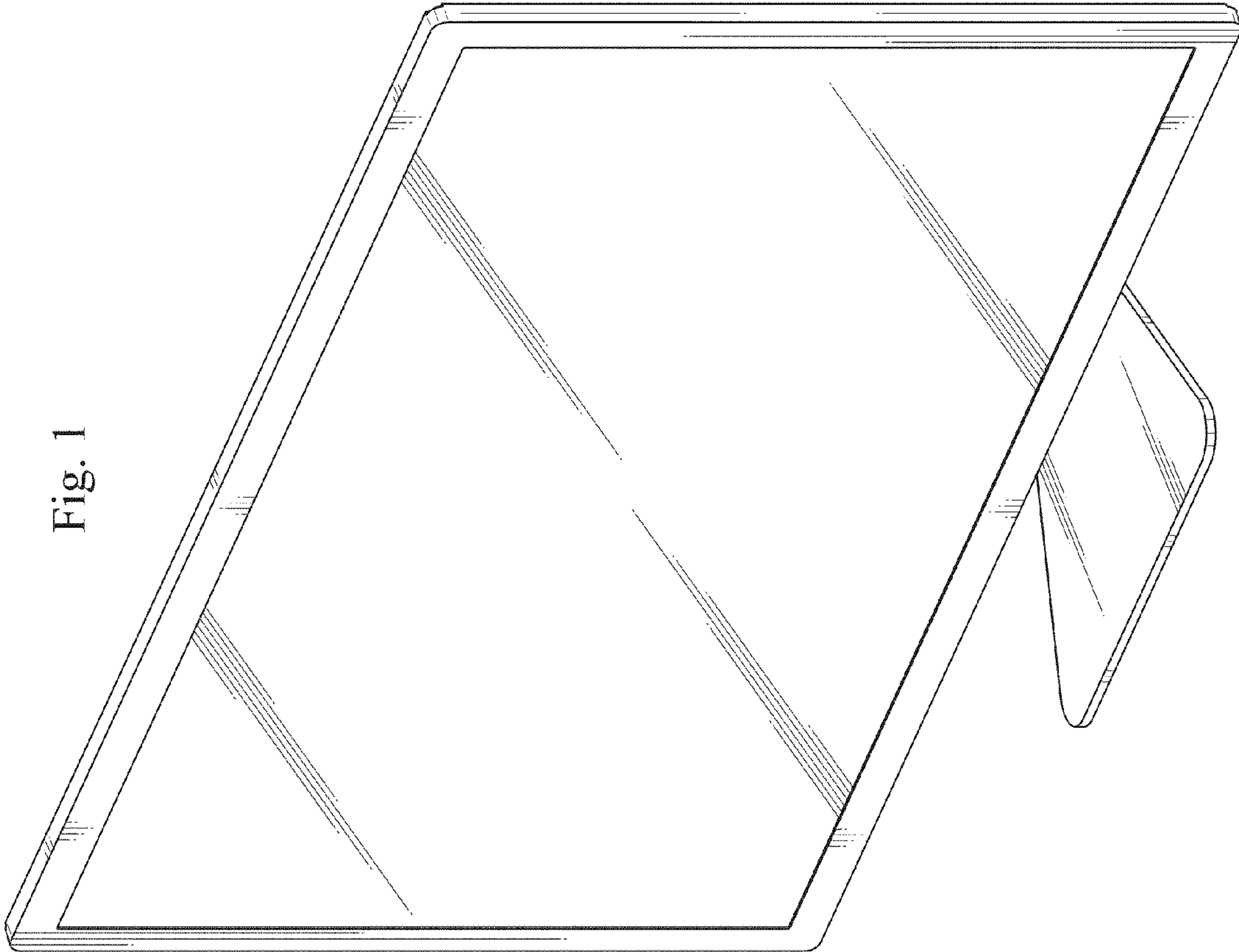


Fig. 2

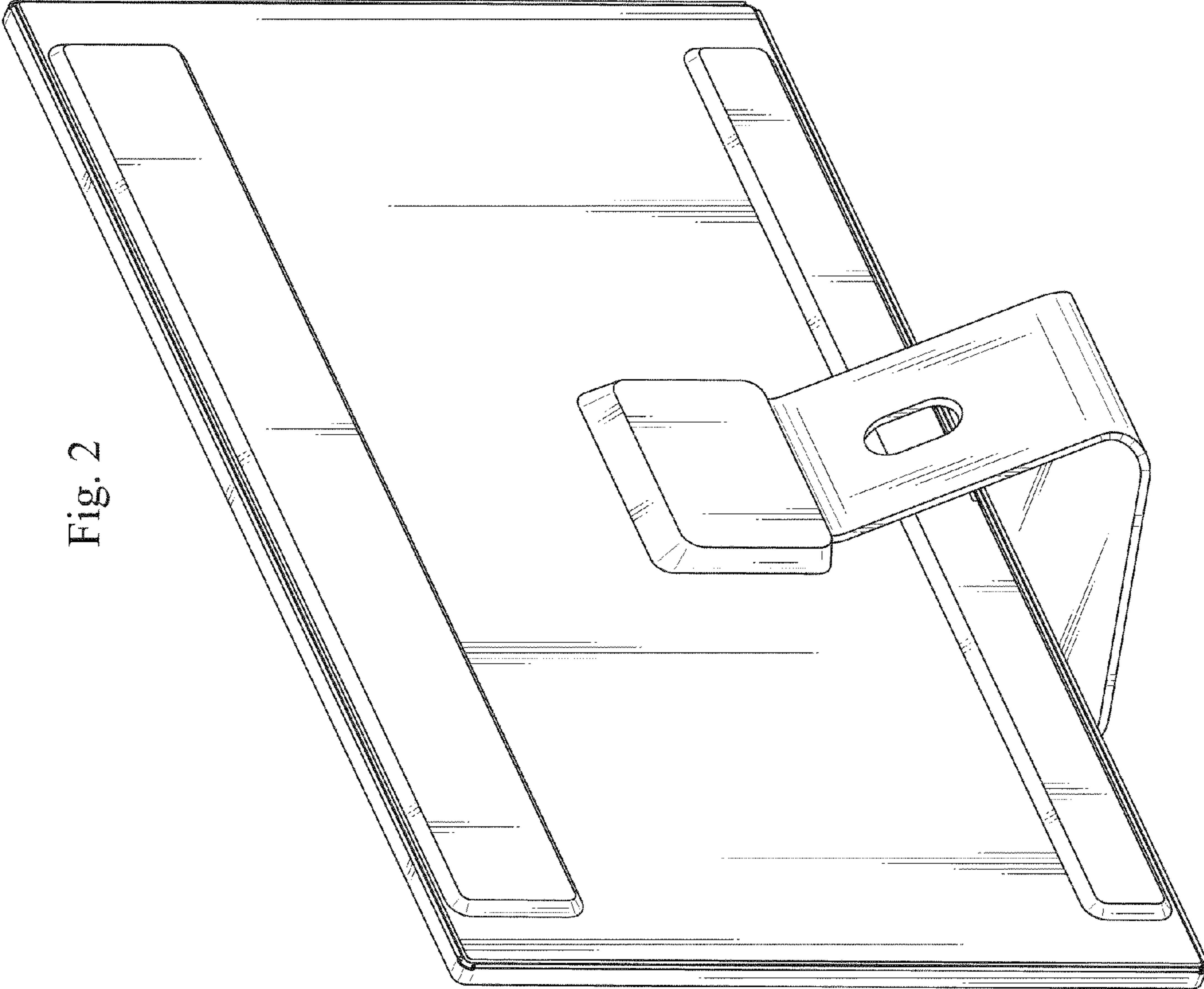


Fig. 3

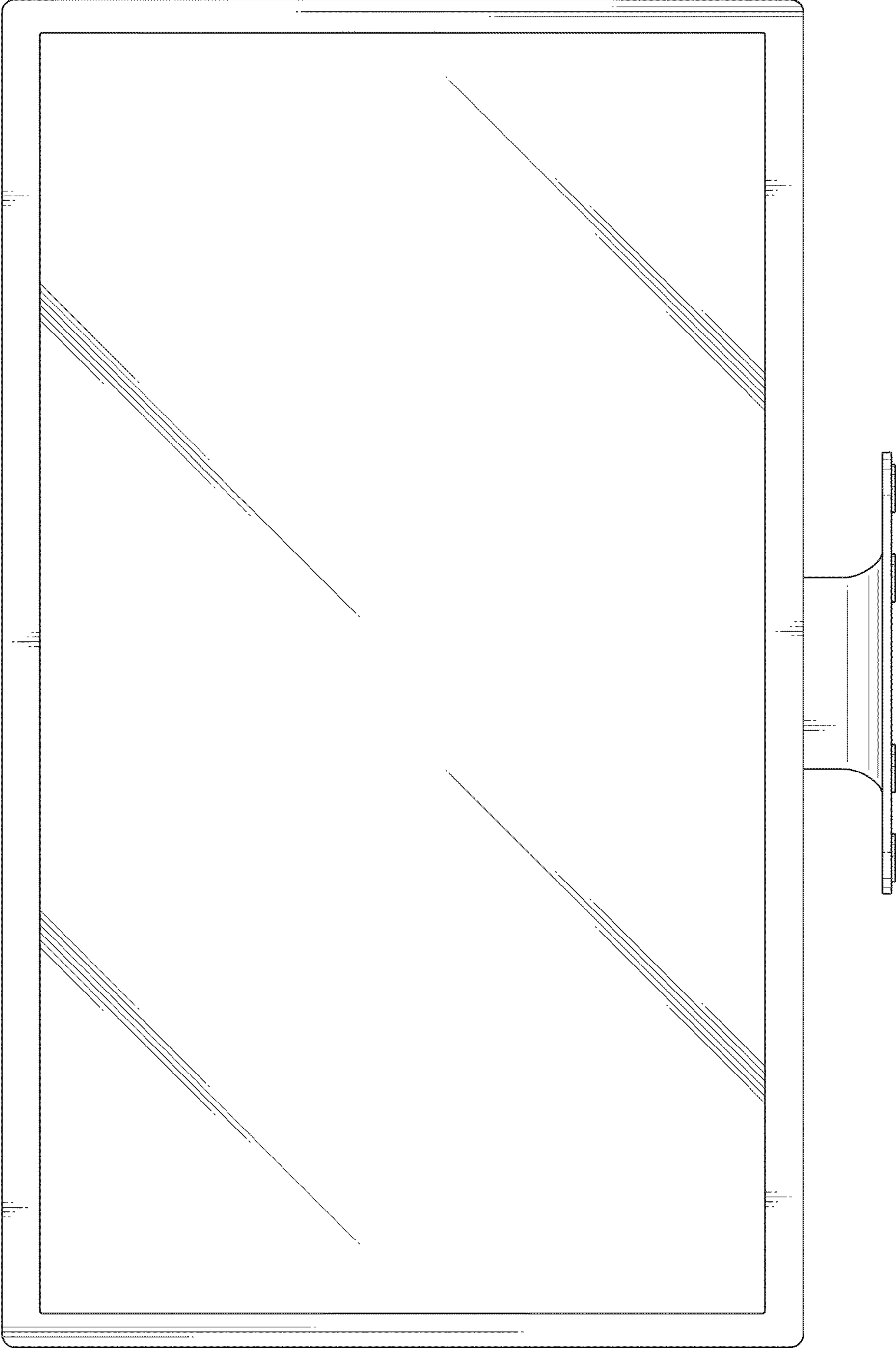


Fig. 4

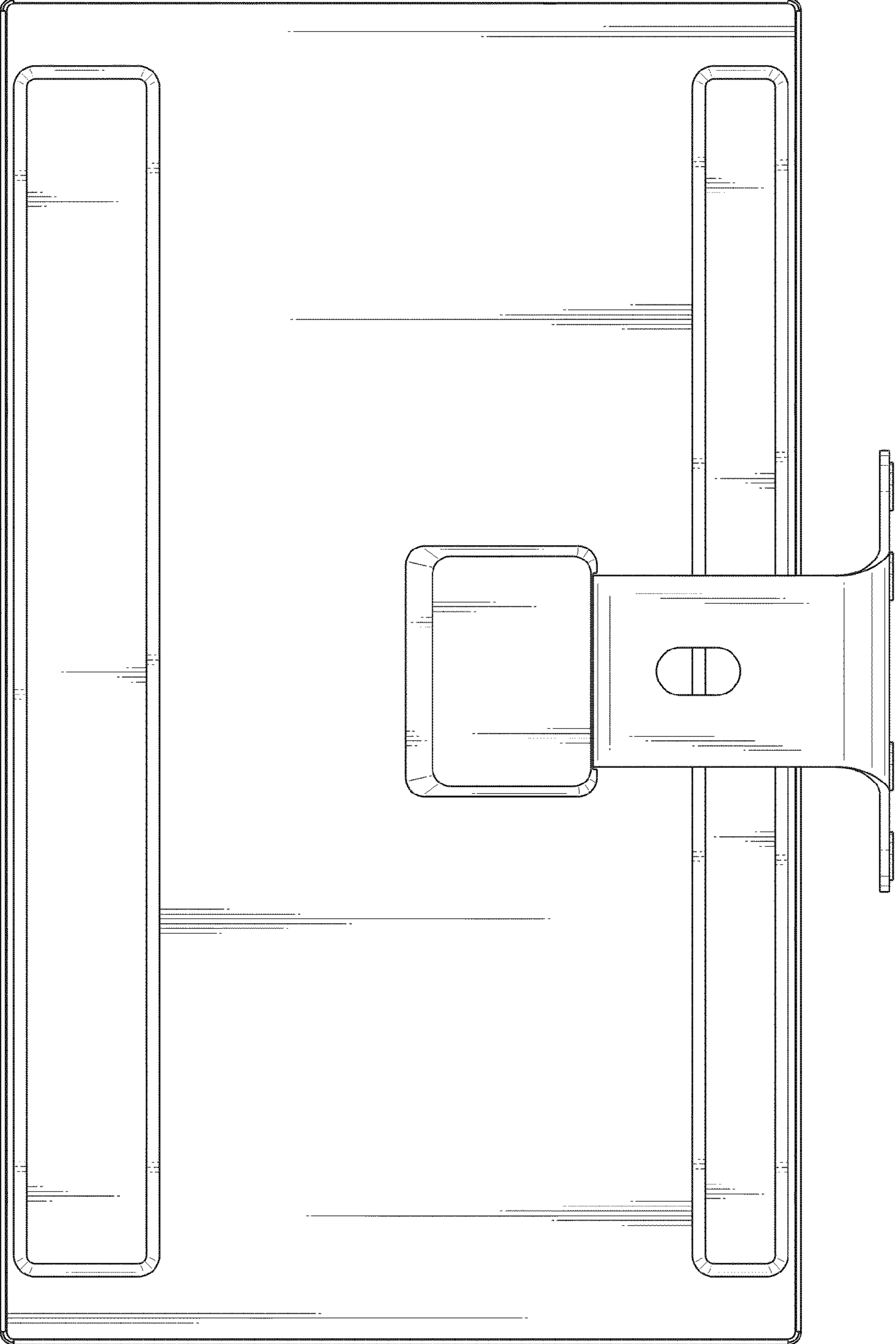


Fig. 5

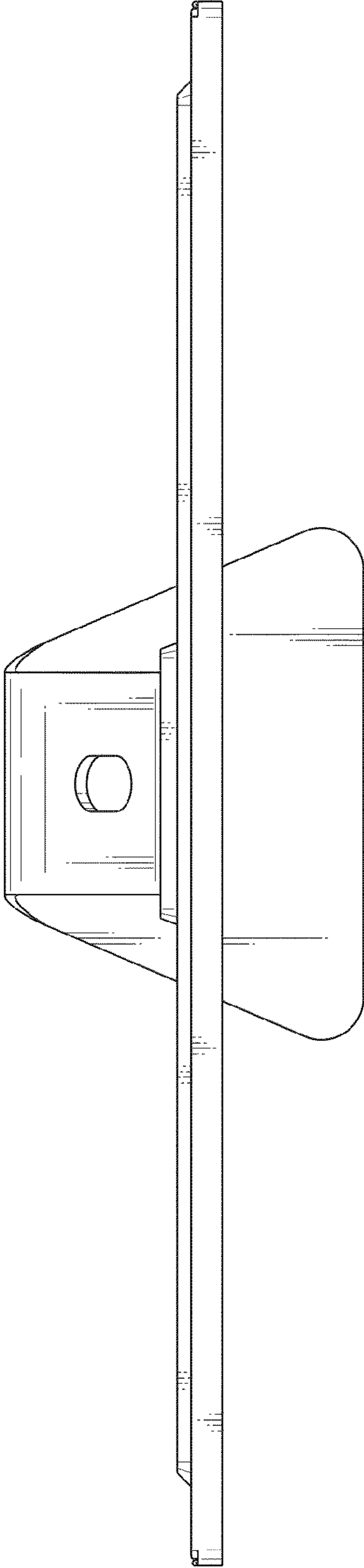


Fig. 6

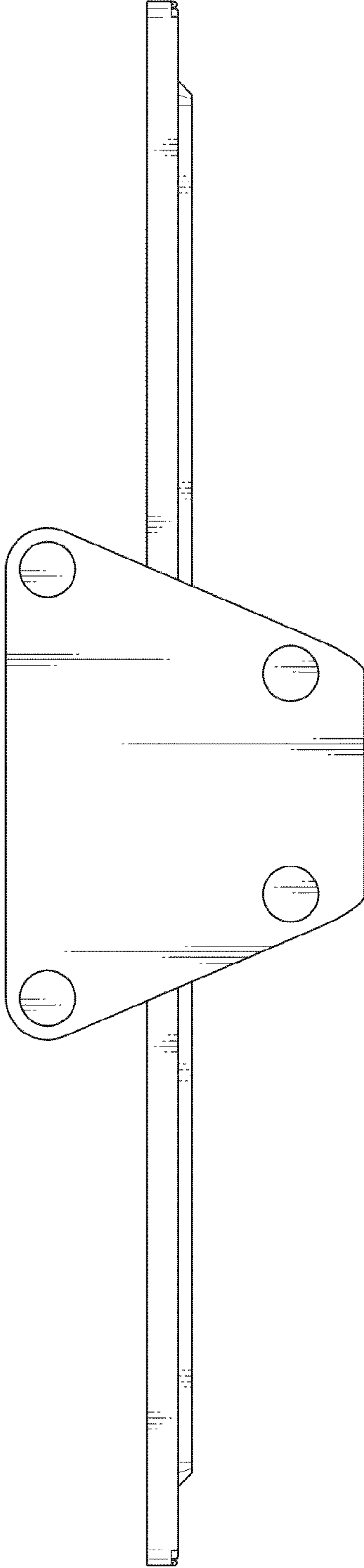


Fig. 8

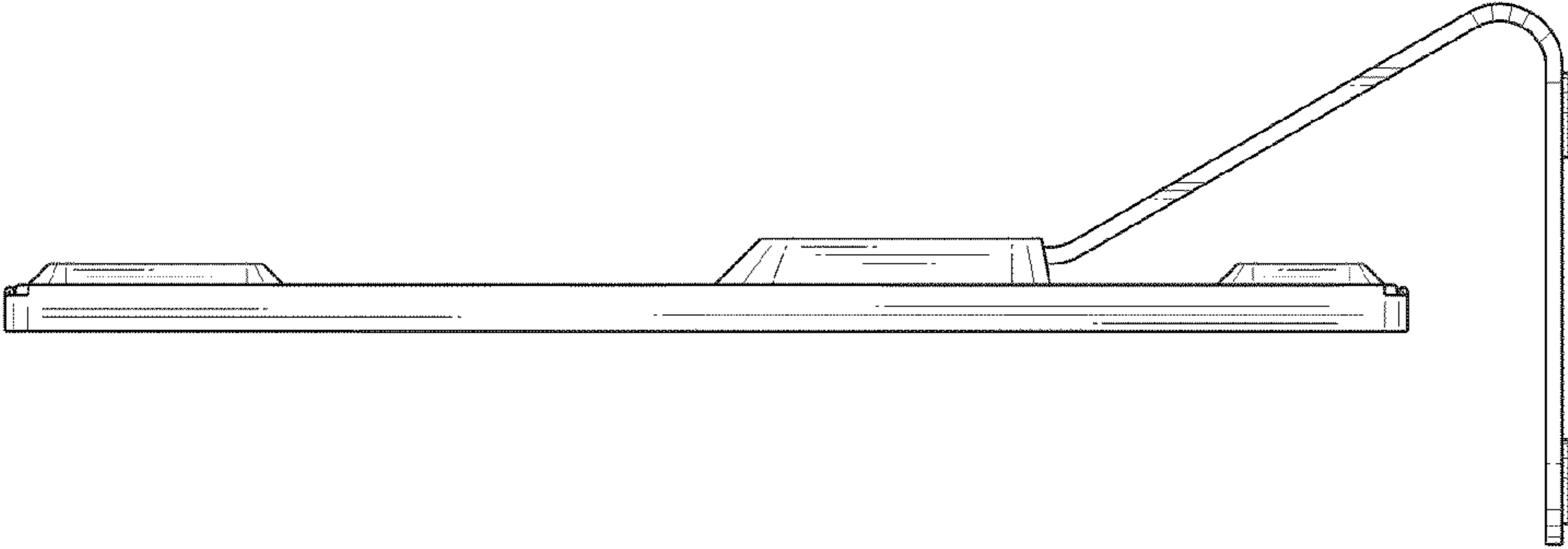


Fig. 7

