

US00D648328S

(12) **United States Design Patent**
Morimoto

(10) **Patent No.:** **US D648,328 S**

(45) **Date of Patent:** **** Nov. 8, 2011**

(54) **EARPHONE**

(75) Inventor: **So Morimoto**, Tokyo (JP)

(73) Assignee: **Sony Corporation**, Tokyo (JP)

(**) Term: **14 Years**

(21) Appl. No.: **29/371,311**

(22) Filed: **Dec. 28, 2010**

(30) **Foreign Application Priority Data**

Aug. 4, 2010 (CN) 2010 3 0262795

(51) **LOC (9) Cl.** **14-01**

(52) **U.S. Cl.** **D14/223**

(58) **Field of Classification Search** D14/205,
D14/206, 223, 188, 192; 181/129, 130, 135;
381/380, 381; 379/430, 431, 433.01, 433.02;
455/90.3, 575.2

See application file for complete search history.

(56) **References Cited**

U.S. PATENT DOCUMENTS

D431,553 S	10/2000	Suzuki	
D474,171 S	5/2003	Suzuki	
D484,166 S *	12/2003	Senda	D16/219
D485,548 S	1/2004	Obata	
D487,077 S	2/2004	Obata	
D566,104 S *	4/2008	Suzuki	D14/223
7,395,101 B2 *	7/2008	Kim	455/575.3
D587,248 S *	2/2009	Densho	D14/223
D587,249 S	2/2009	Densho	
D598,431 S *	8/2009	Densho	D14/223
D604,272 S	11/2009	Kitayama	
D607,880 S *	1/2010	Chung et al.	D14/223
D610,129 S	2/2010	Densho et al.	

D626,948 S *	11/2010	Nault	D14/223
D631,470 S *	1/2011	Yoneyama et al.	D14/223
D632,677 S *	2/2011	Brown et al.	D14/223
D635,558 S *	4/2011	Zheng	D14/223
D637,180 S *	5/2011	Shimizu et al.	D14/223
D639,283 S *	6/2011	Ozawa et al.	D14/223
D641,011 S *	7/2011	Gondo	D14/223

* cited by examiner

Primary Examiner — Paula Greene

(74) *Attorney, Agent, or Firm* — Rader, Fishman & Grauer PLLC

(57) **CLAIM**

The ornamental design for an earphone, as shown and described.

DESCRIPTION

FIG. 1 is a front, top, right perspective view of a first embodiment of an earphone showing my new design;
 FIG. 2 is a front, top, left perspective view thereof;
 FIG. 3 is a front elevational view thereof;
 FIG. 4 is a rear elevational view thereof;
 FIG. 5 is a left side elevational view thereof;
 FIG. 6 is a right side elevational view thereof;
 FIG. 7 is a top plan view thereof; and
 FIG. 8 is a bottom plan view thereof.
 FIG. 9 is a front, top, right perspective view of a second embodiment of an earphone showing my new design;
 FIG. 10 is a front, top, left perspective view thereof;
 FIG. 11 is a front elevational view thereof;
 FIG. 12 is a rear elevational view thereof;
 FIG. 13 is a left side elevational view thereof;
 FIG. 14 is a right side elevational view thereof;
 FIG. 15 is a top plan view thereof; and,
 FIG. 16 is a bottom plan view thereof.

1 Claim, 16 Drawing Sheets

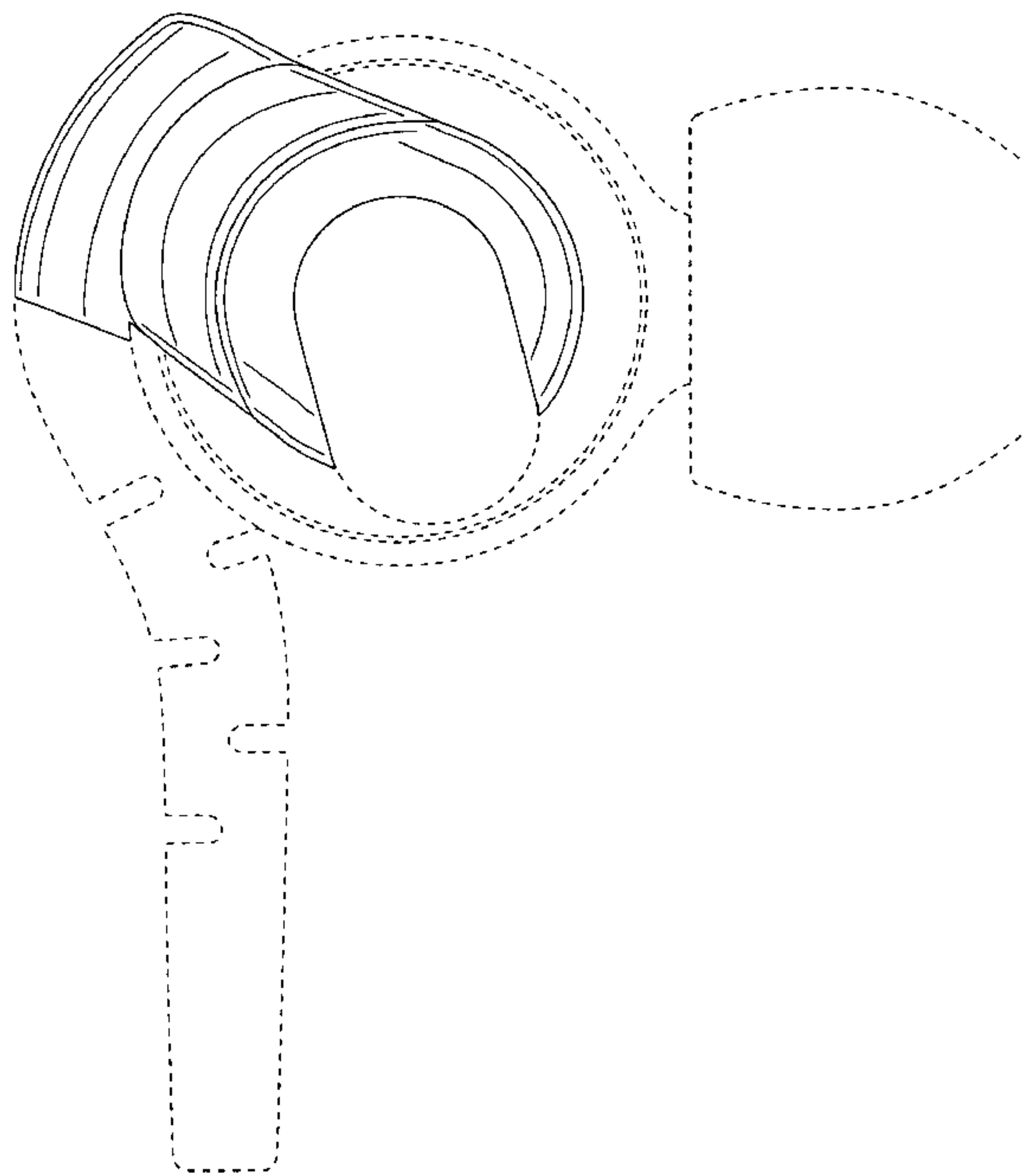
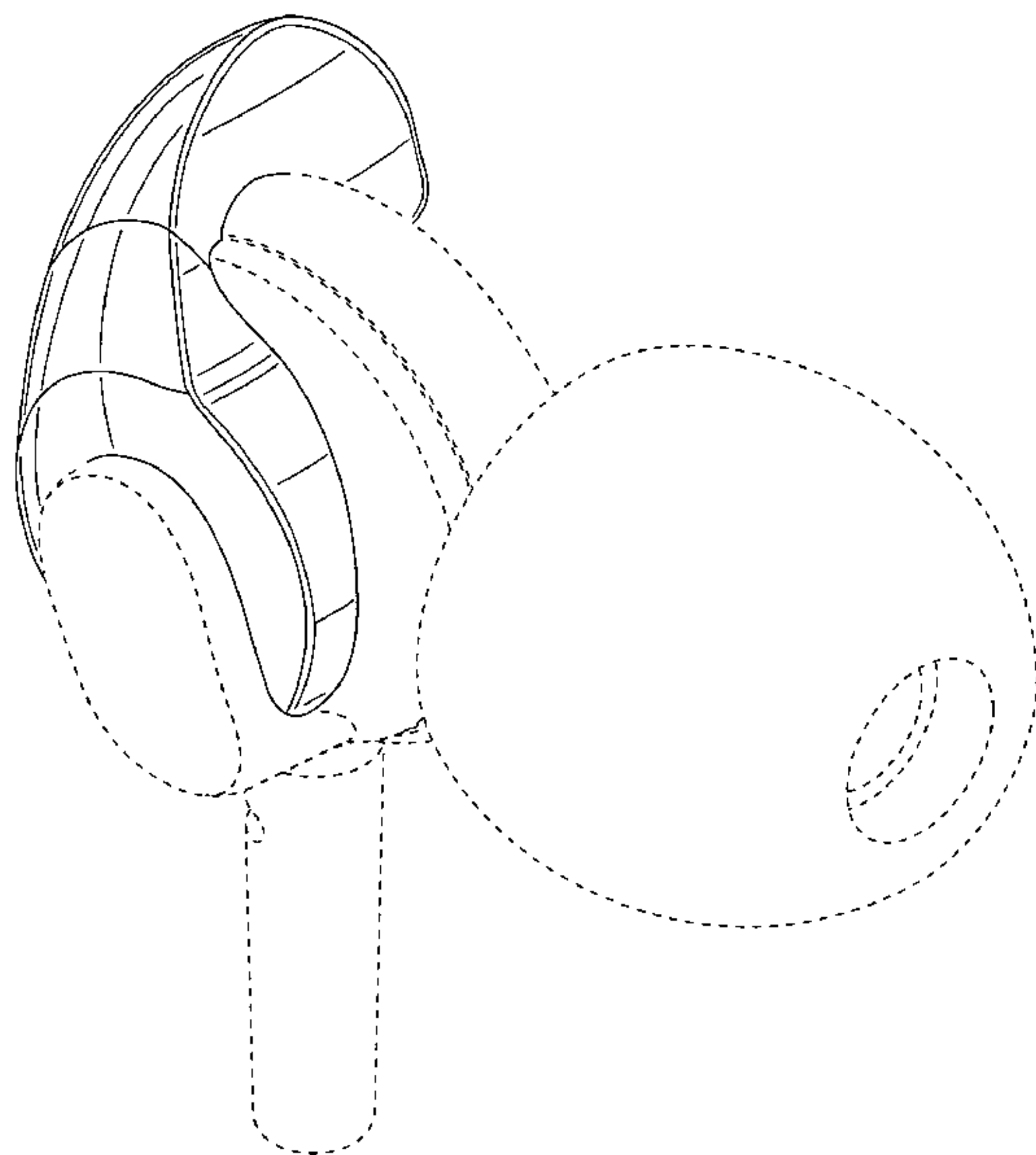


FIG.1

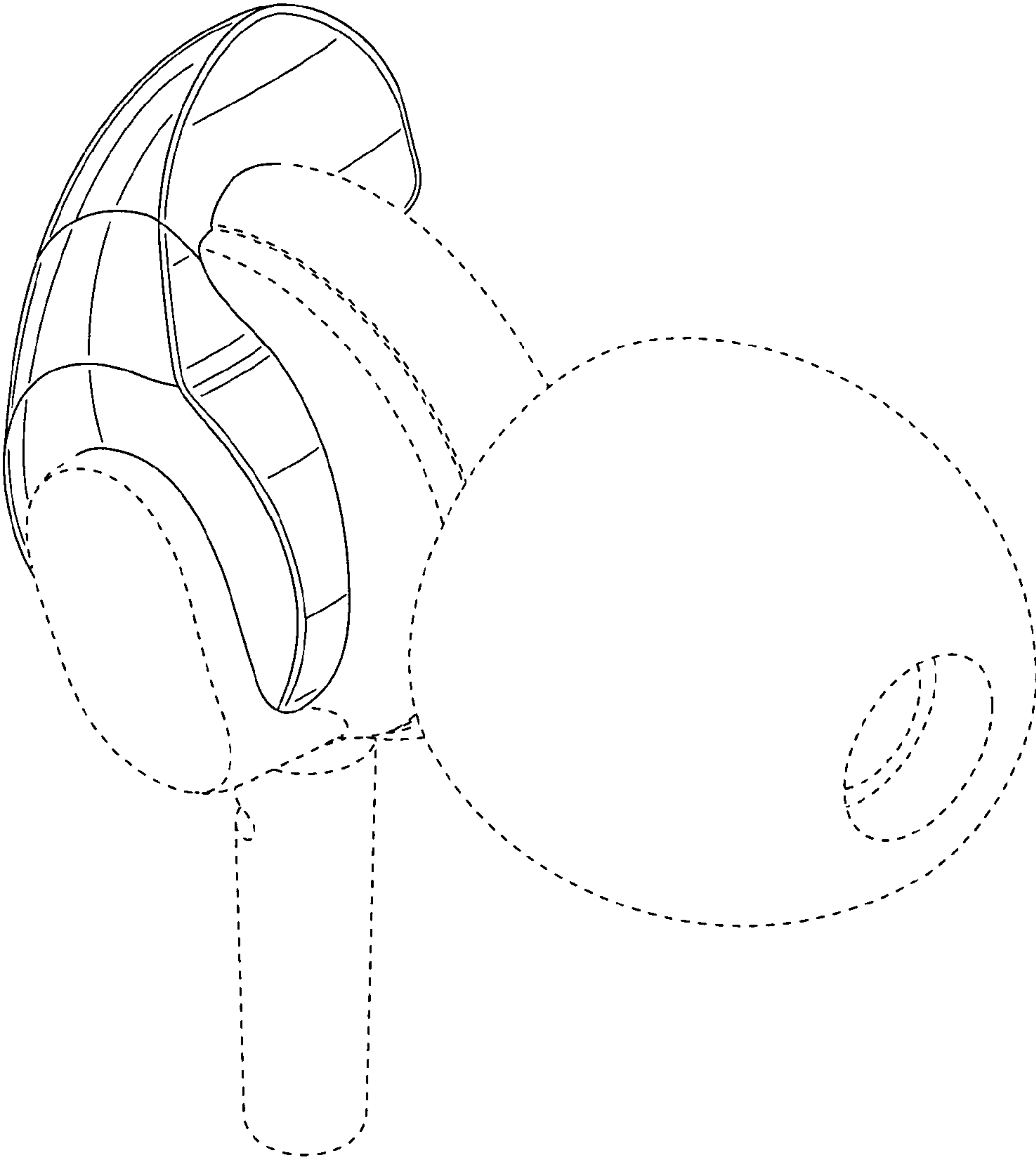


FIG.2

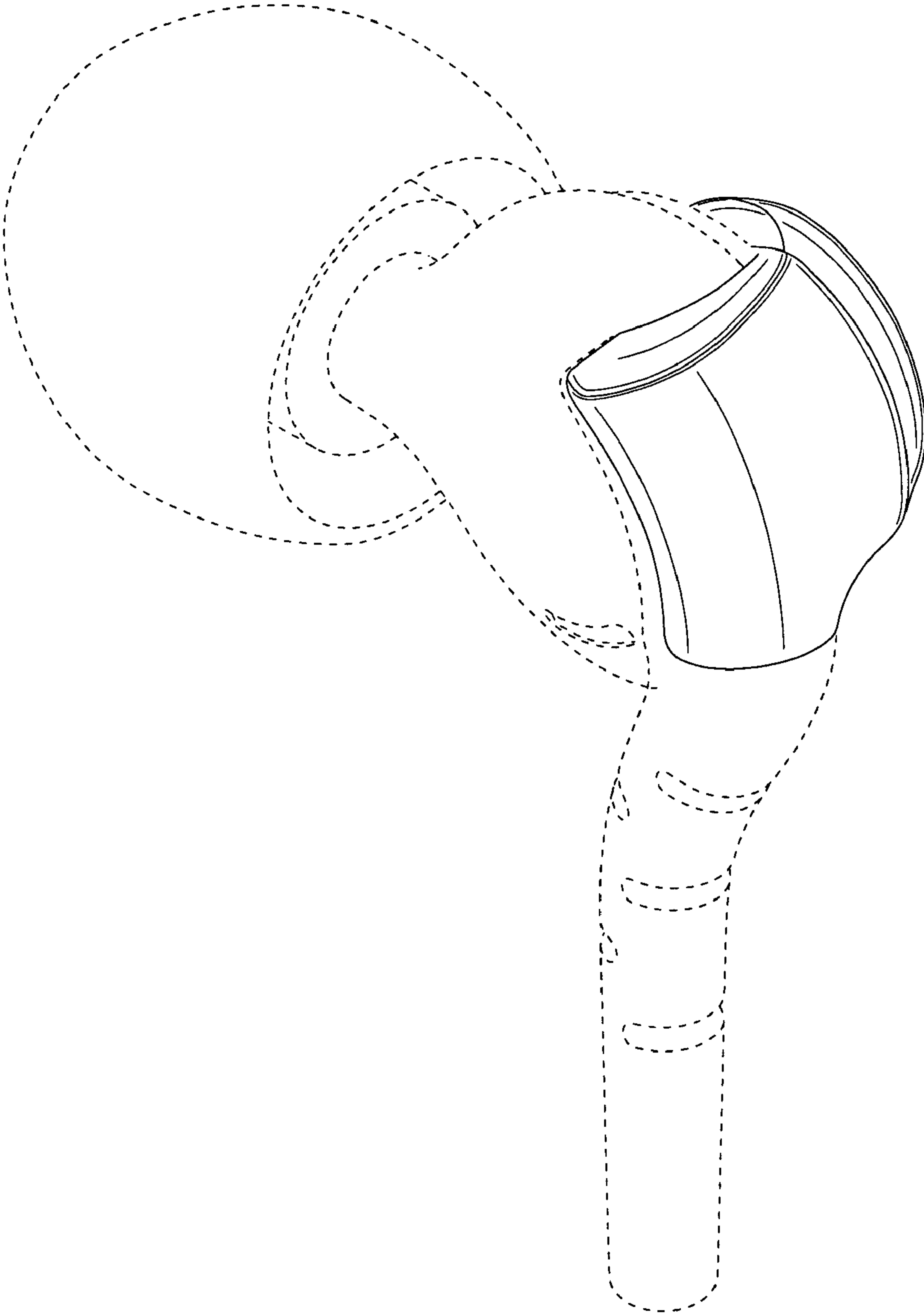


FIG.3

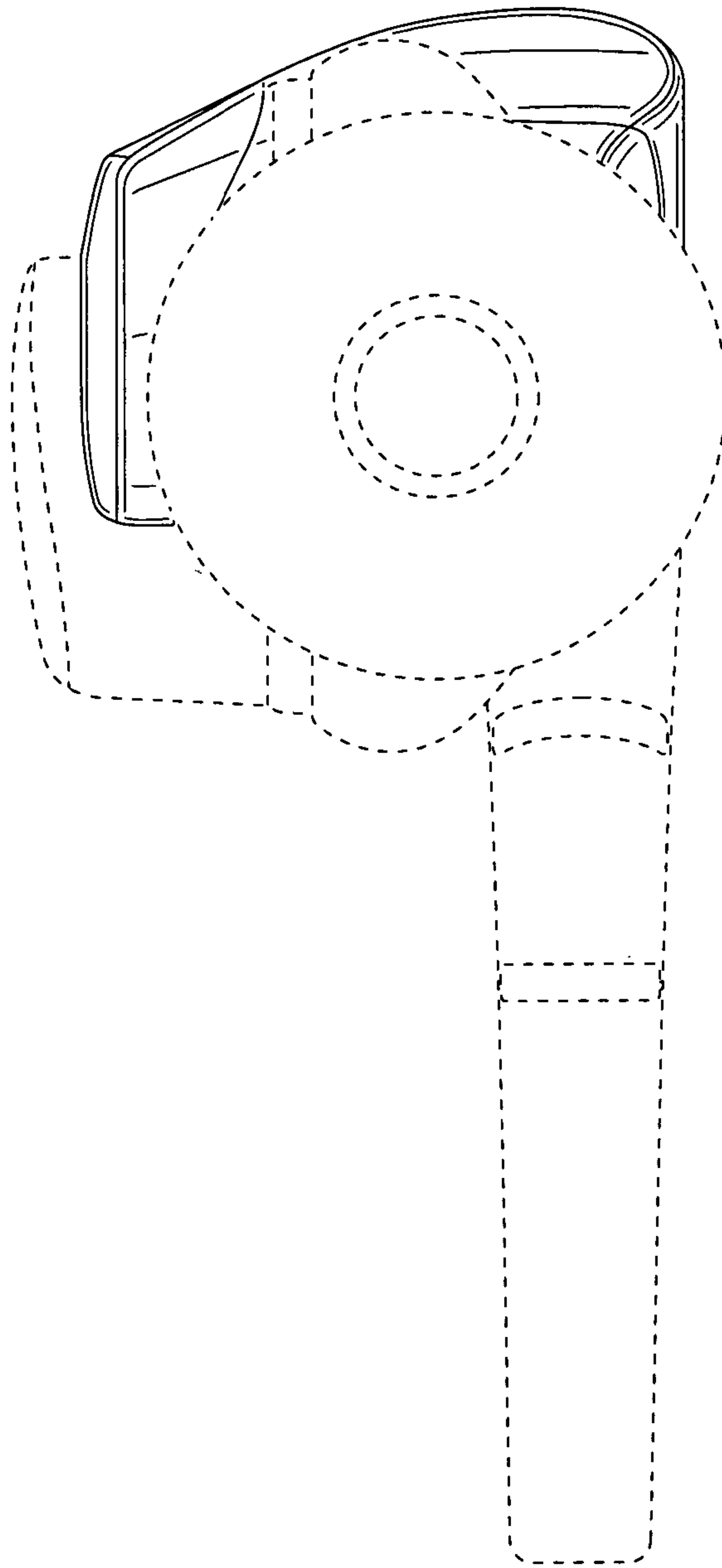


FIG.4

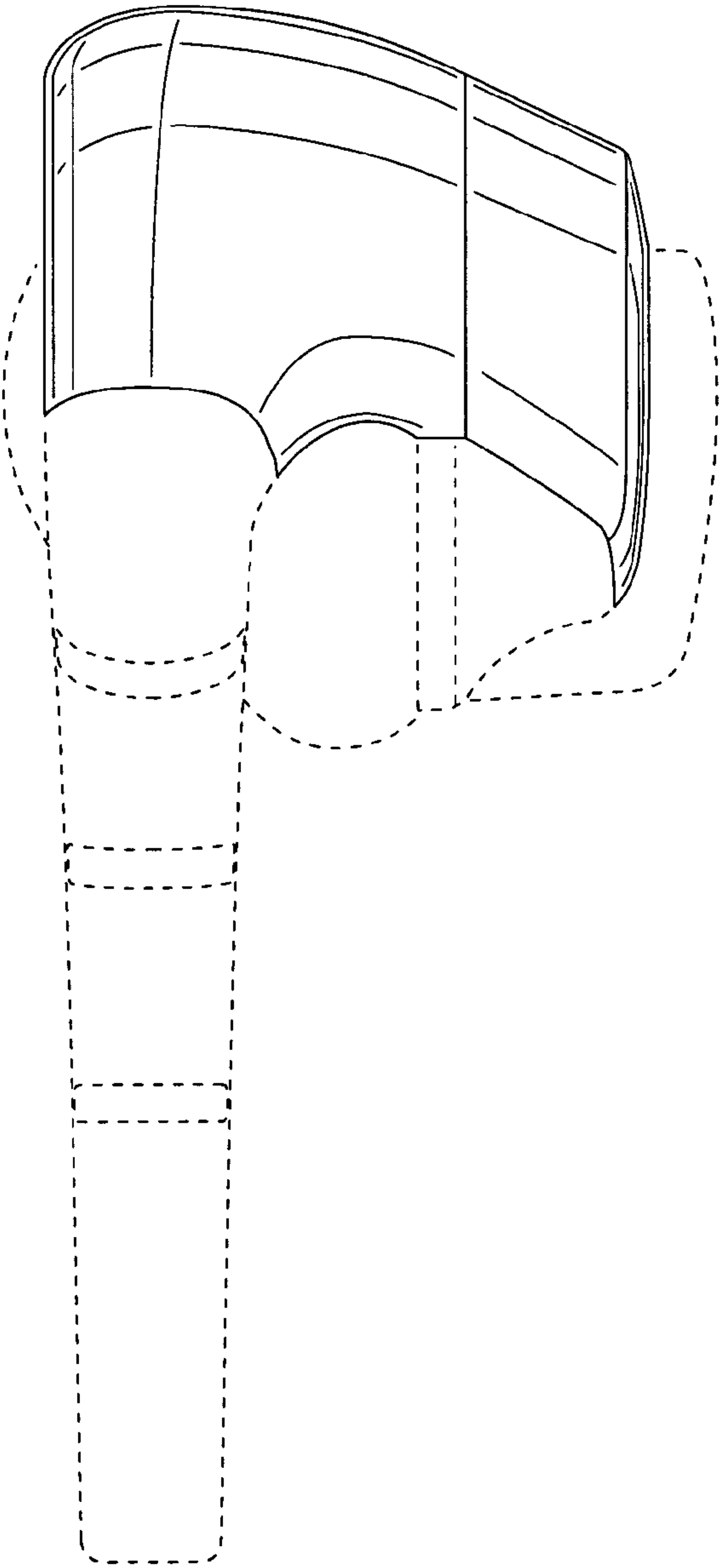


FIG.5

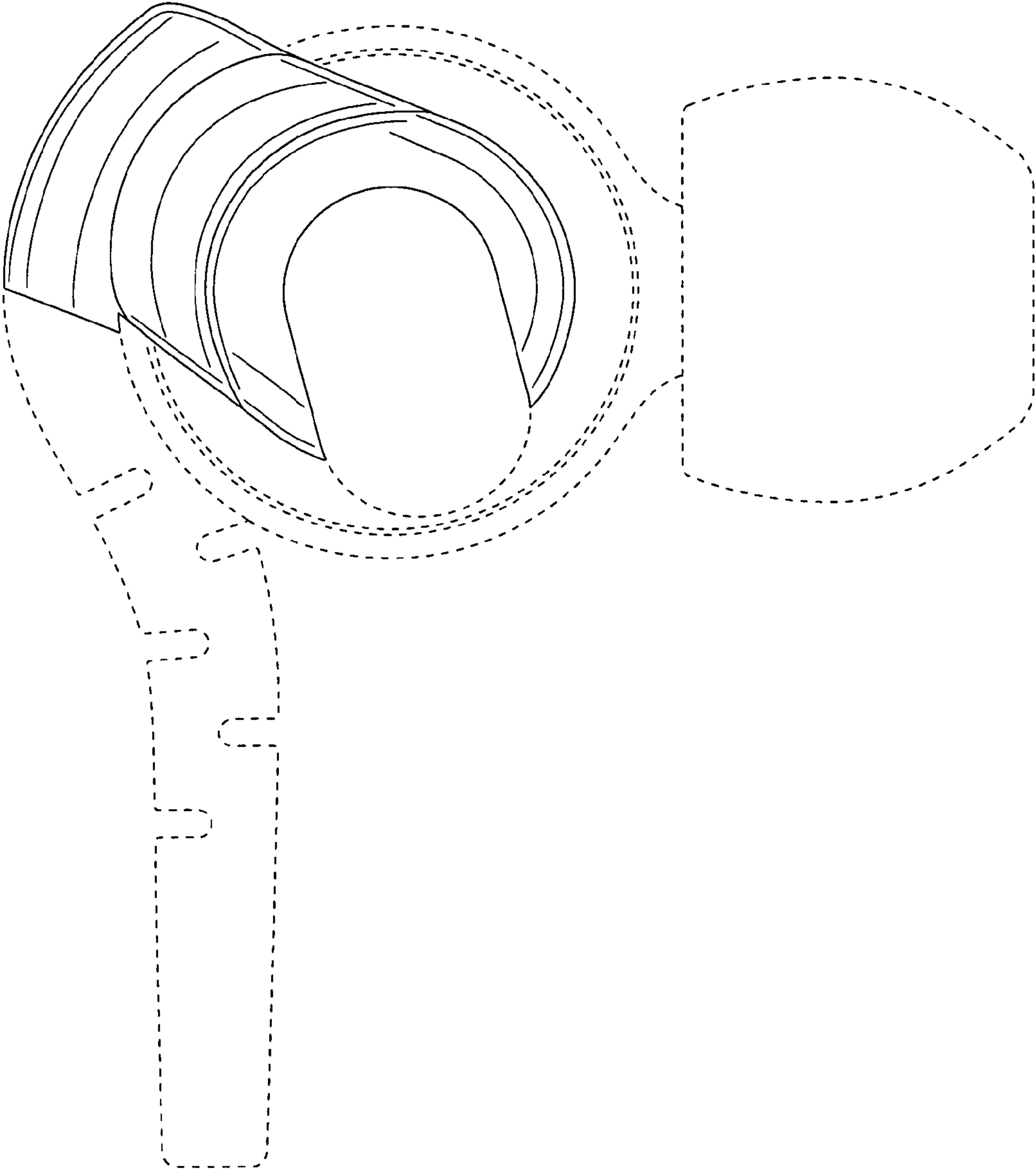


FIG.6

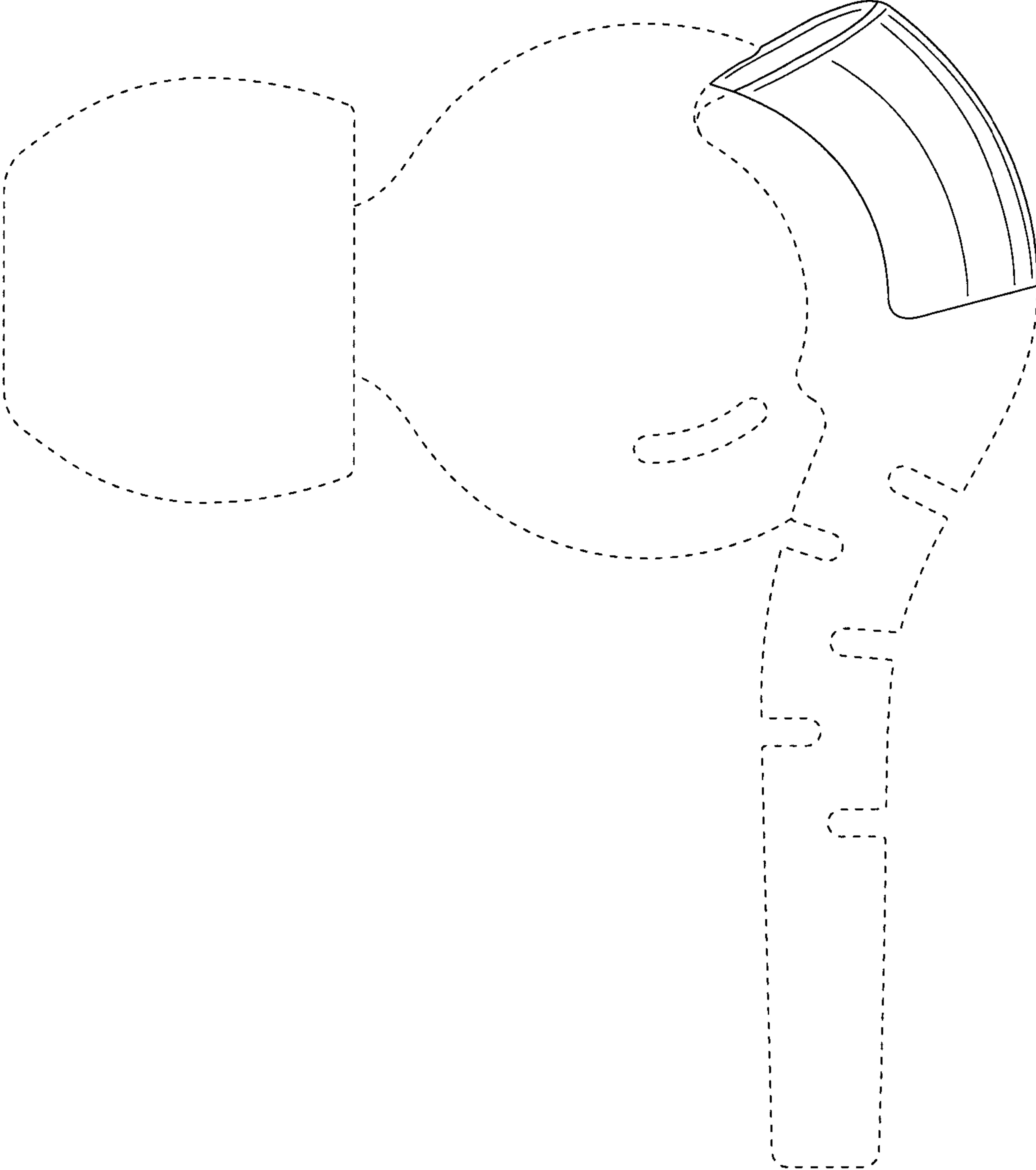


FIG.7

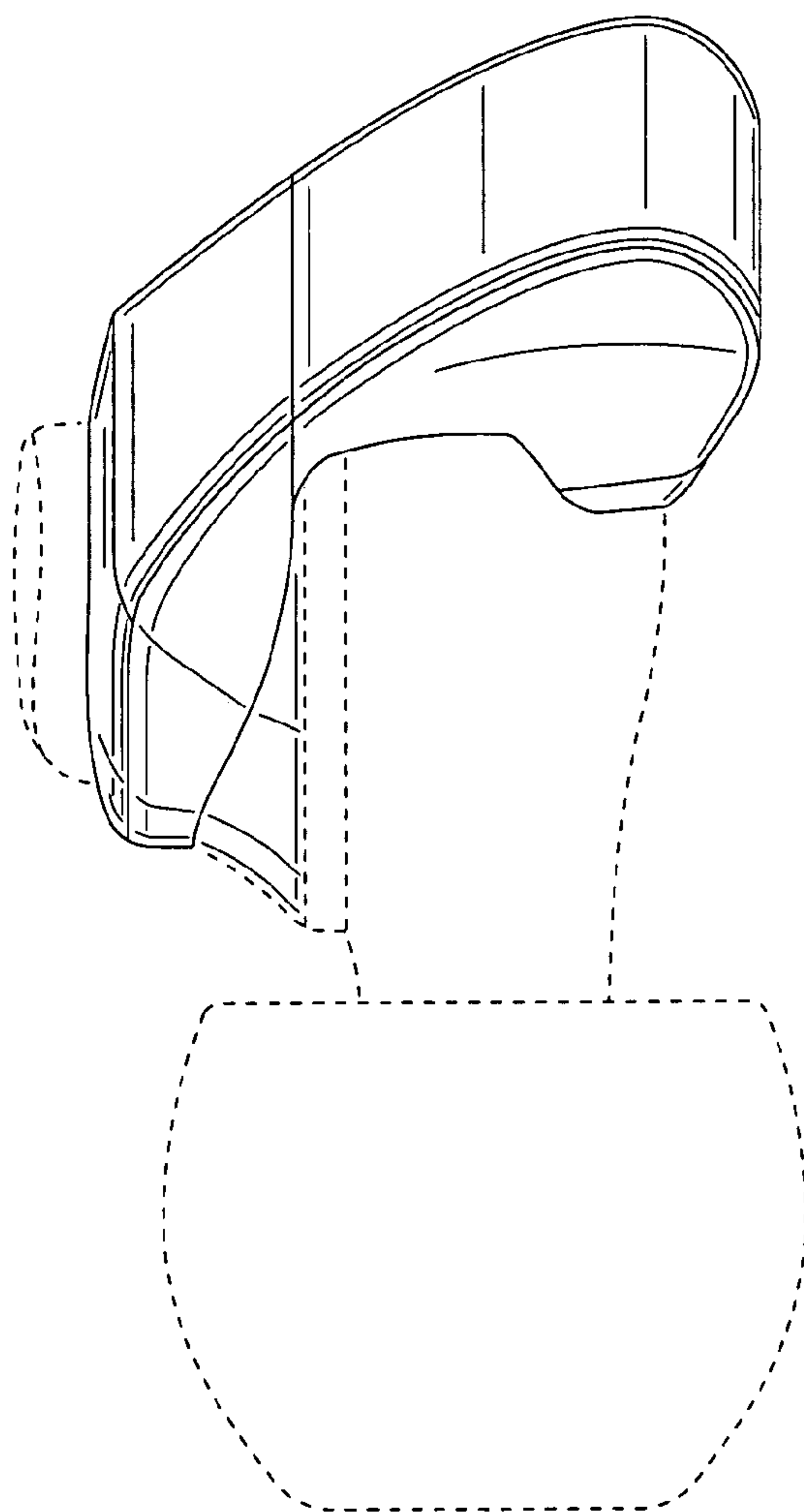


FIG.8

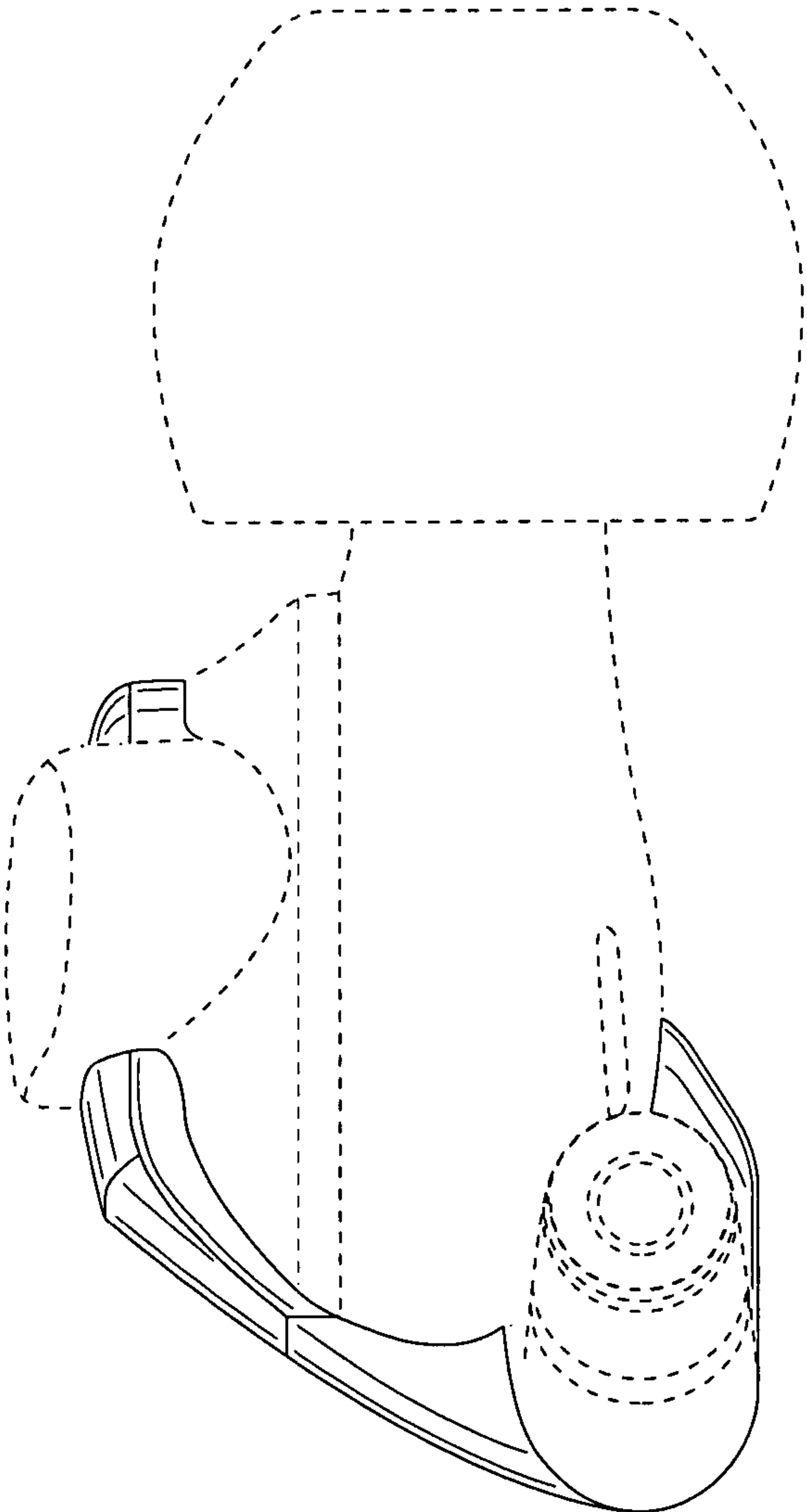


FIG.9

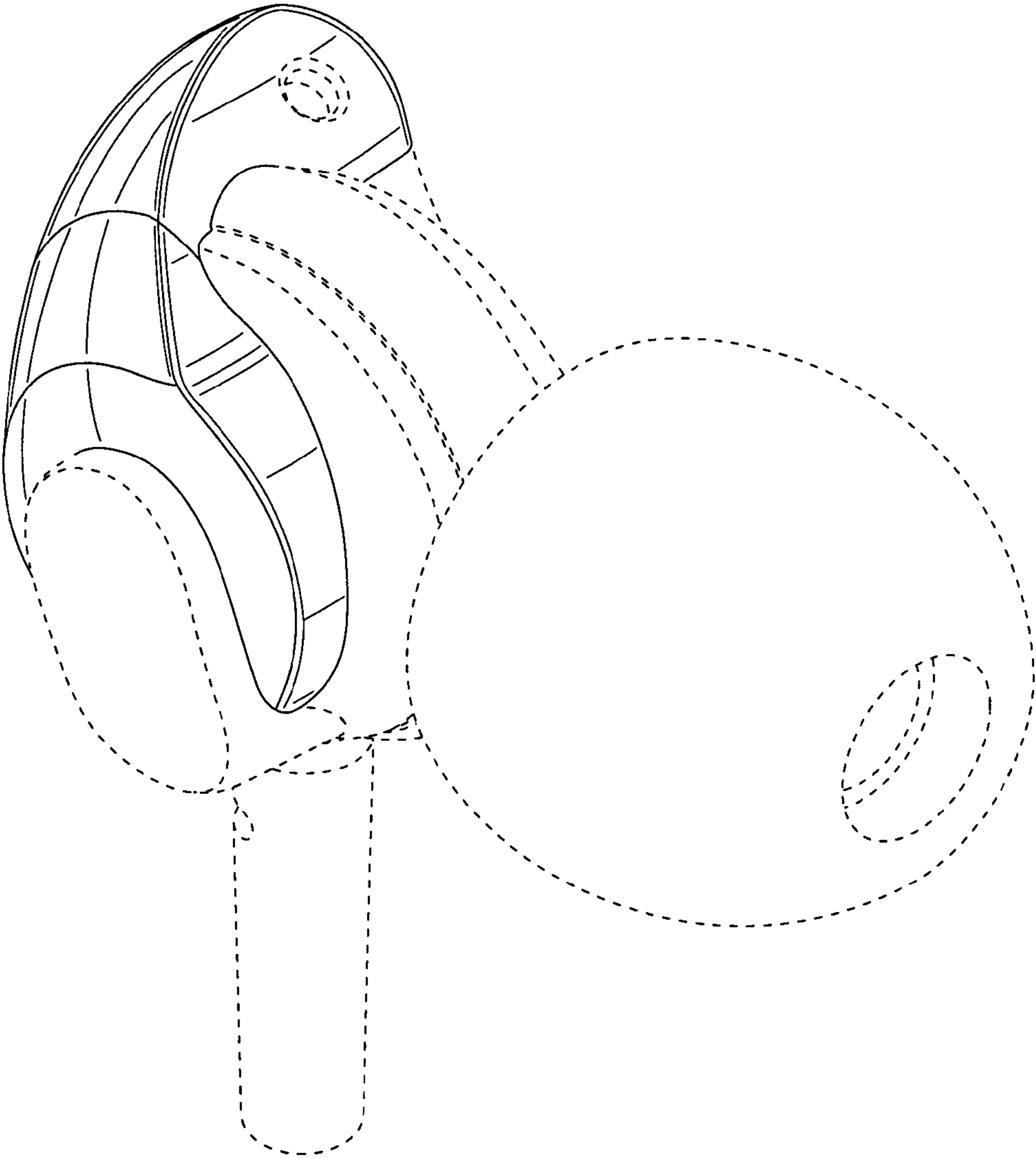


FIG.10

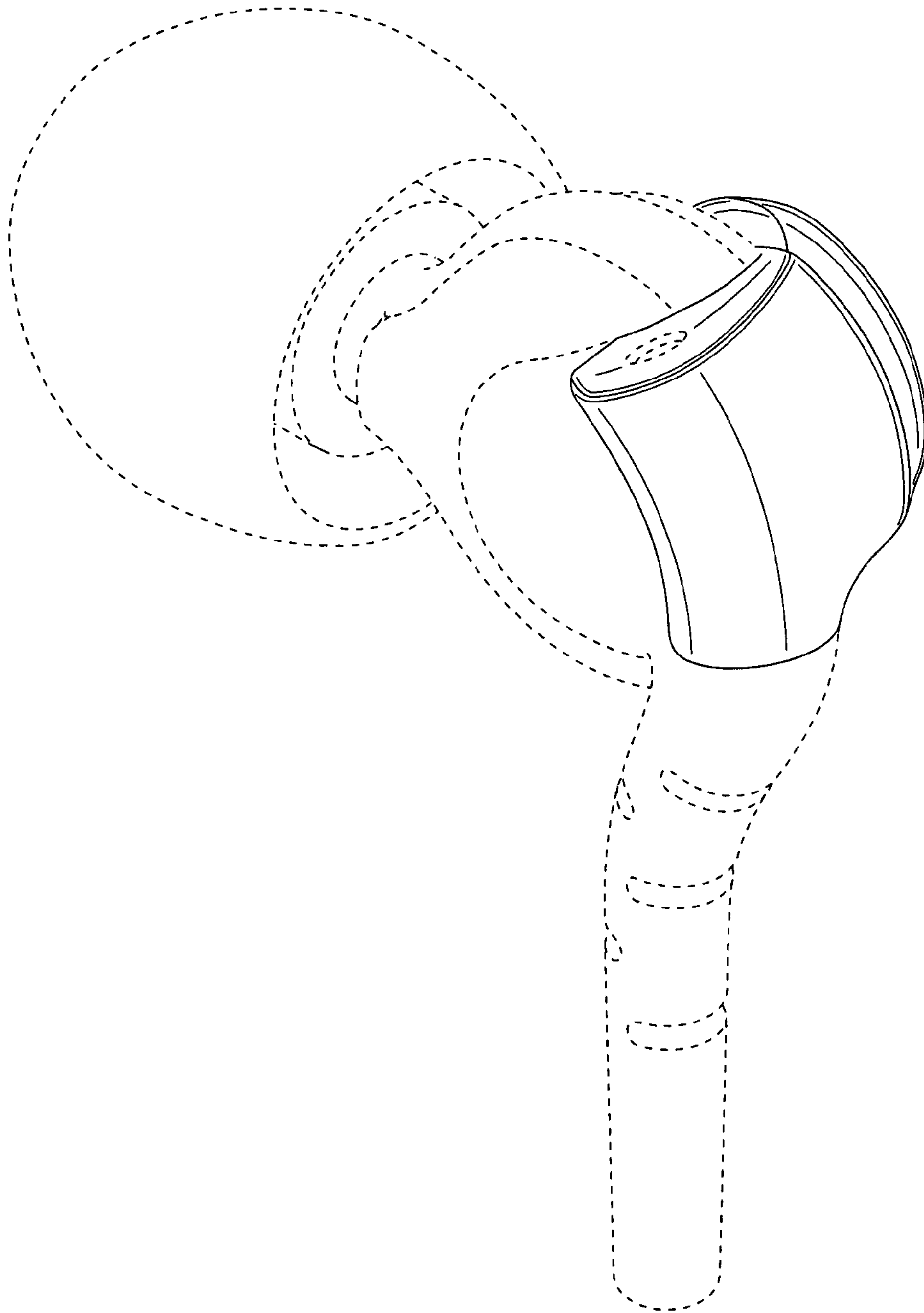


FIG.11

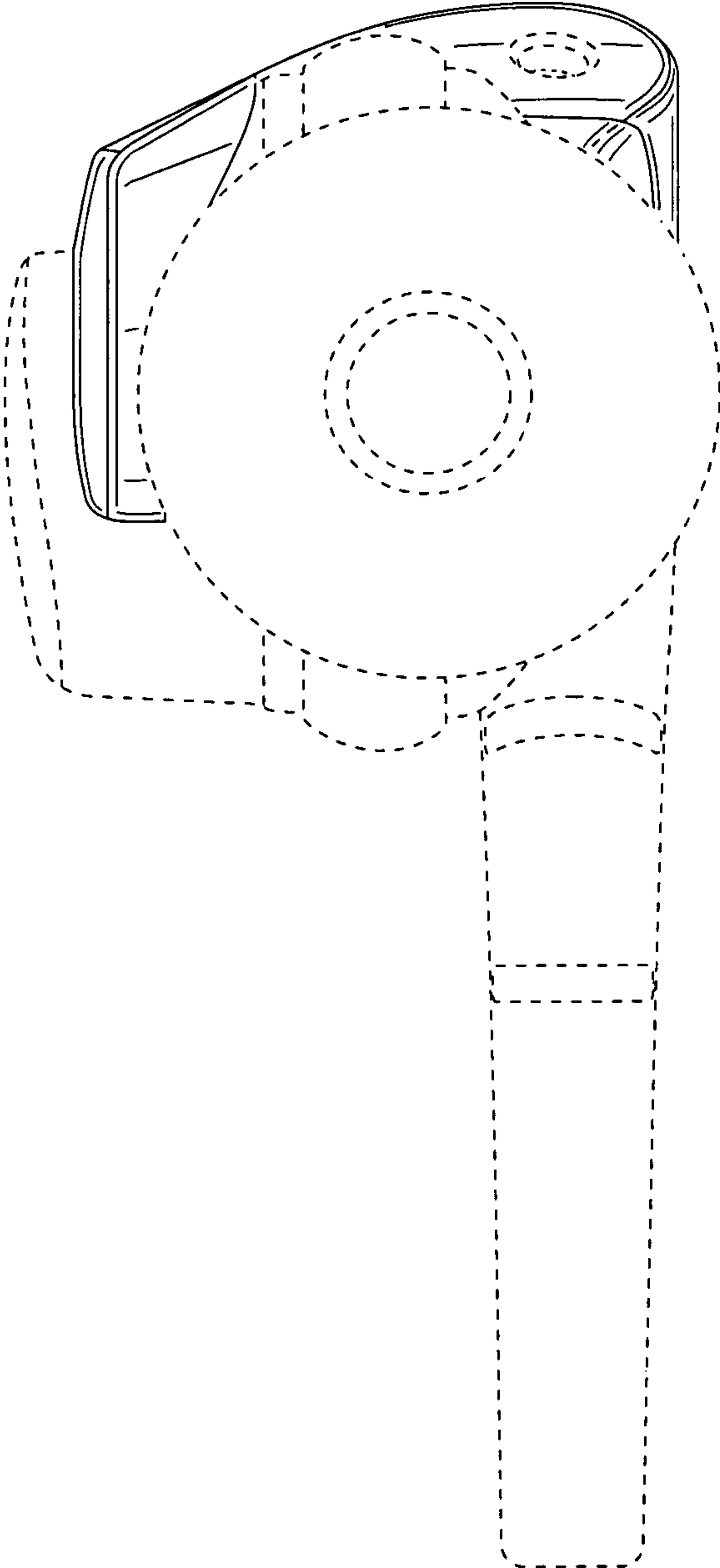


FIG.12

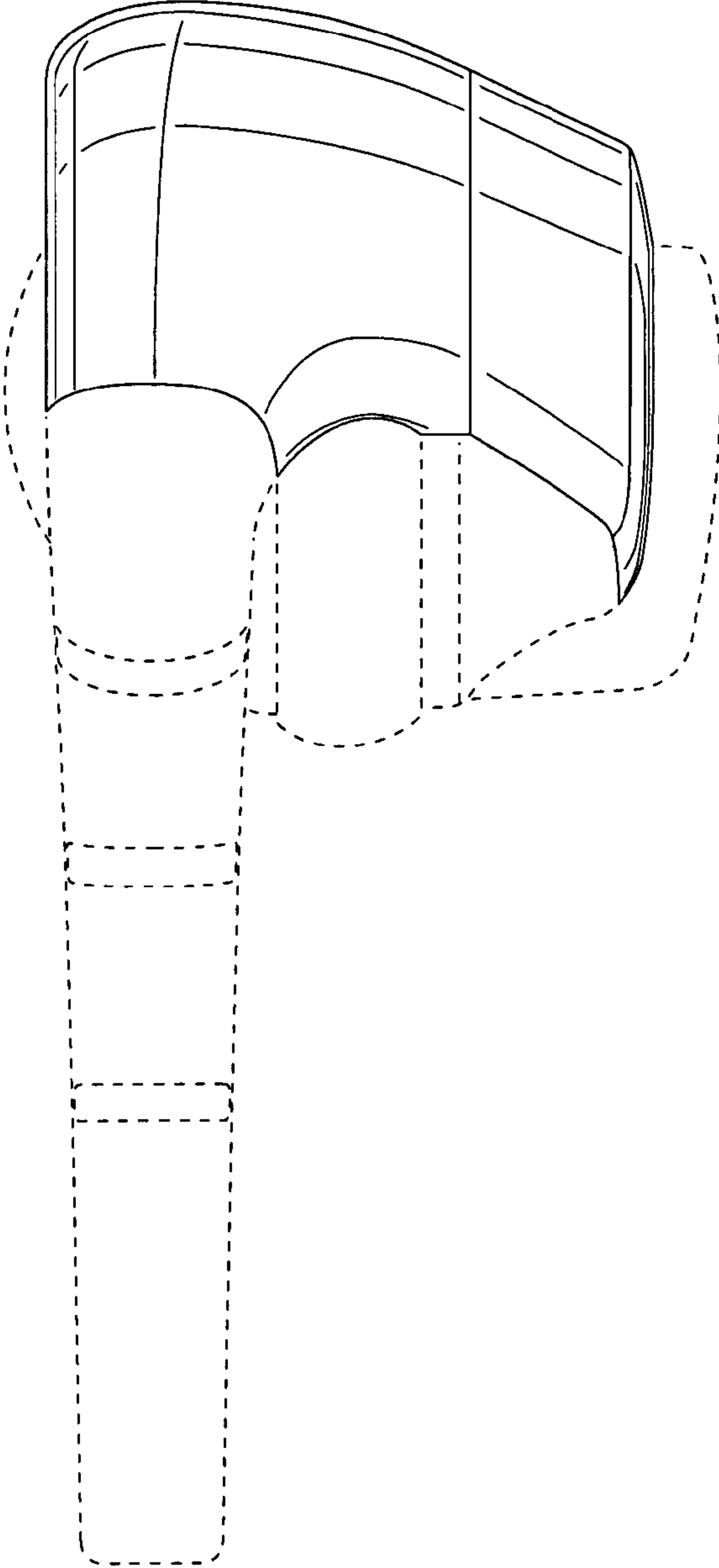


FIG.13

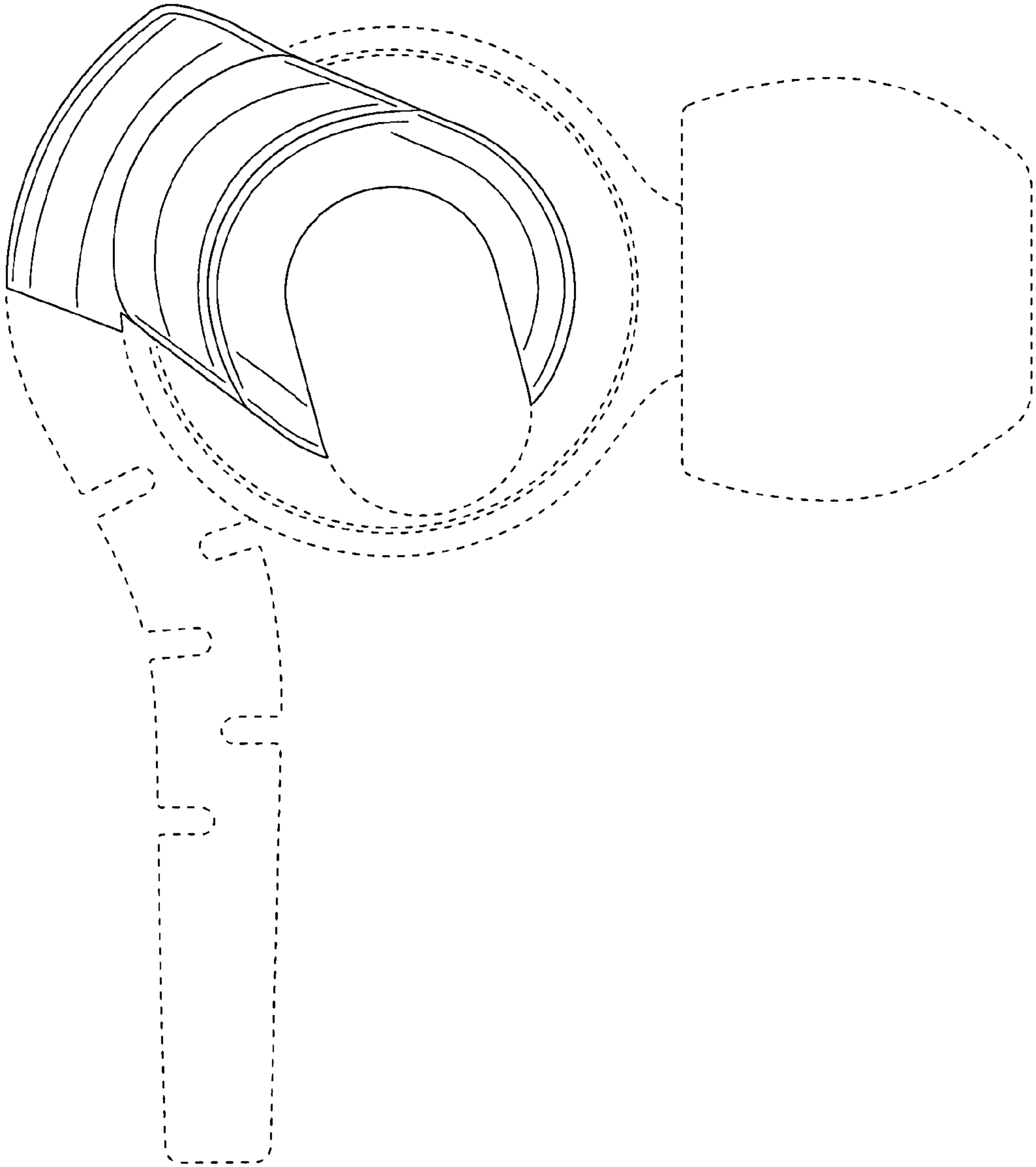


FIG.14

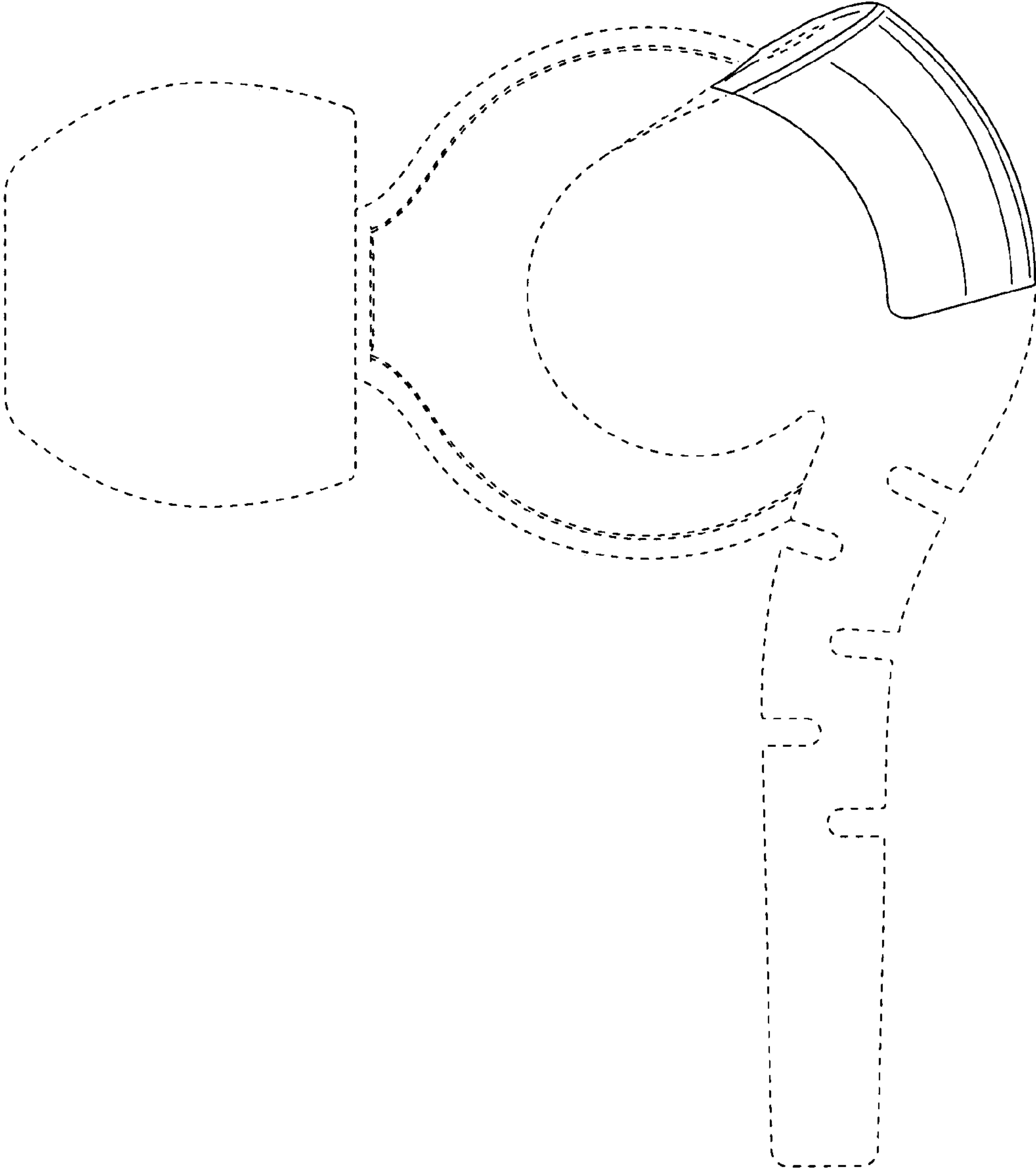


FIG.15

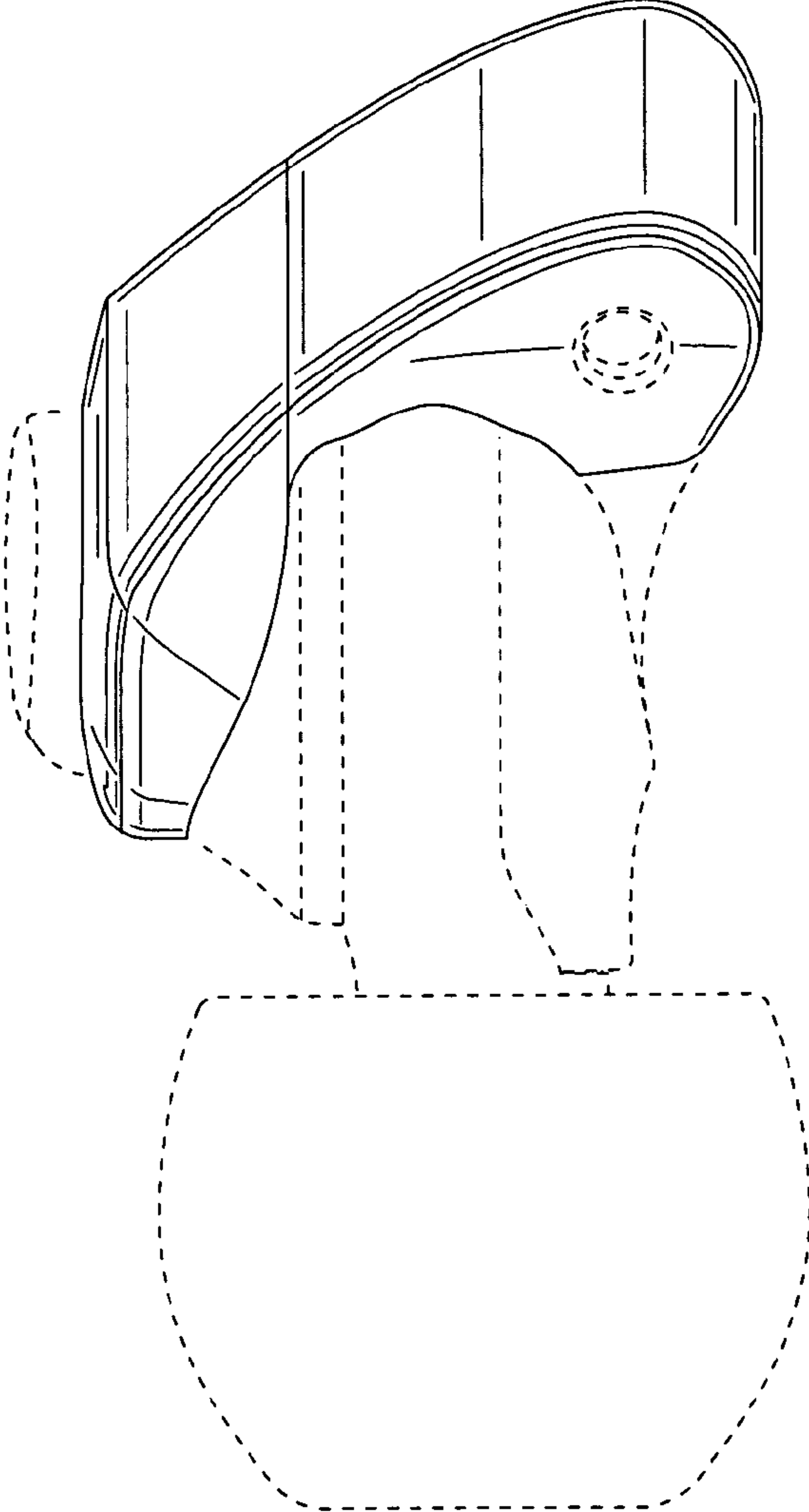


FIG.16

