



US00D648325S

(12) **United States Design Patent**  
**Akana et al.**

(10) **Patent No.:** **US D648,325 S**

(45) **Date of Patent:** **\*\* Nov. 8, 2011**

(54) **DOCKING STATION**

(56) **References Cited**

(75) Inventors: **Jody Akana**, San Francisco, CA (US);  
**Bartley K. Andre**, Menlo Park, CA  
(US); **Jeremy Bataillou**, San Francisco,  
CA (US); **Daniel J. Coster**, San  
Francisco, CA (US); **Daniele De Iuliis**,  
San Francisco, CA (US); **Evans**  
**Hankey**, San Francisco, CA (US);  
**Julian Hoenig**, San Francisco, CA (US);  
**Richard P. Howarth**, San Francisco, CA  
(US); **Jonathan P. Ive**, San Francisco,  
CA (US); **Duncan Robert Kerr**, San  
Francisco, CA (US); **Shin Nishibori**,  
Portola Valley, CA (US); **Matthew Dean**  
**Rohrbach**, San Francisco, CA (US);  
**Peter Russell-Clarke**, San Francisco,  
CA (US); **Christopher J. Stringer**,  
Woodside, CA (US); **Eugene Antony**  
**Whang**, San Francisco, CA (US); **Rico**  
**Zorkendorfer**, San Francisco, CA (US)

U.S. PATENT DOCUMENTS

D335,861 S 5/1993 Tattari  
D408,026 S 4/1999 Hung et al.  
6,031,924 A 2/2000 Etzel  
D429,242 S 8/2000 Sun  
D454,353 S 3/2002 Hicks et al.

(Continued)

FOREIGN PATENT DOCUMENTS

KR 3003928710000 9/2005

OTHER PUBLICATIONS

Search Report for New Design Patent Application No. 099302711,  
completed Jan. 20, 2011, 1 page.

(Continued)

*Primary Examiner* — Prabhakar Deshmukh

*Assistant Examiner* — Keli L Hill

(74) *Attorney, Agent, or Firm* — Sterne, Kessler, Goldstein  
& Fox, PLLC

(73) Assignee: **Apple Inc.**, Cupertino, CA (US)

(\*\*) Term: **14 Years**

(21) Appl. No.: **29/385,788**

(22) Filed: **Feb. 18, 2011**

(51) **LOC (9) Cl.** ..... **14-03**

(52) **U.S. Cl.** ..... **D14/217; D14/434**

(58) **Field of Classification Search** ..... D14/140,  
D14/142, 149, 155, 157, 188, 191–193, 203.1–203.8,  
D14/217, 240, 243, 251, 253, 432–435.1,  
D14/447, 451, 496, 474, 480.1–480.7; D13/107,  
D13/108, 118; 248/221.11, 309.1; 320/107,  
320/110, 113–115; 361/600; 439/529, 534;  
455/556.1–556.2, 557

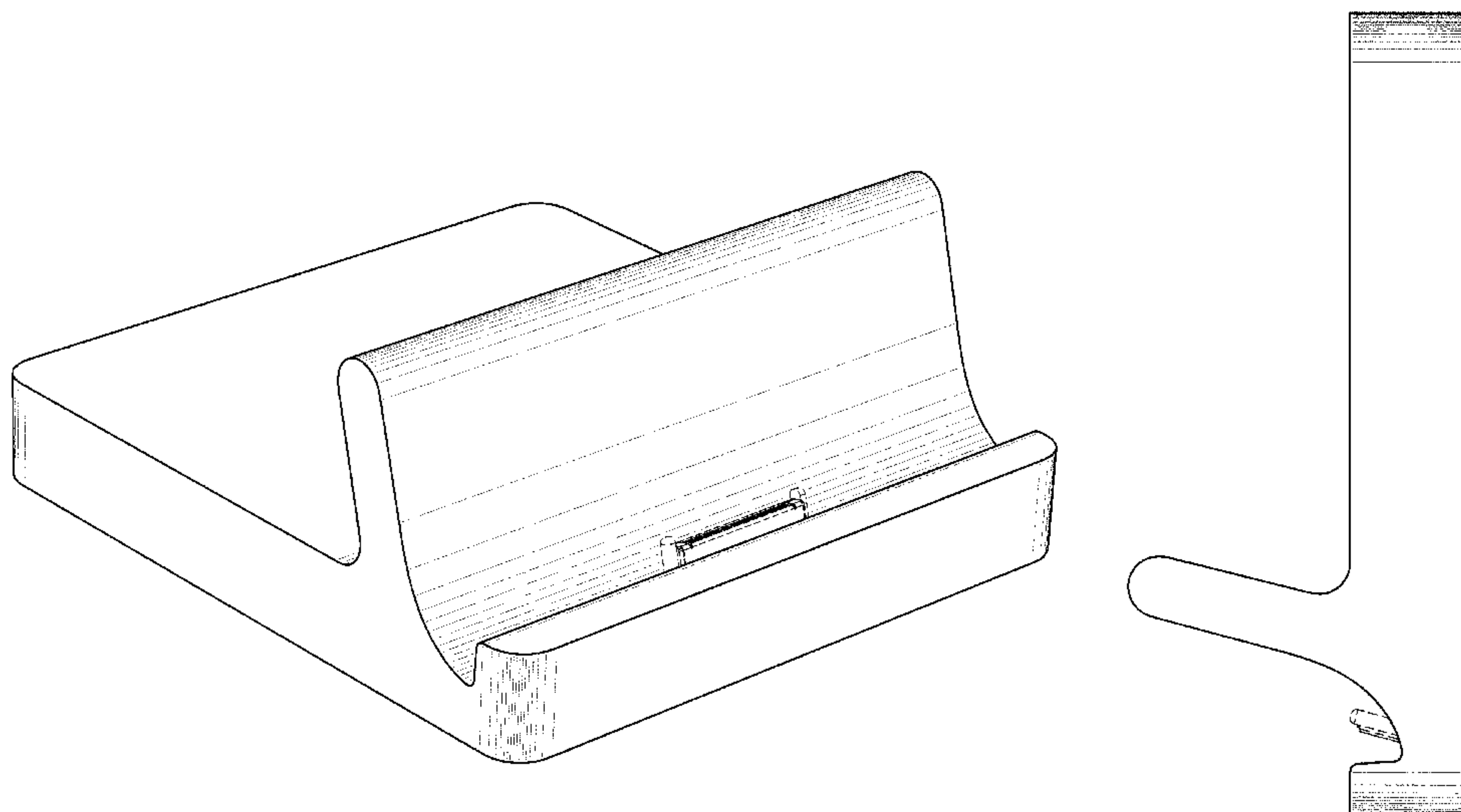
See application file for complete search history.

(57) **CLAIM**  
The ornamental design for a docking station, as shown and  
described.

**DESCRIPTION**

FIG. 1 is a top front perspective view of a docking station  
showing our new design;  
FIG. 2 is a bottom front perspective view thereof;  
FIG. 3 is a top plan view thereof;  
FIG. 4 is a bottom plan view thereof;  
FIG. 5 is a left side view thereof;  
FIG. 6 is a right side view thereof;  
FIG. 7 is a front view thereof; and,  
FIG. 8 is a rear view thereof.  
The shade lines in the Figures show contour and not surface  
ornamentation.  
The dashed lines in the Figures show portions of the docking  
station which form no part of the claimed design.

**1 Claim, 8 Drawing Sheets**



# US D648,325 S

Page 2

## U.S. PATENT DOCUMENTS

D465,532 S \* 11/2002 Hussaini et al. .... D21/333  
D472,900 S 4/2003 Matsumoto  
D483,771 S 12/2003 Esswein  
D494,182 S 8/2004 Singer et al.  
D507,526 S 7/2005 Ohta  
D507,794 S \* 7/2005 Wang et al. .... D14/434  
D515,062 S 2/2006 Winebrenner et al.  
D540,802 S \* 4/2007 Hussaini et al. .... D14/434  
D552,611 S \* 10/2007 Hagiwara et al. .... D14/434  
D579,917 S 11/2008 Marchand et al.  
D584,731 S 1/2009 Montgomery et al.  
D593,988 S 6/2009 Liu et al.  
D599,801 S 9/2009 Skaf et al.  
D606,545 S 12/2009 Salmon  
D607,879 S 1/2010 Ferber et al.  
D608,351 S \* 1/2010 Song ..... D14/217  
D609,697 S 2/2010 Legrand et al.  
D619,996 S \* 7/2010 Demskie et al. .... D14/218

D624,919 S \* 10/2010 Bull ..... D14/434  
D628,203 S \* 11/2010 Noble ..... D14/447  
D628,562 S 12/2010 Akana et al.  
D631,009 S 1/2011 Son et al.  
D631,468 S 1/2011 Akana et al.  
D635,918 S \* 4/2011 Le et al. .... D13/108  
D642,121 S \* 7/2011 Lee et al. .... D13/108  
D642,519 S \* 8/2011 Woo et al. .... D13/108  
D642,520 S \* 8/2011 Chun et al. .... D13/108  
2010/0118485 A1 5/2010 Crooijmans et al.

## OTHER PUBLICATIONS

Garrett, Chad. "Quick Review: Apple iPad Dock", TiPd.com. <<http://www.tipb.com/2010/04/09/quick-review-ipad-dock/>> Apr. 9, 2010. accessed Aug. 29, 2010. 3 pages.

Co-pending U.S. Appl. No. 29/383,469, Inventors Akana et al., "Docking Station", filed Jan. 18, 2011 (Not Published).

\* cited by examiner

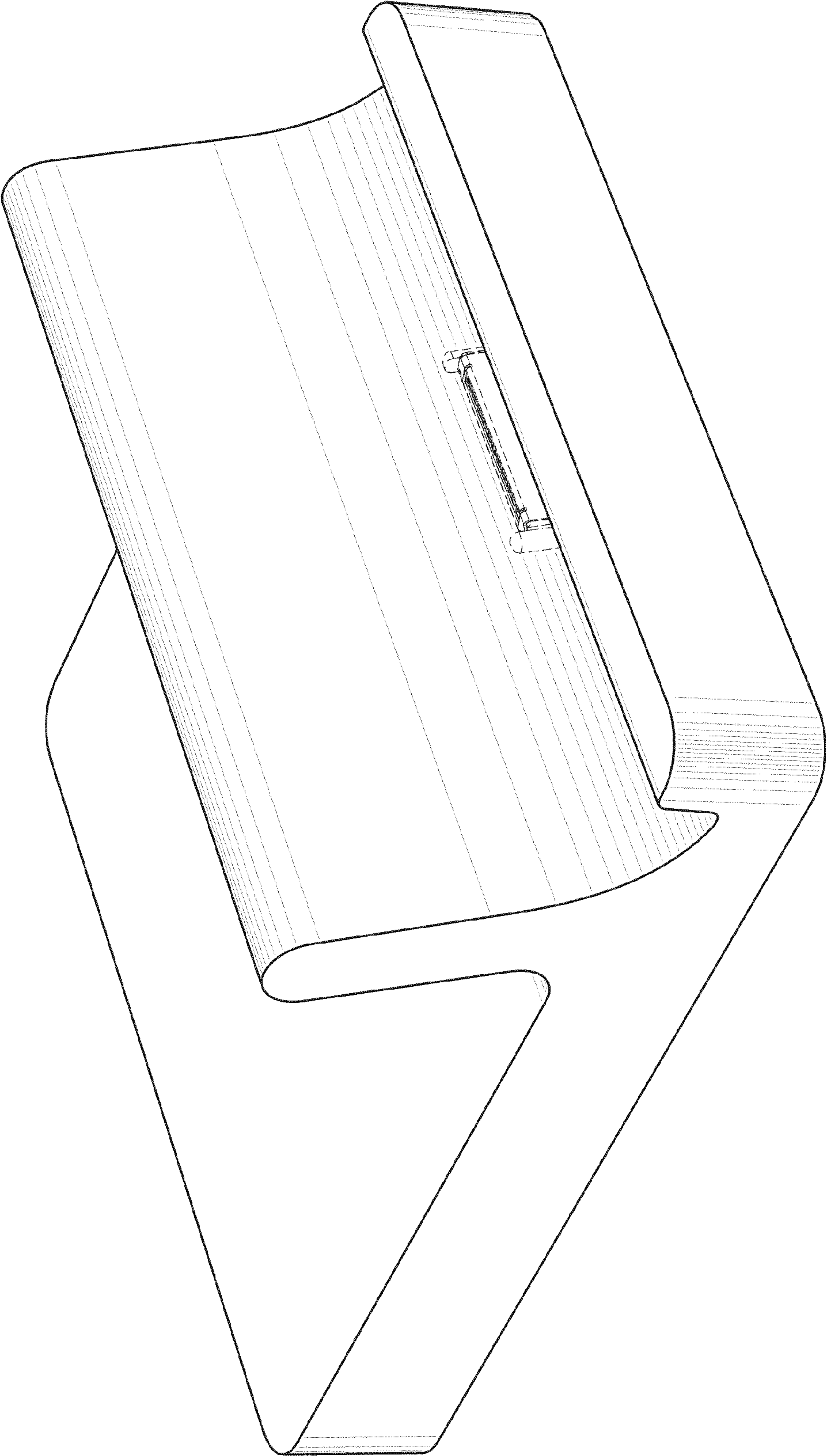


FIG. 1

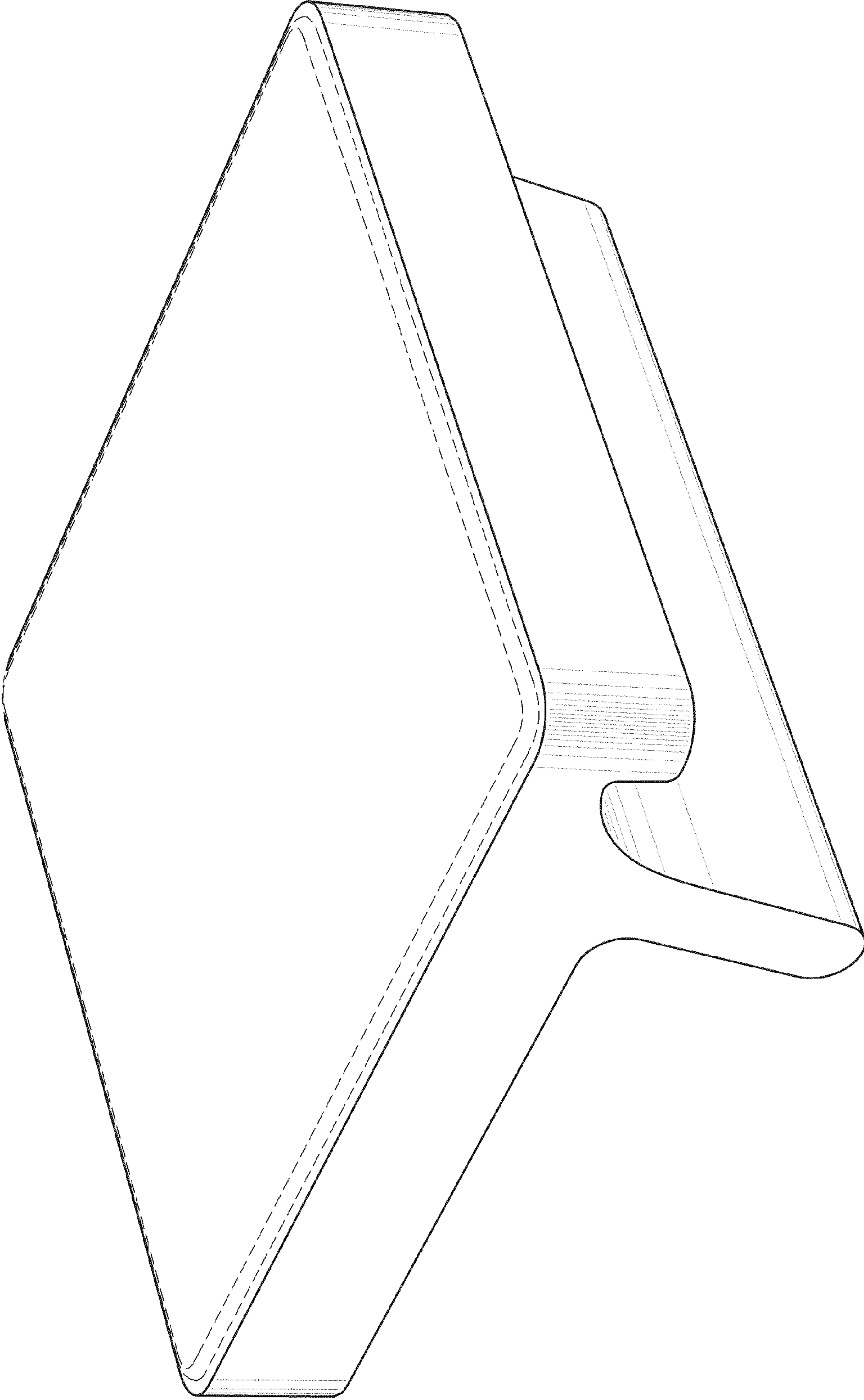


FIG. 2



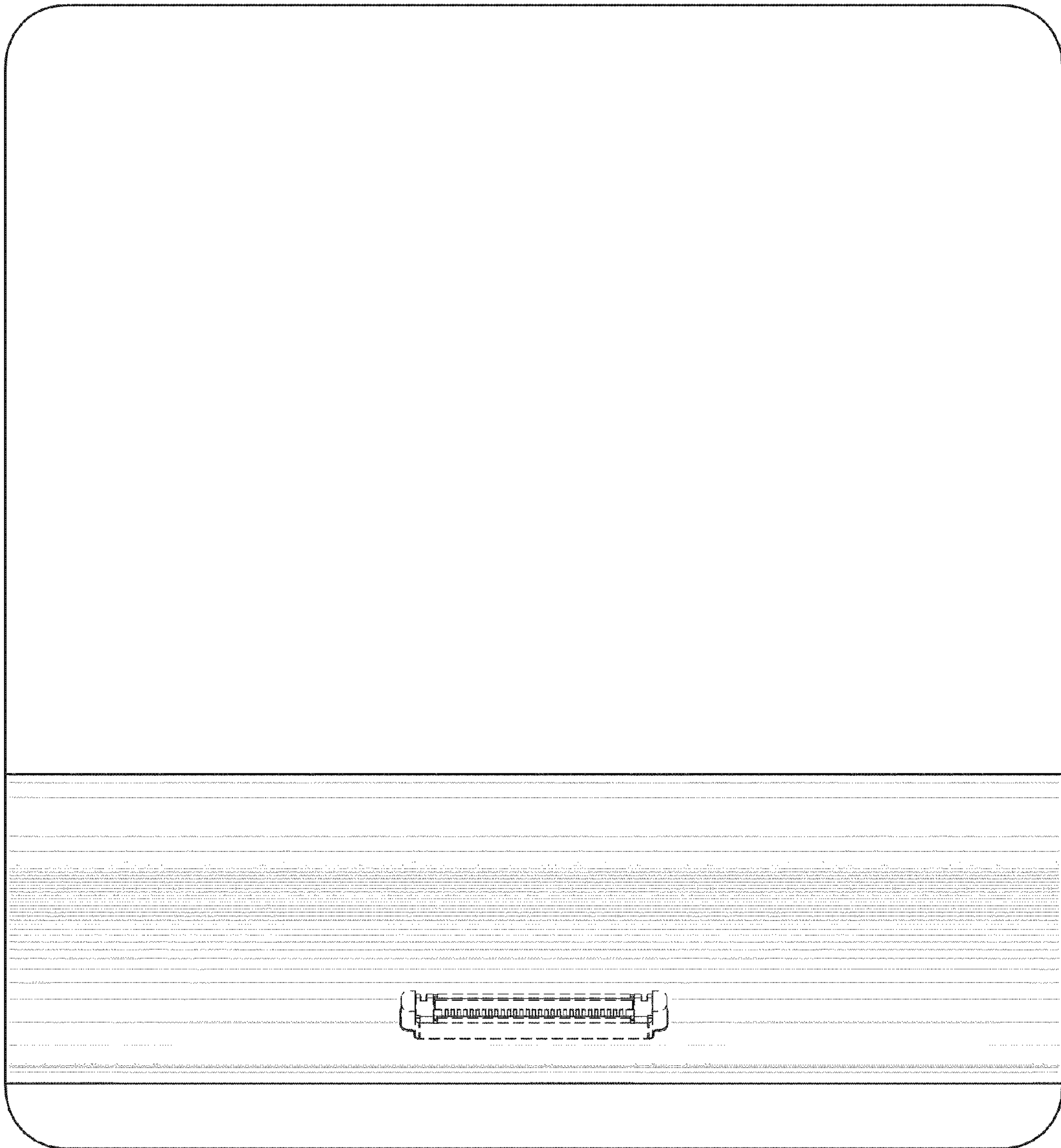
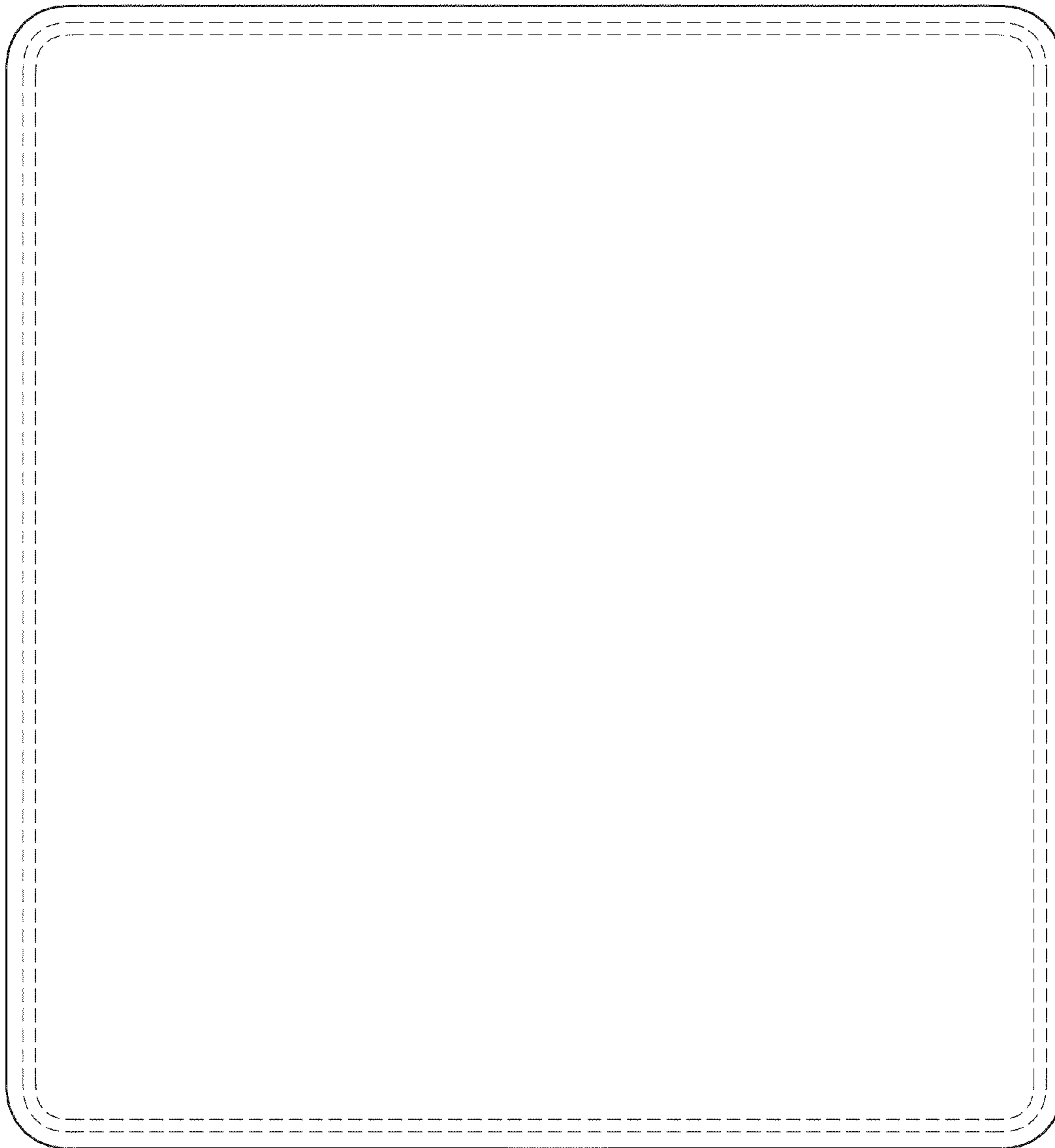
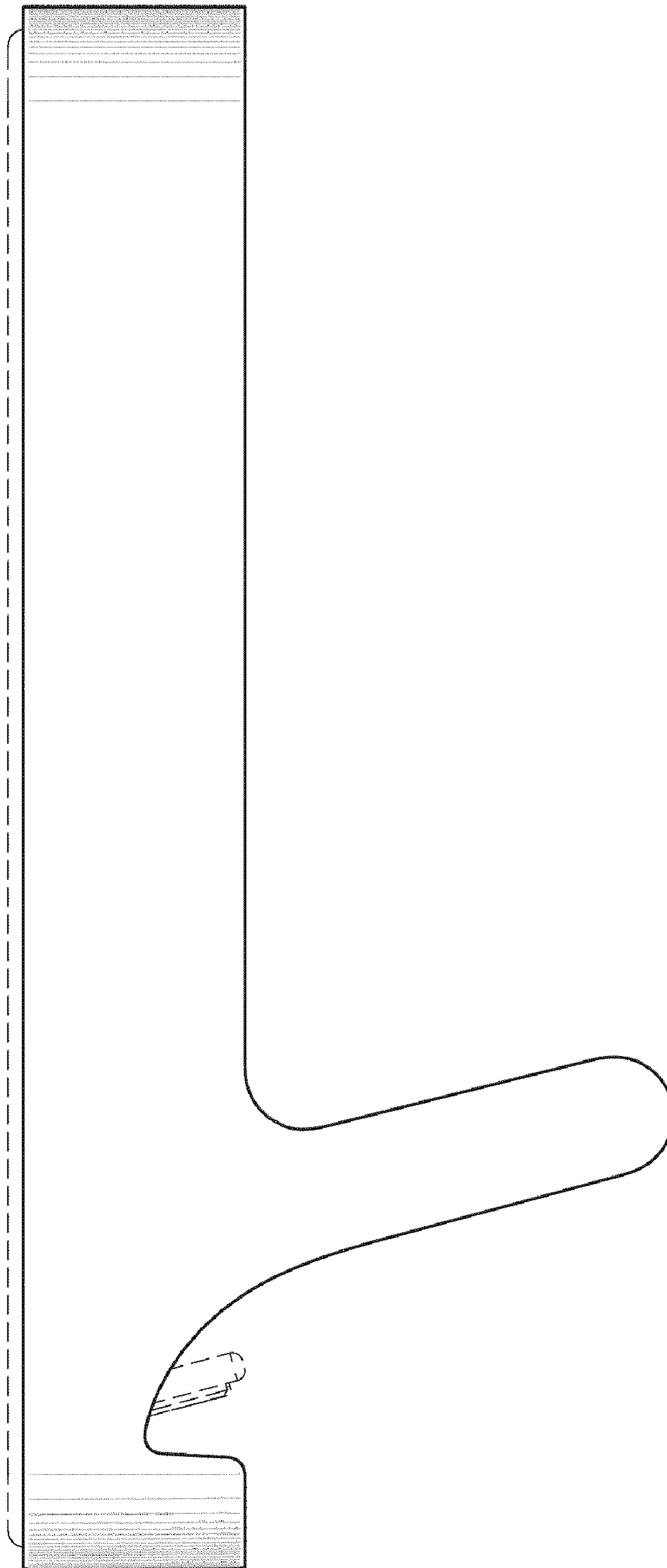


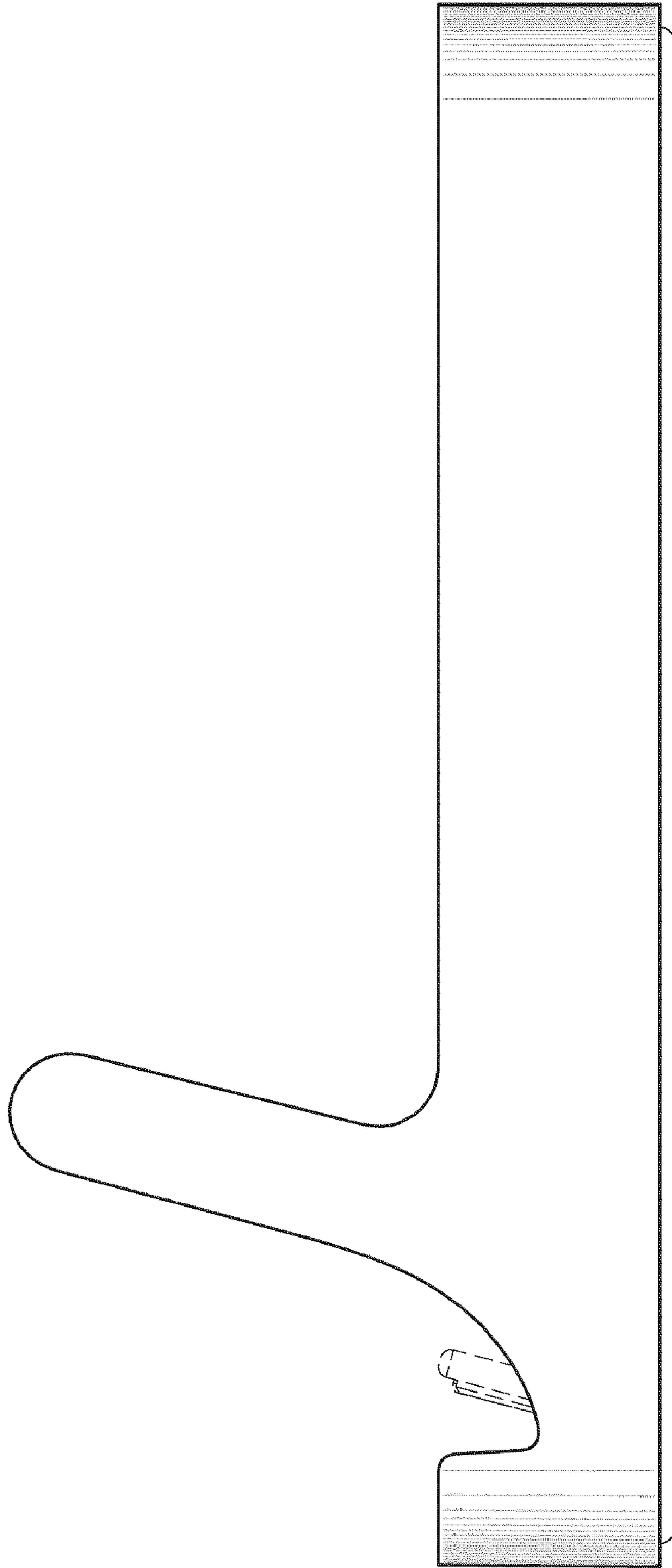
FIG. 3



**FIG. 4**



**FIG. 5**



**FIG. 6**



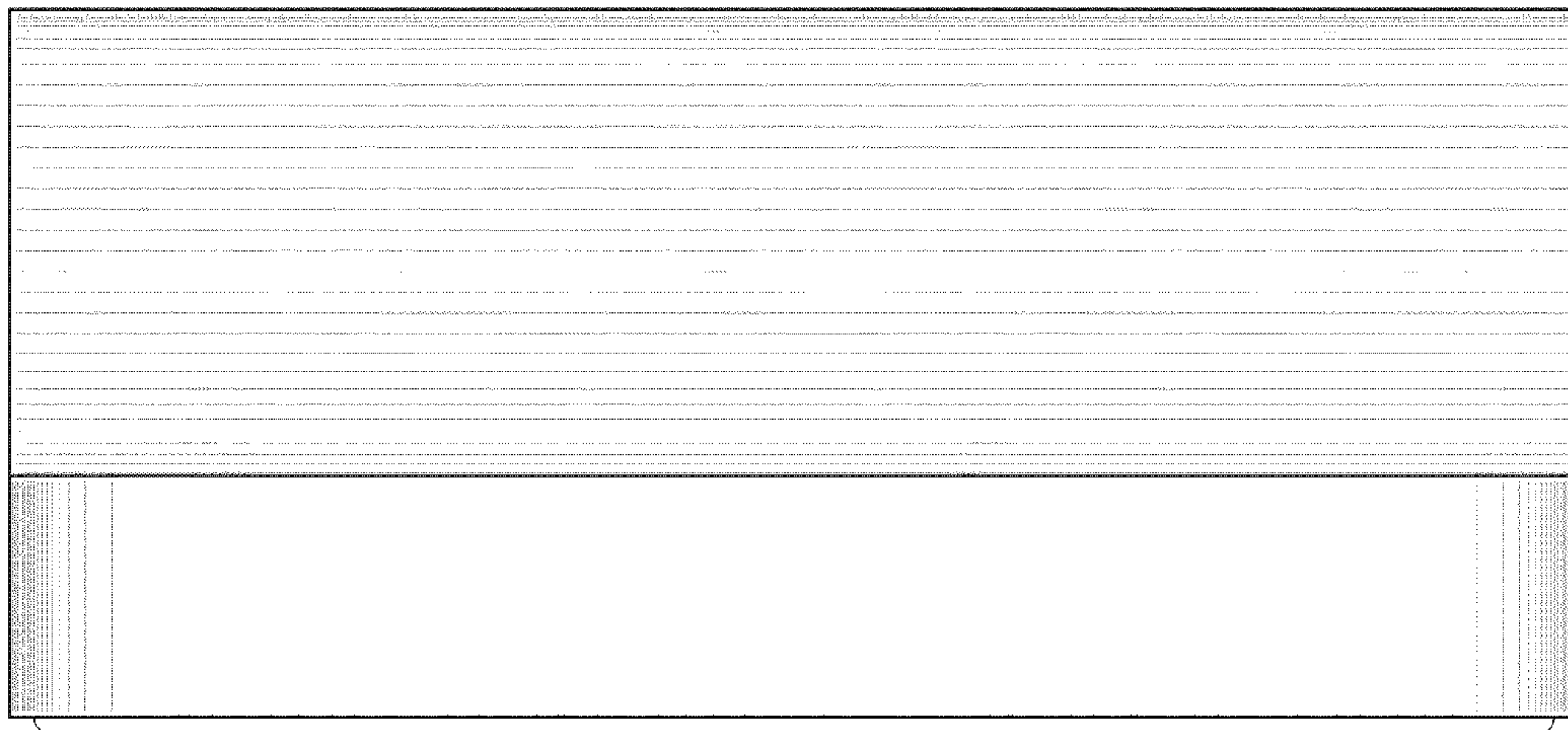
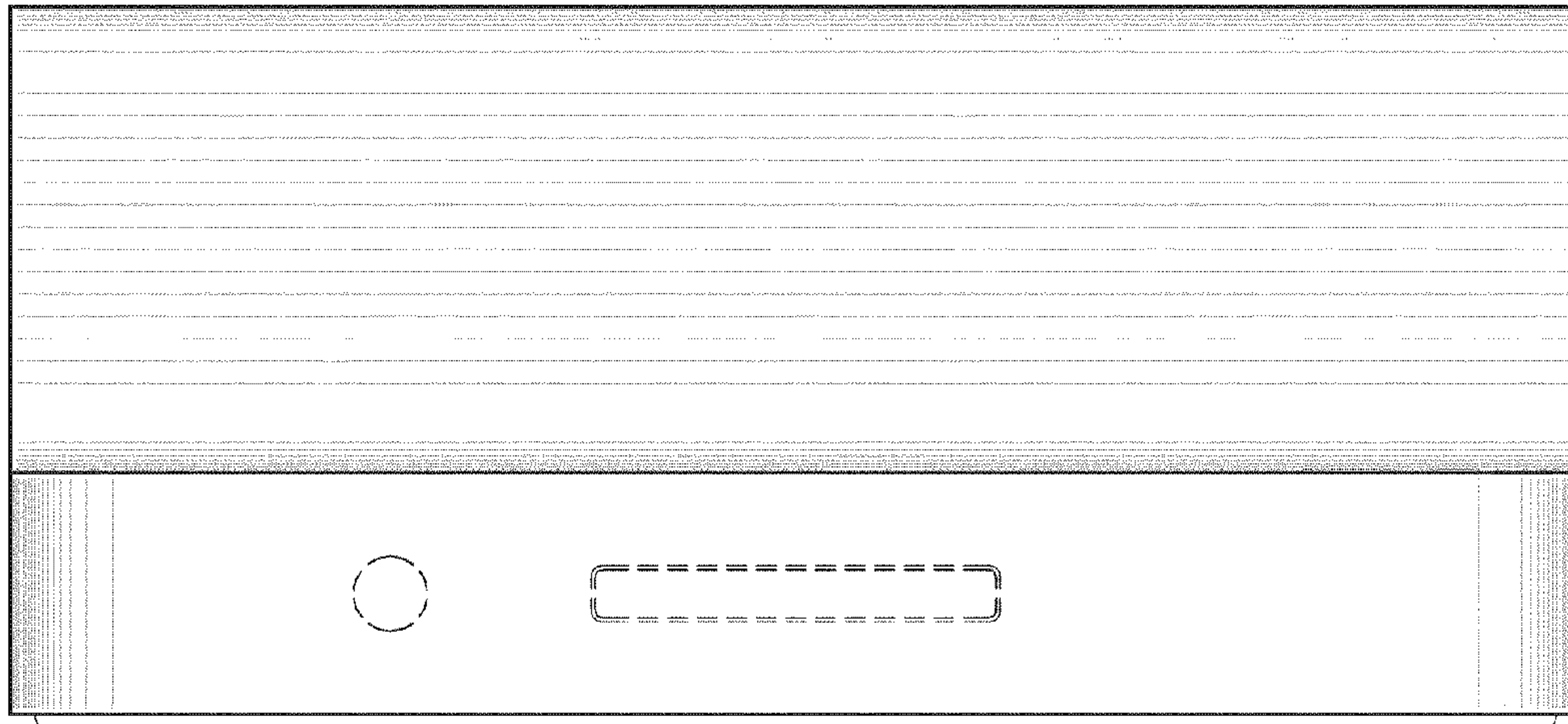


FIG. 7



**FIG. 8**