



US00D648322S

(12) **United States Design Patent**
Peng

(10) **Patent No.:** **US D648,322 S**
(45) **Date of Patent:** **** Nov. 8, 2011**

- (54) **SPEAKER FOR CITIZEN BAND TRANSCEIVER**
- (76) Inventor: **Tseng Jyi Peng**, Taipei (TW)
- (**) Term: **14 Years**
- (21) Appl. No.: **29/332,325**
- (22) Filed: **Feb. 12, 2009**
- (51) **LOC (9) Cl.** **14-01**
- (52) **U.S. Cl.** **D14/216**
- (58) **Field of Classification Search** D14/204,
D14/207, 209, 209.1, 210–216, 222, 168,
D14/172, 137, 496, 500; 181/143–144, 147–148,
181/150–153, 157, 198–199; 381/300–303,
381/306, 332–333, 336, 345, 361–364, 386–388
See application file for complete search history.

Primary Examiner — Nanda Bondade
(74) *Attorney, Agent, or Firm* — Michael C. Olson, Esq.

(57) **CLAIM**
I claim the ornamental design for a speaker for citizen band transceiver, as shown and described.

DESCRIPTION

FIG. 1 depicts a perspective view of a speaker for citizen band transceiver depicting my new design.
 FIG. 2 depicts a front view of a speaker for citizen band transceiver depicting my new design.
 FIG. 3 depicts a rear view of a speaker for citizen band transceiver depicting my new design.
 FIG. 4 depicts a right side view of a speaker for citizen band transceiver depicting my new design.
 FIG. 5 depicts a left side view of a speaker for citizen band transceiver depicting my new design.
 FIG. 6 depicts a top view of a speaker for citizen band transceiver depicting my new design; and,
 FIG. 7 depicts a bottom view of a speaker for citizen band transceiver depicting my new design.
 The broken line showing on the drawing disclosure is for illustrative purposes only and forms no part of the claimed design.

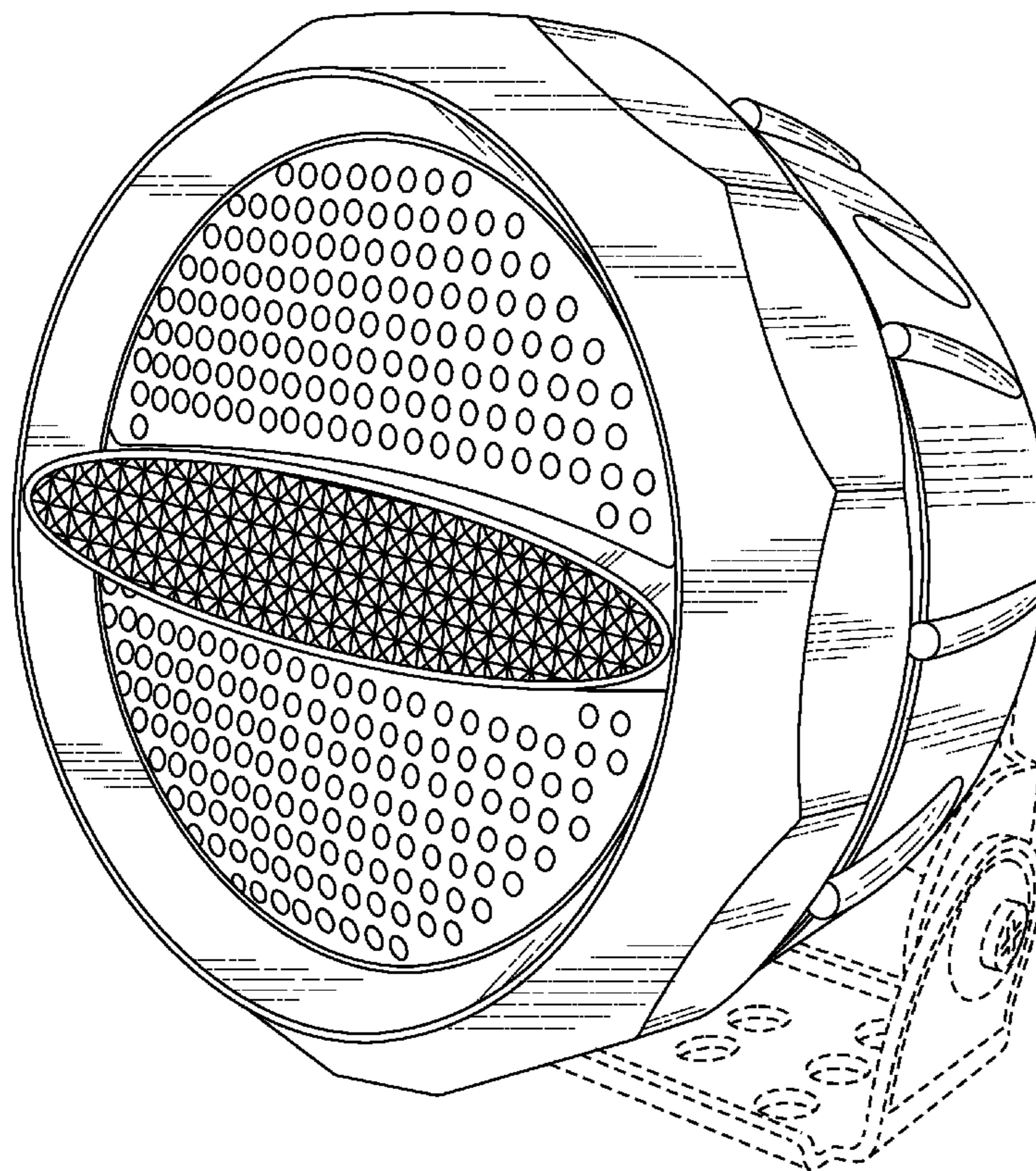
- (56) **References Cited**
- U.S. PATENT DOCUMENTS
- D430,546 S * 9/2000 Gibson D14/137
- D450,049 S * 11/2001 Lacotta et al. D14/171
- D491,913 S * 6/2004 Chan D14/171
- D510,926 S * 10/2005 Jerome D14/500
- D533,537 S * 12/2006 Reardon et al. D14/172

OTHER PUBLICATIONS

PDF of 6 pictures of a Vertex motorcycle speaker, model No. MLS-200, on sale since at least Apr. 2008 and featured at <http://www.rfwiz.com/VertexStandard/MLS-200.htm>.

* cited by examiner

1 Claim, 7 Drawing Sheets



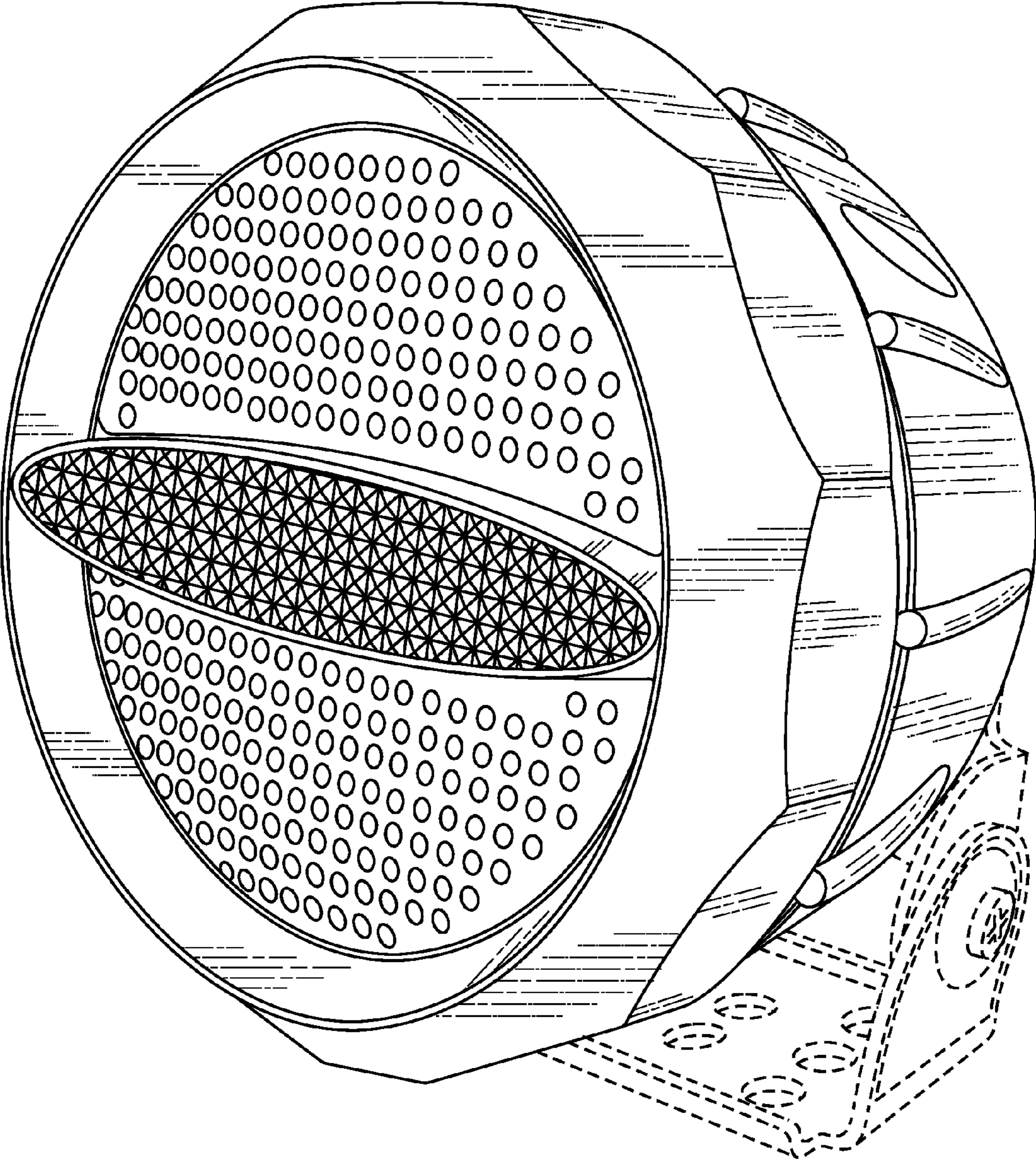


FIG. 1

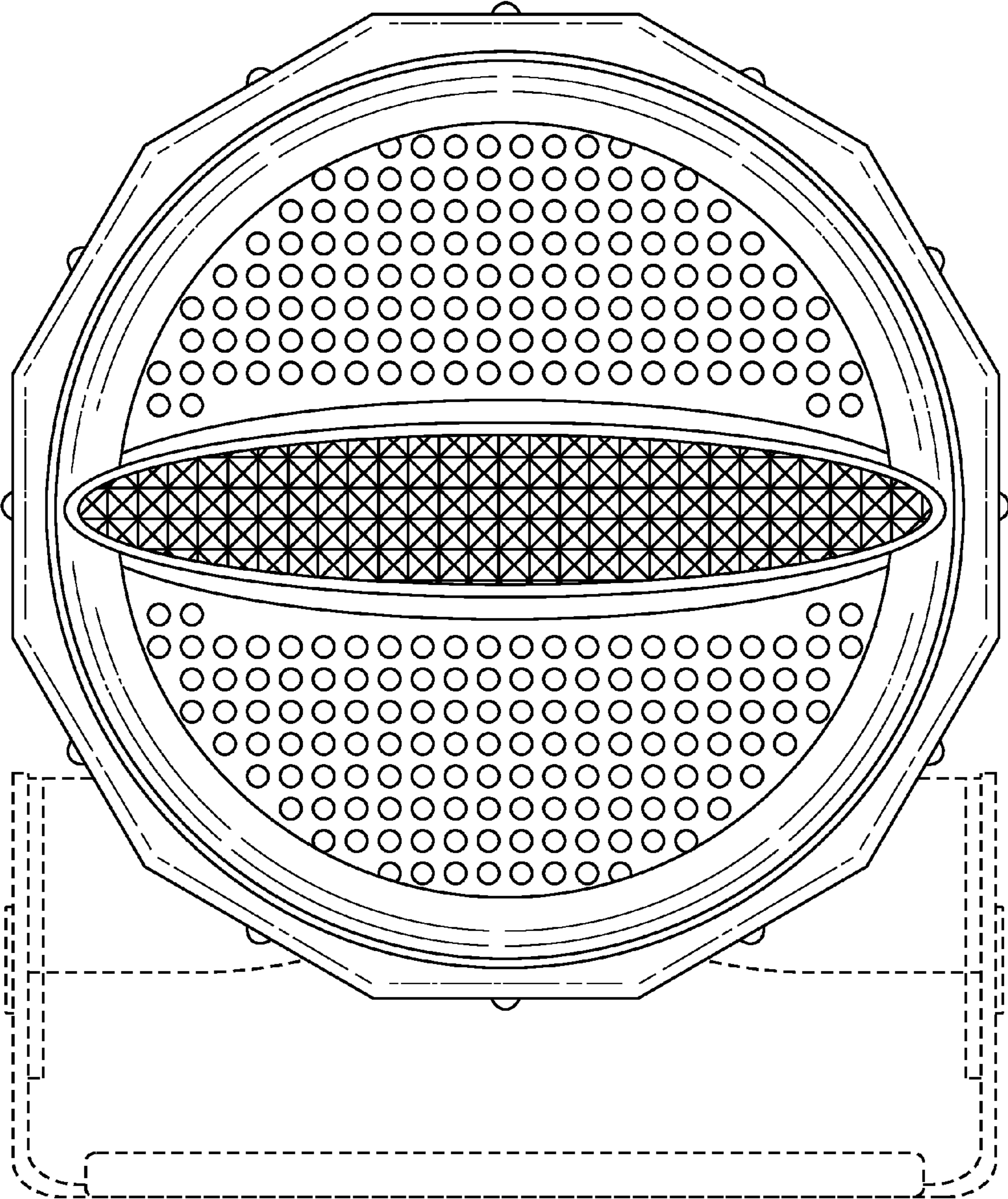


FIG. 2

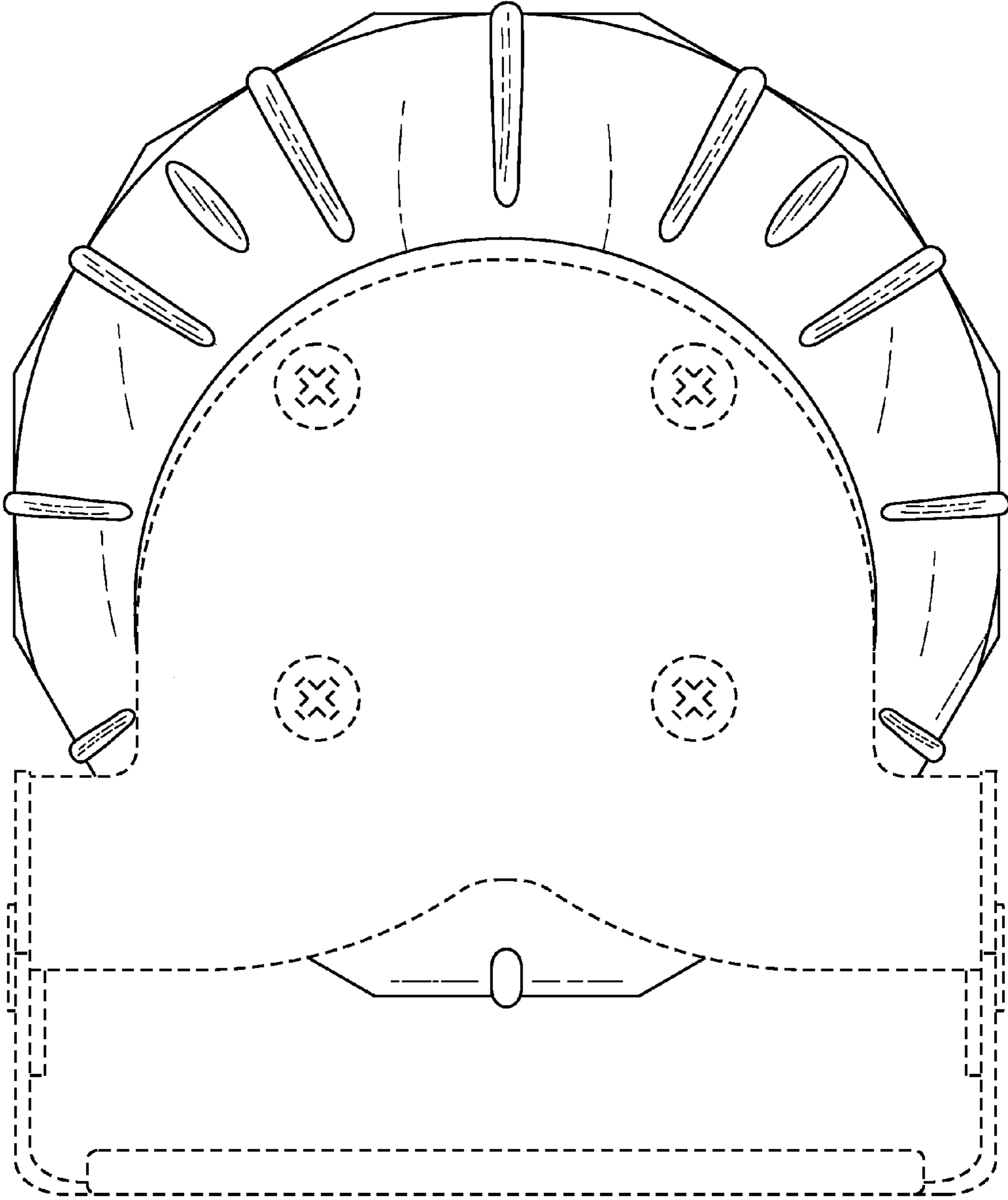


FIG. 3

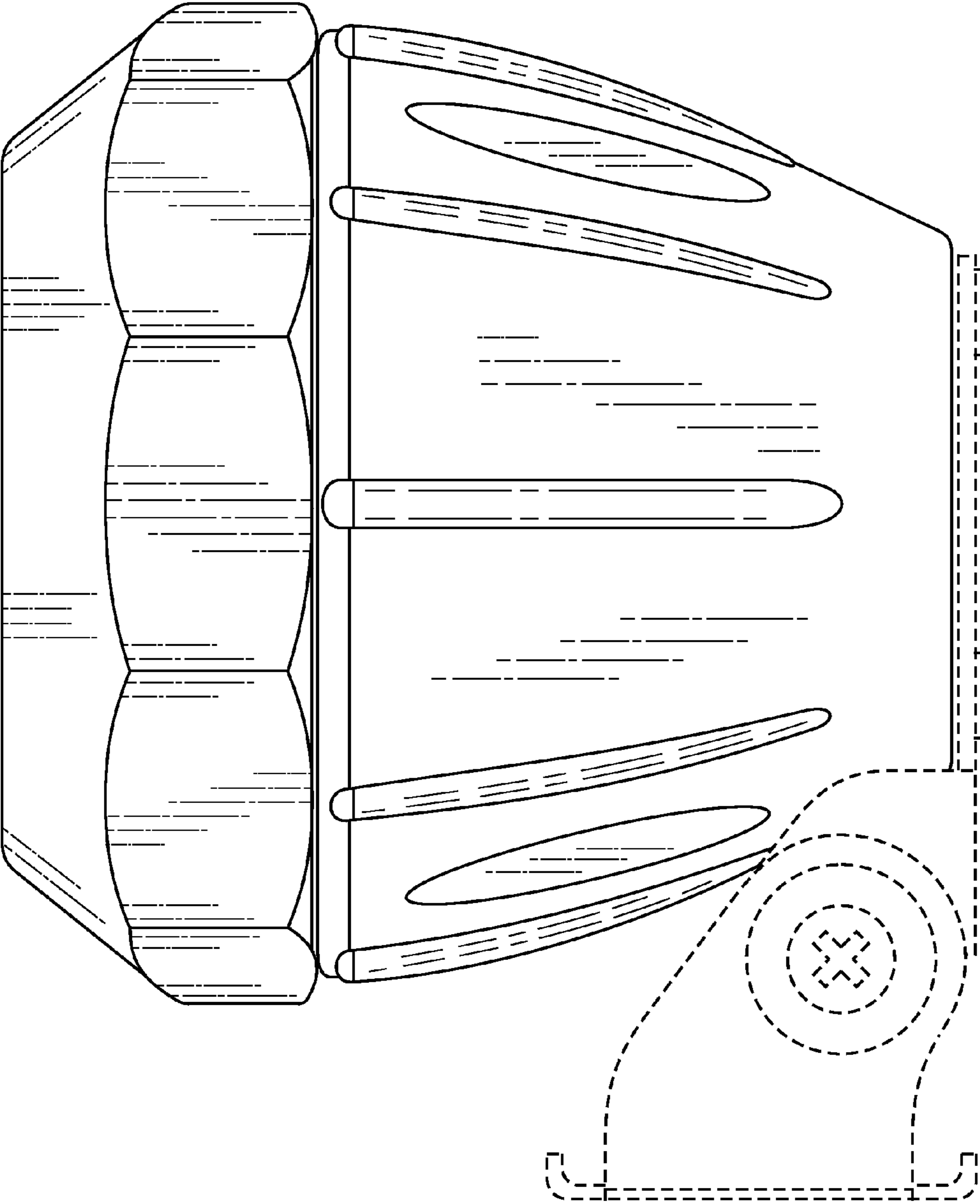


FIG. 4

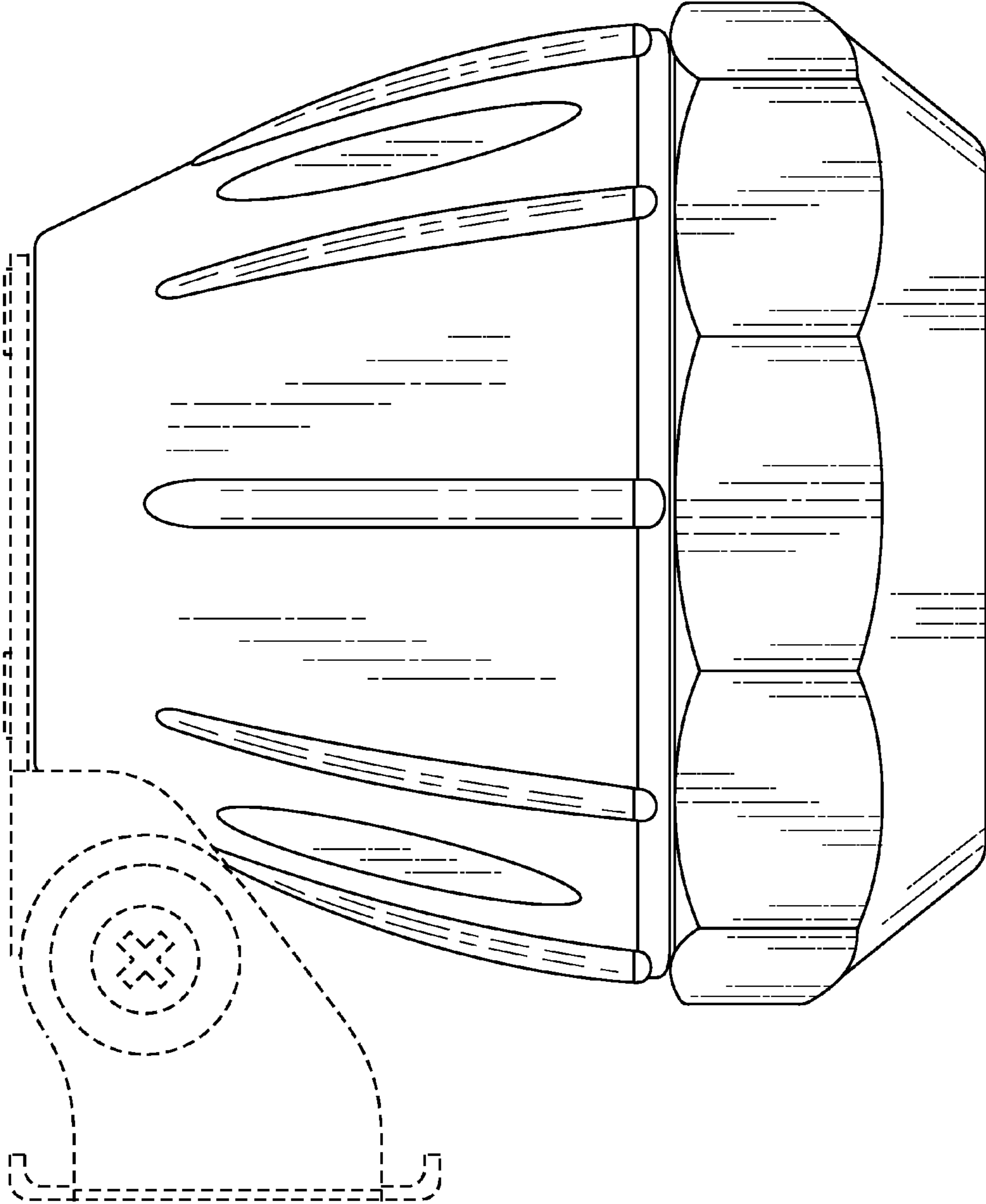


FIG. 5

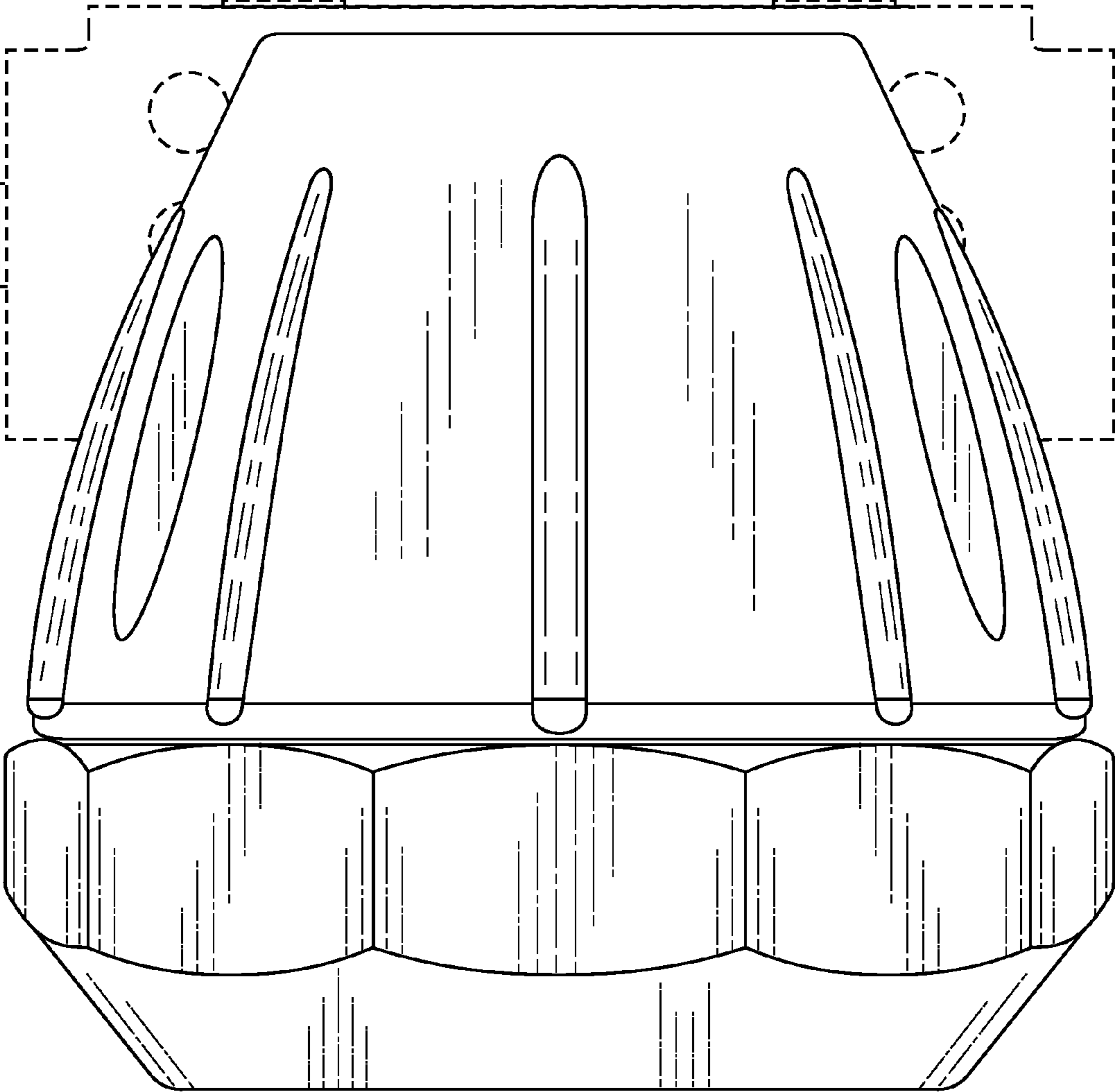


FIG. 6

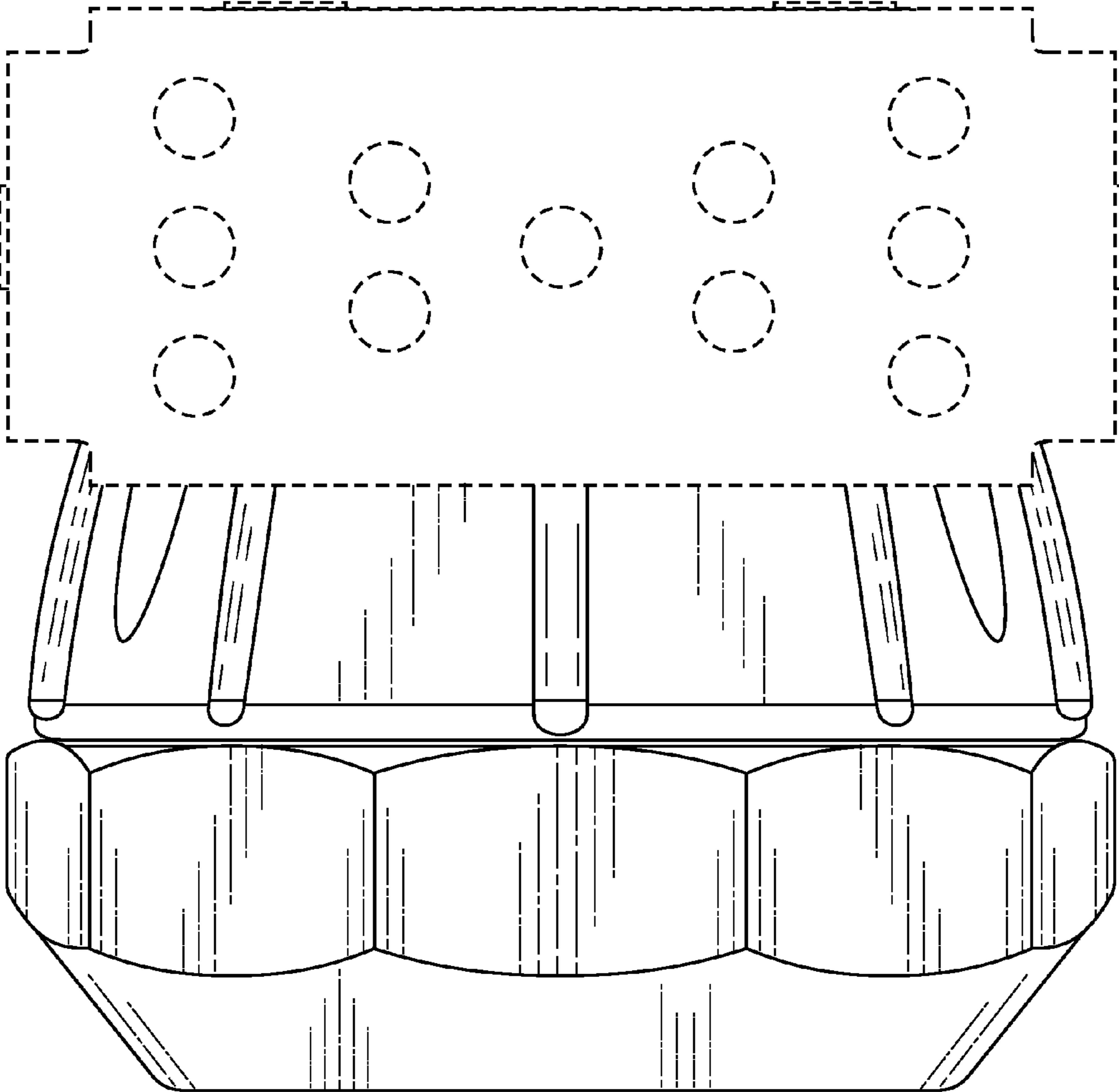


FIG. 7