



US00D648320S

(12) **United States Design Patent**
Kusuki

(10) **Patent No.:** **US D648,320 S**

(45) **Date of Patent:** **** Nov. 8, 2011**

(54) **SPEAKER**

(75) Inventor: **Kazunori Kusuki**, Tokyo (JP)

(73) Assignee: **Sony Computer Entertainment Inc.**,
Toyko (JP)

(**) Term: **14 Years**

(21) Appl. No.: **29/371,209**

(22) Filed: **Nov. 29, 2010**

(30) **Foreign Application Priority Data**

Jun. 14, 2010 (JP) D2010-014563

(51) **LOC (9) Cl.** **14-01**

(52) **U.S. Cl.** **D14/214**

(58) **Field of Classification Search** D14/204,
D14/207, 209, 209.1, 210-217, 221, 299,
D14/167, 168, 171, 172, 496, 498-511;
181/143-144, 147-148, 150-153, 157, 198-199;
381/300-303, 306, 332-333, 336, 345, 361-364,
381/386-388

See application file for complete search history.

(56) **References Cited**

U.S. PATENT DOCUMENTS

D405,086 S 2/1999 Goto
D467,898 S 12/2002 Matsuoka
D472,542 S 4/2003 Oikawa
D476,309 S 6/2003 Narita
D503,168 S 3/2005 Hisatsune

D503,396 S 3/2005 Hisatsune
D508,480 S 8/2005 Oikawa
D508,910 S 8/2005 Oikawa
D540,309 S 4/2007 Yuyama
D540,310 S 4/2007 Yuyama
D546,319 S 7/2007 Hakoda
D548,724 S 8/2007 Hakoda
D548,725 S 8/2007 Hakoda
D552,079 S 10/2007 Hakoda
D587,237 S * 2/2009 Son et al. D14/168
D587,282 S * 2/2009 Kim et al. D14/499
7,689,197 B2 * 3/2010 Laude et al. 181/198
D615,101 S * 5/2010 Nam et al. D14/499
D625,737 S * 10/2010 van Alphen et al. D14/496

* cited by examiner

Primary Examiner — Nanda Bondade

(57) **CLAIM**

The ornamental design for a speaker, as shown and described.

DESCRIPTION

FIG. 1 is a perspective view of a speaker showing my new design;
FIG. 2 is a front elevational view thereof;
FIG. 3 is a rear elevational view thereof;
FIG. 4 is a left side elevational view thereof;
FIG. 5 is a right side elevational view thereof; and,
FIG. 6 is an enlarged right side elevational view thereof.
The portions in broken lines are for illustrative purposes only and form no part of the claimed design. Dot-dash broken lines define the boundaries of, but not included in, the claimed design.

1 Claim, 4 Drawing Sheets

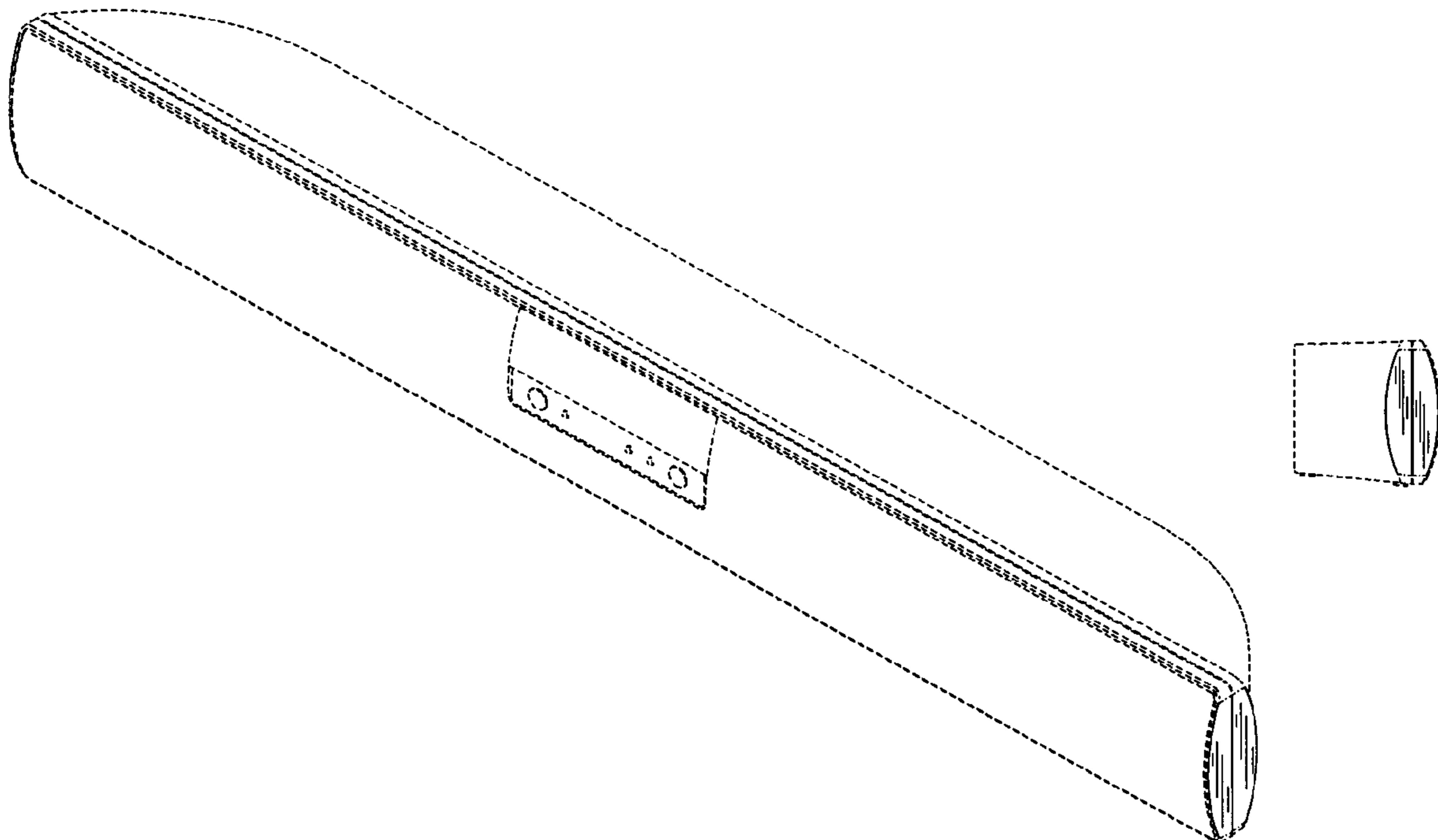


FIG. 1

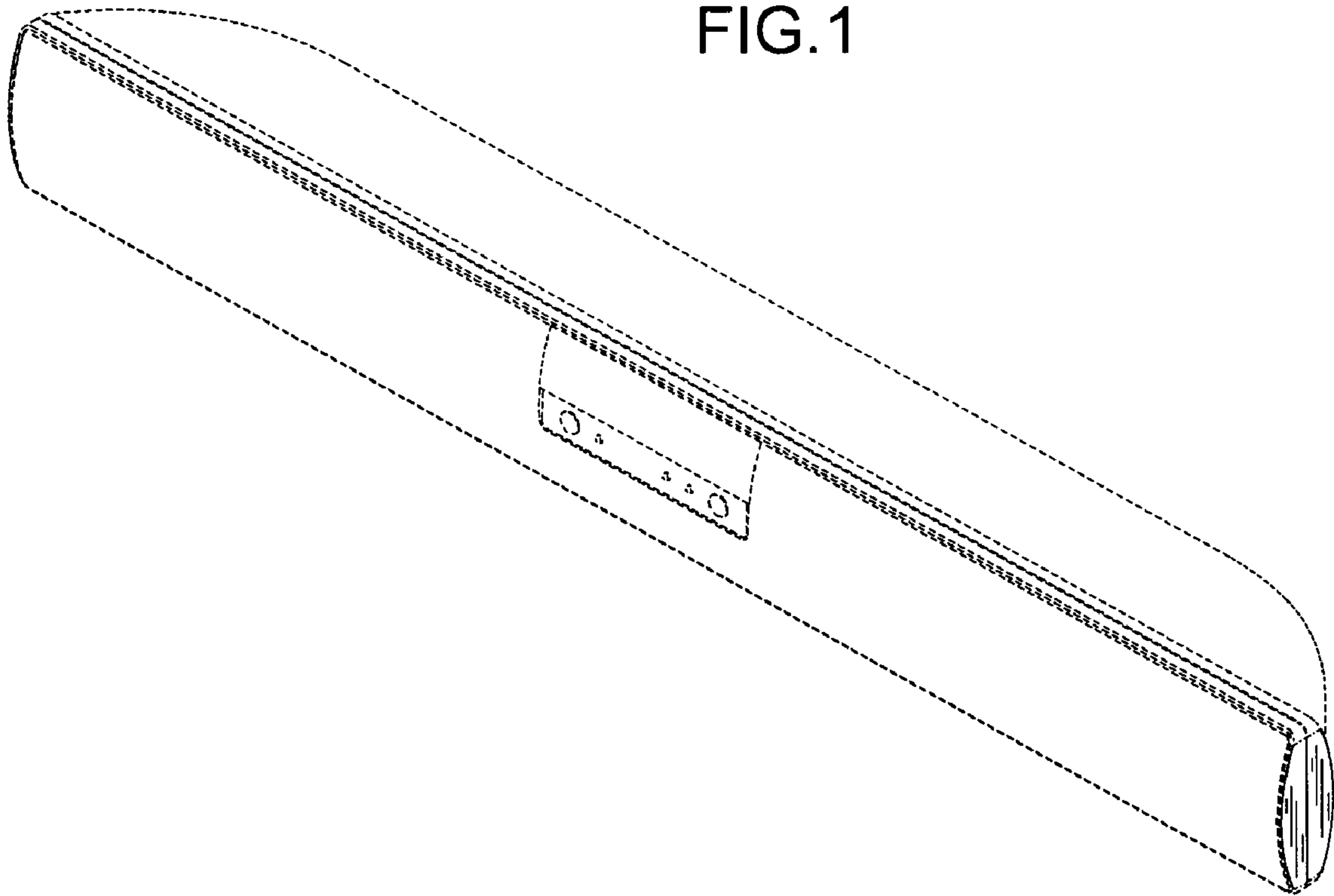


FIG.2

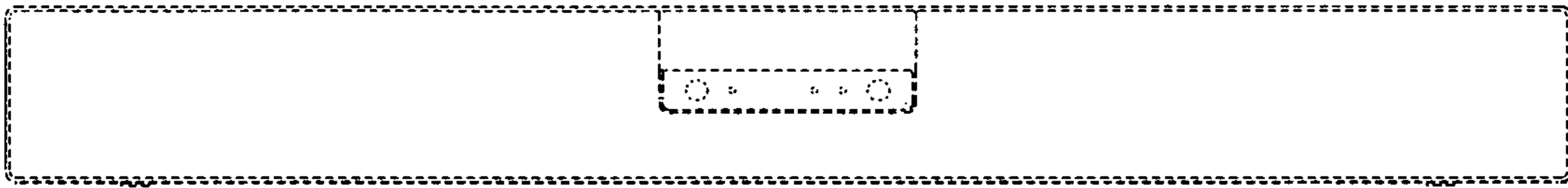


FIG.3

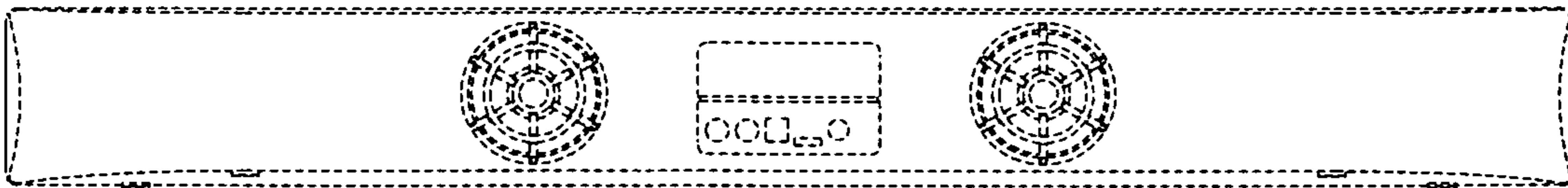


FIG.4

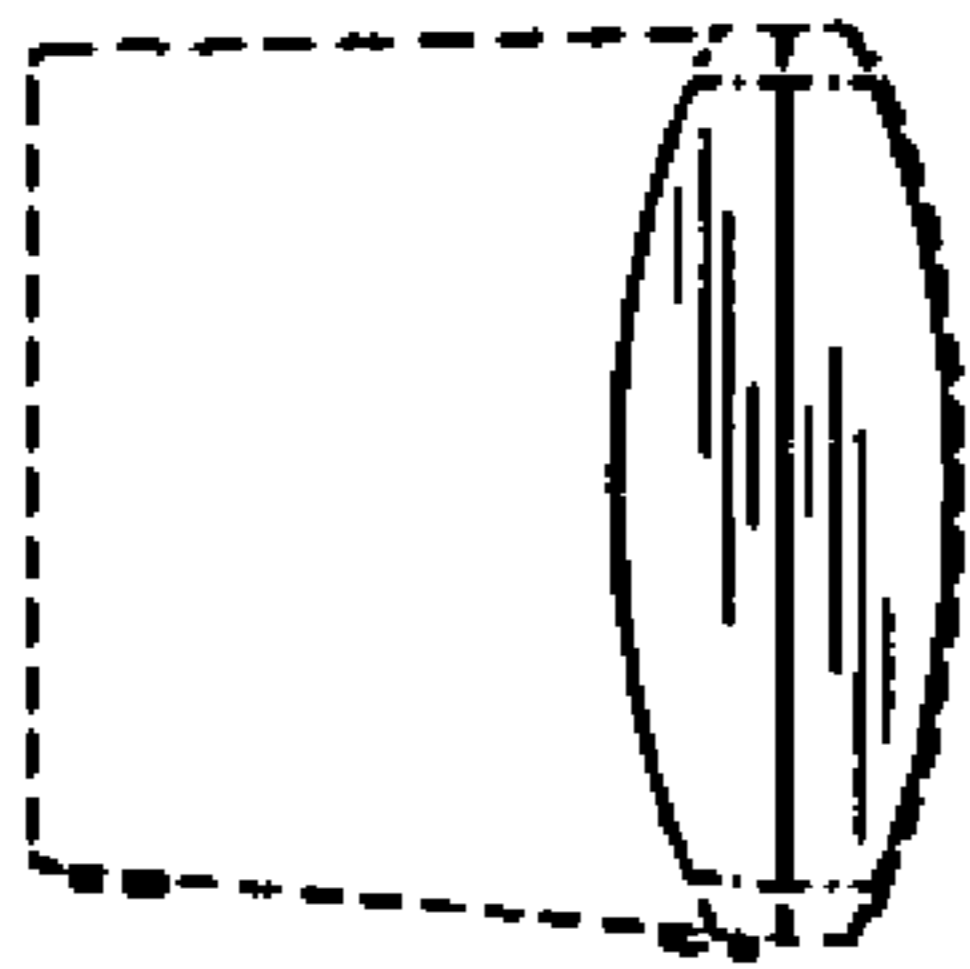


FIG.5

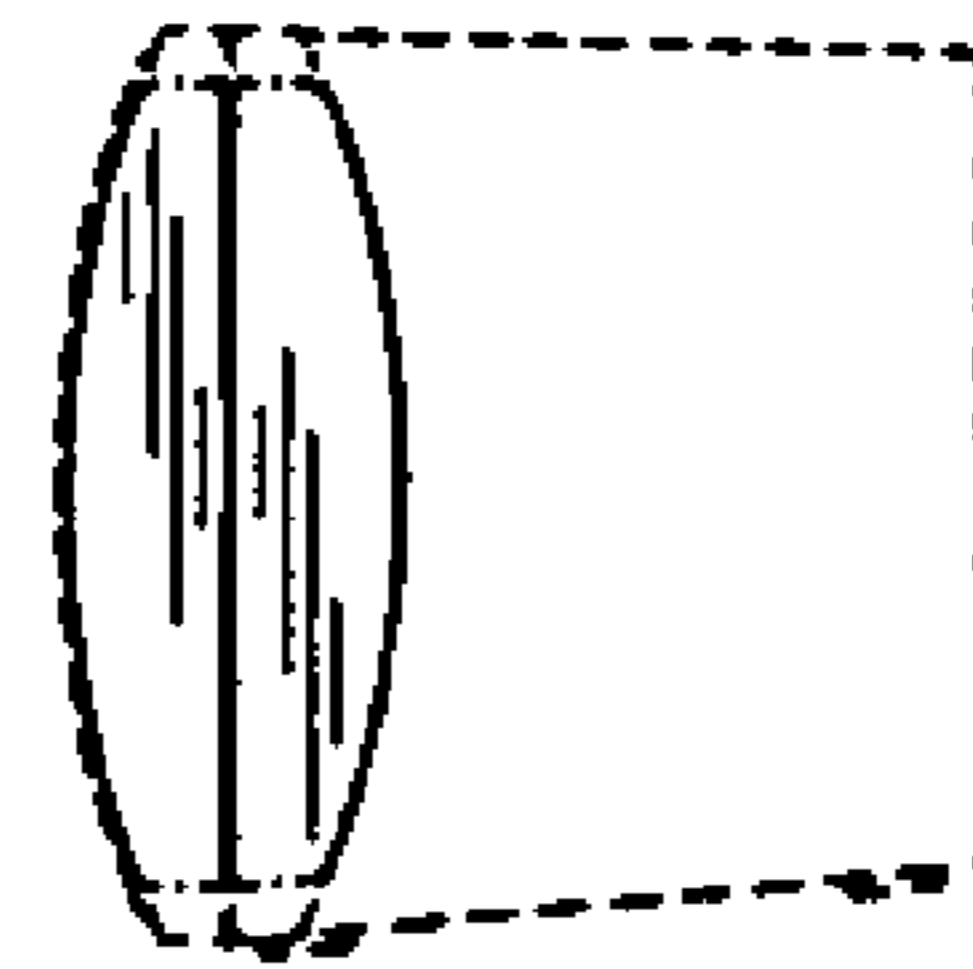


FIG.6

