

US00D648319S

(12) **United States Design Patent**
Chen

(10) **Patent No.:** **US D648,319 S**

(45) **Date of Patent:** **** Nov. 8, 2011**

(54) **WIRELESS SPEAKER**

(75) Inventor: **Chih-Chung Chen**, Taipei (TW)

(73) Assignee: **Cheng Uei Precision Industry Co., Ltd.**, New Taipei (TW)

(**) Term: **14 Years**

(21) Appl. No.: **29/381,556**

(22) Filed: **Dec. 20, 2010**

(51) **LOC (9) Cl.** **14-01**

(52) **U.S. Cl.** **D14/211**

(58) **Field of Classification Search** D14/204,
D14/210–216, 172; 181/143–144, 147–148,
181/150–153, 157, 198–199; 381/300–303,
381/306, 332–333, 336, 345, 361–364, 386–388
See application file for complete search history.

(56) **References Cited**

U.S. PATENT DOCUMENTS

D531,989 S * 11/2006 Dayan D14/215
D542,776 S * 5/2007 Dayan D14/215

D563,390 S * 3/2008 Vafiadis D14/215
D590,373 S * 4/2009 Brickstad D14/215
D604,270 S * 11/2009 Moeggenberg et al. D14/215

* cited by examiner

Primary Examiner — Nanda Bondade

(57) **CLAIM**

The ornamental design for a wireless speaker, as shown and described.

DESCRIPTION

FIG. 1 is a perspective view of a wireless speaker showing my new design;

FIG. 2 is a front elevational view thereof;

FIG. 3 is a rear elevational view thereof;

FIG. 4 is a left side elevational view thereof;

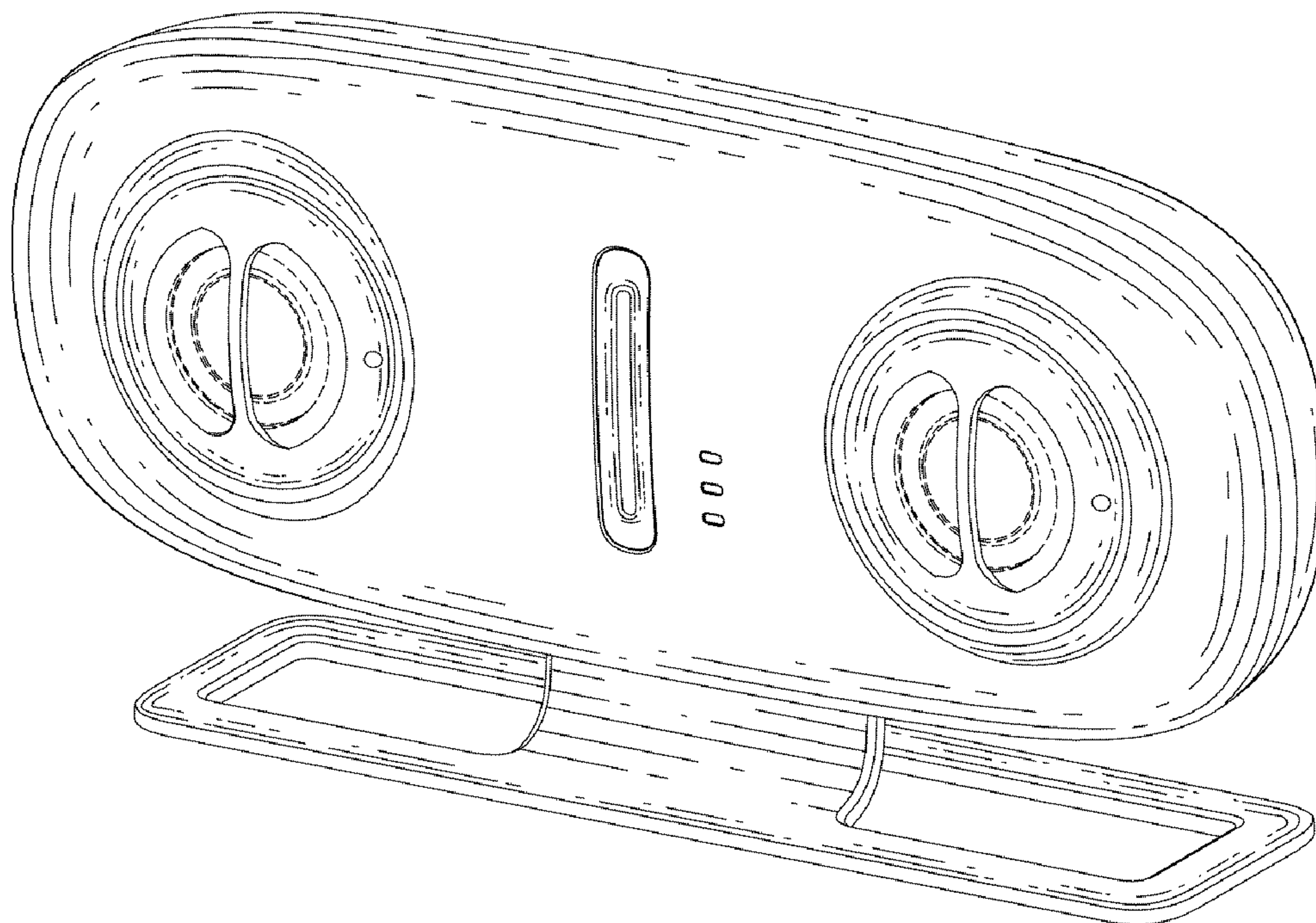
FIG. 5 is a right side elevational view thereof;

FIG. 6 is a top plan view thereof; and,

FIG. 7 is a bottom plan view thereof.

The portion of the wireless speaker shown in broken lines is for illustrative purposes only and forms no part of the claimed design.

1 Claim, 7 Drawing Sheets



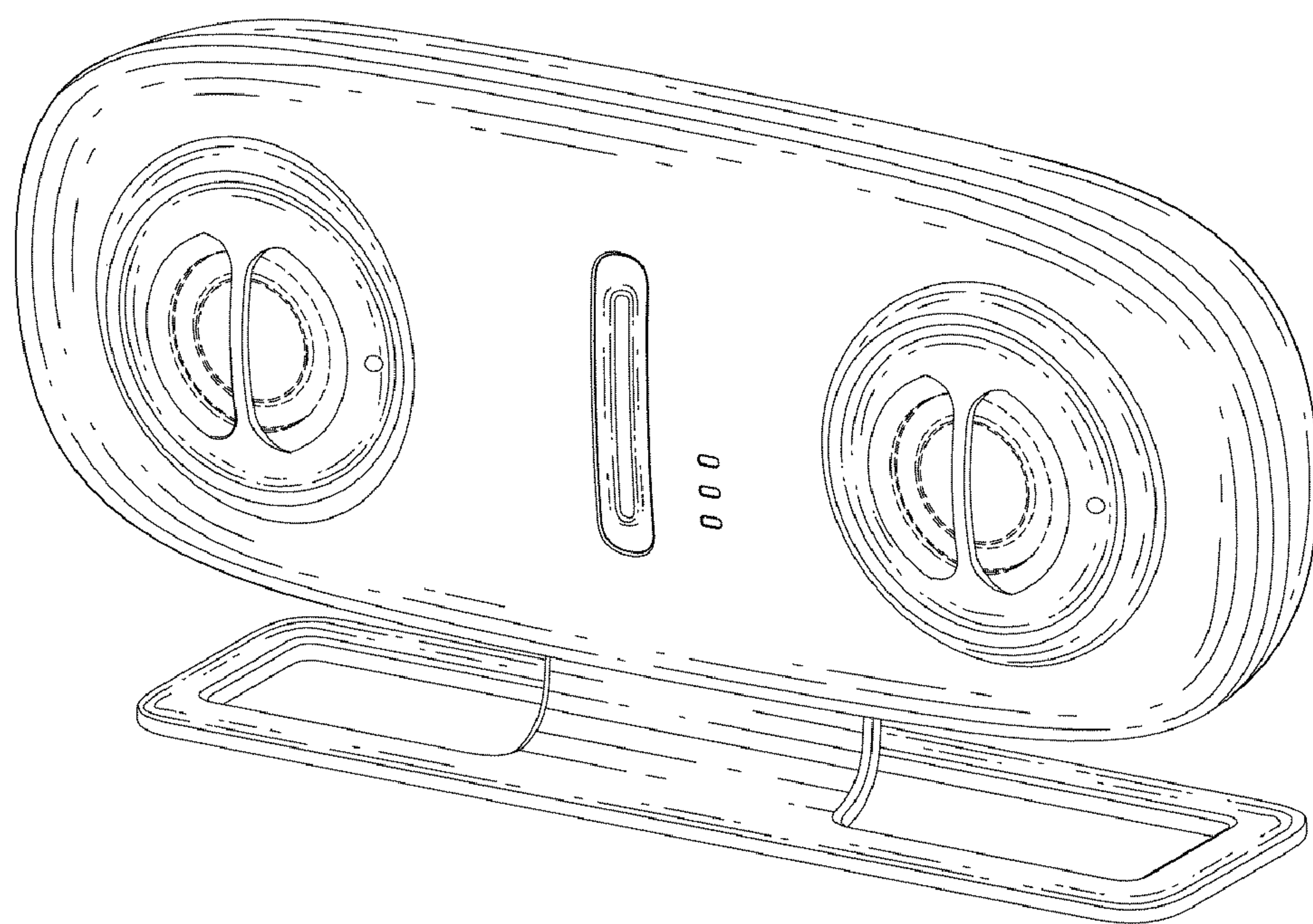


FIG. 1

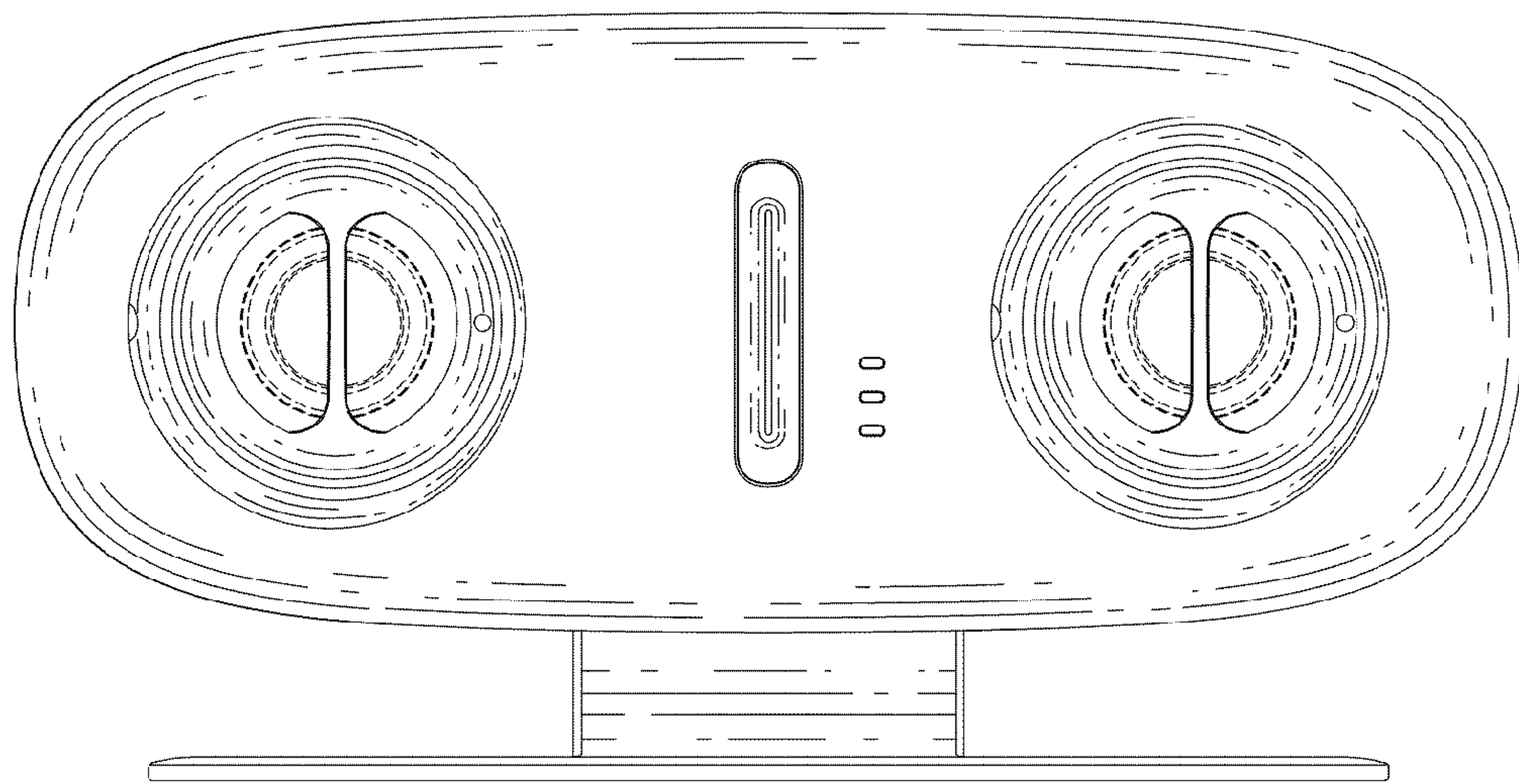


FIG. 2

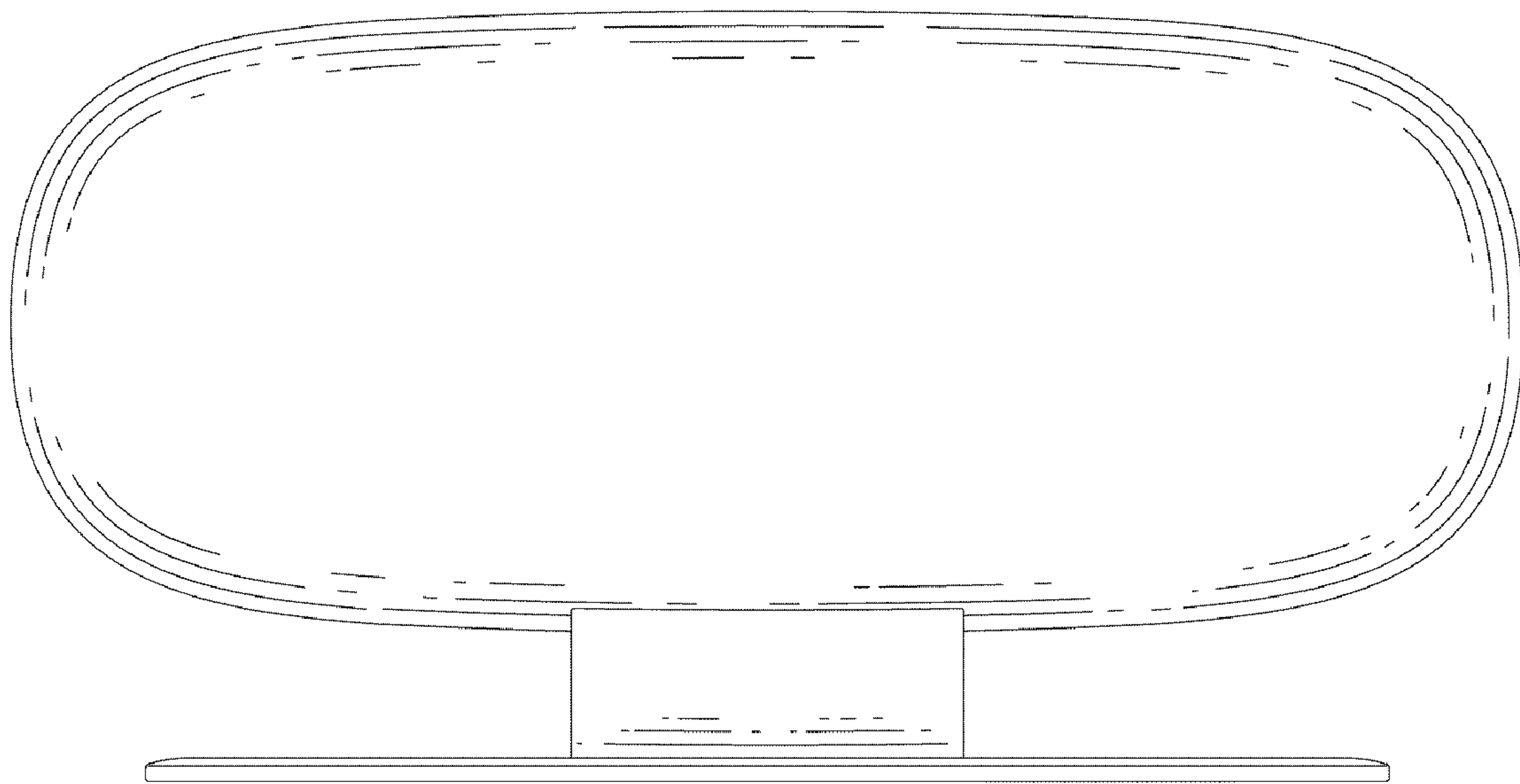


FIG. 3

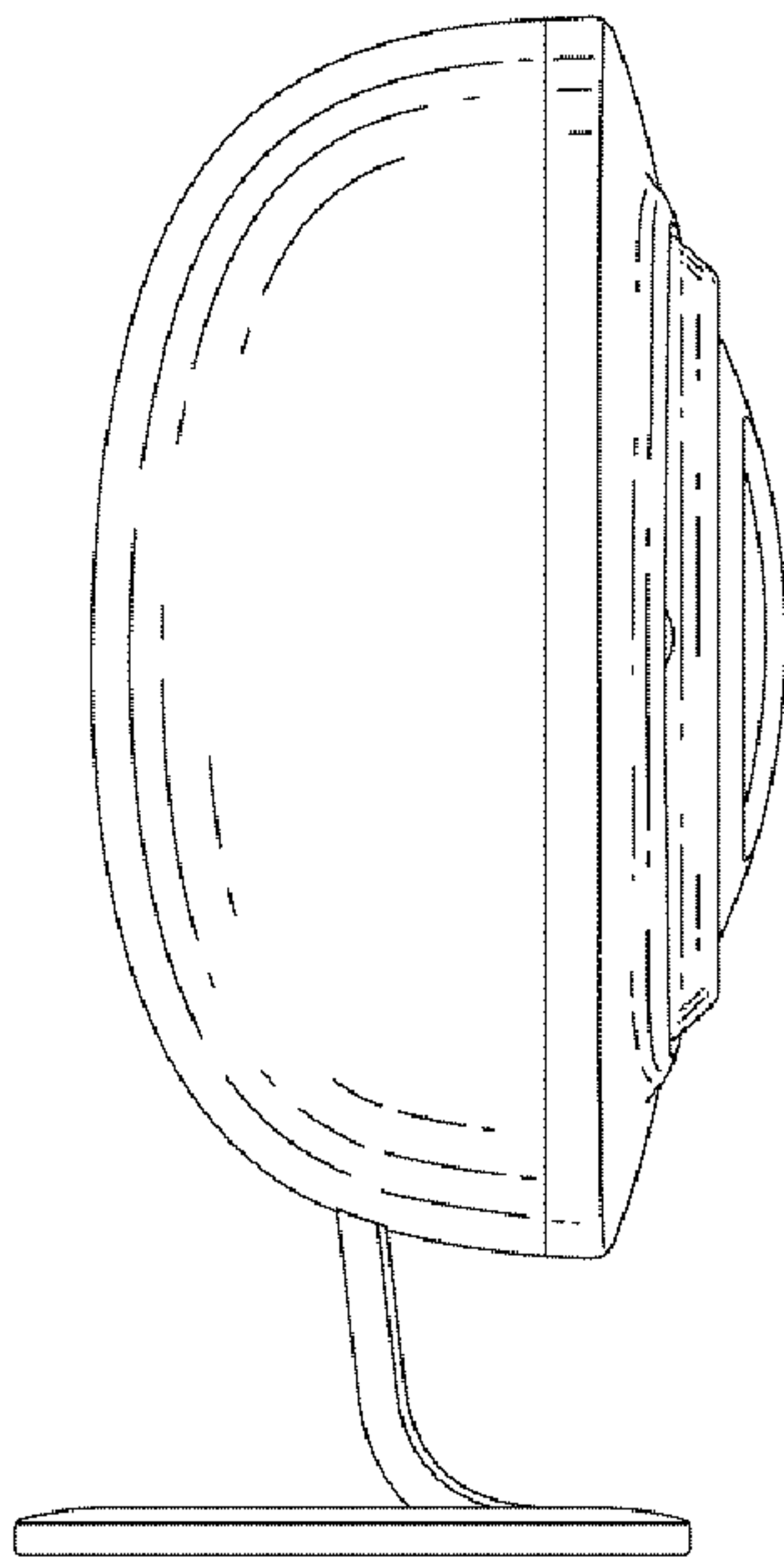


FIG. 4

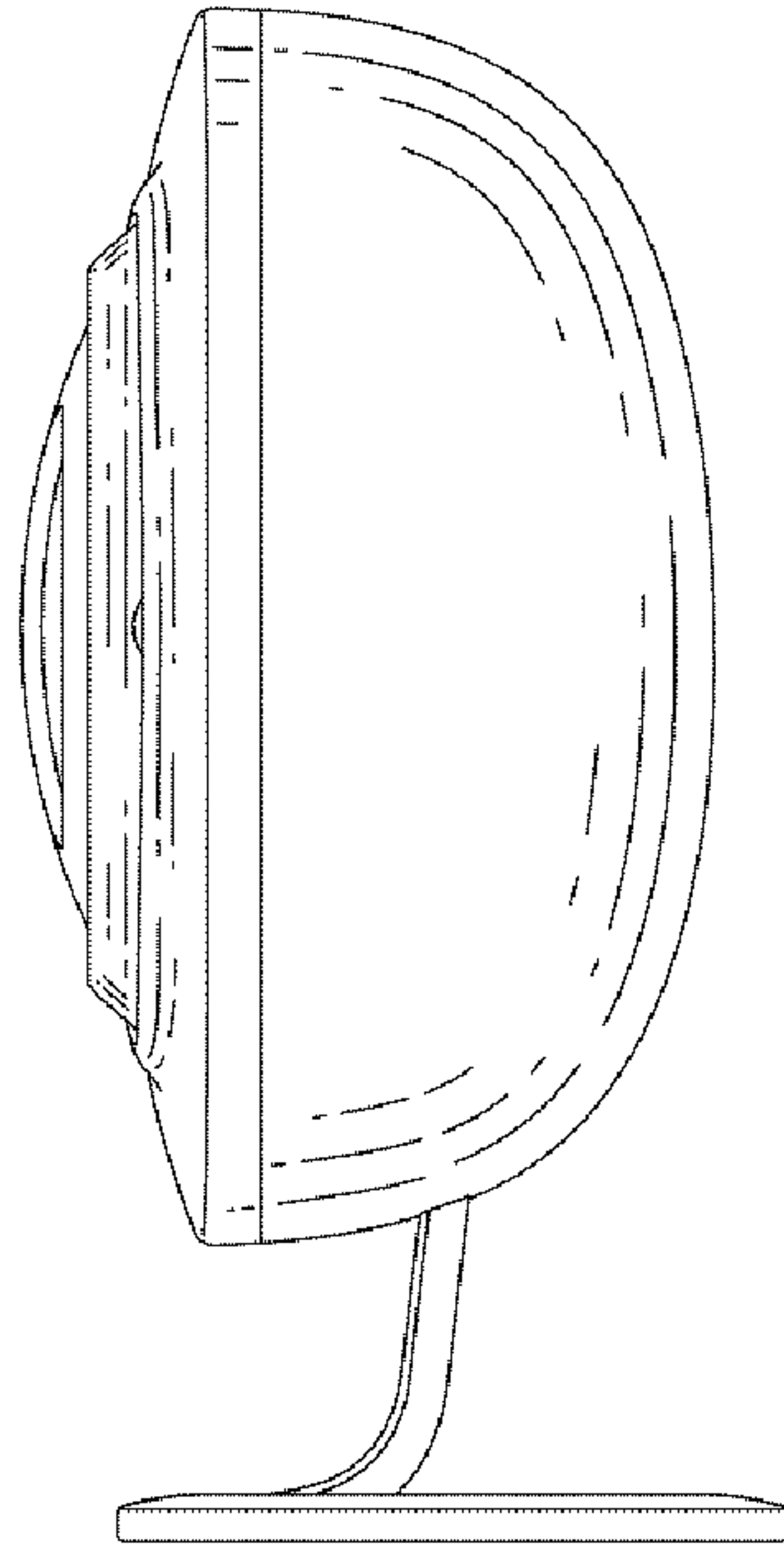


FIG. 5

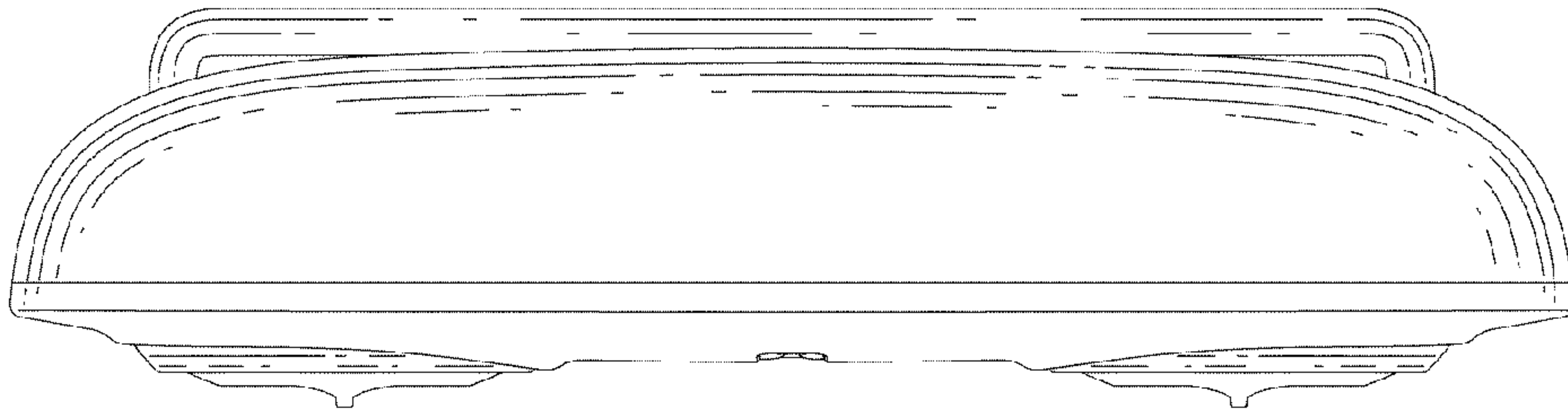


FIG. 6

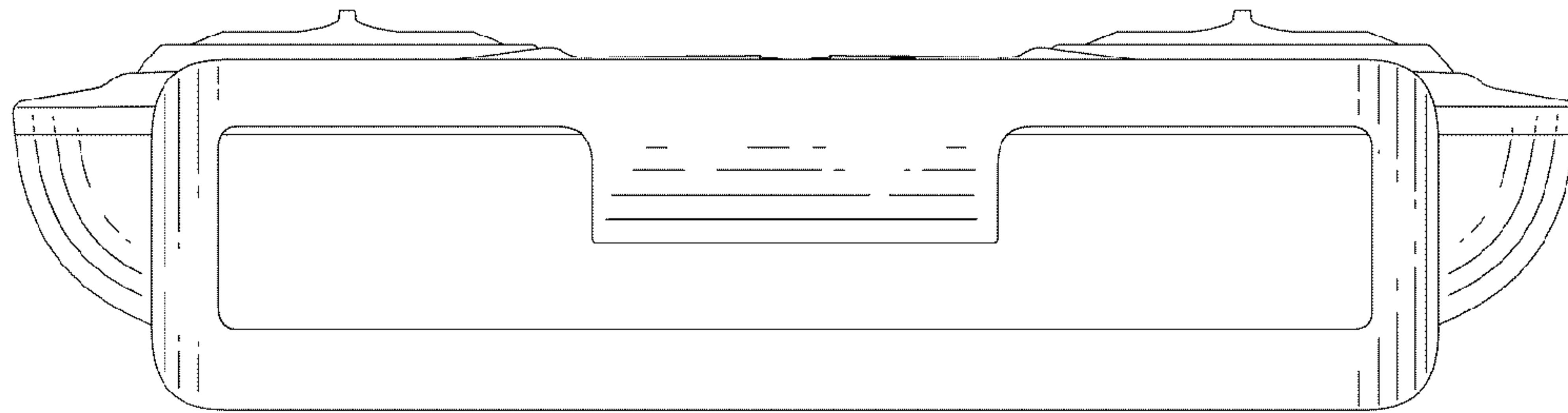


FIG. 7