



US00D648317S

(12) **United States Design Patent**
Katsuraku et al.

(10) **Patent No.:** **US D648,317 S**
(45) **Date of Patent:** **** Nov. 8, 2011**

(54) **EARPHONE**

(75) Inventors: **Junko Katsuraku**, Tokyo (JP); **Hiromi Inukai**, Tokyo (JP)

(73) Assignee: **Sony Corporation**, Tokyo (JP)

(**) Term: **14 Years**

(21) Appl. No.: **29/371,020**

(22) Filed: **Sep. 15, 2010**

(30) **Foreign Application Priority Data**

Mar. 17, 2010 (JP) D2010-006537
Mar. 17, 2010 (JP) D2010-006538
Mar. 17, 2010 (JP) D2010-006539

(51) **LOC (9) Cl.** **14-01**

(52) **U.S. Cl.** **D14/205**

(58) **Field of Classification Search** D14/205,
D14/206, 223; 181/129, 130, 135; 381/380,
381/381; 379/430, 431; 455/90.3, 575.1;
24/116 A, 116.12, 131 R; 224/258, 268;
63/3.1, 38, 40; D11/202, 204; D2/607
See application file for complete search history.

(56) **References Cited**

U.S. PATENT DOCUMENTS

D31,545 S * 9/1899 French D11/7
1,477,235 A * 12/1923 Ballou, Jr. 63/3.1
D85,153 S * 9/1931 Bergman D19/34
2,947,456 A * 8/1960 Seron 224/258
4,646,872 A * 3/1987 Kamon et al. 181/129
D291,894 S * 9/1987 Weisenfeld et al. D16/339
D372,684 S * 8/1996 Duncan D11/204
D372,793 S * 8/1996 Carlson D2/607
5,794,459 A * 8/1998 Ignatowski 63/38
6,027,213 A * 2/2000 Ignatowski 351/52
D577,990 S * 10/2008 Andre et al. D8/395
D578,507 S * 10/2008 Ando D14/205
D585,432 S 1/2009 Baker
D585,433 S 1/2009 Baker
D588,111 S 3/2009 Komiyama

D603,837 S * 11/2009 Martin D14/206
D605,628 S * 12/2009 Ando D14/205
D610,549 S 2/2010 Baker
D611,000 S 3/2010 Baker
D622,697 S * 8/2010 Kolton D14/205
D624,902 S * 10/2010 Kolton D14/205
D636,756 S * 4/2011 Fahrendorff et al. D14/205
D637,998 S * 5/2011 Brunner et al. D14/205

OTHER PUBLICATIONS

Images from <http://panasonicjp/headphone/hjf3/index.html>.

* cited by examiner

Primary Examiner — Paula Greene

(74) *Attorney, Agent, or Firm* — Rader, Fishman & Grauer PLLC

(57) **CLAIM**

The ornamental design for an earphone, as shown and described.

DESCRIPTION

FIG. 1 is a perspective view of an earphone showing our new design;
FIG. 2 is a front elevational view thereof;
FIG. 3 is a rear elevational view thereof;
FIG. 4 is a top plan view thereof;
FIG. 5 is a bottom plan view thereof;
FIG. 6 is a right side elevational view thereof; and
FIG. 7 is a left side elevational view thereof.
FIG. 8 is a perspective view of another embodiment of an earphone showing our new design;
FIG. 9 is a front elevational view thereof;
FIG. 10 is a rear elevational view thereof;
FIG. 11 is a top plan view thereof;
FIG. 12 is a bottom plan view thereof;
FIG. 13 is a right side elevational view thereof; and,
FIG. 14 is a left side elevational view thereof.
Portions in broken lines are for illustrative purposes only and form no part of claimed design.

1 Claim, 12 Drawing Sheets

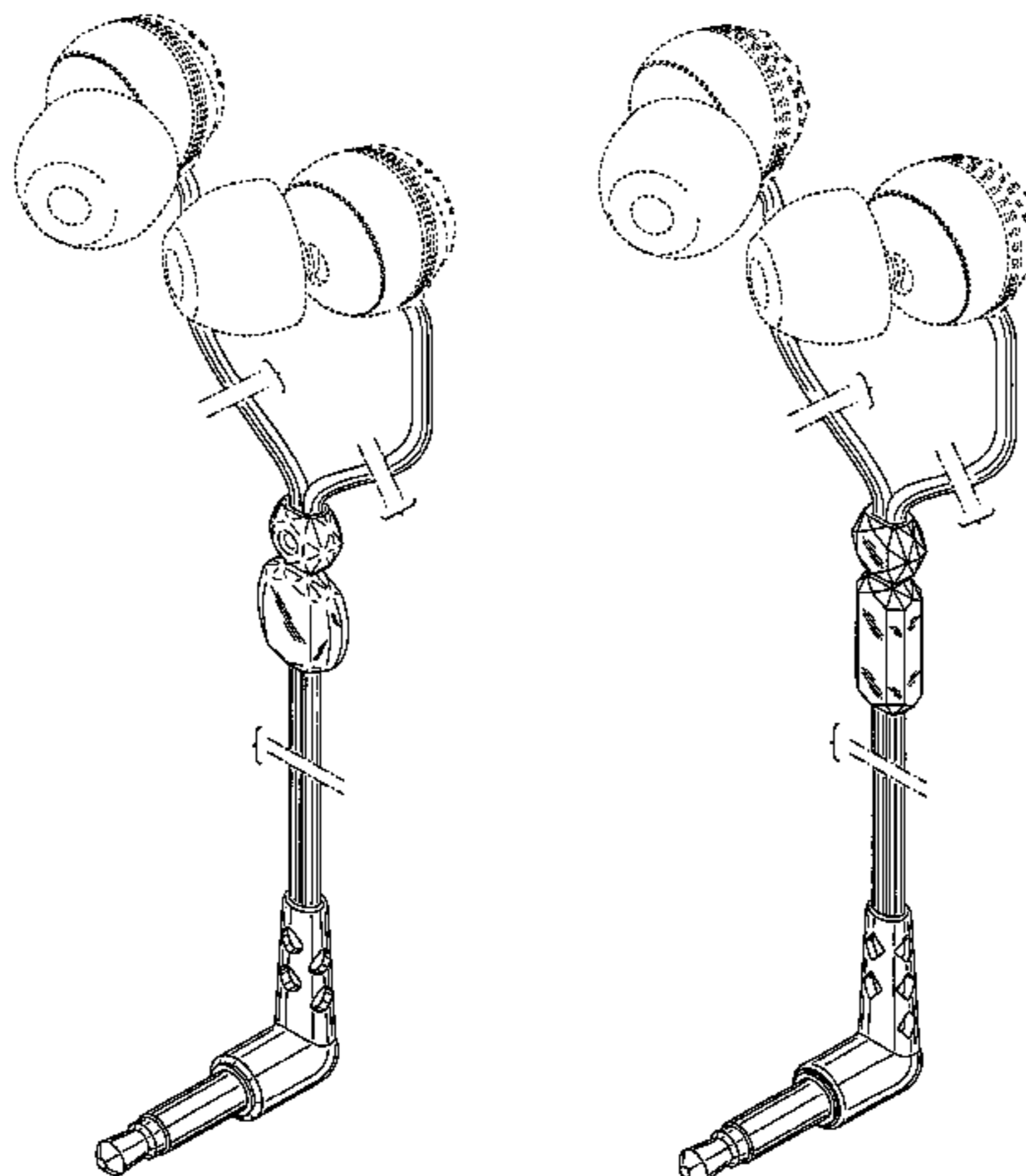


FIG. 1

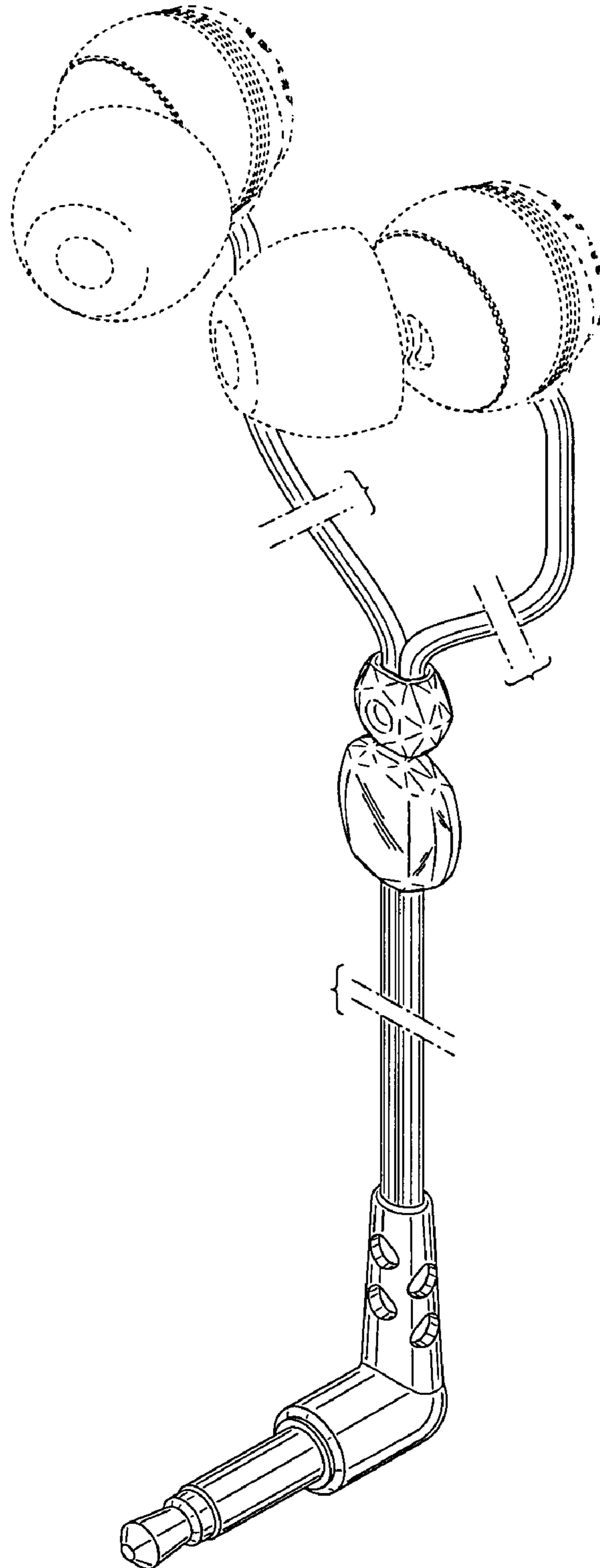


FIG.2

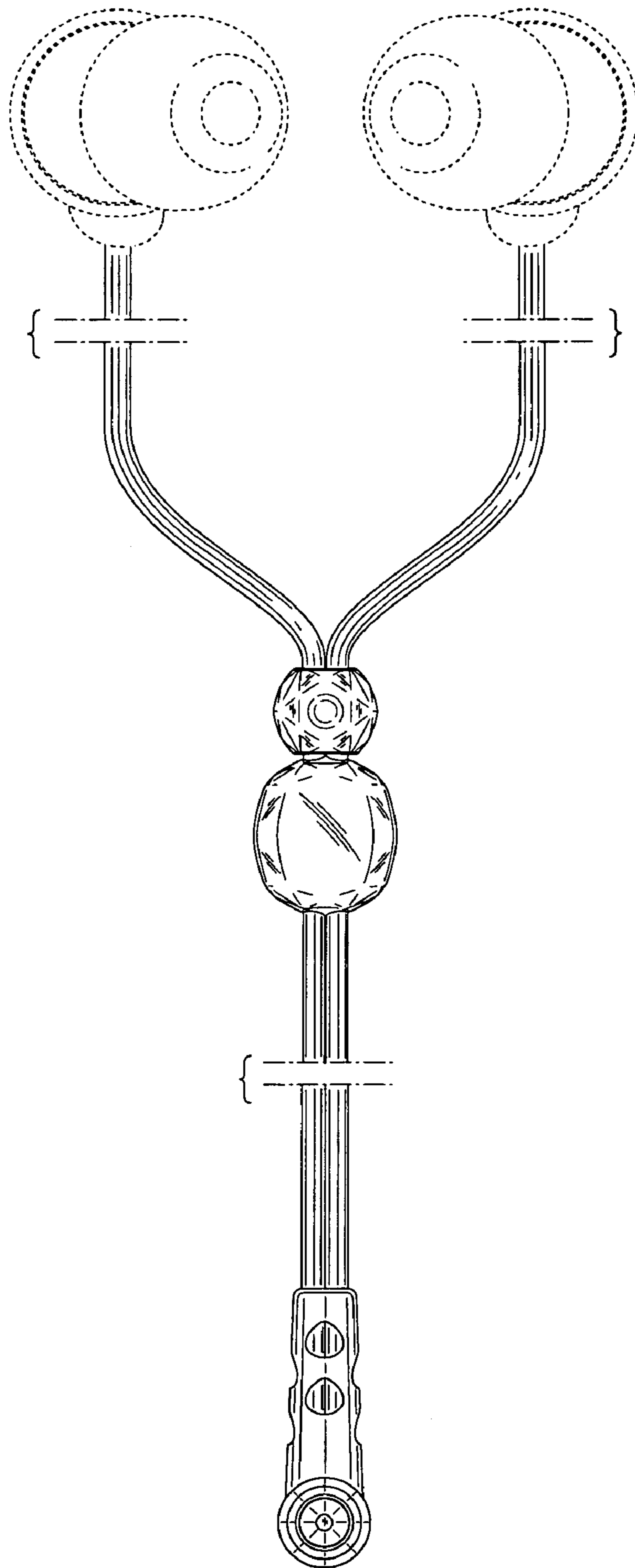


FIG. 3

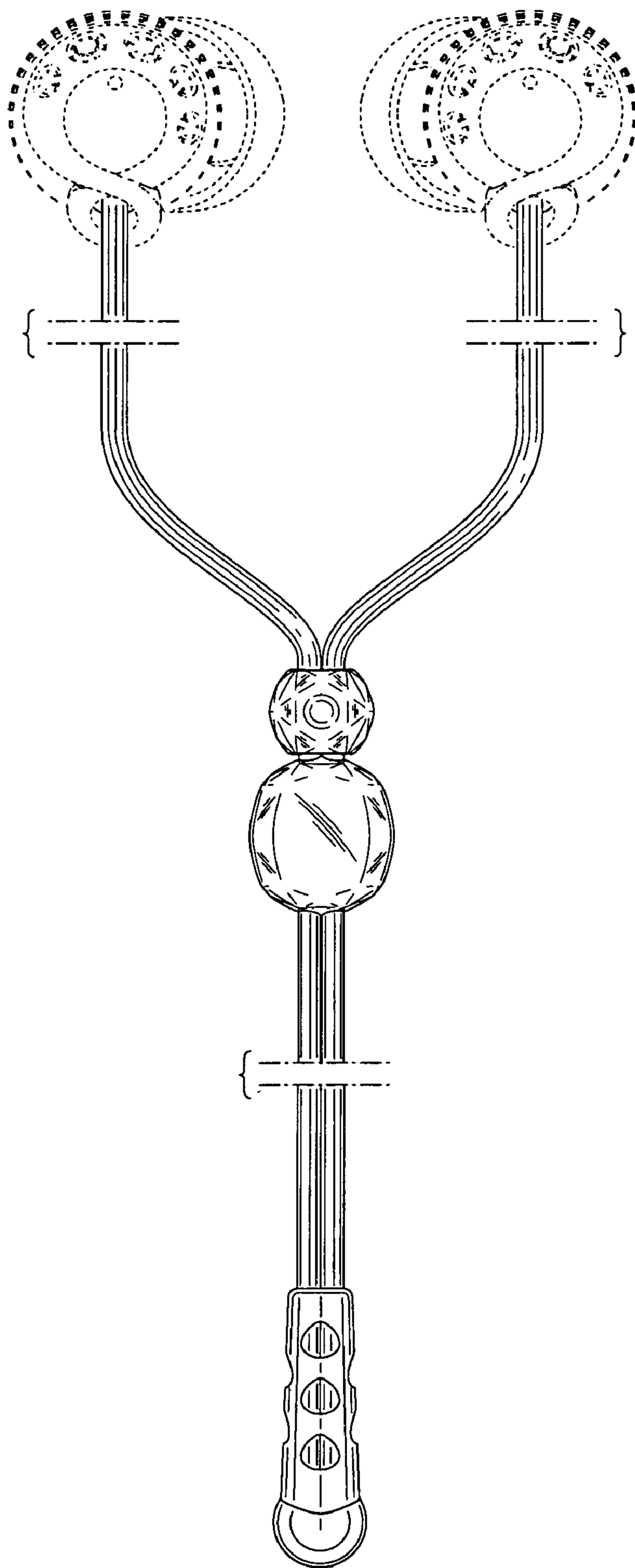


FIG.4

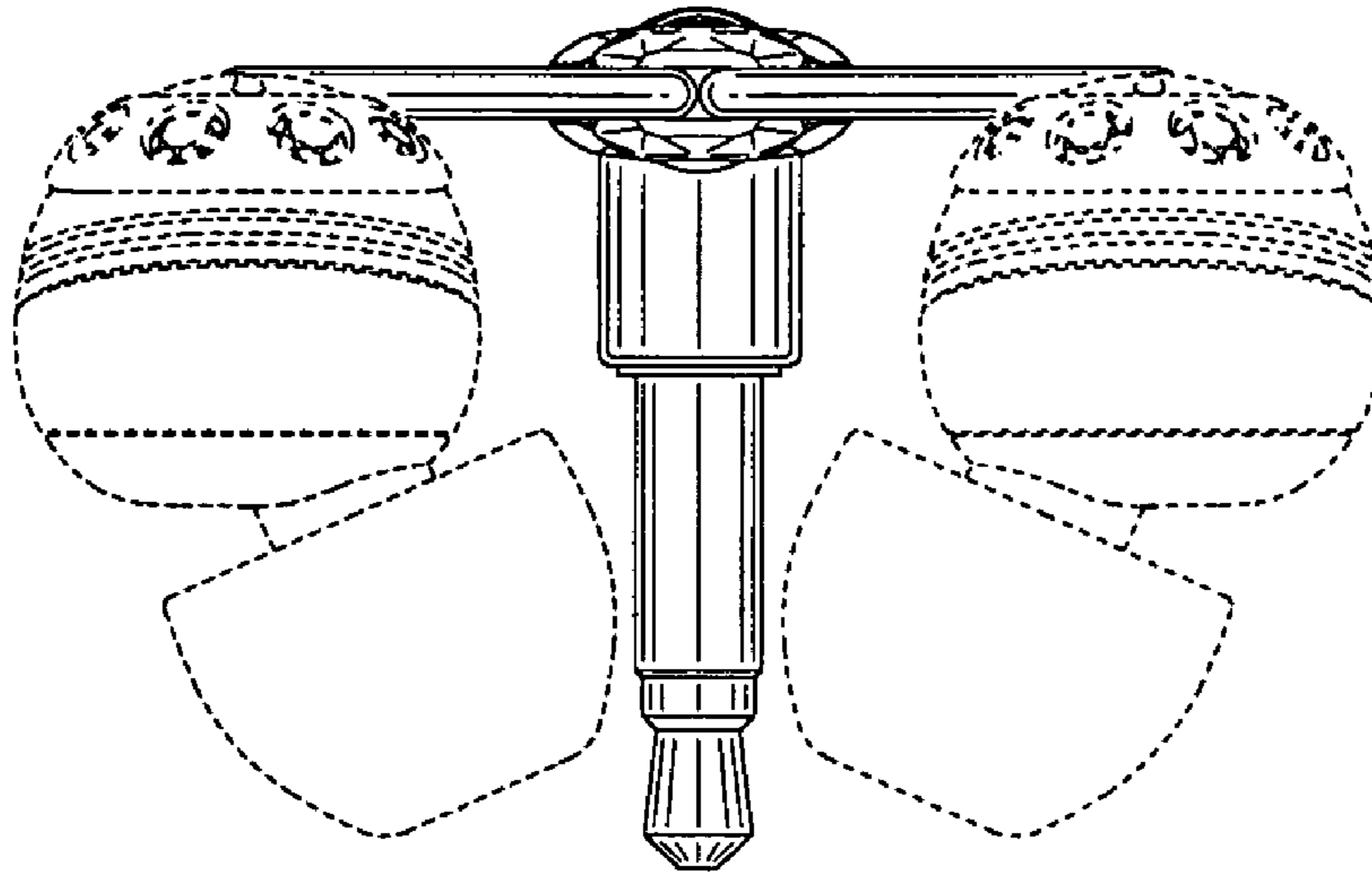


FIG.5

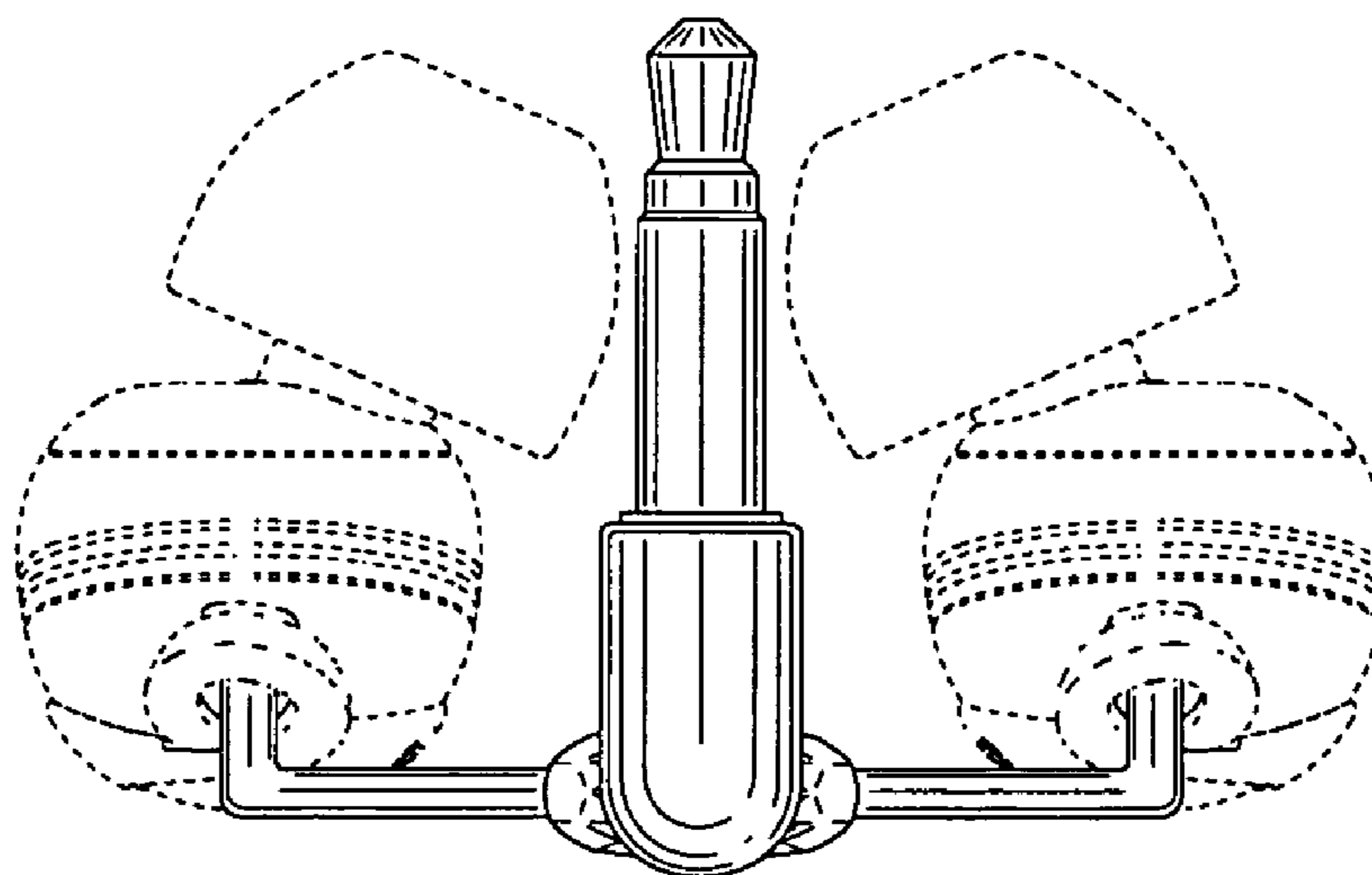


FIG. 6

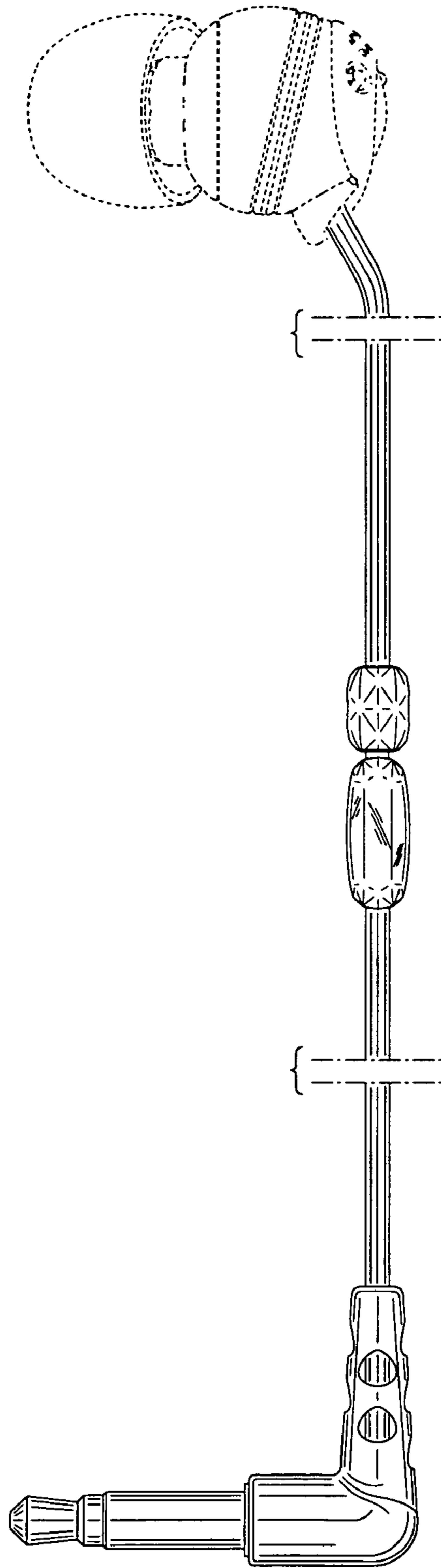


FIG.7

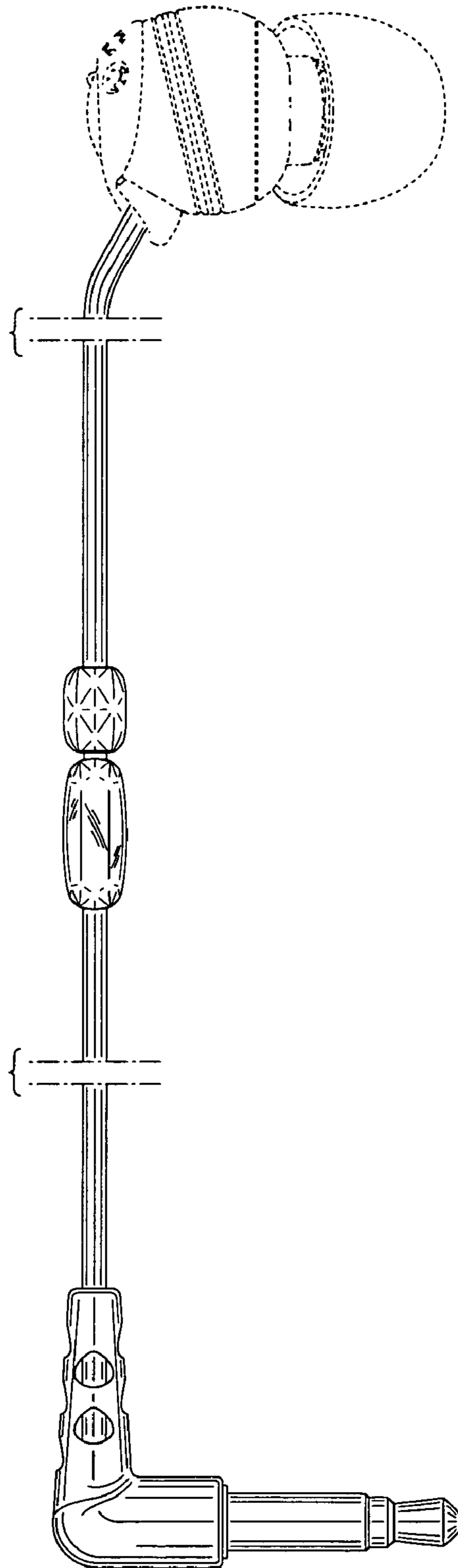


FIG.8

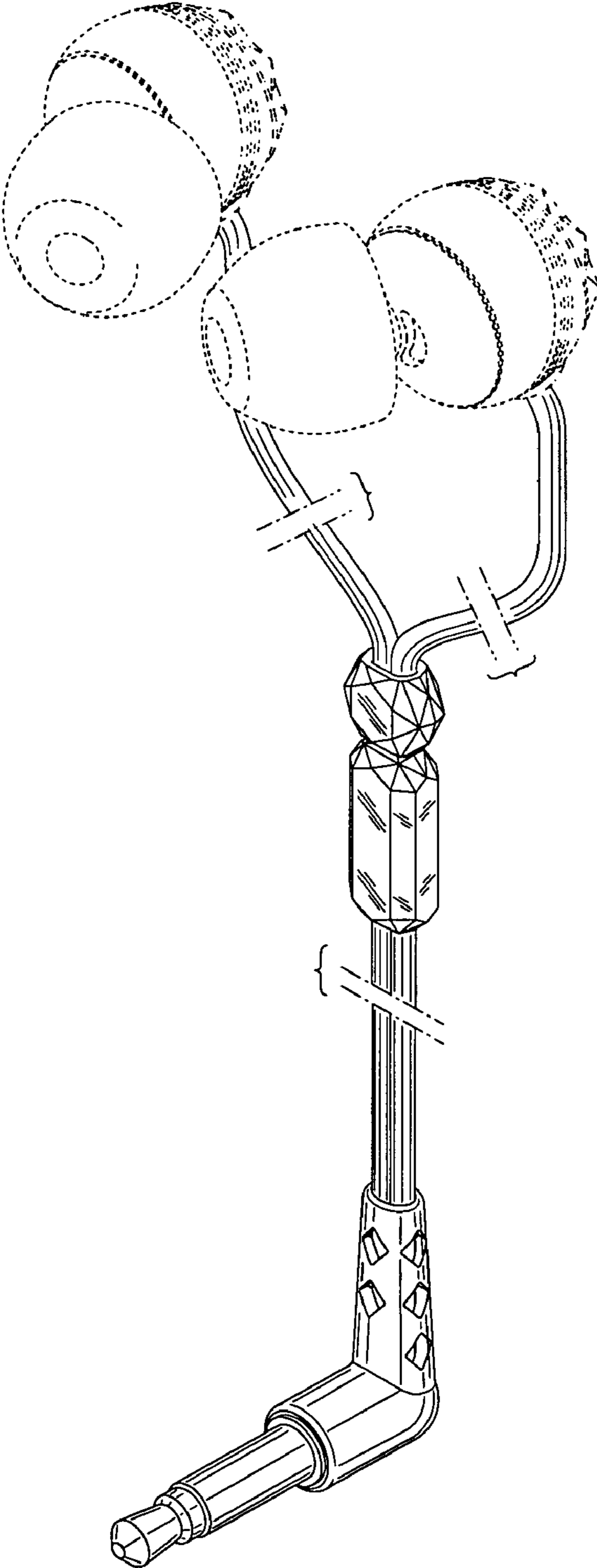


FIG.9

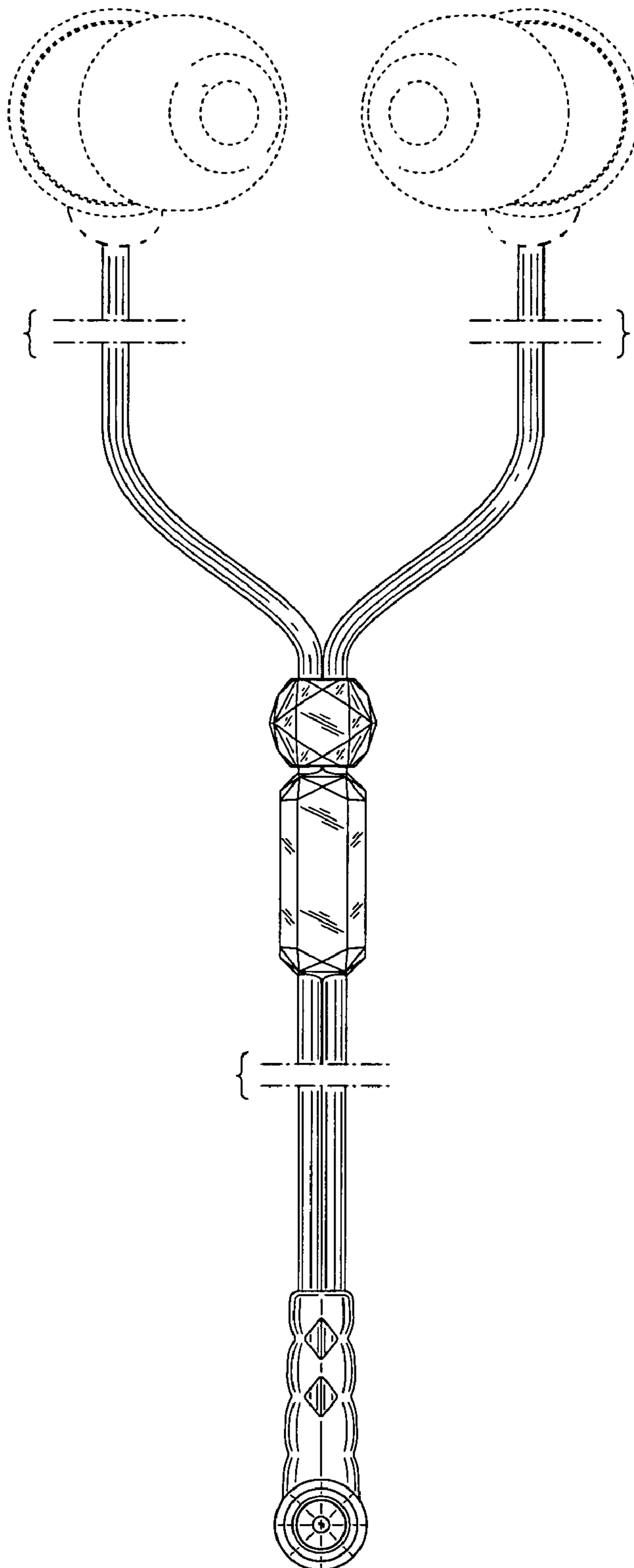


FIG.10

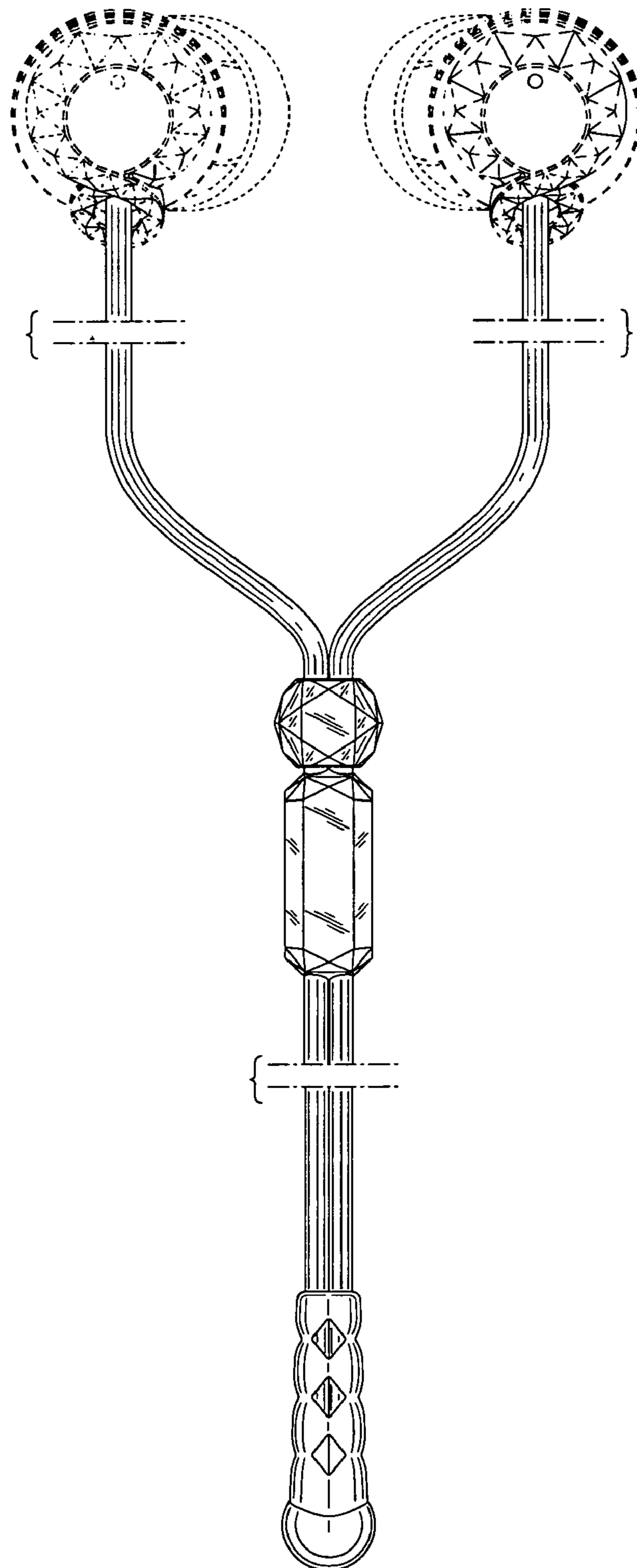


FIG.11

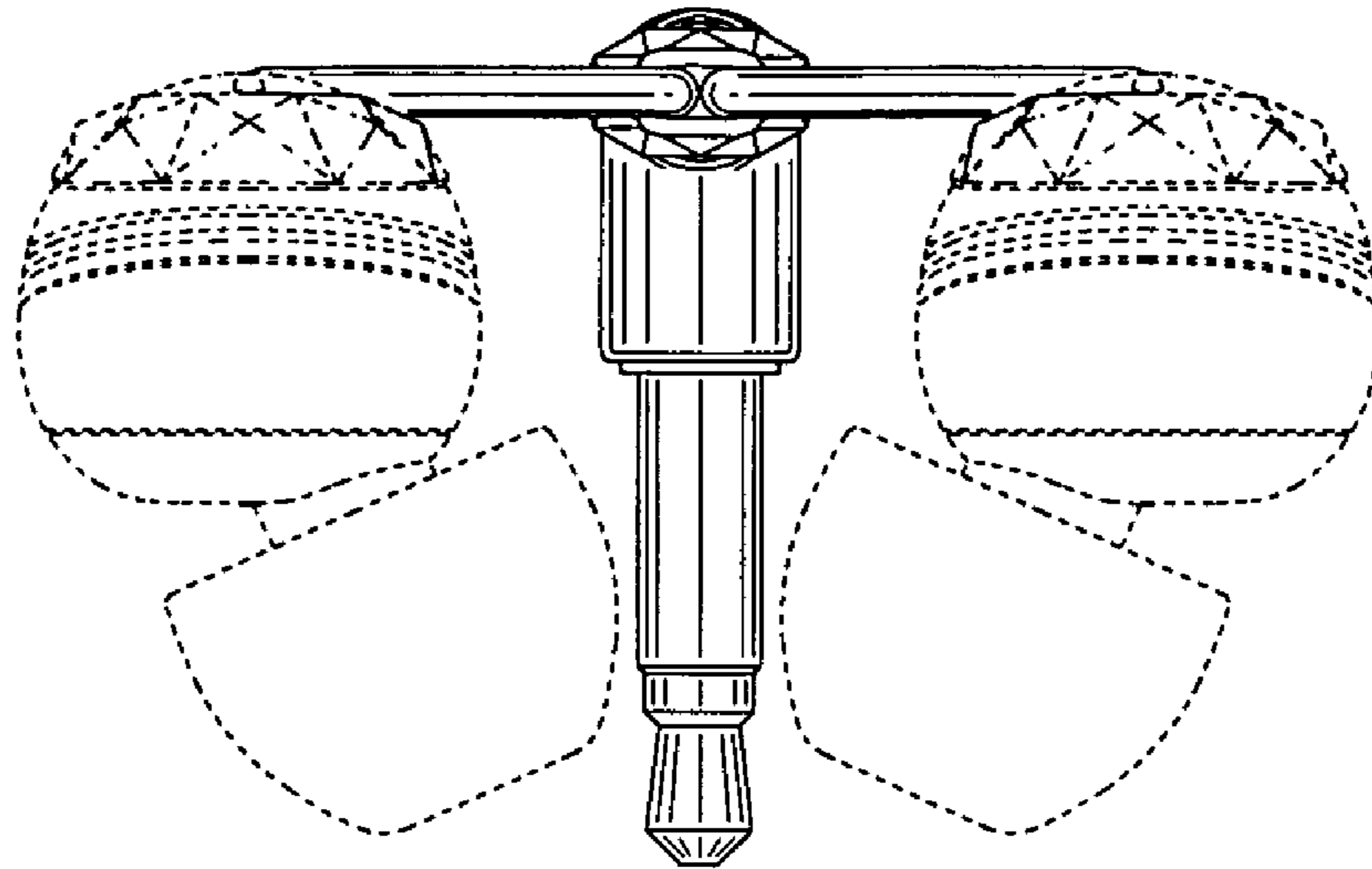


FIG.12

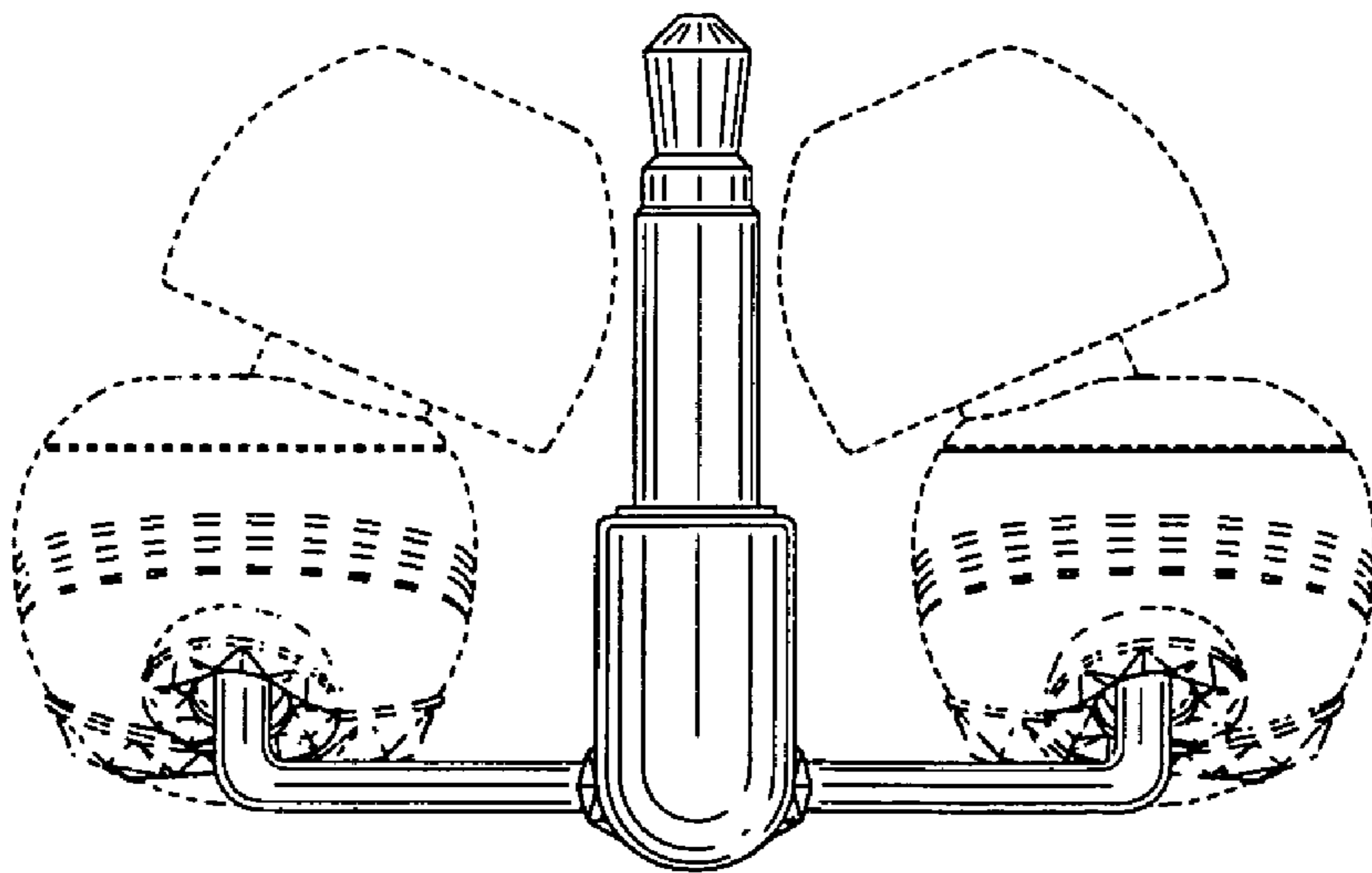


FIG.13

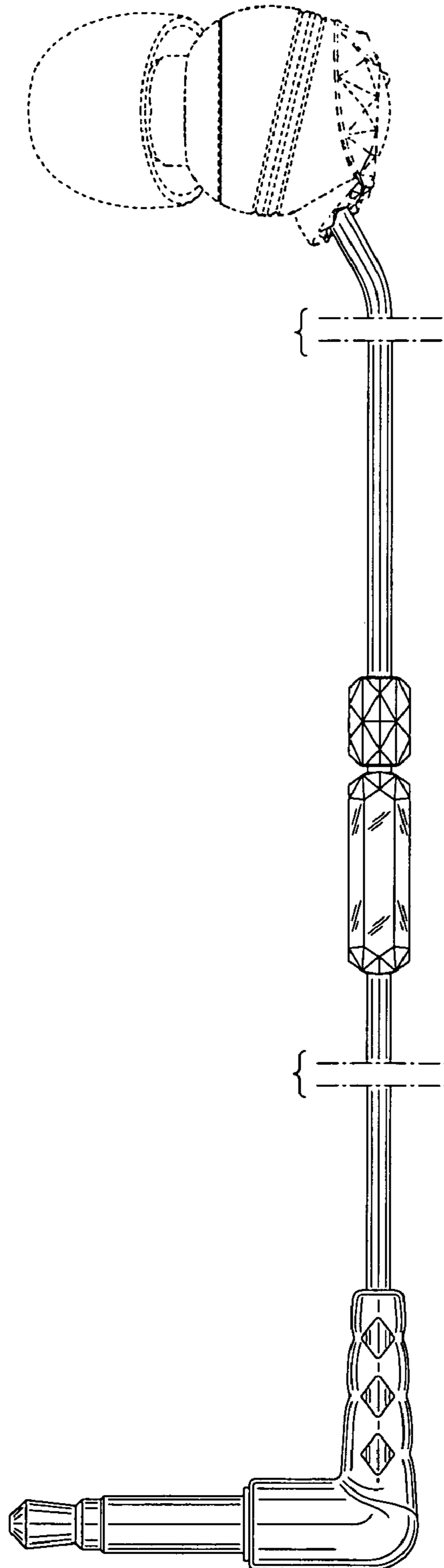


FIG. 14

