



US00D648316S

(12) **United States Design Patent**  
**Lee et al.**

(10) **Patent No.:** **US D648,316 S**  
(45) **Date of Patent:** **\*\* Nov. 8, 2011**

- (54) **AUDIO LISTENING SYSTEM**
- (75) Inventors: **Noel Lee**, Las Vegas, NV (US); **Jacky Hsiung**, San Jose, CA (US)
- (73) Assignee: **Monster Cable Products, Inc.**, Brisbane, CA (US)
- (\*\*) Term: **14 Years**
- (21) Appl. No.: **29/369,171**
- (22) Filed: **Sep. 2, 2010**
- (51) **LOC (9) Cl.** ..... **14-01**
- (52) **U.S. Cl.** ..... **D14/205**
- (58) **Field of Classification Search** ..... D14/205, D14/206, 223, 249; 181/129, 130, 135; 379/430, 379/431; 381/380, 381; D13/168  
See application file for complete search history.

(56) **References Cited**

U.S. PATENT DOCUMENTS

4,646,872	A *	3/1987	Kamon et al.	181/129
D591,264	S *	4/2009	Hong et al.	D14/205
D594,441	S	6/2009	Lee et al.	
D597,071	S *	7/2009	Andre et al.	D14/206
D598,901	S	8/2009	Lee et al.	
D599,778	S *	9/2009	Ando	D14/205
D599,779	S *	9/2009	Ando	D14/205
D599,781	S	9/2009	Lee et al.	
D600,675	S	9/2009	Lee et al.	
D603,837	S *	11/2009	Martin	D14/206

(Continued)

*Primary Examiner* — Paula Greene

(74) *Attorney, Agent, or Firm* — LaRiviere, Grubman & Payne, LLP

(57) **CLAIM**

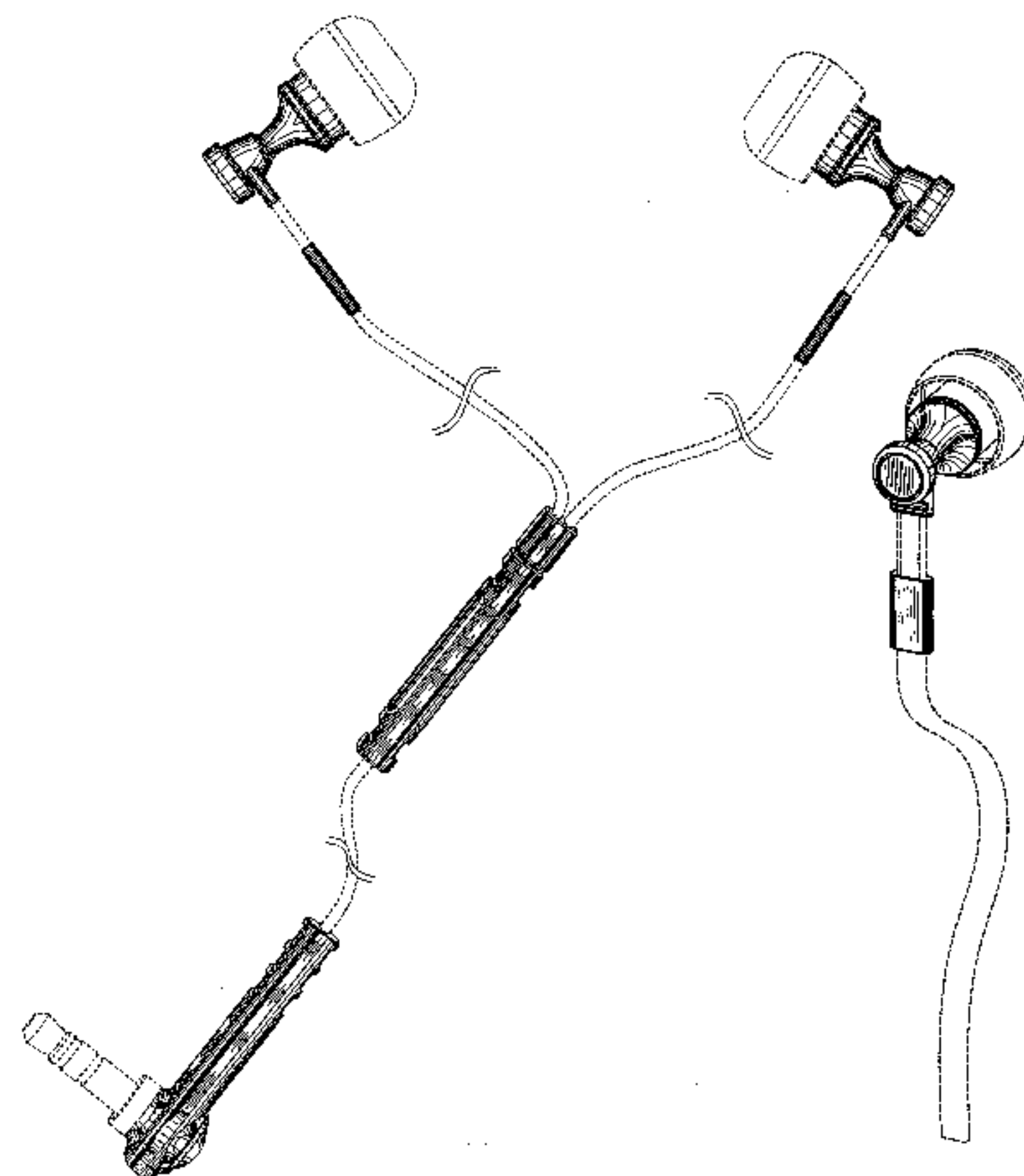
The ornamental design for an audio listening system, as shown and described.

**DESCRIPTION**

FIG. 1 is a perspective view of an audio listening system, showing our design;  
 FIG. 2 is a perspective view of the headphone portion of an audio listening system of FIG. 1, shown separately for purposes of illustration;

FIG. 3 is an opposing perspective view of the headphone portion of FIG. 2;  
 FIG. 4 is a front view of the headphone portion of FIG. 2;  
 FIG. 5 is a rear view of the headphone portion of FIG. 2;  
 FIG. 6 is a side view of the headphone portion of FIG. 2;  
 FIG. 7 is an opposing side view of the headphone portion of FIG. 2;  
 FIG. 8 is a top view of the headphone portion of FIG. 2;  
 FIG. 9 is a bottom view of the headphone portion of FIG. 2;  
 FIG. 9A is a bottom view thereof, wherein the cable shown in dotted lines in FIG. 9 have been removed to show only the claimed subject matter.  
 FIG. 10 is a perspective view of a cable splitter portion of an audio listening system of FIG. 1, shown separately for purposes of illustration;  
 FIG. 11 is a side view of the cable splitter portion of FIG. 10;  
 FIG. 12 is an opposing side view of the cable splitter portion of FIG. 10;  
 FIG. 13 is a front view of the cable splitter portion of FIG. 10;  
 FIG. 14 is a rear view of the cable splitter portion of FIG. 10;  
 FIG. 15 is a top view of the cable splitter portion of FIG. 10;  
 FIG. 15A is a bottom view thereof, wherein the cable shown in dotted lines in FIG. 15 have been removed to show only the claimed subject matter.  
 FIG. 16 is a bottom view of the cable splitter portion of FIG. 10;  
 FIG. 16A is a bottom view thereof, wherein the cable shown in dotted lines in FIG. 16 have been removed to show only the claimed subject matter.  
 FIG. 17 is a perspective view of the connector portion of an audio listening system of FIG. 1, shown separately for purposes of illustration;  
 FIG. 18 is a front view of the connector portion of FIG. 17;  
 FIG. 19 is rear view of the connector portion of FIG. 17;  
 FIG. 20 is a side view of the connector portion of FIG. 17;  
 FIG. 21 is an opposing side view of the connector portion of FIG. 17;  
 FIG. 22 is a top view of the connector portion of FIG. 17; and,  
 FIG. 23 is a bottom view of the connector portion of FIG. 17.  
 The broken lines showing the environment are for illustrative purposes only and form no part of the claimed design.

**1 Claim, 10 Drawing Sheets**



# US D648,316 S

Page 2

---

## U.S. PATENT DOCUMENTS

D605,170 S	*	12/2009	Keinanen .....	D14/205	D624,902 S	*	10/2010	Kolton .....	D14/205
D605,628 S	*	12/2009	Ando .....	D14/205	D636,756 S	*	4/2011	Fahrendorff et al. ....	D14/205
D622,697 S	*	8/2010	Kolton .....	D14/205	D637,998 S	*	5/2011	Brunner et al. ....	D14/205
D624,058 S	*	9/2010	Kolton .....	D14/225					

\* cited by examiner

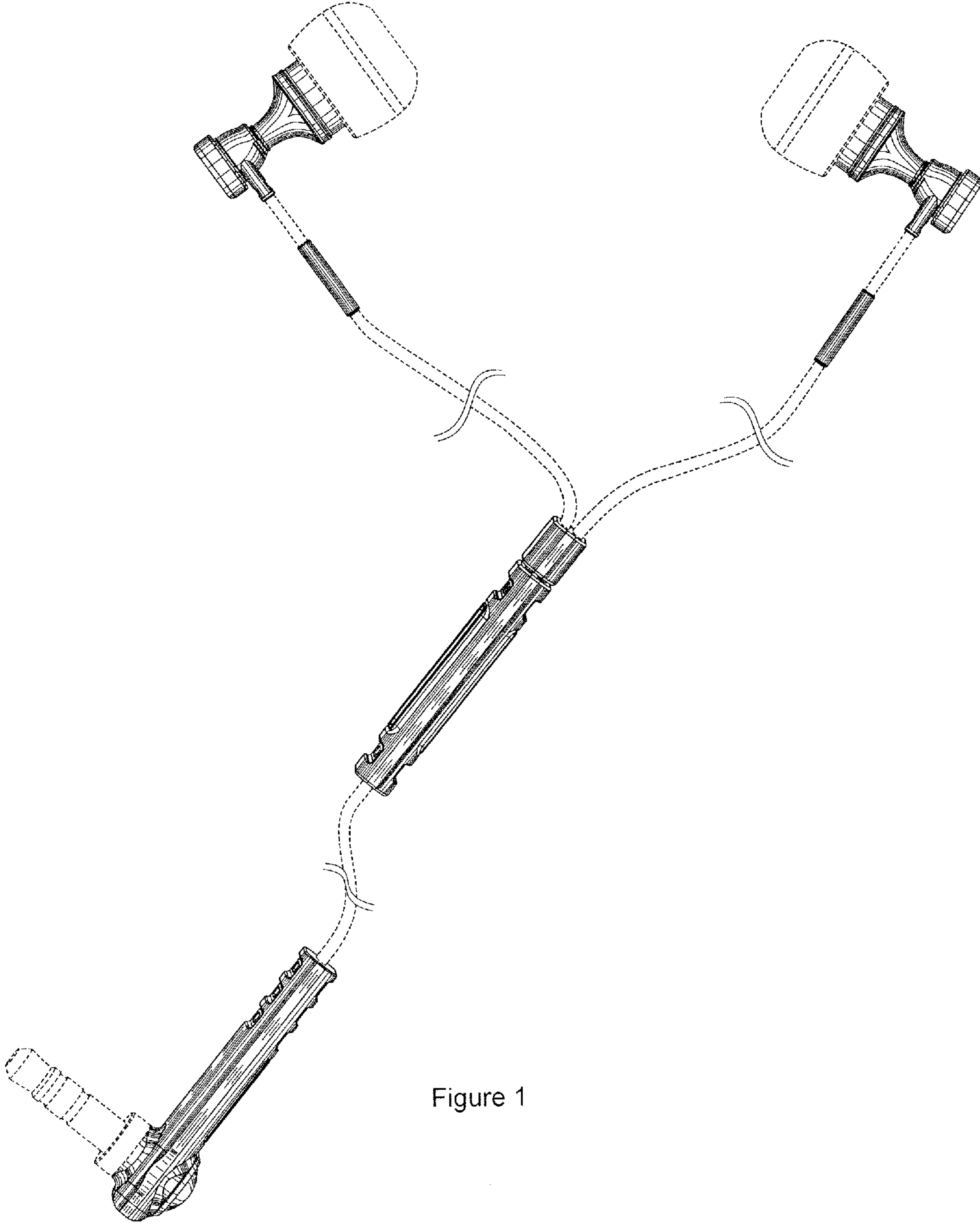


Figure 1

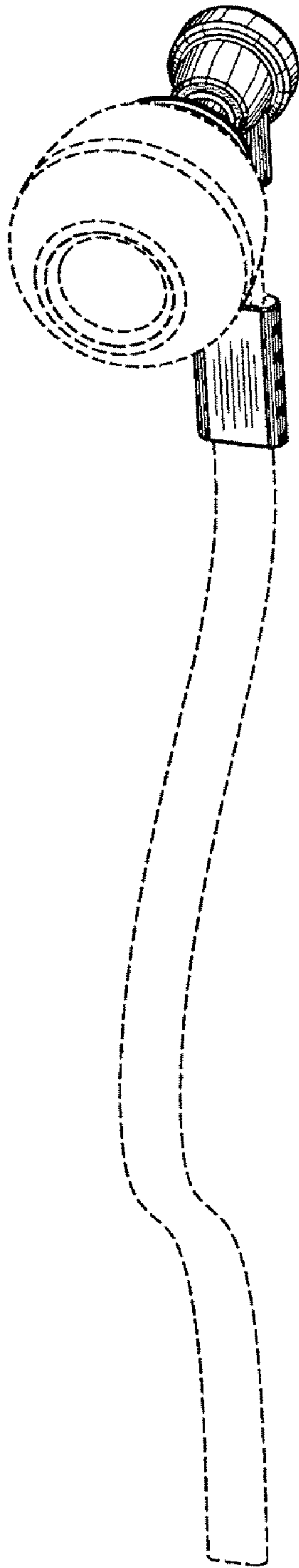


Figure 2

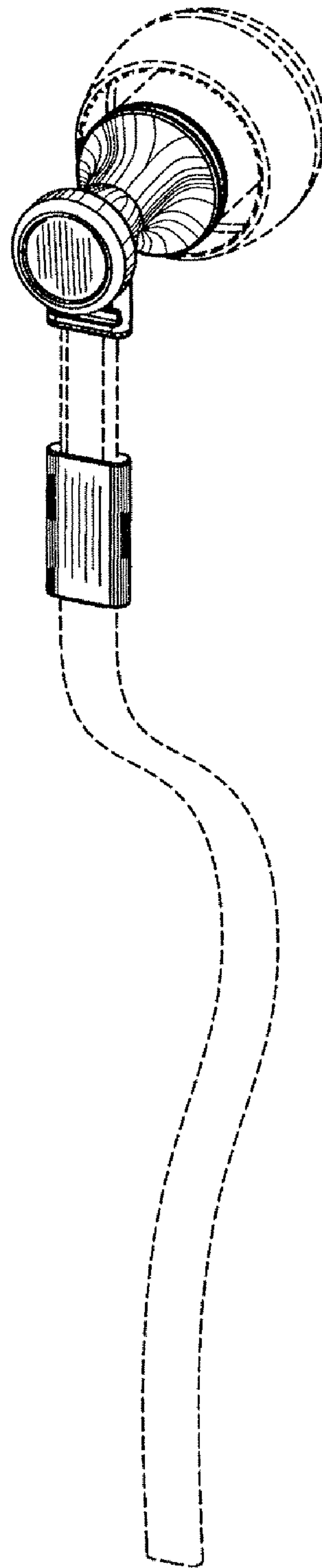


Figure 3

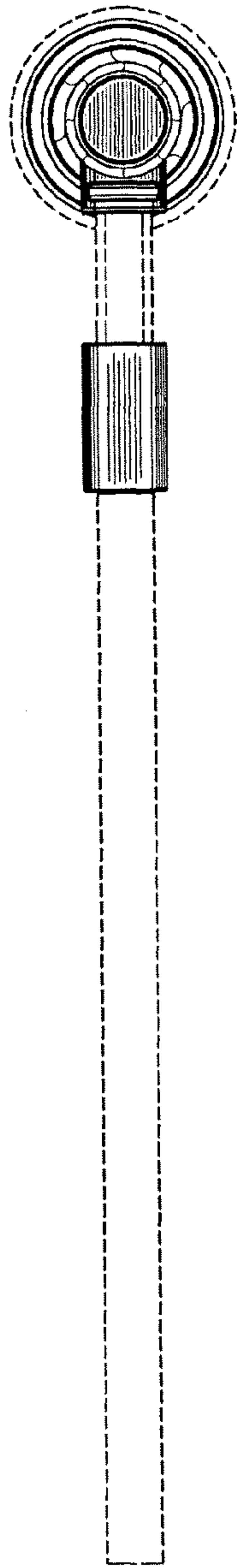


Figure 4

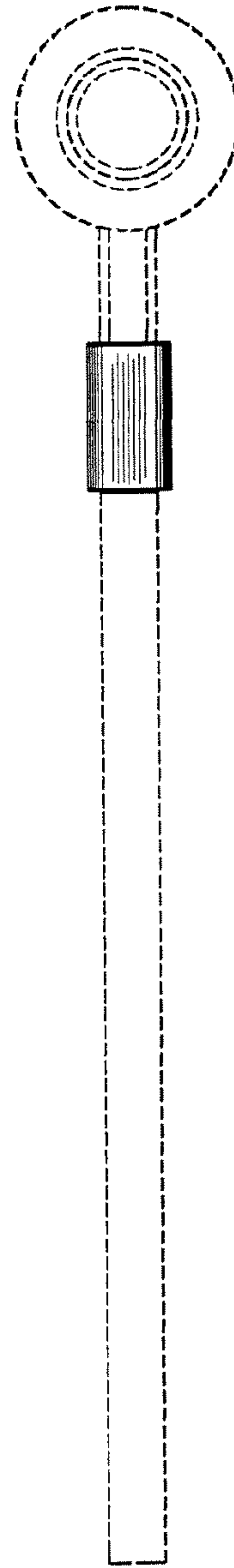


Figure 5



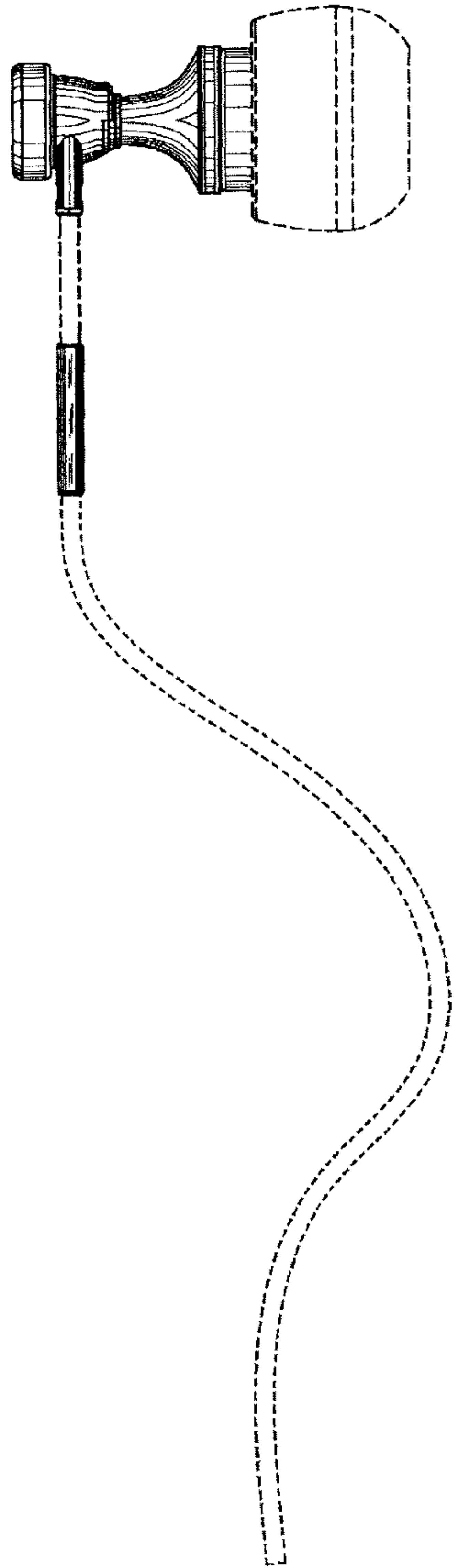


Figure 6

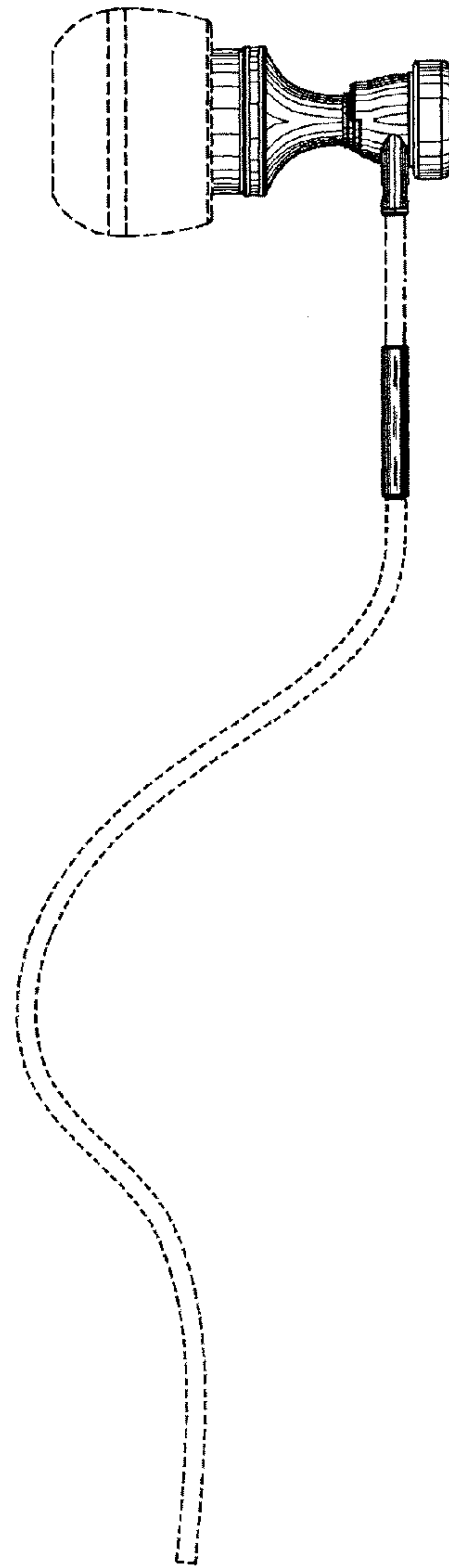


Figure 7

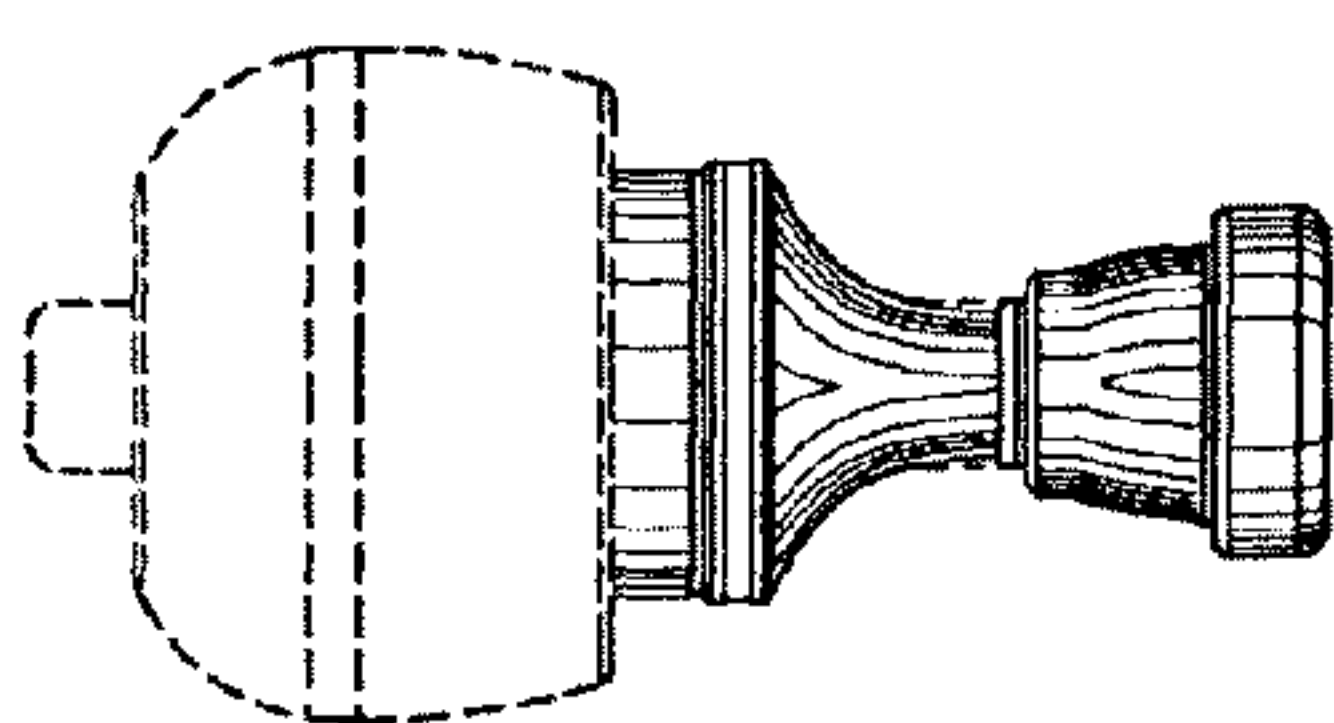


Figure 8

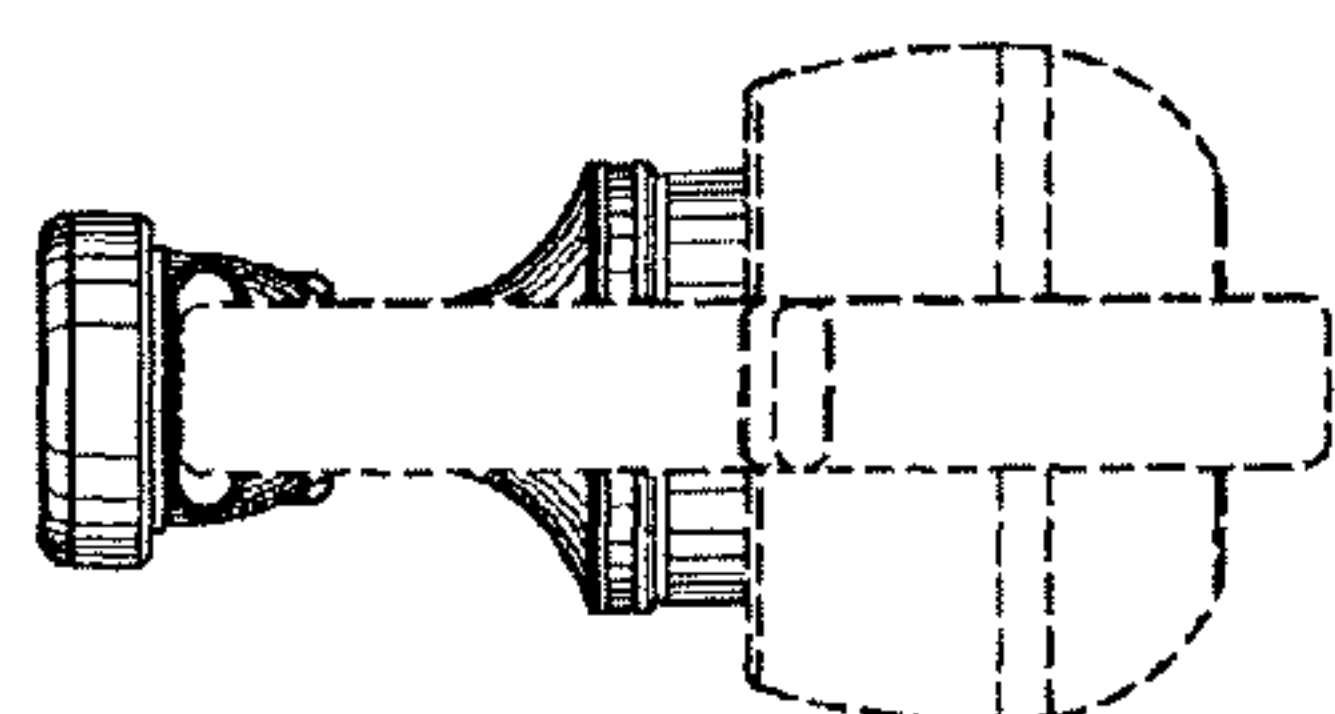


Figure 9

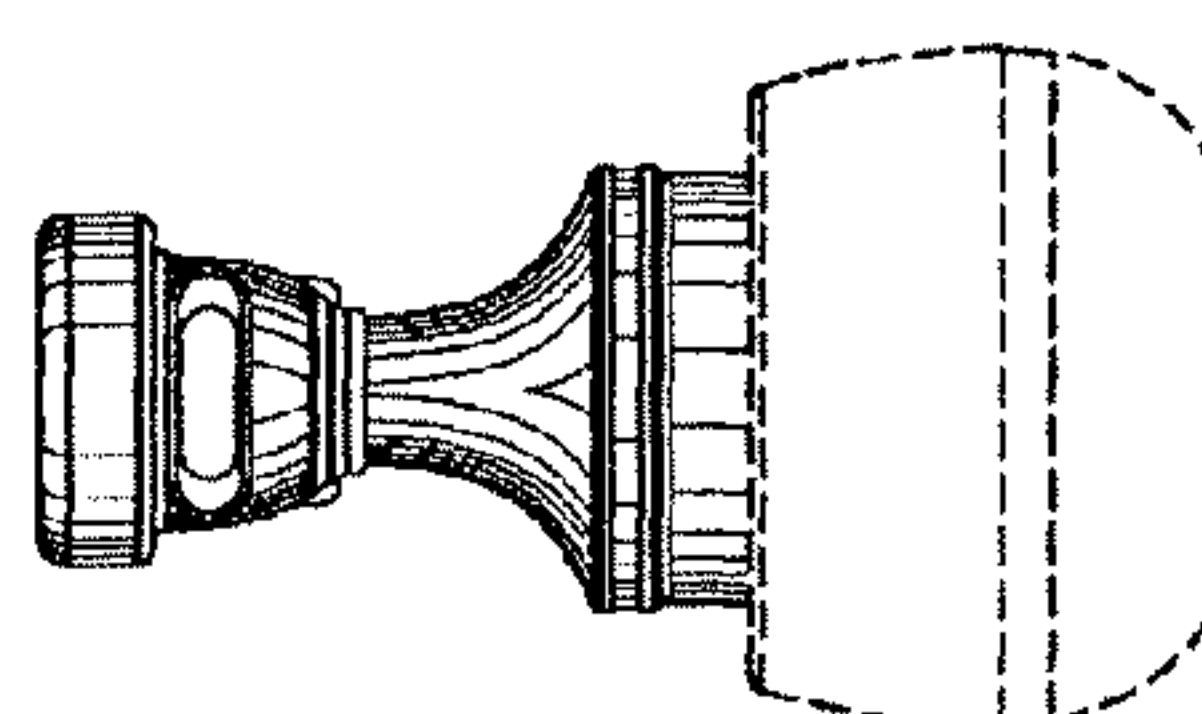


Figure 9A

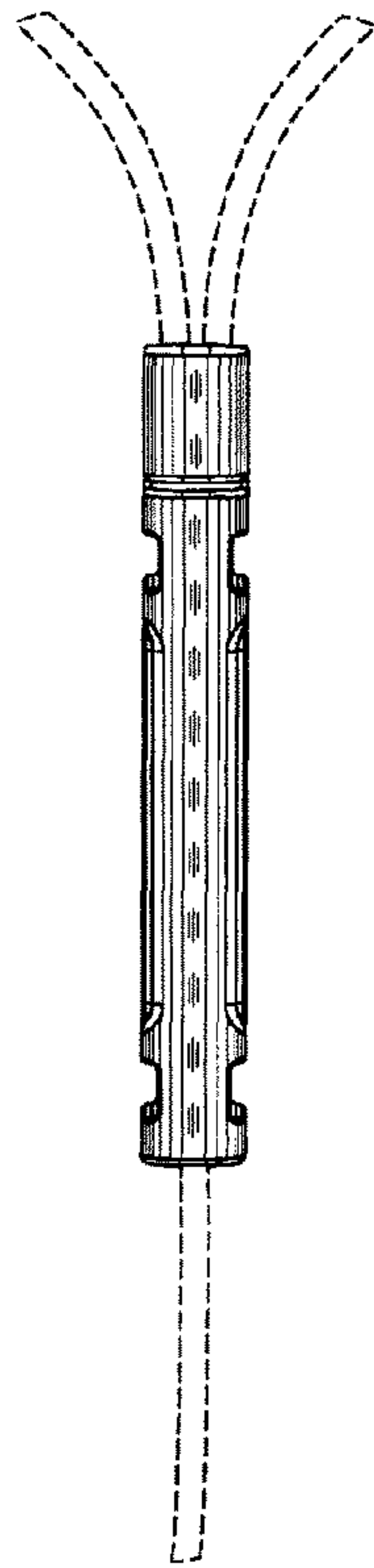


Figure 11

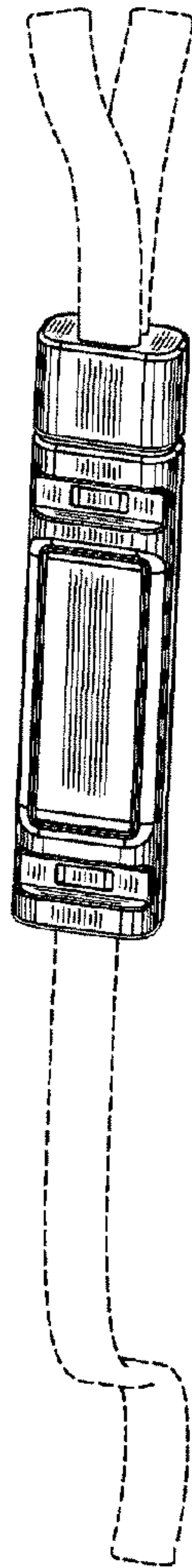


Figure 10

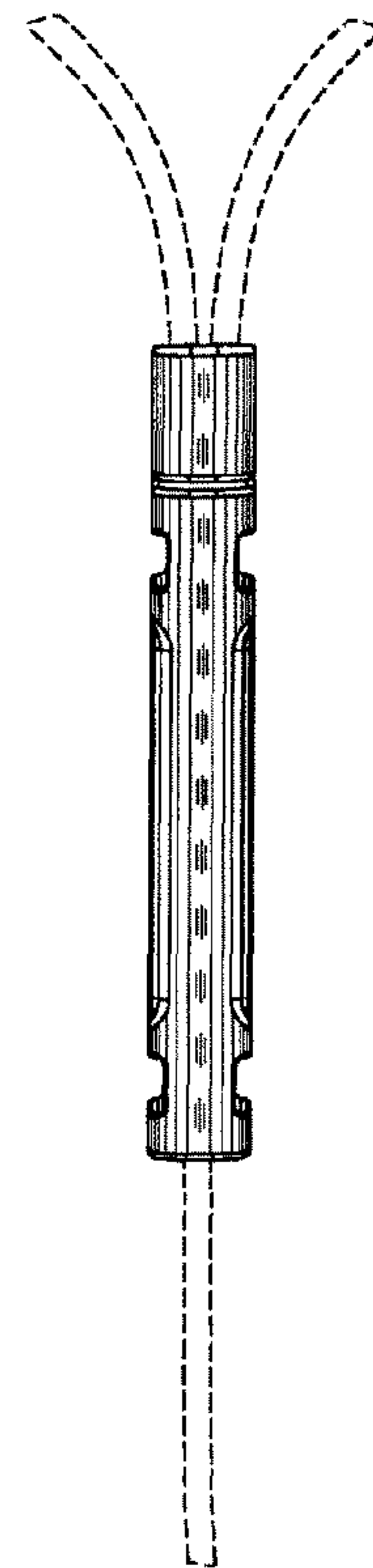


Figure 12



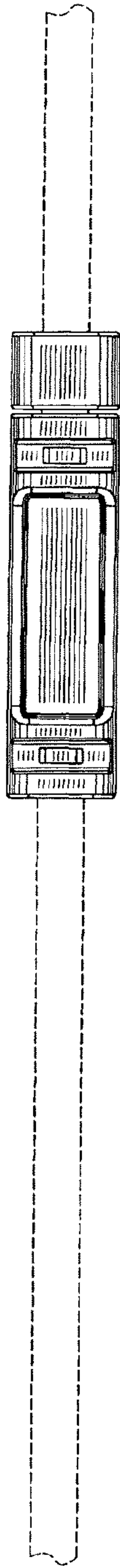


Figure 13

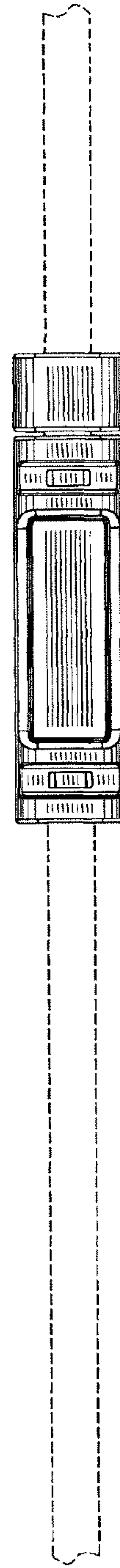


Figure 14

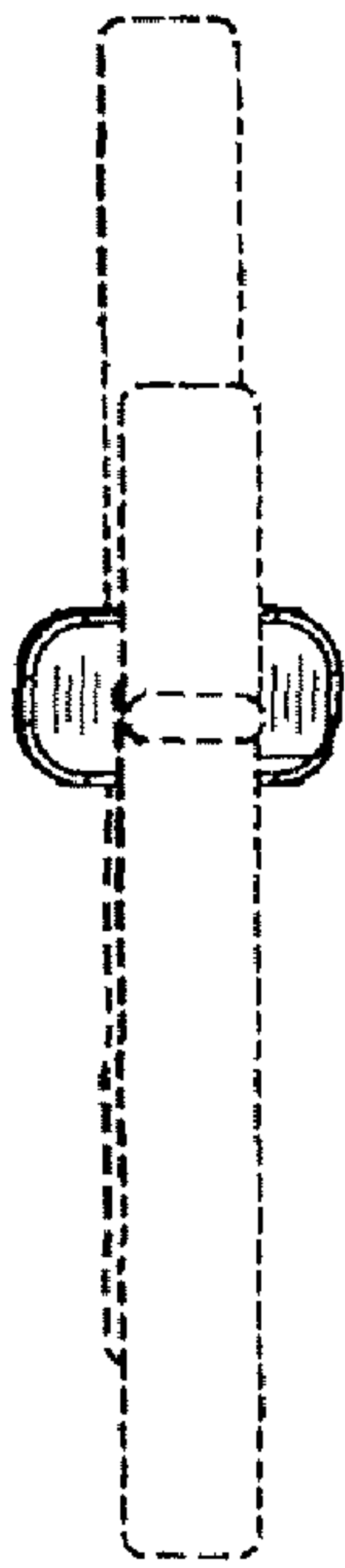


Figure 15

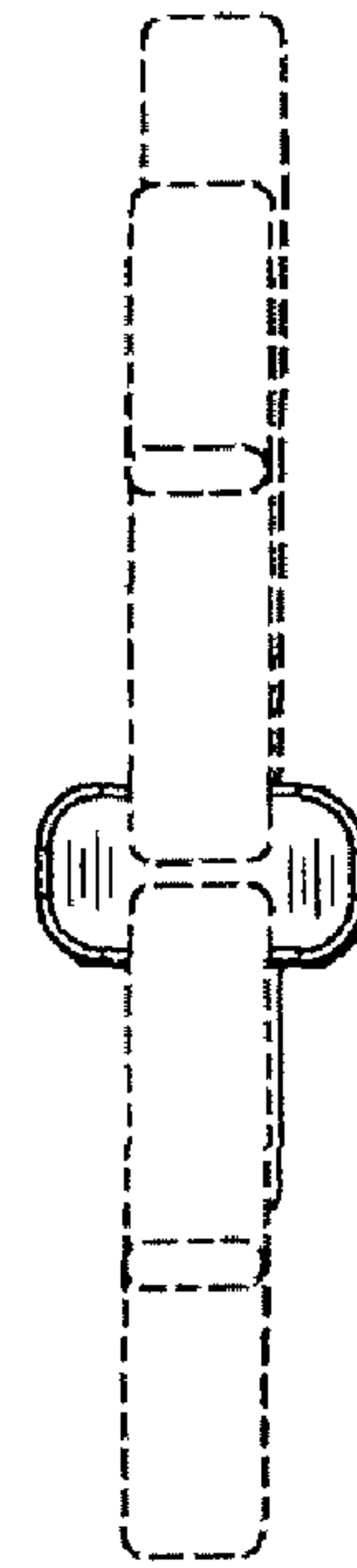


Figure 16



Figure 15A

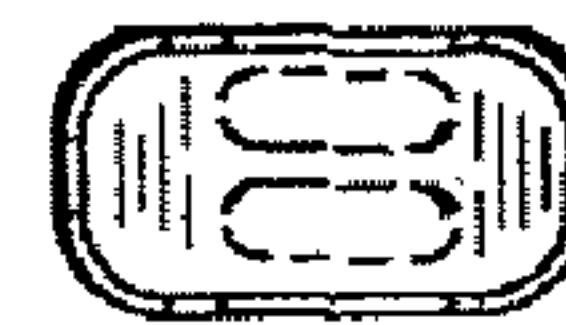


Figure 16A



Figure 17

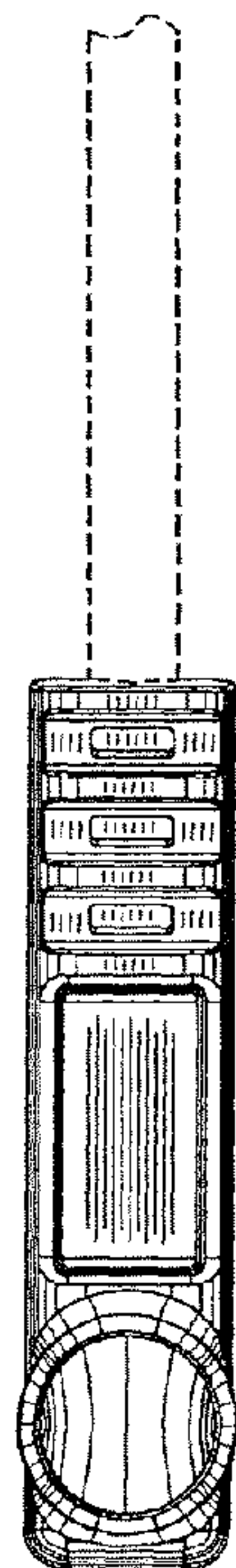


Figure 18

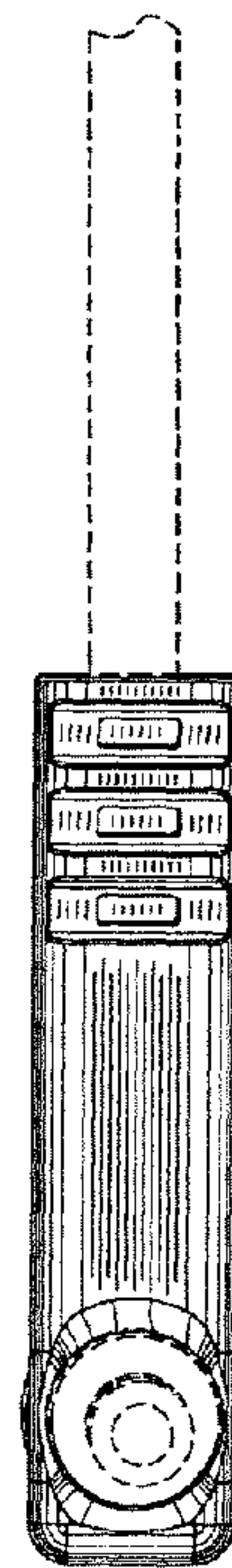


Figure 19

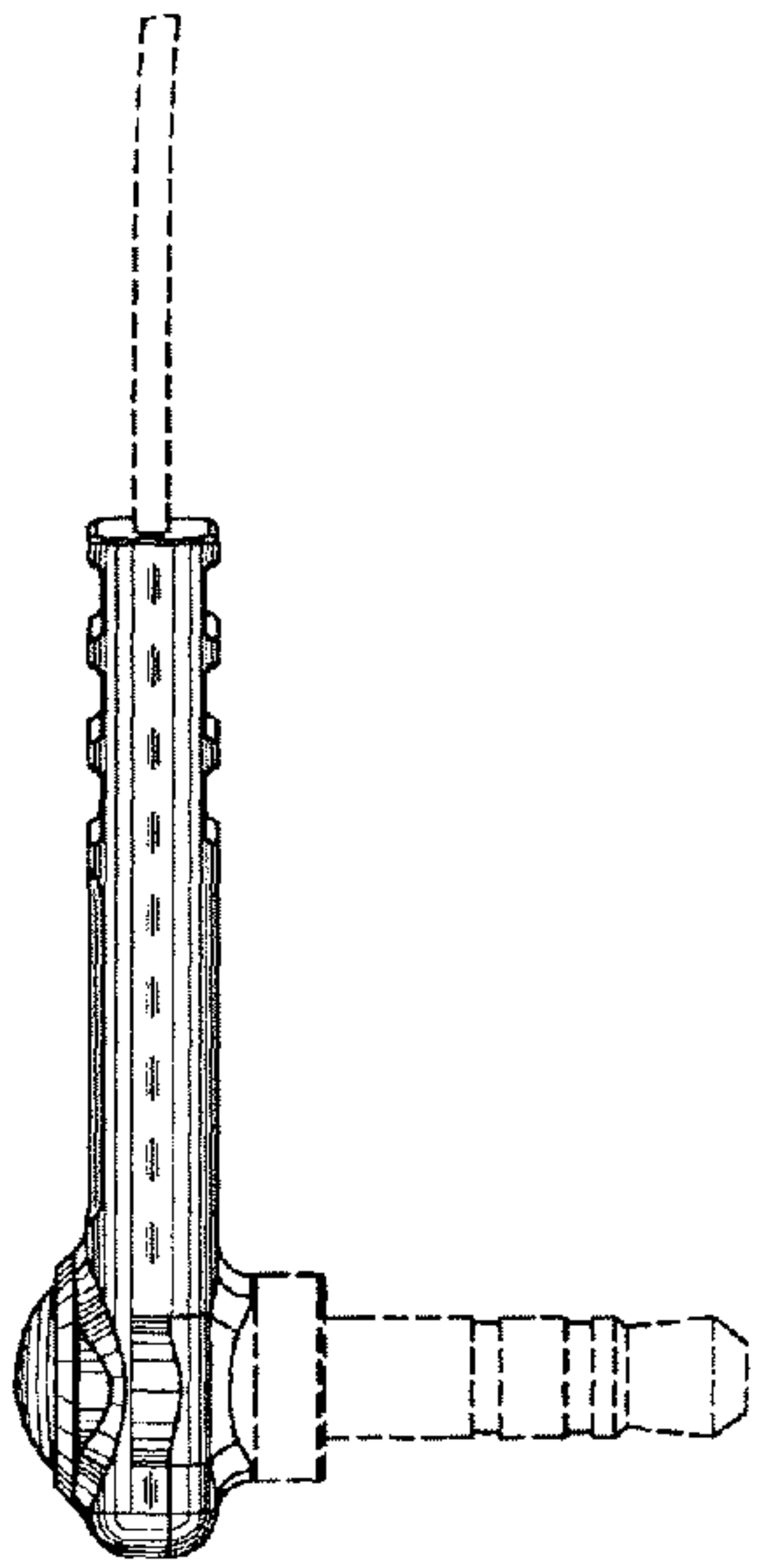


Figure 20

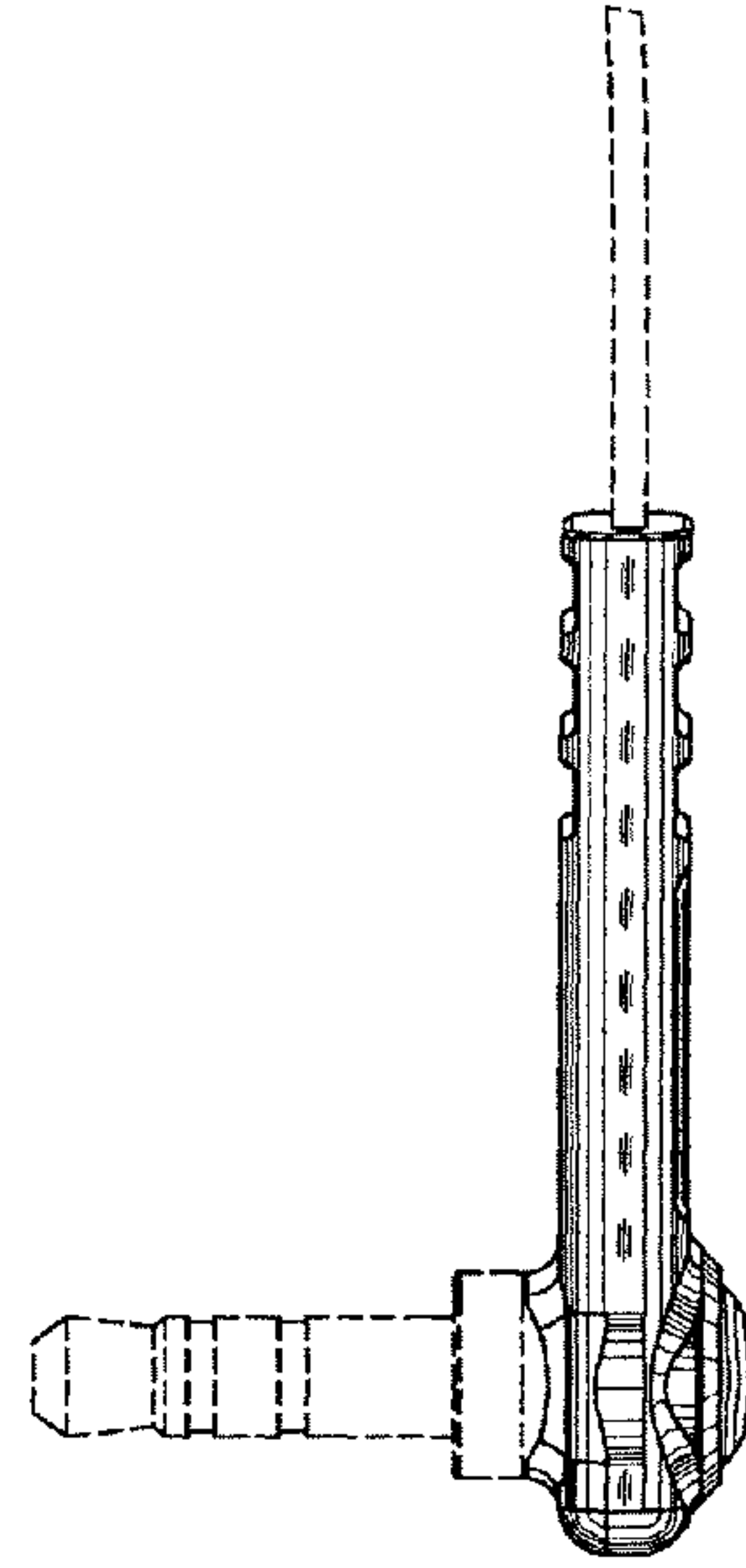


Figure 21

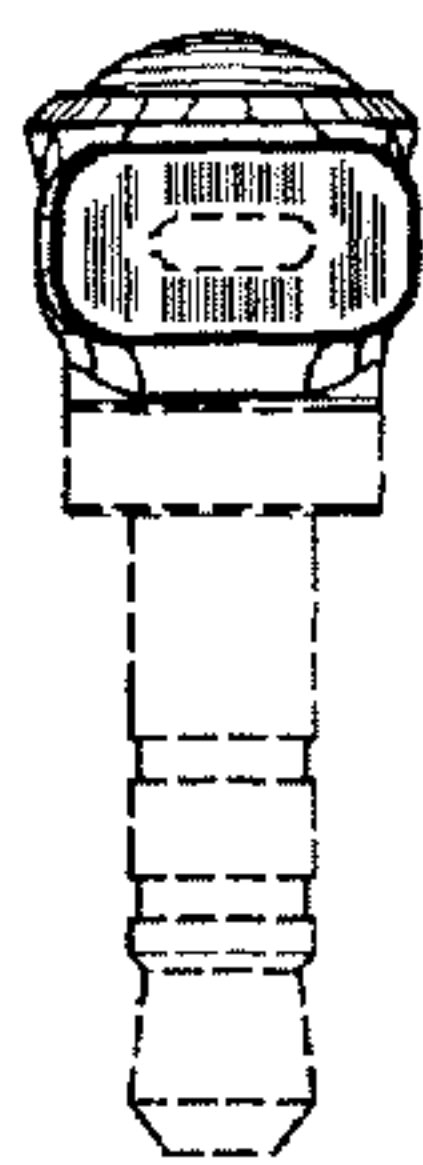


Figure 22

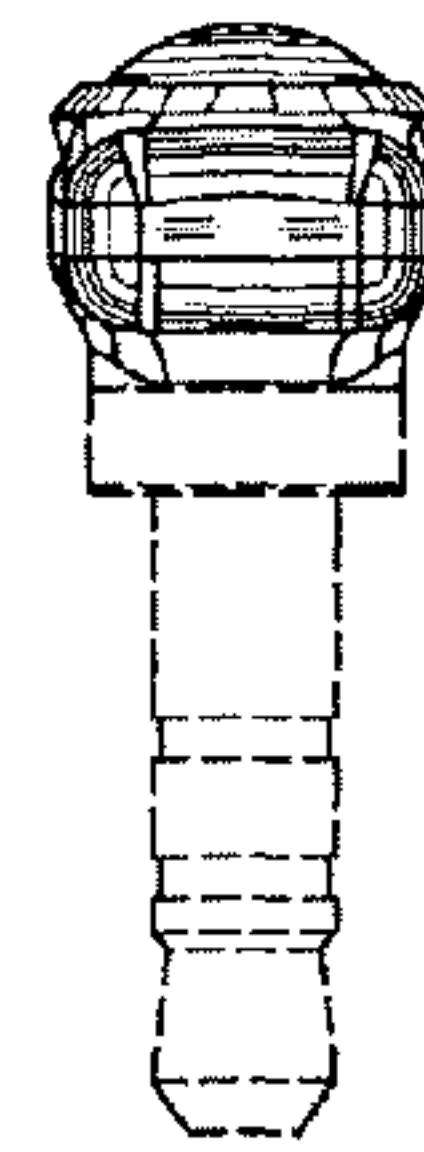


Figure 23