



US00D648314S

(12) **United States Design Patent**
Pail

(10) **Patent No.:** **US D648,314 S**

(45) **Date of Patent:** **** Nov. 8, 2011**

(54) **WATERPROOF PORTABLE AUDIO DEVICE**

(75) Inventor: **Opher Pail**, New York, NY (US)

(73) Assignee: **Fitness Technologie's, Inc.**, Hackensack, NJ (US)

(**) Term: **14 Years**

(21) Appl. No.: **29/373,372**

(22) Filed: **Mar. 31, 2011**

(51) **LOC (9) Cl.** **14-03**

(52) **U.S. Cl.** **D14/203.7; D14/203.3; D14/496**

(58) **Field of Classification Search** D14/496,
D14/401, 435, 474, 483, 217, 137, 138, 160,
D14/168, 356, 203.1-203.8, 507; 345/156,
345/169, 173-179, 905; 715/727-729, 864;
710/1, 5, 8; 713/1, 600; 455/1.1, 1.7, 73,
455/344-347, 93, 95, 3.01-3.06, 550.1, 573.1;
370/342-344; 369/1, 2, 6-12; 463/43-47;
273/148 B

See application file for complete search history.

(56) **References Cited**

U.S. PATENT DOCUMENTS

5,363,089 A * 11/1994 Goldenberg 340/7.63
5,825,408 A * 10/1998 Yuyama et al. 348/14.01

6,082,691 A * 7/2000 Moriyasu 248/274.1
6,697,117 B1 * 2/2004 Park 348/373
D551,254 S * 9/2007 Shin D14/496
D559,268 S * 1/2008 Yu et al. D14/496
D594,030 S * 6/2009 Rayn D14/496
7,626,630 B2 * 12/2009 Nishino et al. 348/333.06
D614,602 S * 4/2010 Yoo D14/203.7
D637,995 S * 5/2011 Rayn D14/203.7
D638,031 S * 5/2011 Lee et al. D14/496
D638,443 S * 5/2011 Akana et al. D14/496

* cited by examiner

Primary Examiner — Prabhakar Deshmukh

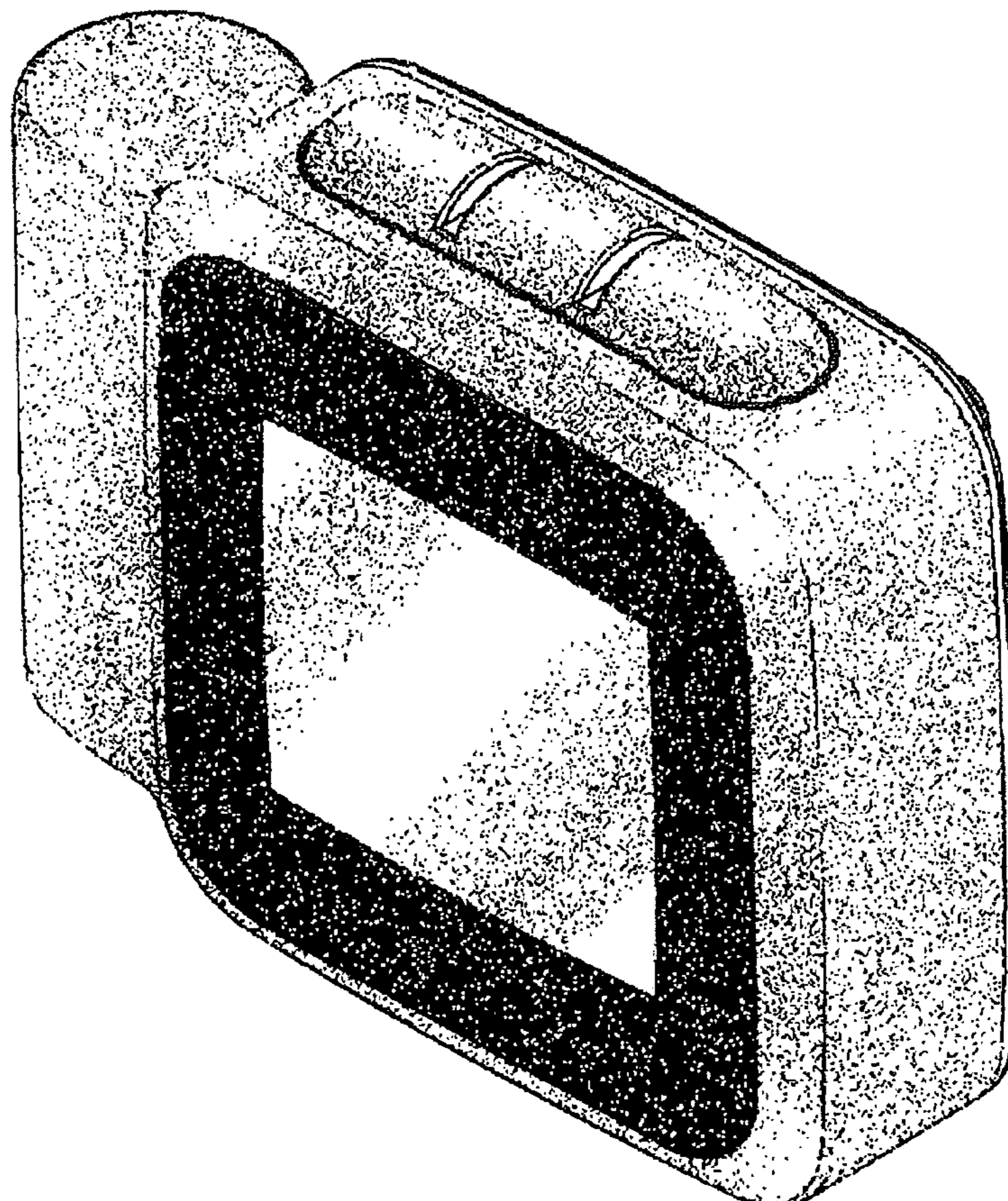
(57) **CLAIM**

The ornamental design for a waterproof portable audio device, as shown and described.

DESCRIPTION

FIG. 1 is a front perspective view of waterproof portable audio device showing my new design;
FIG. 2 is rear perspective view thereof;
FIG. 3 is a rear view thereof;
FIG. 4 a front view thereof;
FIG. 5 is a left hand side view thereof;
FIG. 6 is a right hand side view thereof;
FIG. 7 is a top view thereof; and,
FIG. 8 is a bottom view thereof.

1 Claim, 5 Drawing Sheets



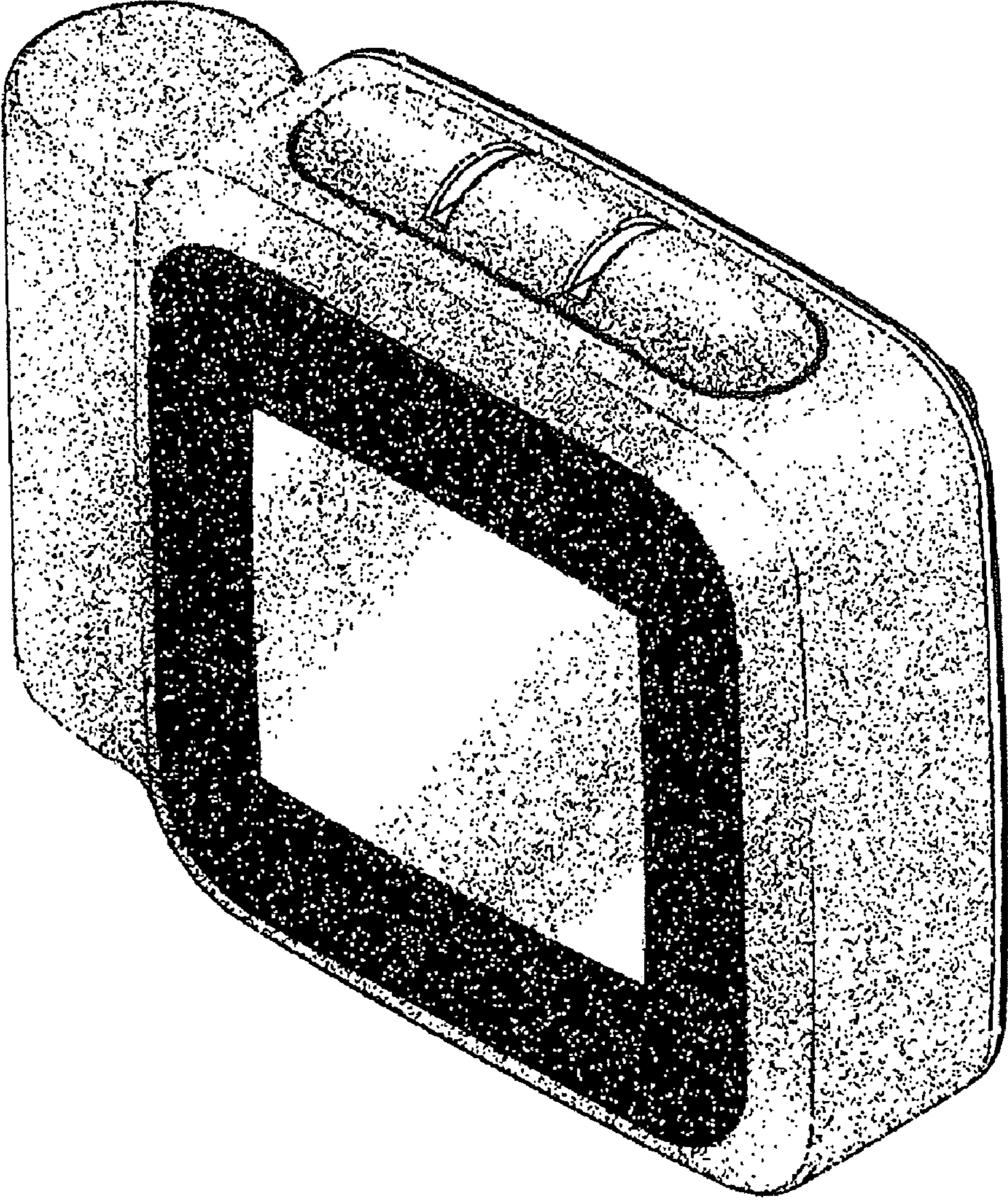


FIG. 1

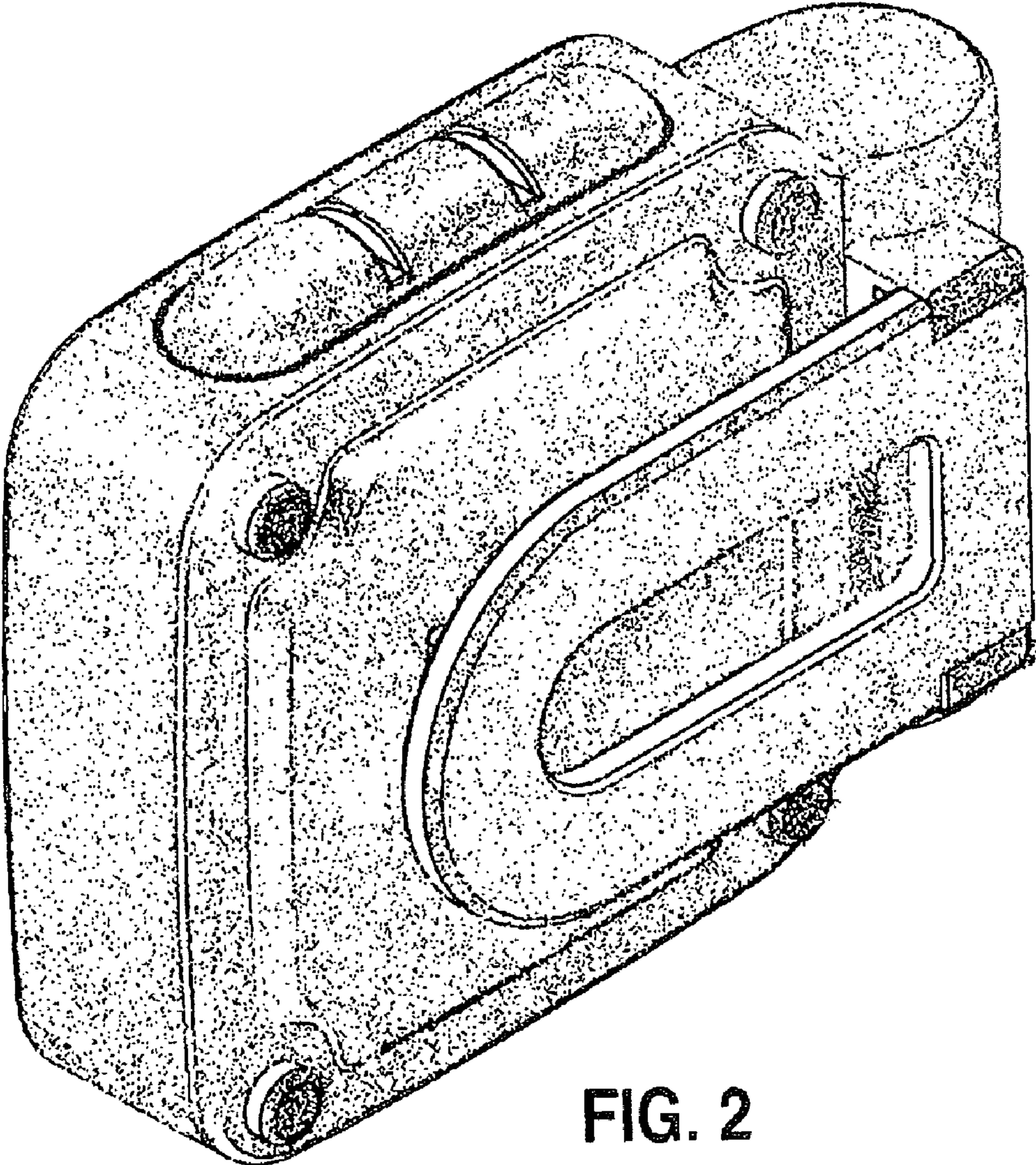


FIG. 2

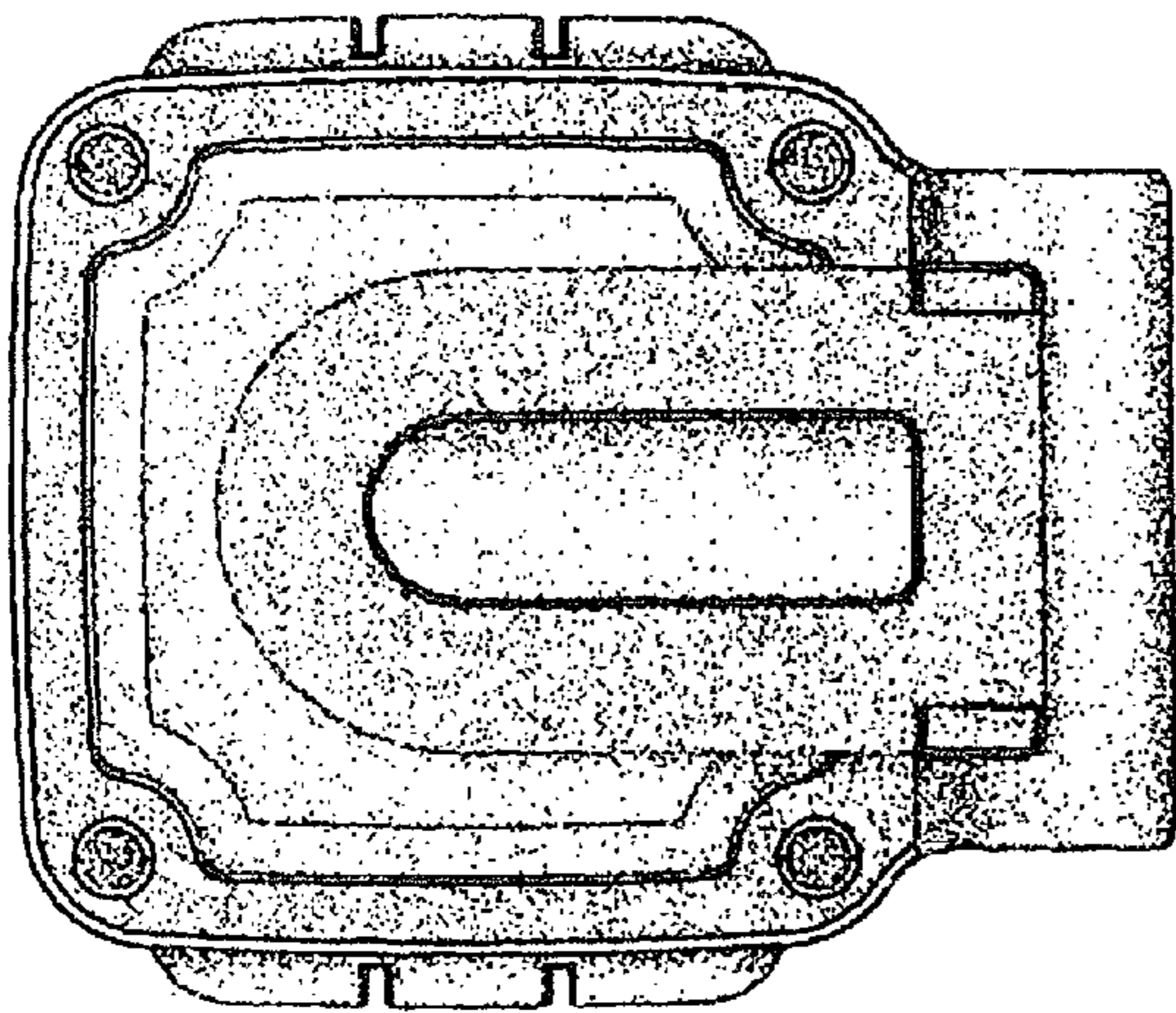


FIG. 3

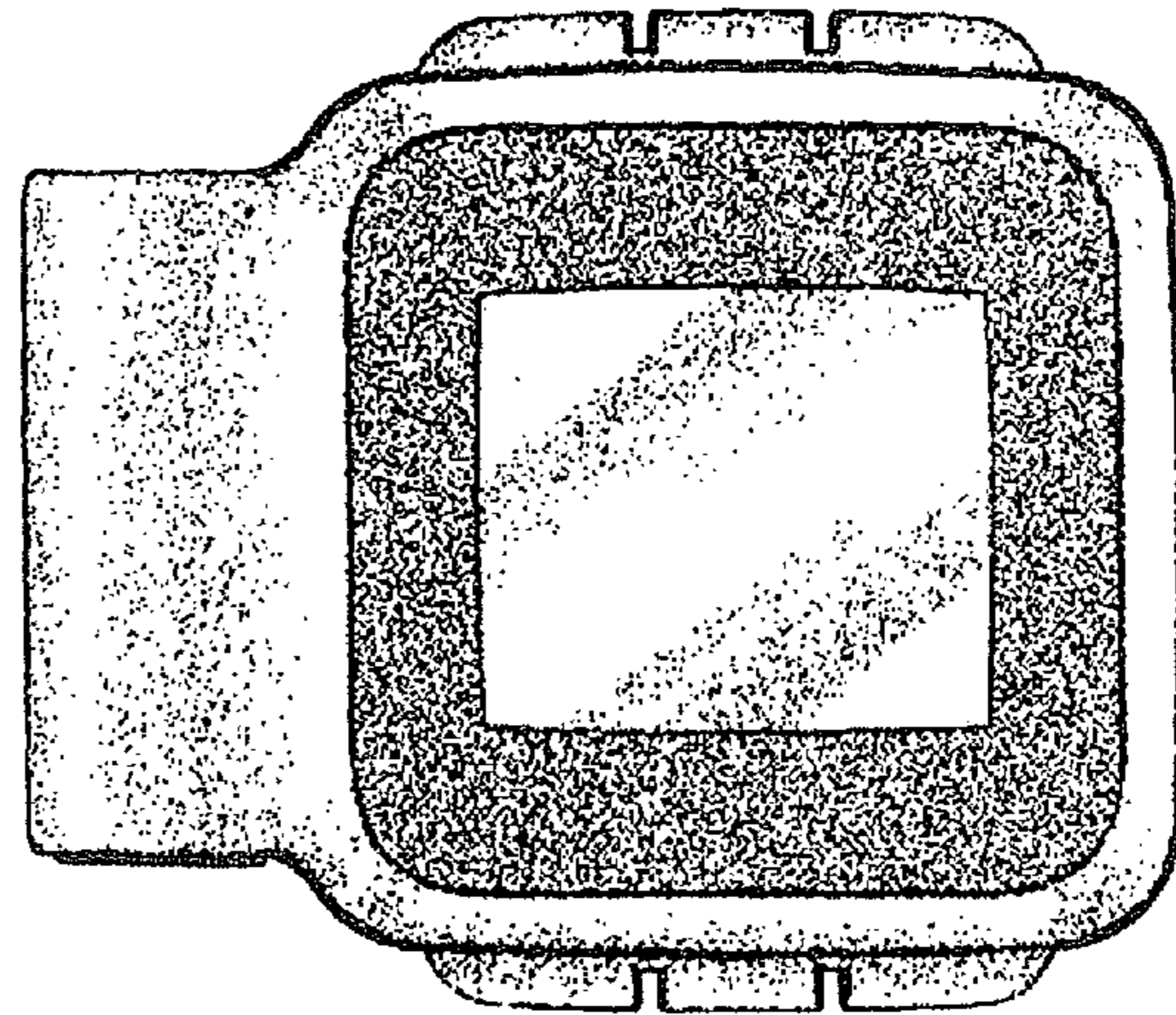


FIG. 4

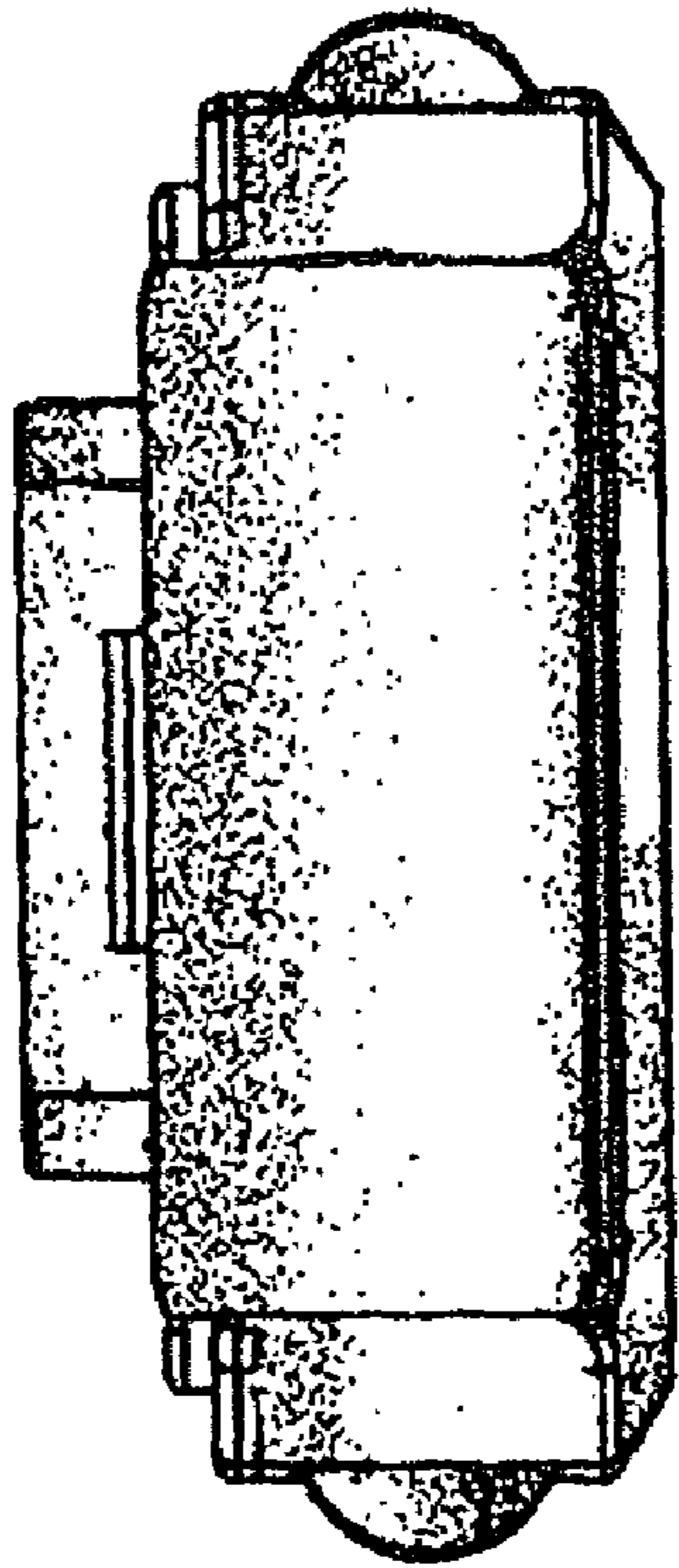


FIG. 5

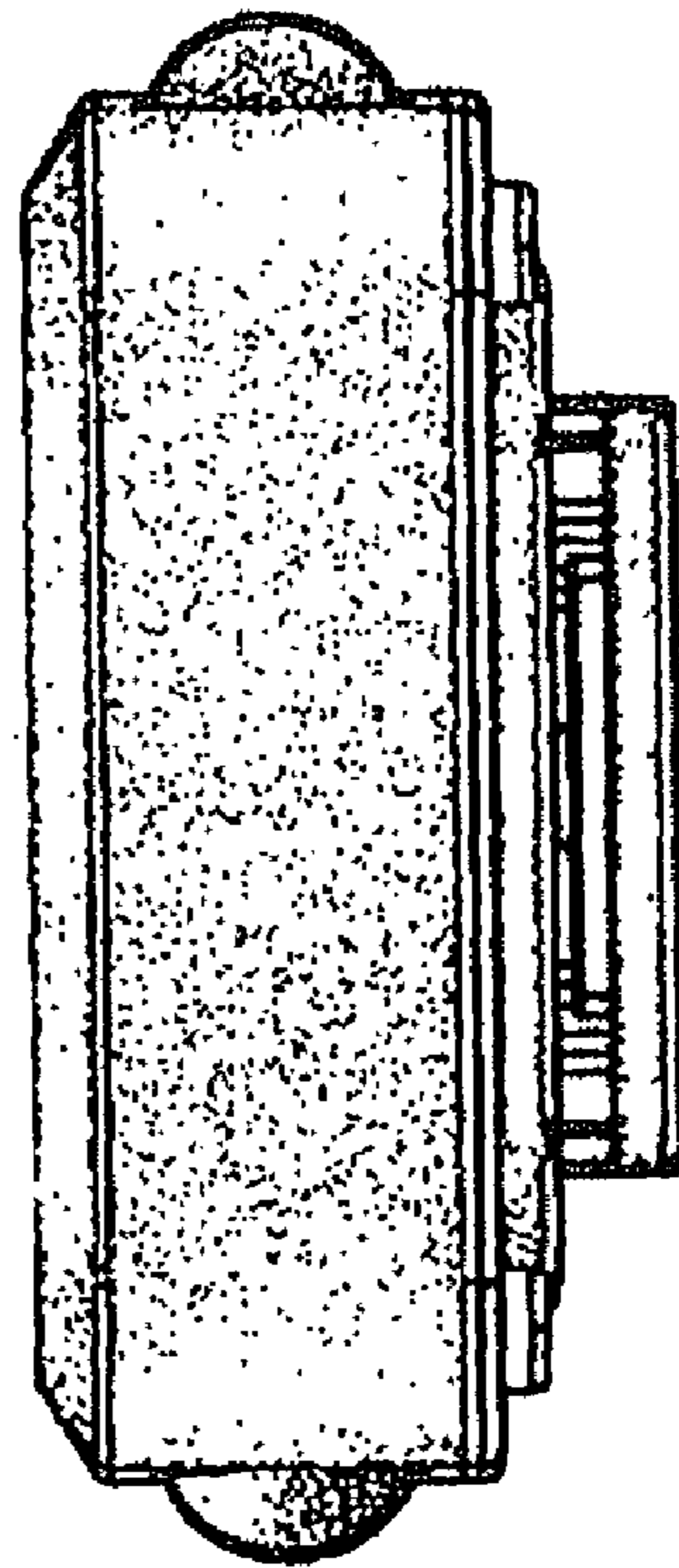


FIG. 6

FIG. 7

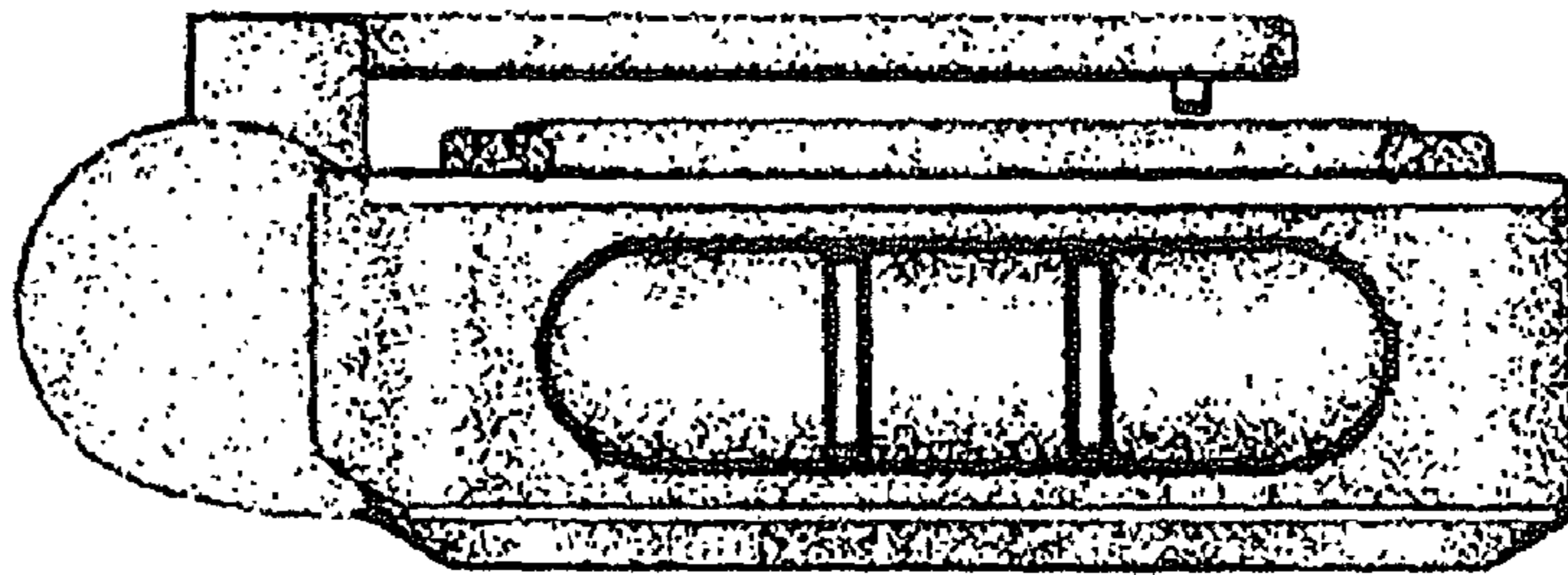


FIG. 8

