

US00D648313S

(12) **United States Design Patent**
Nardin et al.

(10) **Patent No.:** **US D648,313 S**

(45) **Date of Patent:** **** Nov. 8, 2011**

(54) **AMPLIFIER**

(75) Inventors: **Emmanuel Nardin**, Vanves (FR);
Nicolas Regentete, Paris (FR); **Fabien**
Deboves, Vanves (FR); **Axel Lehovetzki**,
Paris (FR)

(73) Assignee: **Devialet**, Paris (FR)

(**) Term: **14 Years**

(21) Appl. No.: **29/347,692**

(22) Filed: **Apr. 12, 2010**

(30) **Foreign Application Priority Data**

Apr. 2, 2010 (EM) 001690553-0001

(51) **LOC (9) Cl.** **14-03**

(52) **U.S. Cl.** **D14/188**

(58) **Field of Classification Search** D14/168,
D14/169, 179, 188, 194-198, 215, 217, 257,
D14/265, 299, 496; 330/1 R, 3, 4, 250; 381/86,
381/120; 455/344-351

See application file for complete search history.

(56) **References Cited**

U.S. PATENT DOCUMENTS

| | | | | |
|--------------|---------|------------------|-------|---------|
| D385,882 S * | 11/1997 | Frederick et al. | | D14/188 |
| D565,021 S * | 3/2008 | Wilson | | D14/188 |
| D569,840 S * | 5/2008 | Tejima | | D14/188 |
| D571,352 S * | 6/2008 | Yamamoto et al. | | D14/188 |
| D571,781 S * | 6/2008 | Yamamoto et al. | | D14/188 |
| D578,505 S * | 10/2008 | Tejima et al. | | D14/188 |
| D588,097 S * | 3/2009 | Tanaka | | D14/188 |
| D596,614 S * | 7/2009 | Wilson | | D14/188 |
| D596,615 S * | 7/2009 | Wilson | | D14/188 |

OTHER PUBLICATIONS

Ubergizmo.com, http://www.ubergizmo.com/15/archives/2010/03/luxurious_devialet_d-premier_amplifier.html, accessed Dec. 6, 2010, dated Mar. 31, 2010, 1pg.*

* cited by examiner

Primary Examiner — Stella Reid

Assistant Examiner — Keli L. Hill

(74) *Attorney, Agent, or Firm* — Wenderoth, Lind & Ponack, L.L.P.

(57) **CLAIM**

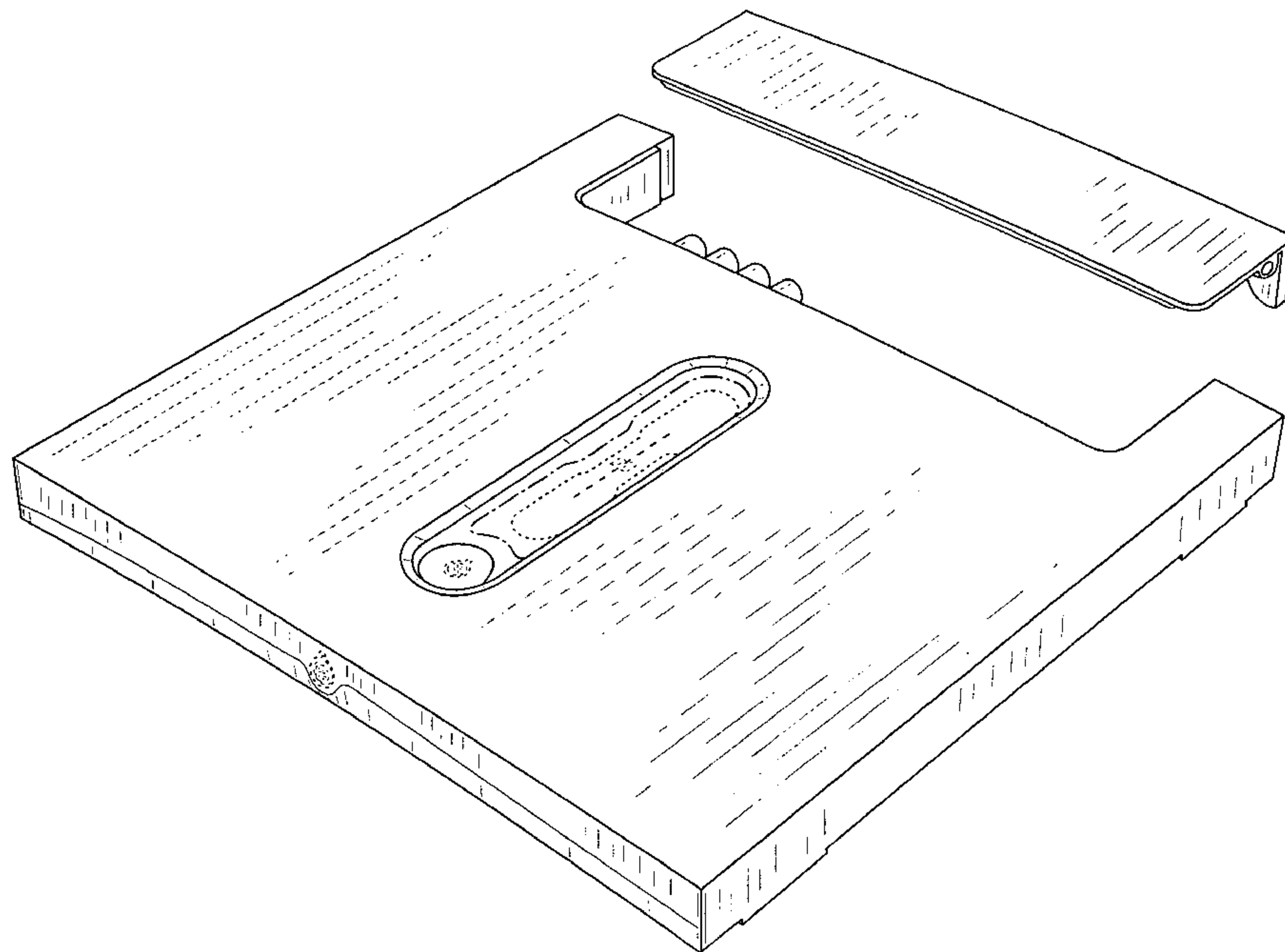
The ornamental design for an amplifier, as shown and described.

DESCRIPTION

FIG. 1 is a front view of an amplifier;
FIG. 2 is a rear view thereof;
FIG. 3 is a top view thereof;
FIG. 4 is a bottom view thereof;
FIG. 5 is a perspective view thereof in a horizontal position (amplifier closed);
FIG. 6 is a perspective view thereof in a horizontal position (amplifier open); and,
FIG. 7 is a perspective view thereof in a vertical position (amplifier closed).

The partially broken lines represent the bounds of the claimed design while all other broken lines are included for the purpose of illustrating the unclaimed portions of the article; the broken lines form no part of the claimed design.

1 Claim, 6 Drawing Sheets



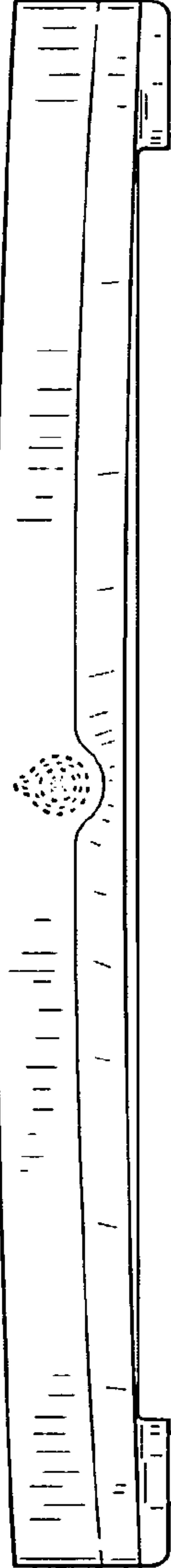


FIG. 1

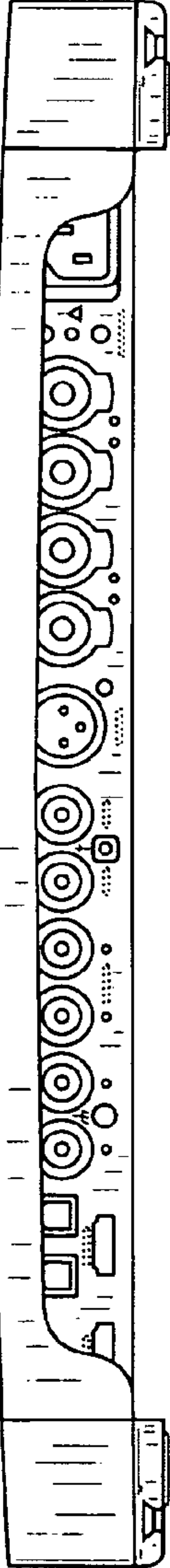


FIG. 2

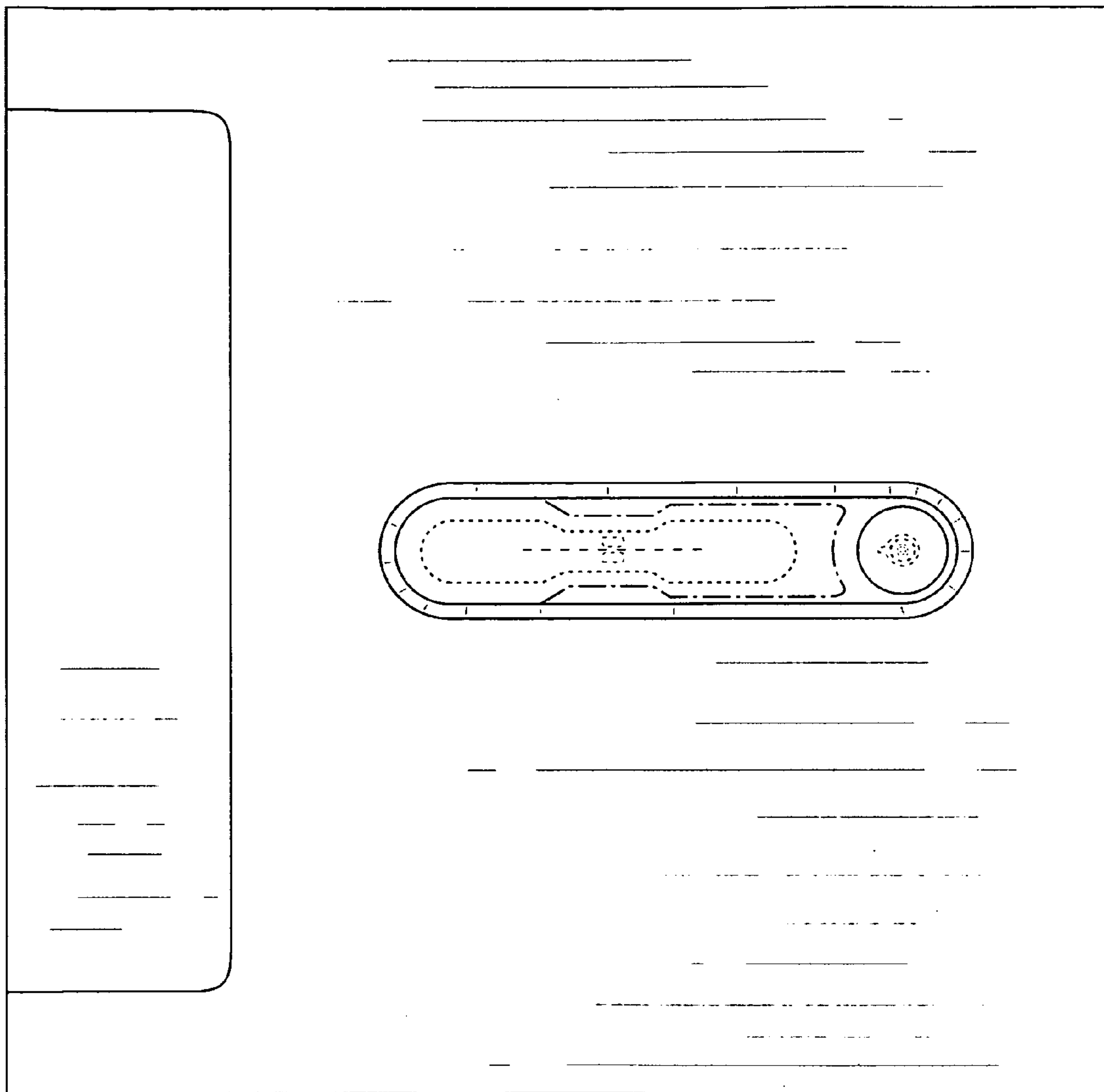


FIG. 3

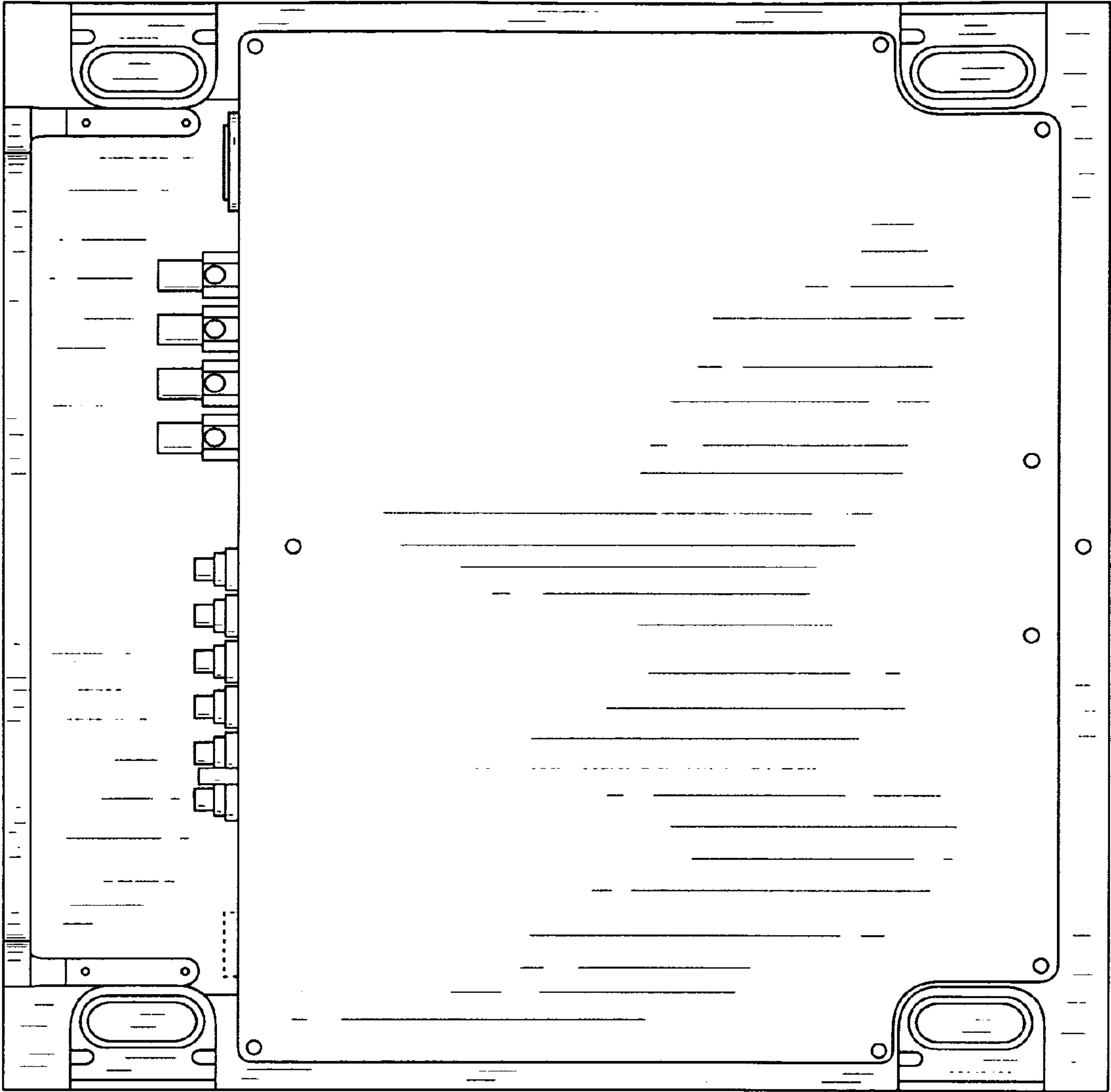


FIG. 4

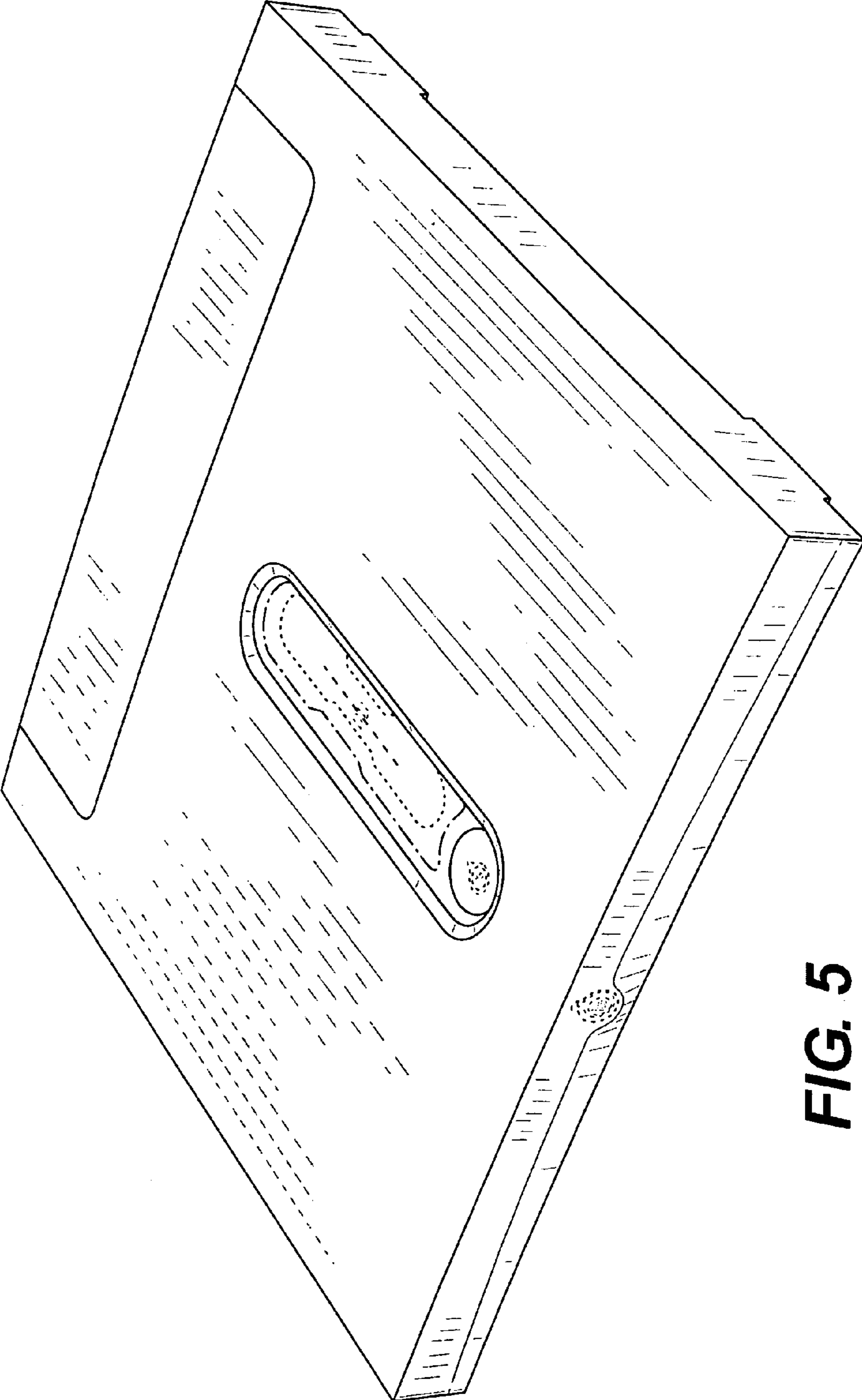


FIG. 5

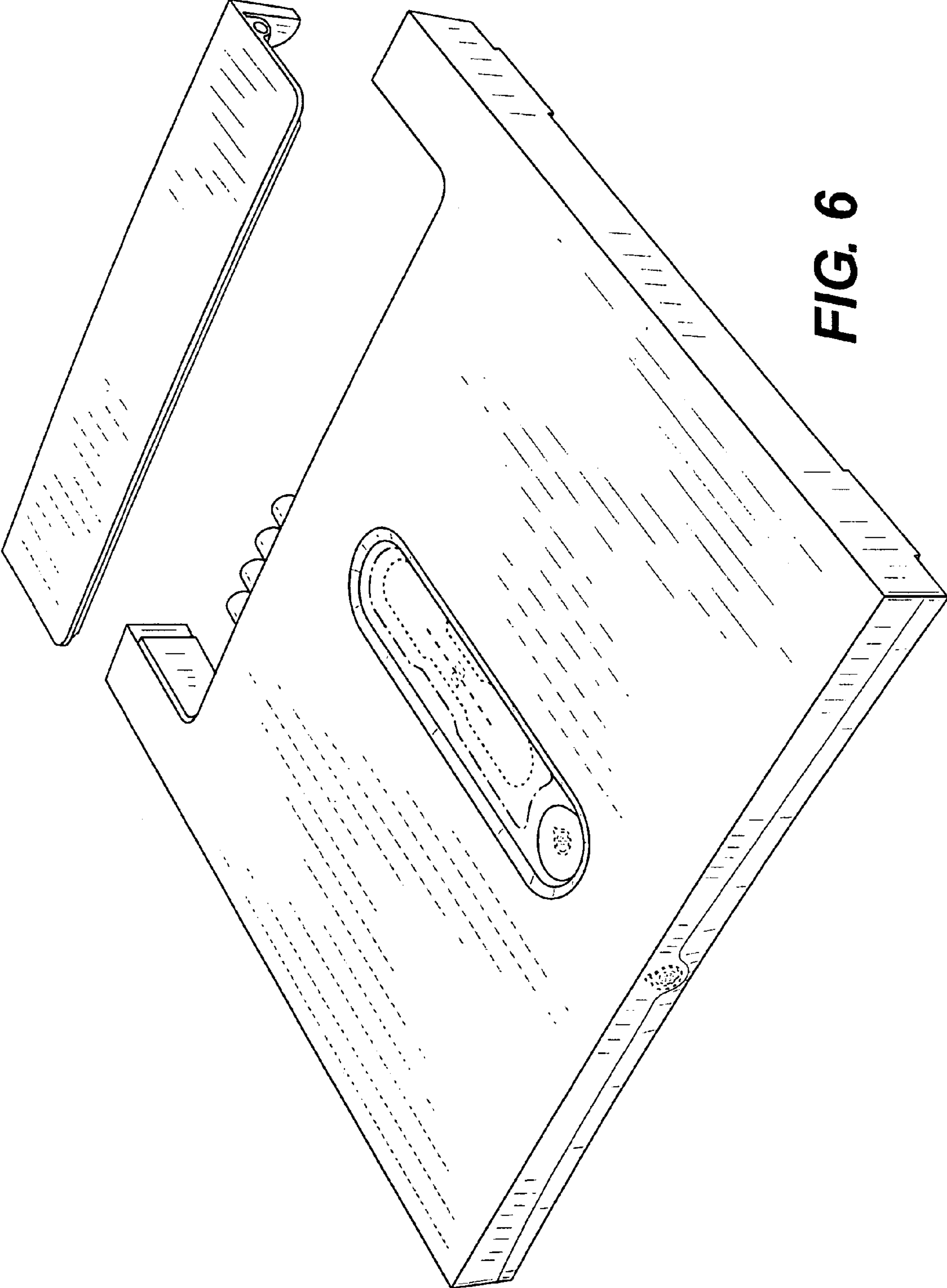


FIG. 6

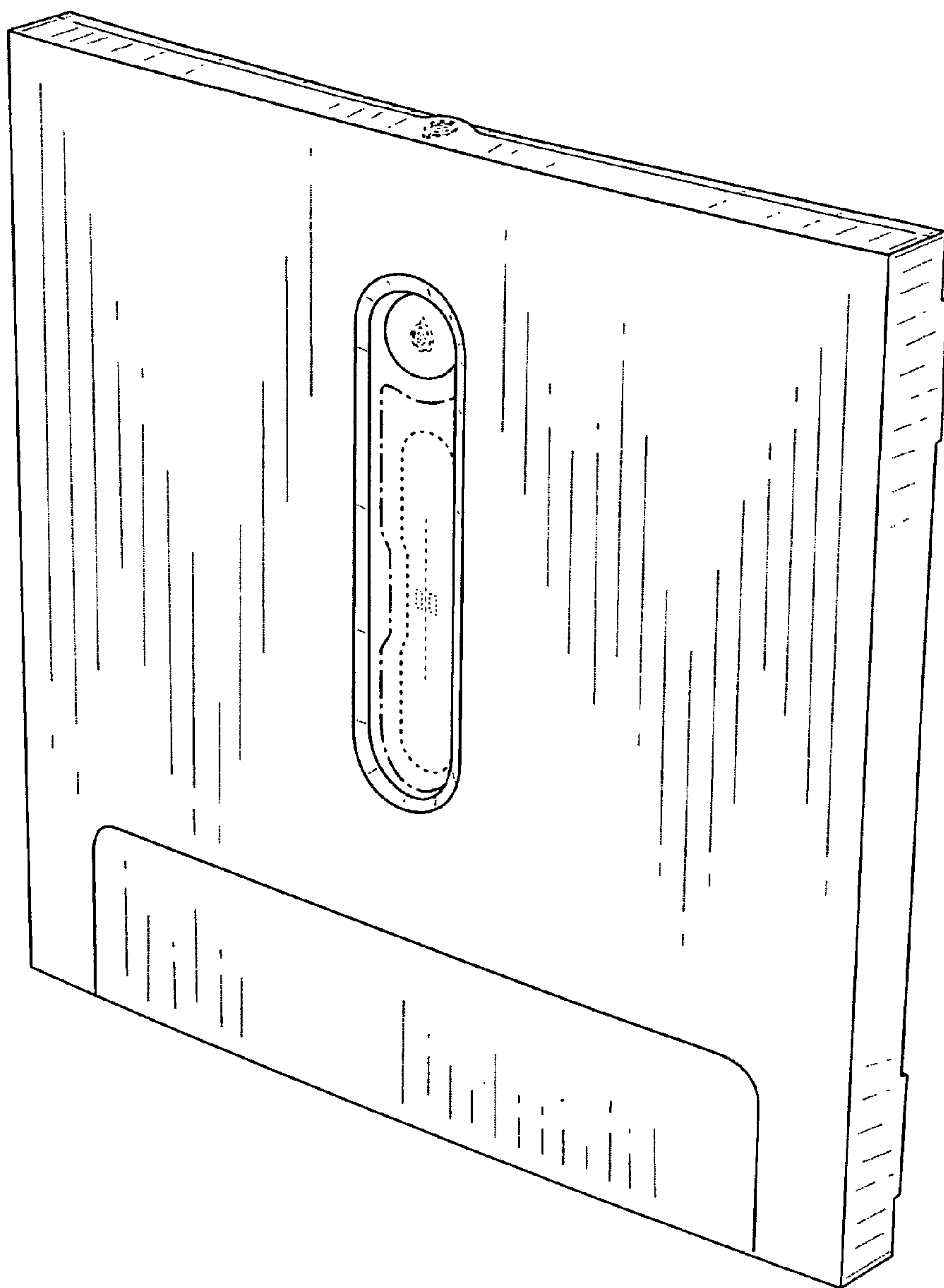


FIG. 7