



US00D648306S

(12) **United States Design Patent**
Koh

(10) **Patent No.:** **US D648,306 S**

(45) **Date of Patent:** **** Nov. 8, 2011**

(54) **MOBILE PHONE**

(75) Inventor: **Min-Ah Koh**, Seoul (KR)

(73) Assignee: **Samsung Electronics Co., Ltd.**,
Suwon-Si (KR)

(**) Term: **14 Years**

(21) Appl. No.: **29/386,459**

(22) Filed: **Mar. 1, 2011**

(30) **Foreign Application Priority Data**

Dec. 20, 2010 (KR) 30-2010-0055045

(51) **LOC (9) Cl.** **14-03**

(52) **U.S. Cl.** **D14/138 AB**

(58) **Field of Classification Search** D14/138 AB,
D14/138 AA, 496, 341, 345, 346, 203.3,
D14/203.4, 203.7, 138 AD, 138 R, 147, 218,
D14/137; 455/575.1, 556.2, 575.3, 575.4;
D21/517; 379/433.01, 433.04, 433.11, 433.12,
379/433.13

See application file for complete search history.

(56) **References Cited**

U.S. PATENT DOCUMENTS

D563,365 S *	3/2008	Kim	D14/138 AB
D571,771 S *	6/2008	Kim et al.	D14/138 AB
D571,773 S *	6/2008	Kim et al.	D14/138 AB
D580,402 S *	11/2008	Lee et al.	D14/138 AB
D580,901 S *	11/2008	Su et al.	D14/138 AB
D582,381 S *	12/2008	Hong et al.	D14/138 AB
D582,879 S *	12/2008	Chung et al.	D14/138 AB
D583,784 S *	12/2008	Cha et al.	D14/138 AB
D589,024 S *	3/2009	Yoo	D14/138 AB
D598,000 S *	8/2009	Kim et al.	D14/138 AB
D598,411 S *	8/2009	Chun	D14/138 AB
D601,996 S *	10/2009	Jeoung et al.	D14/138 AB
D601,997 S *	10/2009	Kim et al.	D14/138 AB
D603,825 S *	11/2009	Jeoung et al.	D14/138 AB

D604,264 S *	11/2009	Ham	D14/138 AB
D615,065 S *	5/2010	Kim et al.	D14/138 AB
D615,518 S *	5/2010	Ryu	D14/138 AB
D630,177 S *	1/2011	Park et al.	D14/138 AB
D630,178 S *	1/2011	Lee et al.	D14/138 AB
D635,116 S *	3/2011	Lee et al.	D14/138 AB
D635,539 S *	4/2011	Suk et al.	D14/138 AB
D635,542 S *	4/2011	Park et al.	D14/138 AB

OTHER PUBLICATIONS

Samsung E1190 telephone, announced Jul. 2011, [online], [site visited Aug. 10, 2011]. Available from Internet, <URL: <http://www.gsmarena.com>>.*

Samsung C414 telephone, announced Jun. 2011, [online], [site visited Aug. 10, 2011]. Available from Internet, <URL: <http://www.gsmarena.com>>.*

Alcatel OT-V570 telephone, announced 2008, [online], [site visited Aug. 10, 2011]. Available from Internet, <URL: <http://www.gsmarena.com>>.*

(Continued)

Primary Examiner — Jeffrey D Asch

(74) *Attorney, Agent, or Firm* — Staas & Halsey LLP

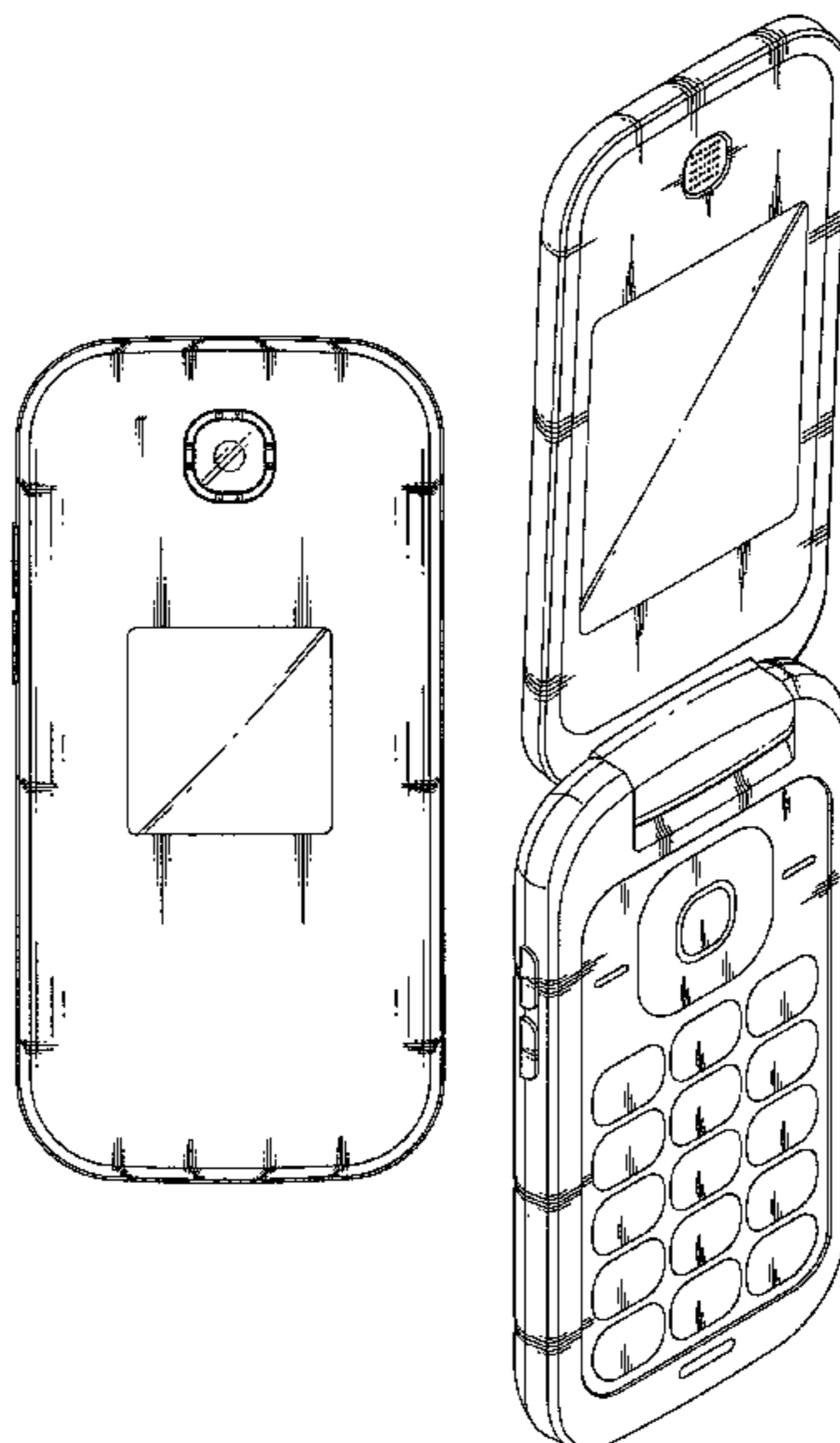
(57) **CLAIM**

The ornamental design for a mobile phone, as shown and described.

DESCRIPTION

FIG. 1 is a front perspective view of a mobile phone; FIG. 2 is a front view of the mobile phone of FIG. 1; FIG. 3 is a rear view of the mobile phone of FIG. 1; FIG. 4 is a left-side view of the mobile phone of FIG. 1; FIG. 5 is a right-side view of the mobile phone of FIG. 1; FIG. 6 is a top plan view of the mobile phone of FIG. 1; FIG. 7 is a bottom plan view of the mobile phone of FIG. 1; and, FIG. 8 is an open front perspective view of the mobile phone of FIG. 1.

1 Claim, 8 Drawing Sheets



OTHER PUBLICATIONS

Pantech Breeze III telephone, announced Jul. 2011, [online], [site visited Aug. 10, 2011]. Available from Internet, <URL: <http://www.gsmarena.com>>.*

LG MG295 telephone, announced Jan. 2008, [online], [site visited Aug. 10, 2011]. Available from Internet, <URL: <http://www.gsmarena.com>>.*

* cited by examiner

FIG. 1

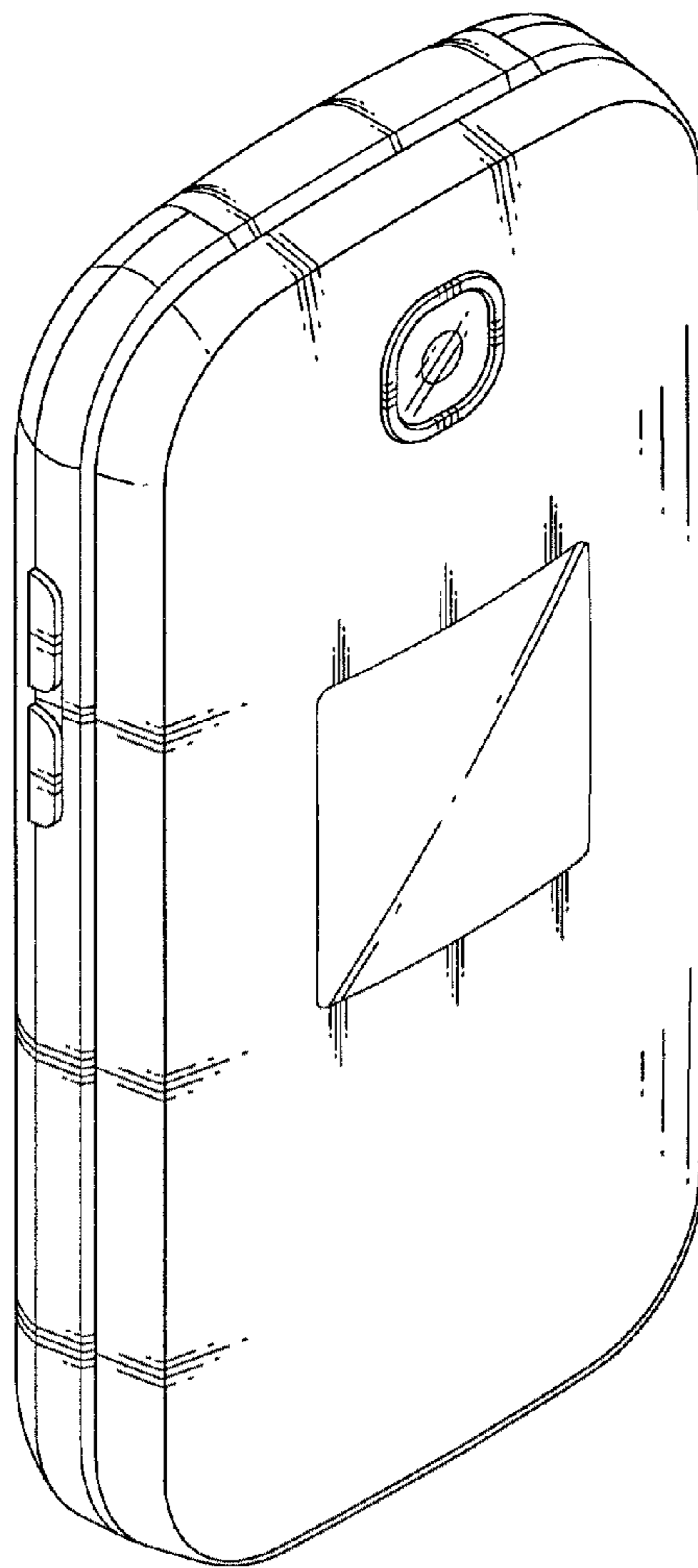


FIG. 2

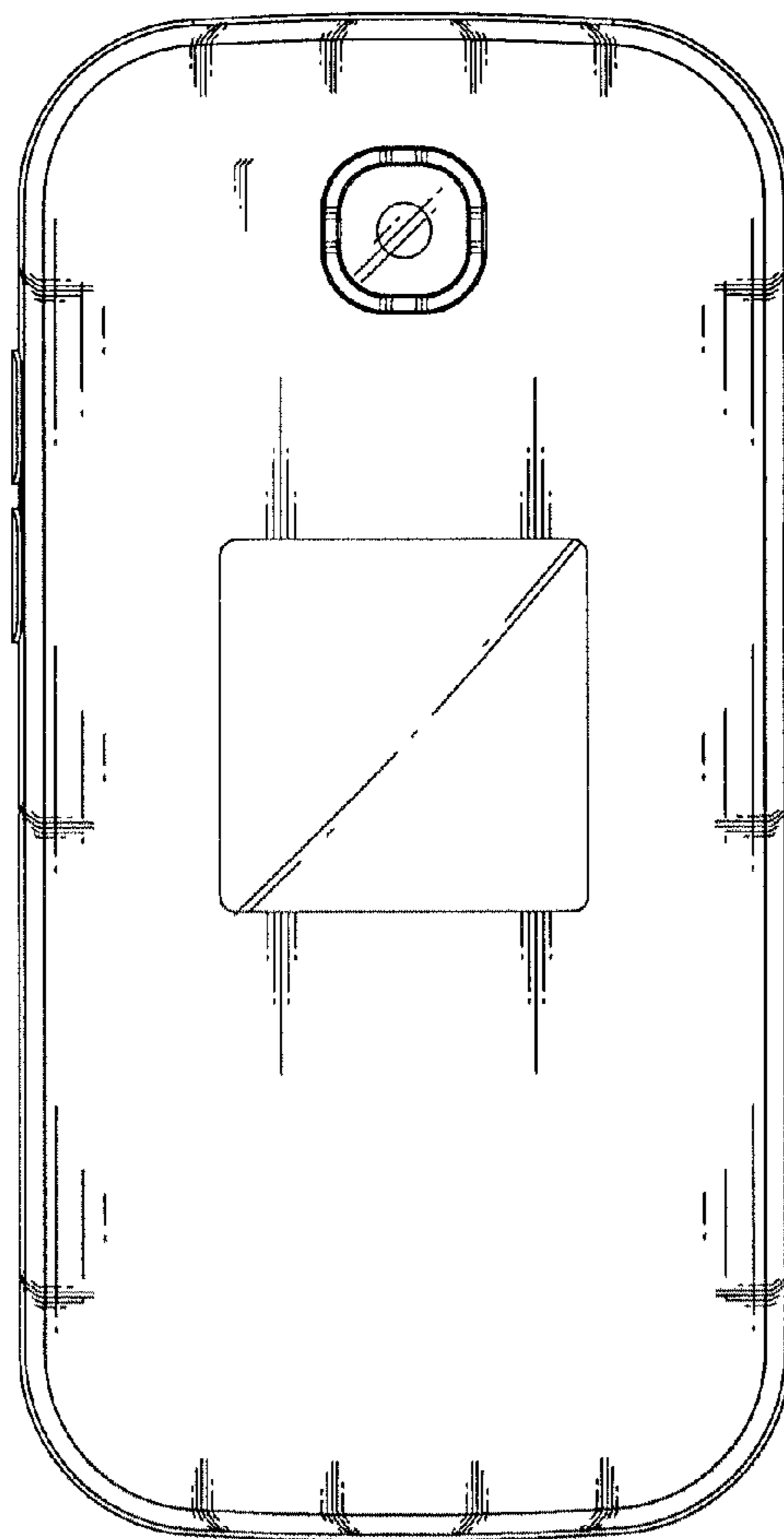


FIG. 3

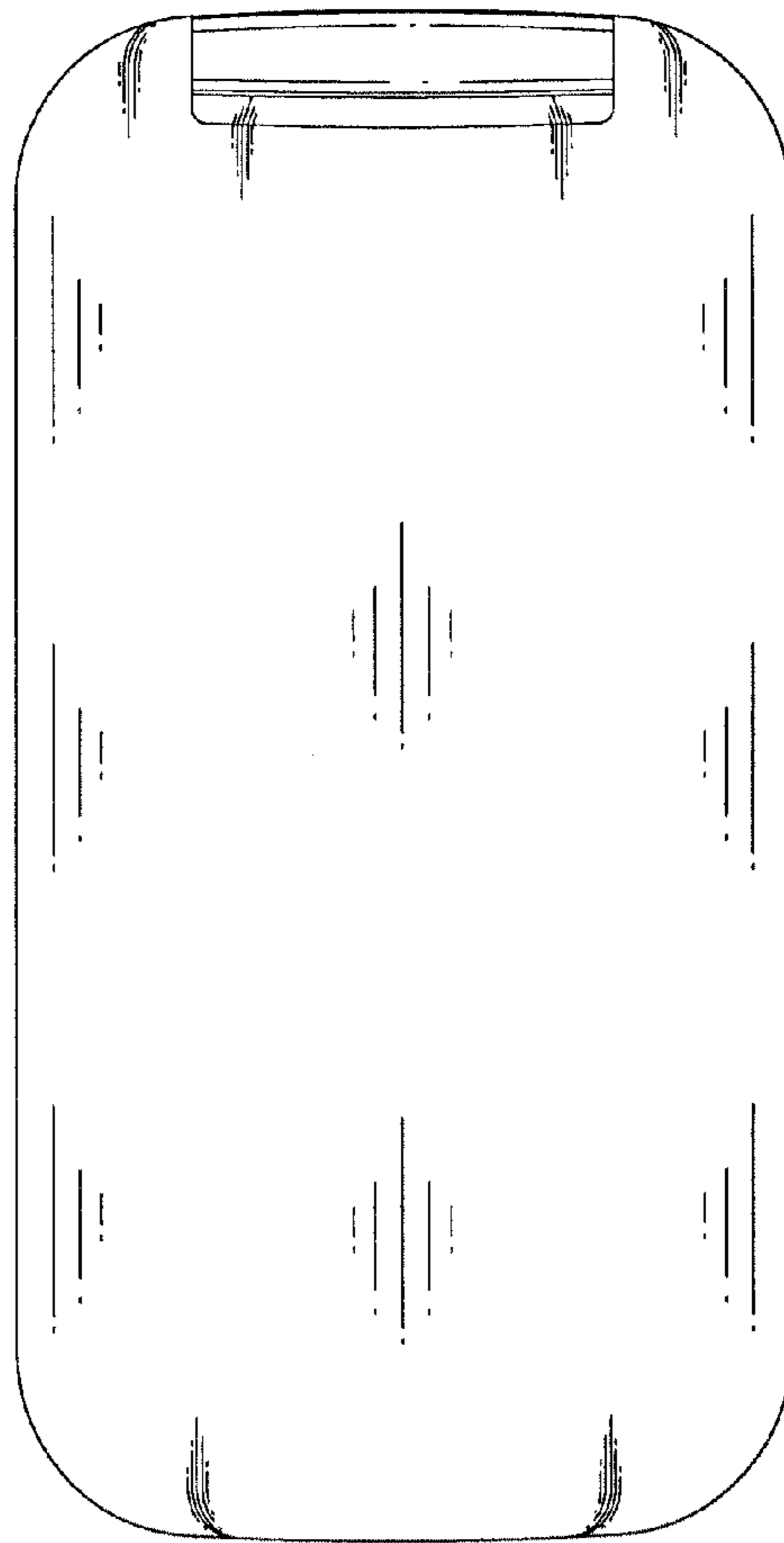


FIG. 4

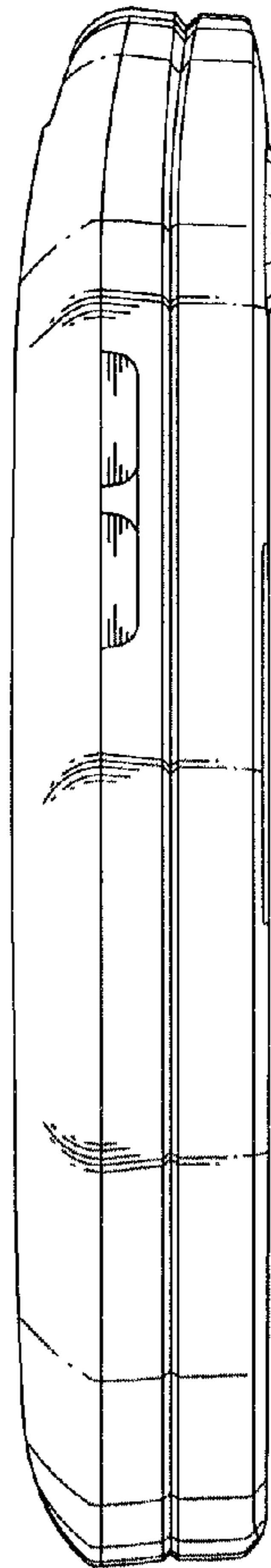


FIG. 5

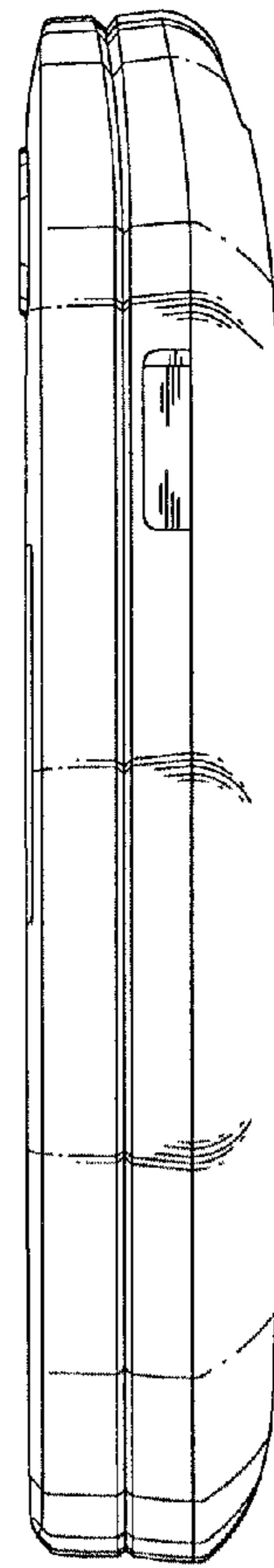


FIG. 6

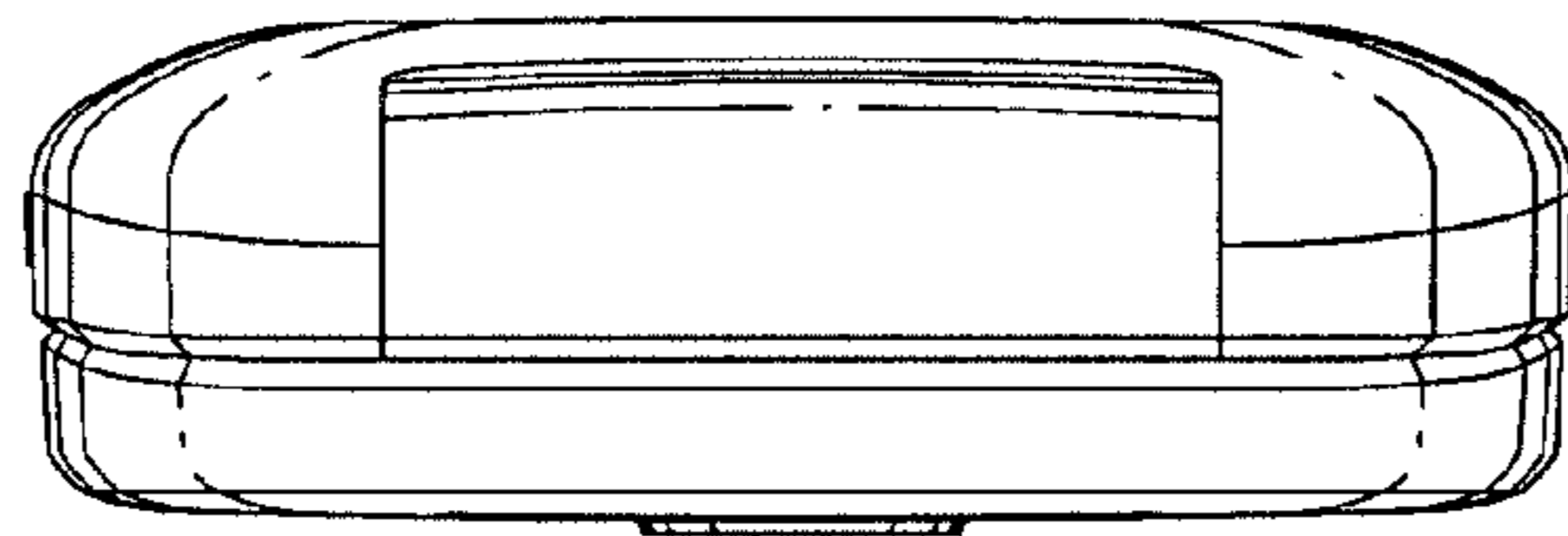


FIG. 7

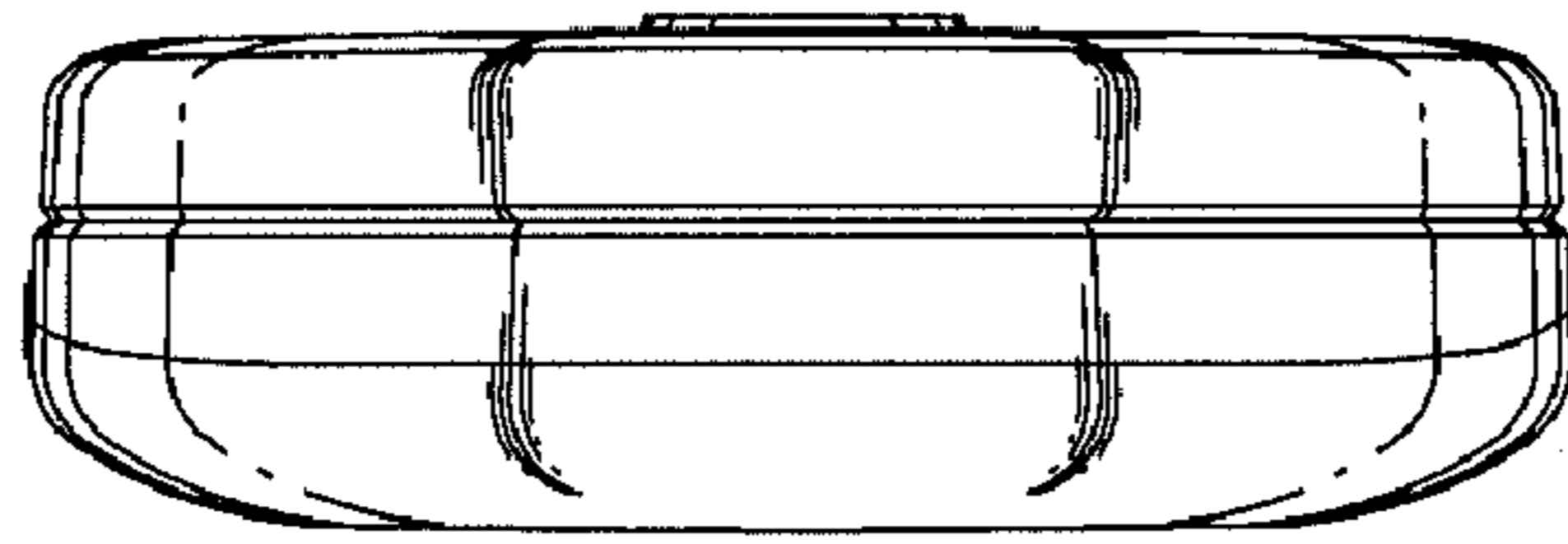


FIG. 8

