



US00D648287S

(12) **United States Design Patent**
Hsu et al.

(10) **Patent No.:** **US D648,287 S**
(45) **Date of Patent:** **** Nov. 8, 2011**

(54) **LIGHT-EMITTING DIODE**

(75) Inventors: **Chia-Liang Hsu**, Yangmei Town (TW);
Han-Min Wu, Hsinchu (TW); **Shih-I**
Chen, Hsinchu (TW); **Chun-Yi Wu**,
Hsinchu (TW); **Mei-Chun Liu**, Hsinchu
(TW)

(73) Assignee: **Epistar Corporation**, Hsinchu (TW)

(**) Term: **14 Years**

(21) Appl. No.: **29/388,571**

(22) Filed: **Mar. 30, 2011**

(51) **LOC (9) Cl.** **13-03**

(52) **U.S. Cl.** **D13/180**

(58) **Field of Classification Search** D13/180;
D26/1, 2; 257/79, 80, 81, 88, 89, 95, 98,
257/99, 100, E33.058; 313/483, 498, 500;
362/555, 800

See application file for complete search history.

(56) **References Cited**

U.S. PATENT DOCUMENTS

6,307,218 B1 * 10/2001 Steigerwald et al. 257/99
6,344,665 B1 * 2/2002 Sung et al. 257/91
D559,802 S * 1/2008 Hsu et al. D13/180

D579,019 S * 10/2008 Lei et al. D14/435
D602,451 S * 10/2009 Gielen D13/180
D633,876 S * 3/2011 Shan et al. D13/180
D638,377 S * 5/2011 Yan et al. D13/180
2005/0052878 A1 * 3/2005 Yamada et al. 362/460
2005/0127485 A1 * 6/2005 Shei et al. 257/678
2009/0026468 A1 * 1/2009 Sakai et al. 257/88
2011/0108862 A1 * 5/2011 Horng et al. 257/88

* cited by examiner

Primary Examiner — Selina Sikder

(74) *Attorney, Agent, or Firm* — Muncy, Geissler, Olds &
Lowe, PLLC

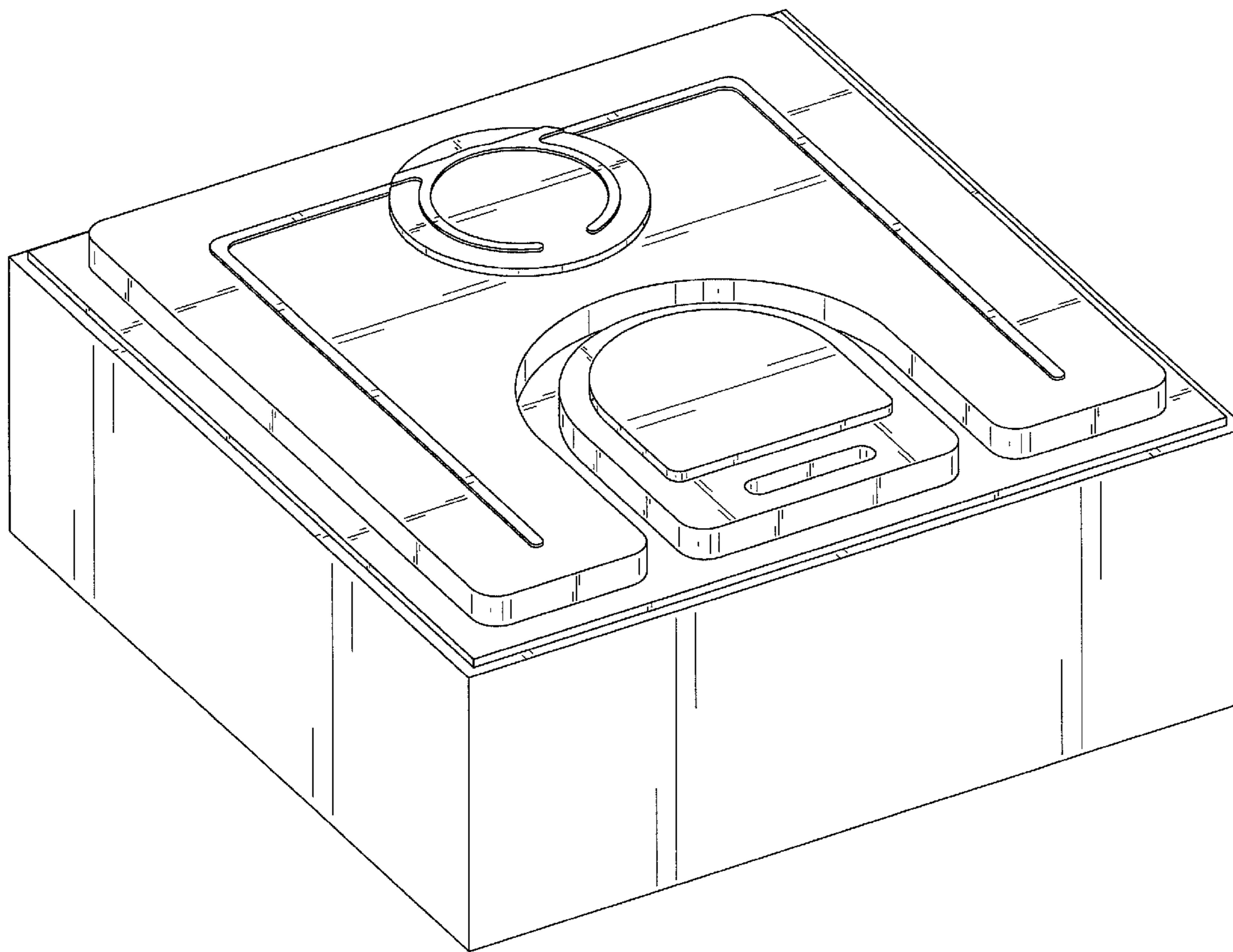
(57) **CLAIM**

The ornamental design for a light-emitting diode, as shown
and described.

DESCRIPTION

FIG. 1 is a front, left perspective view of a light-emitting
diode showing my/our new design;
FIG. 2 is a front elevational view of the light-emitting diode;
FIG. 3 is a rear elevational view of the light-emitting diode;
FIG. 4 is a right side view of the light-emitting diode;
FIG. 5 is a left side view of the light-emitting diode; and,
FIG. 6 is a top plan view of the light-emitting diode, the
bottom thereof being flat and unornamented.

1 Claim, 6 Drawing Sheets



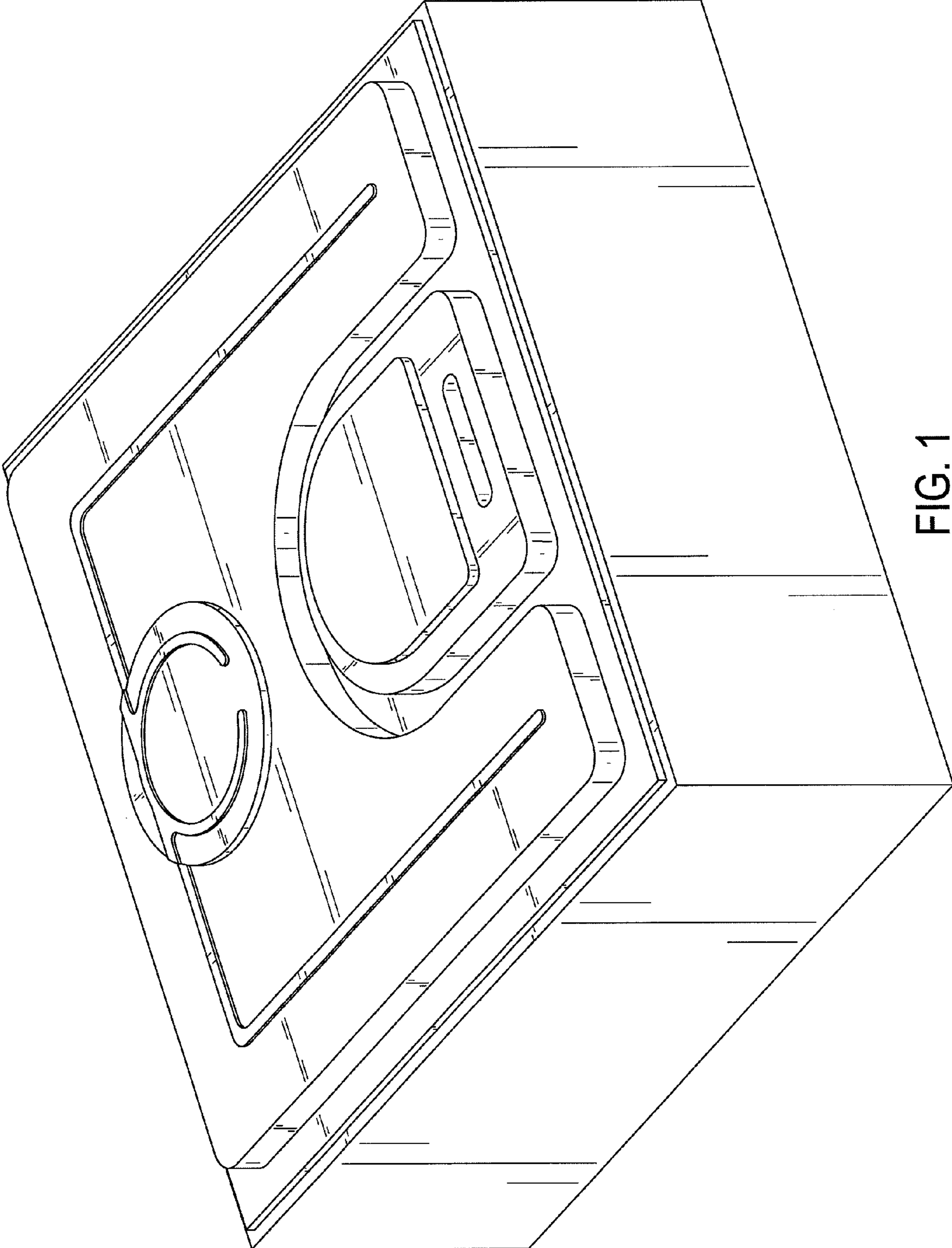


FIG. 1

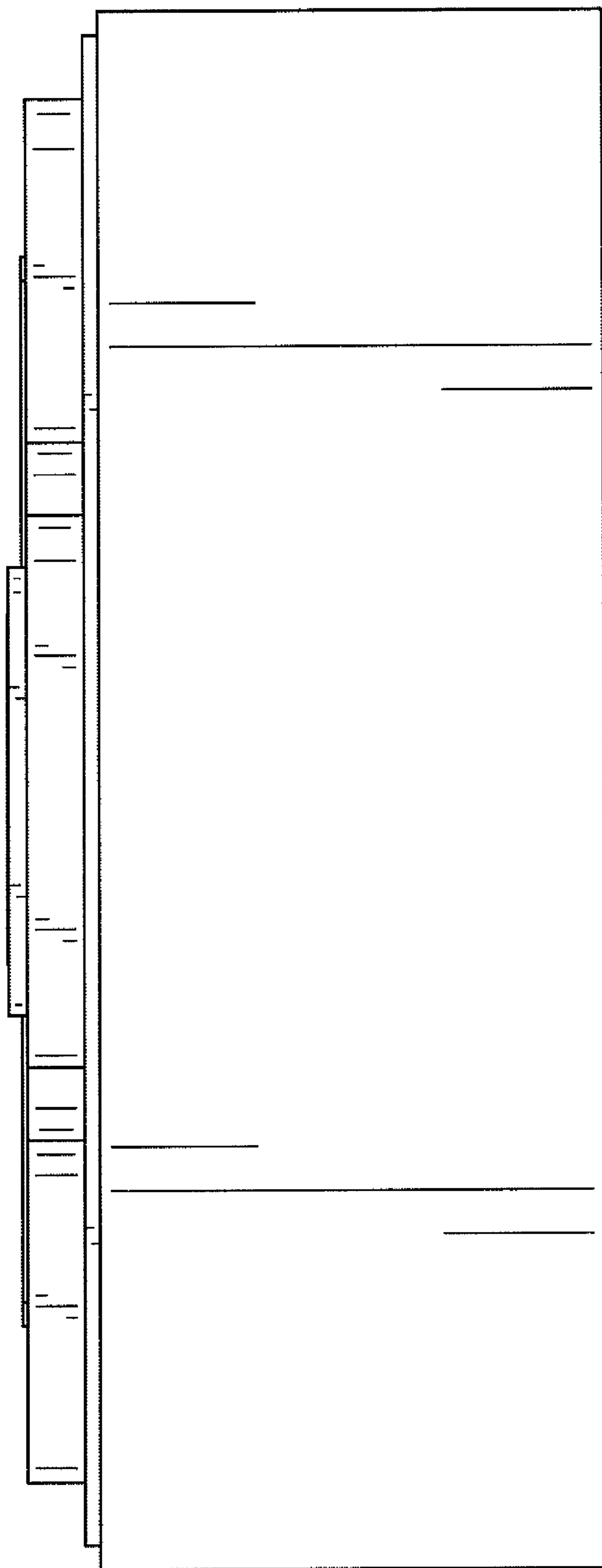


FIG. 2

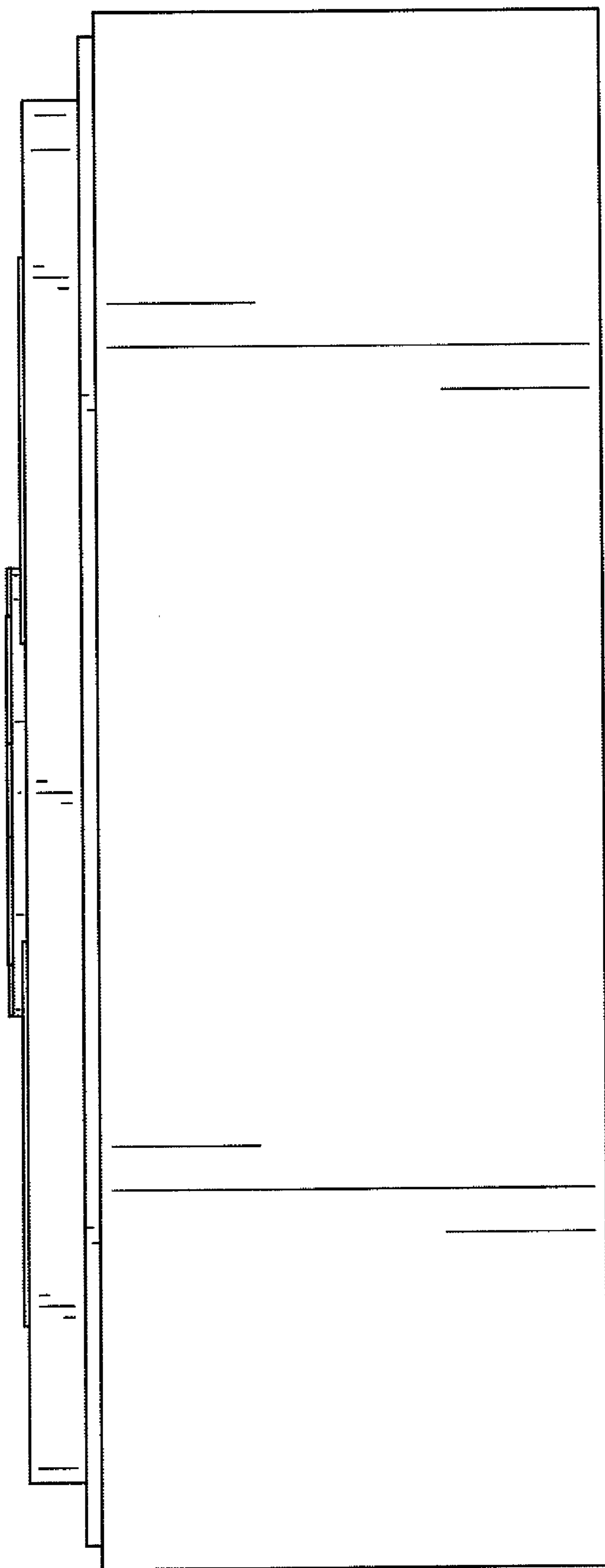


FIG. 3

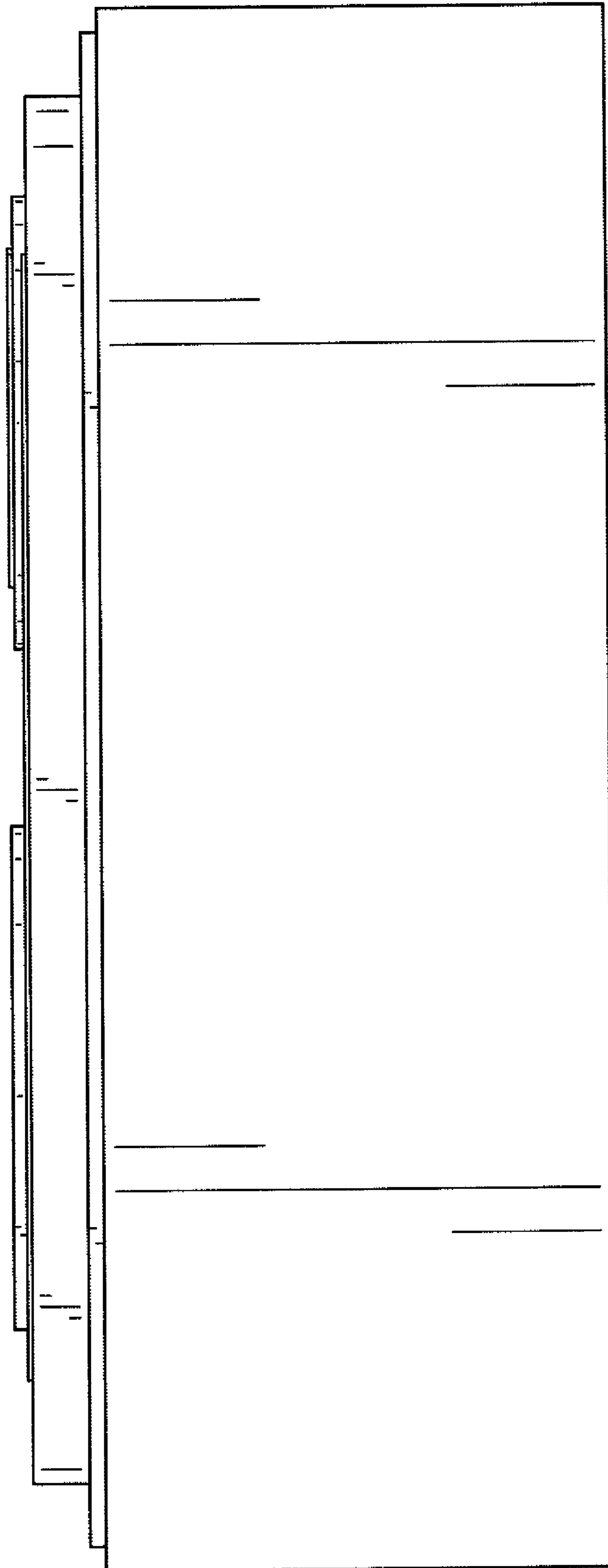


FIG. 4

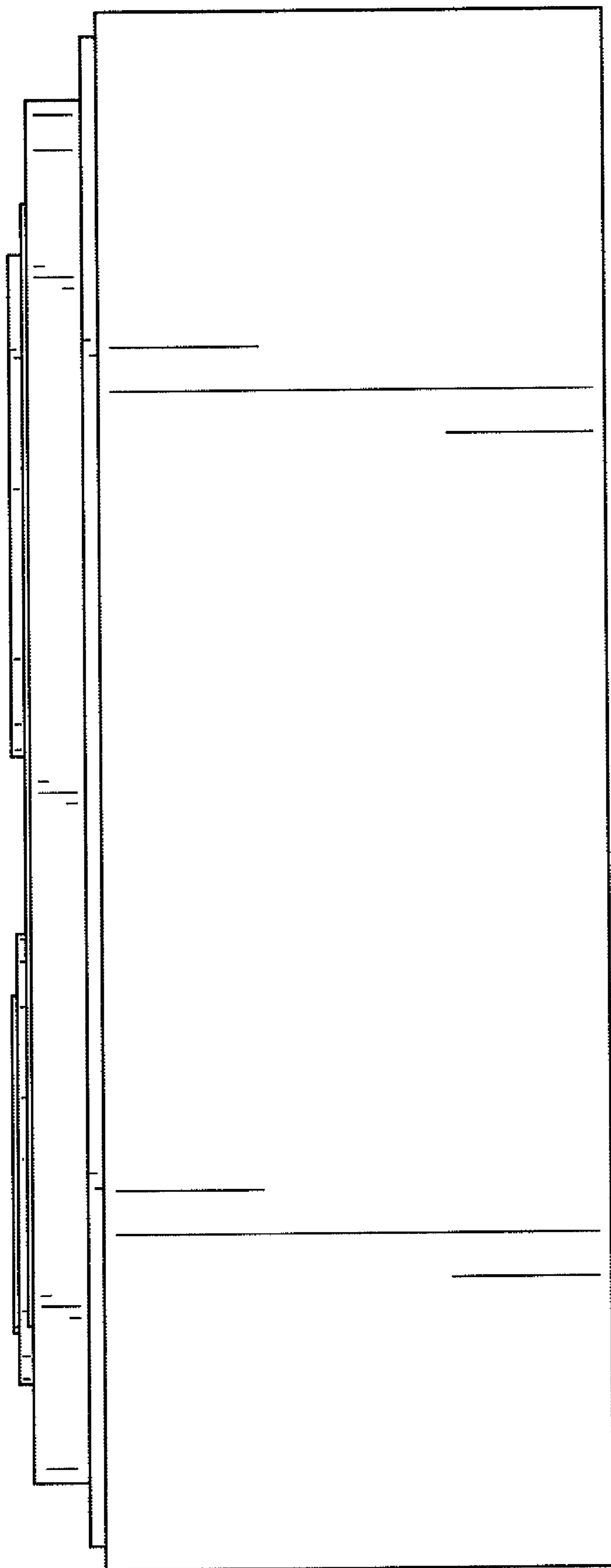


FIG. 5

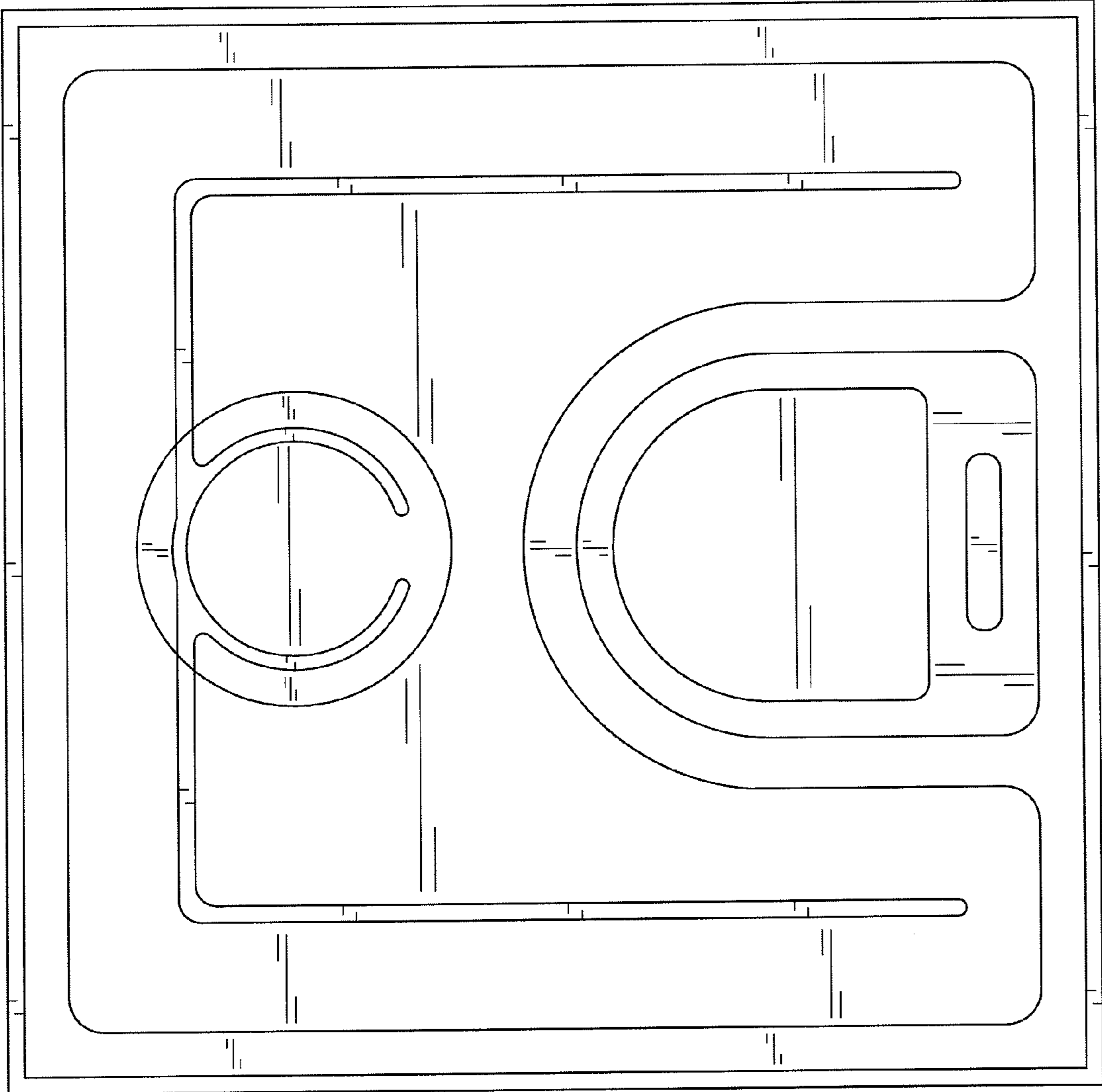


FIG. 6