



US00D648286S

(12) **United States Design Patent**
Chuang

(10) **Patent No.:** **US D648,286 S**

(45) **Date of Patent:** **** Nov. 8, 2011**

(54) **LIGHT EMITTING DIODE CARRIER**

(75) Inventor: **Kai-Wei Chuang**, Xinbei (TW)

(73) Assignees: **Silitek Electronic (Guangzhou) Co., Ltd.**, Guangzhou (CN); **Lite-On Technology Corporation**, Taipei (TW)

(**) Term: **14 Years**

(21) Appl. No.: **29/384,564**

(22) Filed: **Feb. 1, 2011**

(51) **LOC (9) Cl.** **13-03**

(52) **U.S. Cl.** **D13/180**

(58) **Field of Classification Search** D13/180;
257/79, 80, 81, 88, 89, 95, 98, 99, 100, E33.058;
313/483, 498, 500; 362/555, 800
See application file for complete search history.

(56) **References Cited**

U.S. PATENT DOCUMENTS

D601,518 S *	10/2009	Lee et al.	D13/180
D605,609 S *	12/2009	Lee et al.	D13/180
D627,310 S *	11/2010	Lin et al.	D13/180
D634,284 S *	3/2011	Ko et al.	D13/180
D637,980 S *	5/2011	Ko et al.	D13/180

7,982,235 B2 *	7/2011	Asakawa et al.	257/99
2011/0031525 A1 *	2/2011	Nemoto et al.	257/99
2011/0127566 A1 *	6/2011	Yoon	257/99

* cited by examiner

Primary Examiner — Selina Sikder

(74) *Attorney, Agent, or Firm* — Rabin & Berdo, P.C.

(57) **CLAIM**

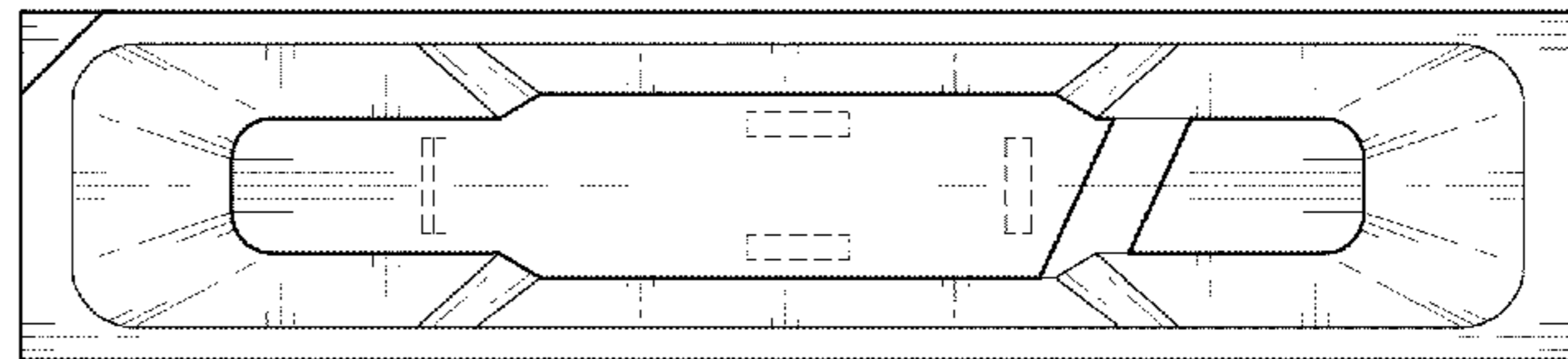
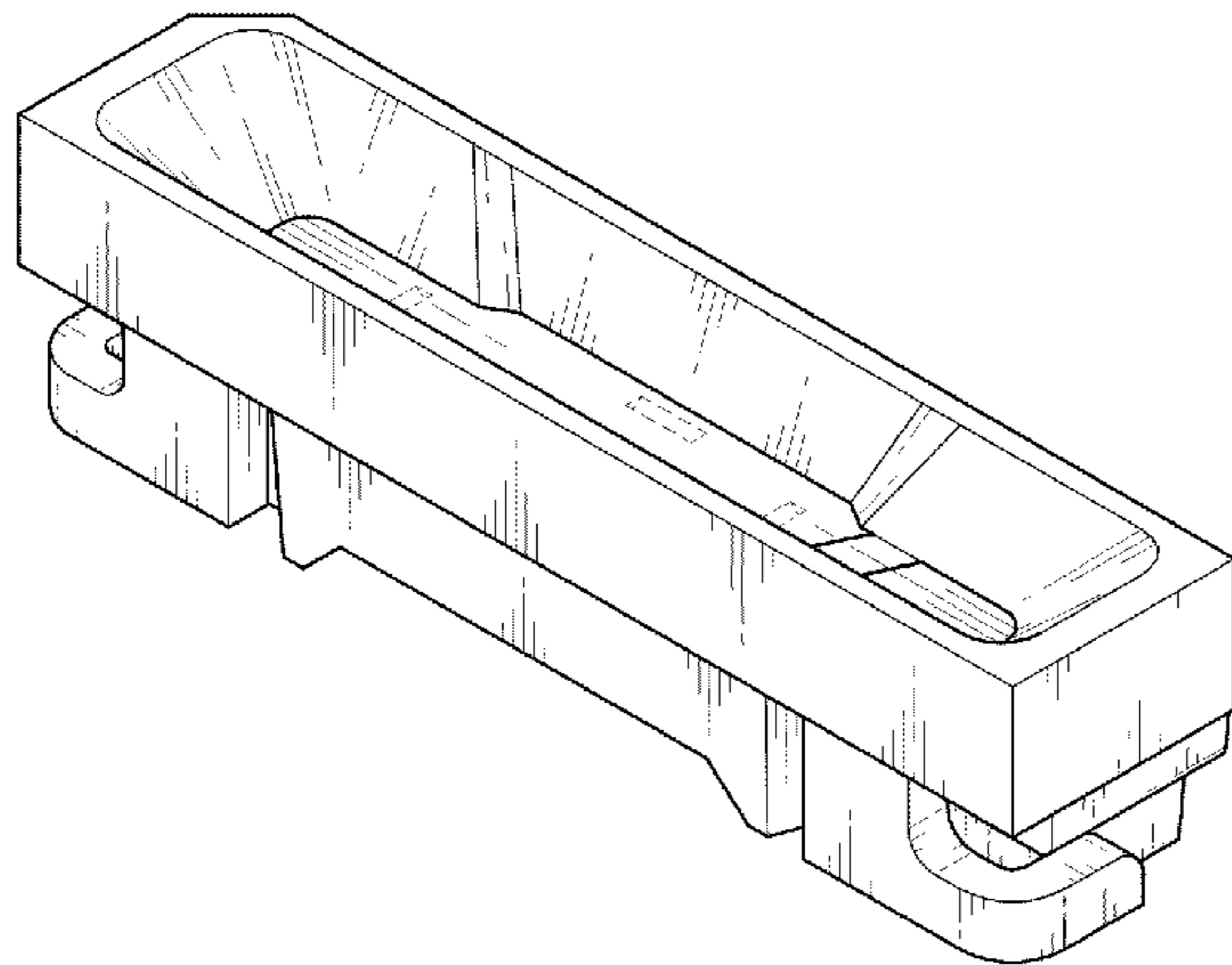
The ornamental design for a “light emitting diode carrier,” as shown and described.

DESCRIPTION

FIG. 1 is a perspective view of a “light emitting diode carrier” showing my new design;
FIG. 2 is a front view thereof;
FIG. 3 is a rear view thereof;
FIG. 4 is a left side view thereof;
FIG. 5 is a right side view thereof;
FIG. 6 is a top view thereof;
FIG. 7 is a bottom view thereof; and,
FIG. 8 is a perspective view showing the practical usage thereof.

The broken line showing of structural features is included for the purpose of illustrating non-claimed subject matter and forms no part of the claimed design.

1 Claim, 5 Drawing Sheets



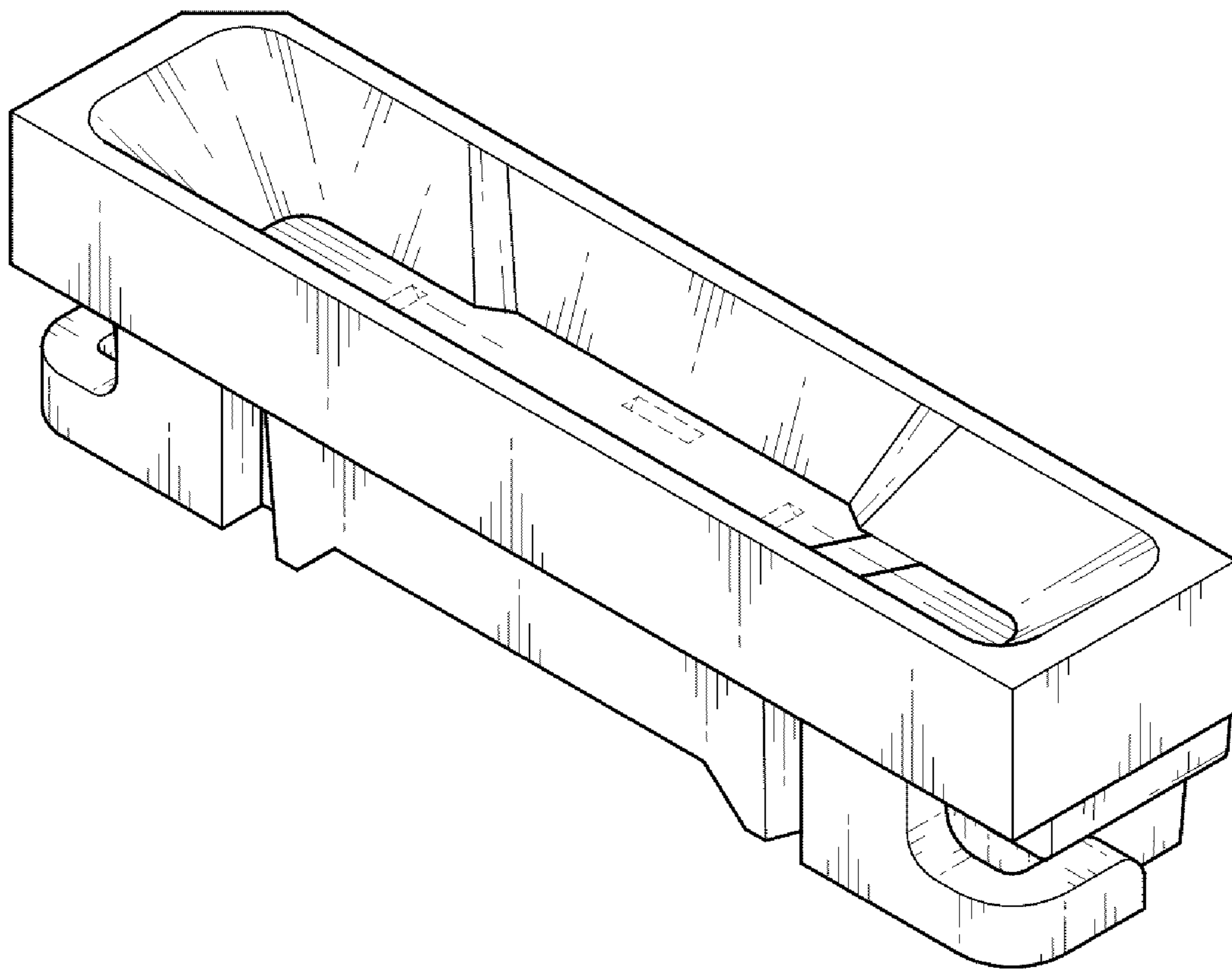


FIG. 1

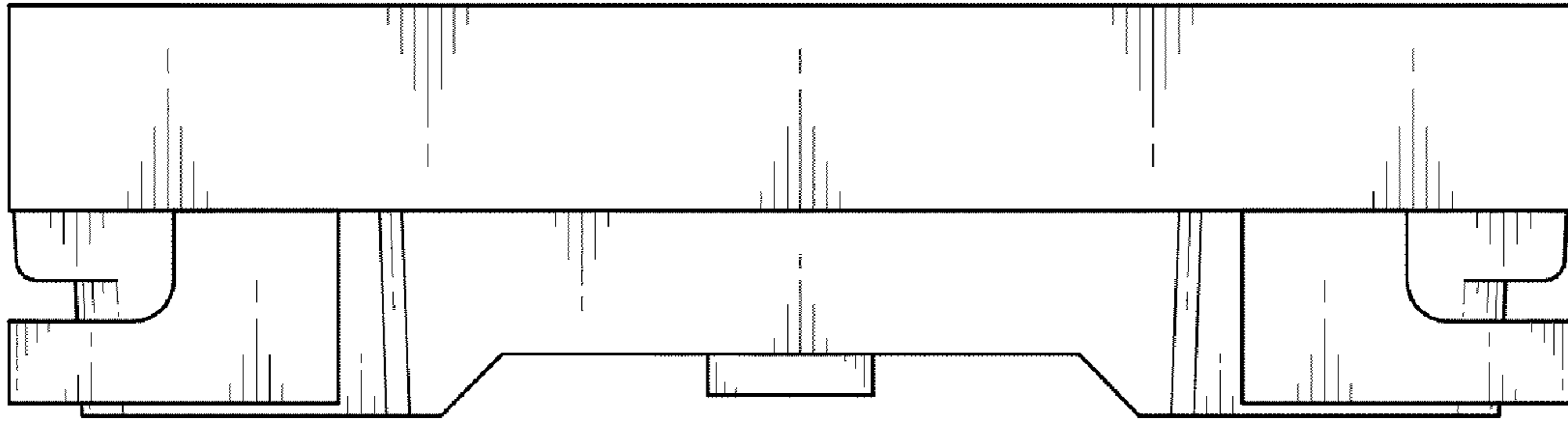


FIG. 2

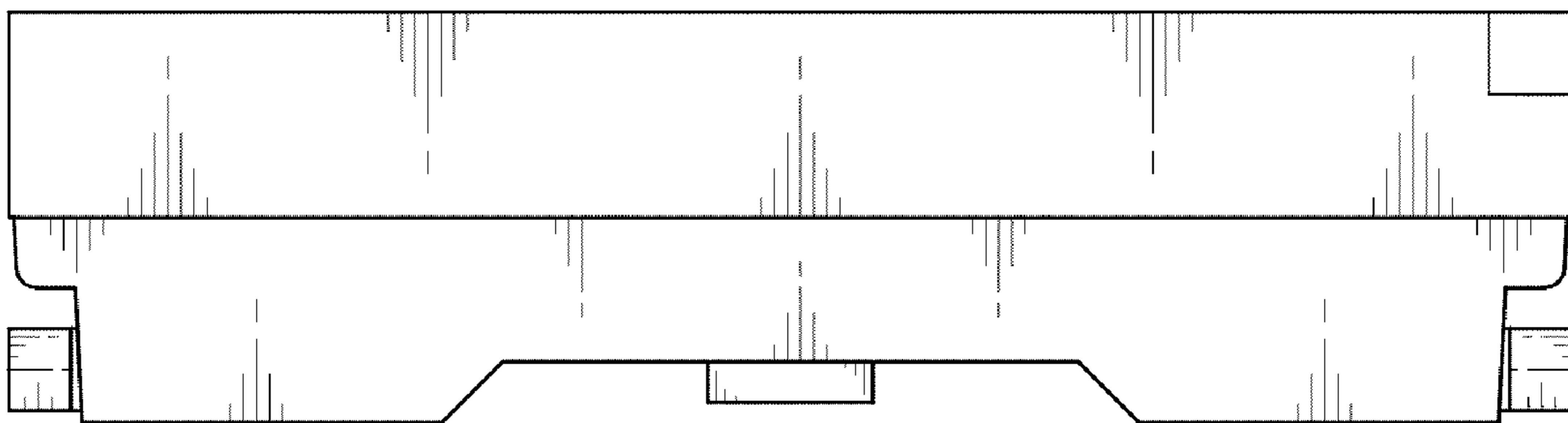


FIG. 3

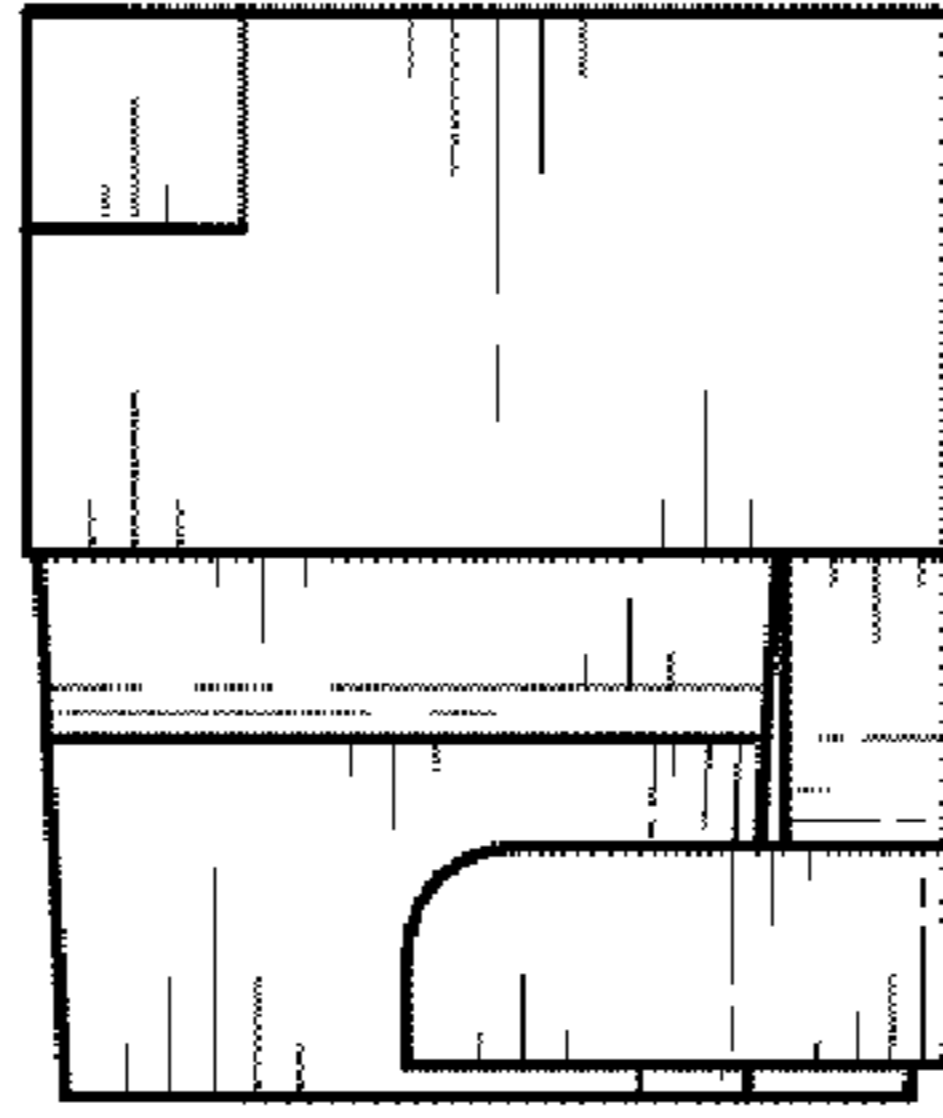


FIG. 4

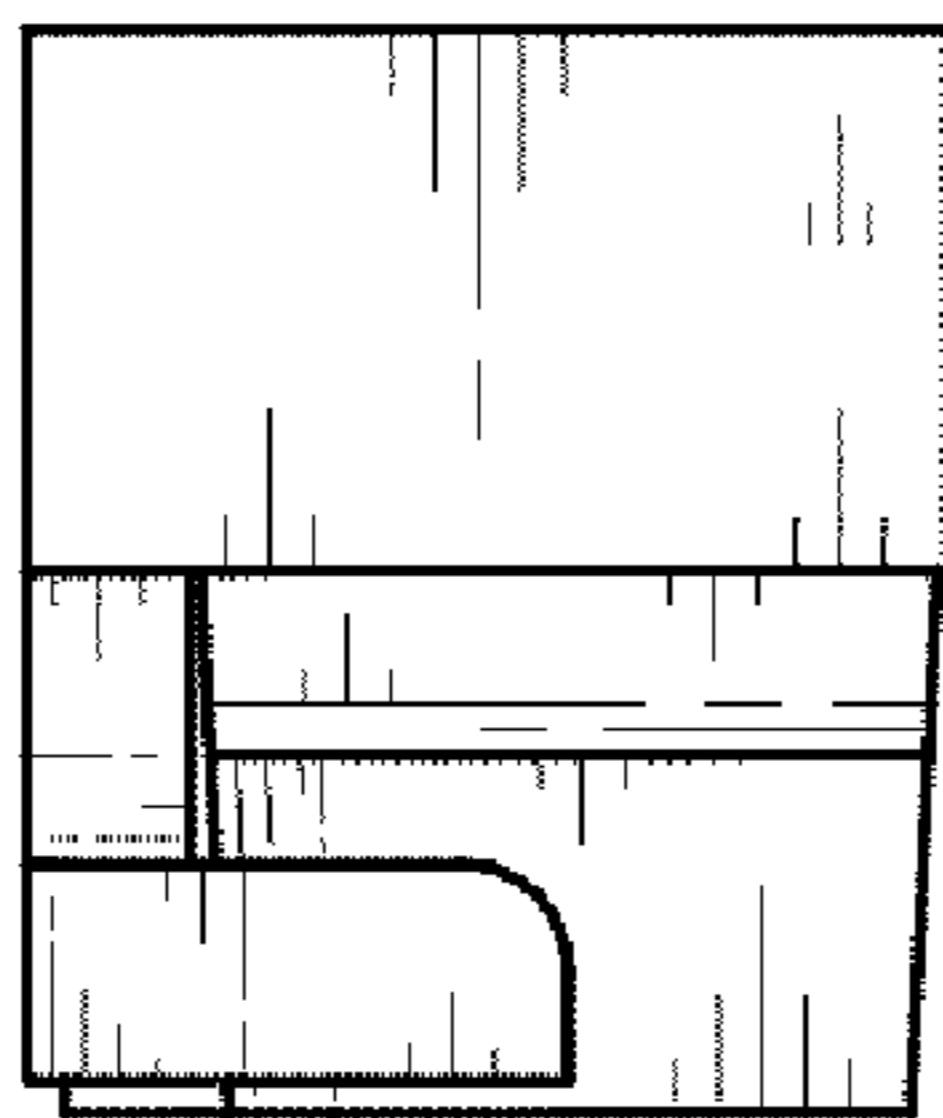


FIG. 5

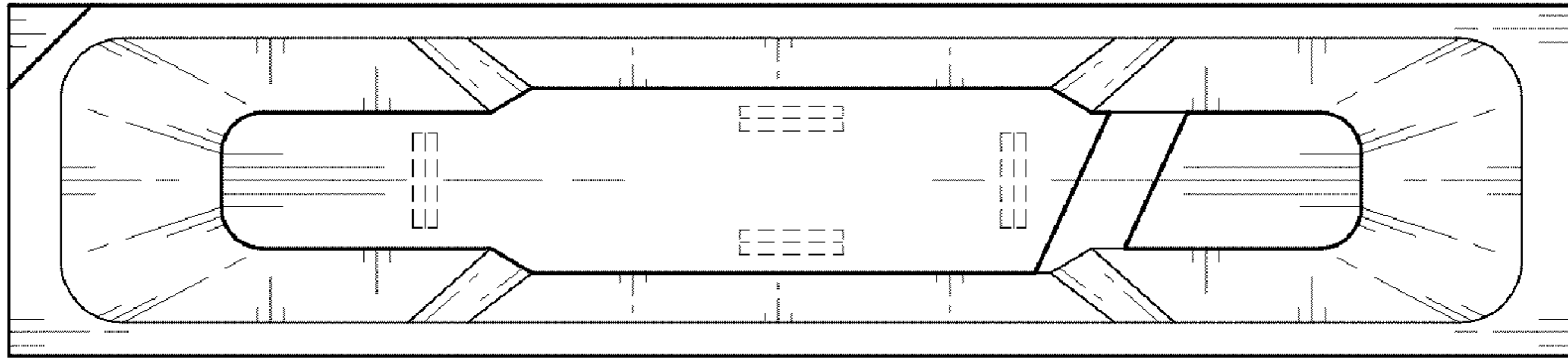


FIG. 6

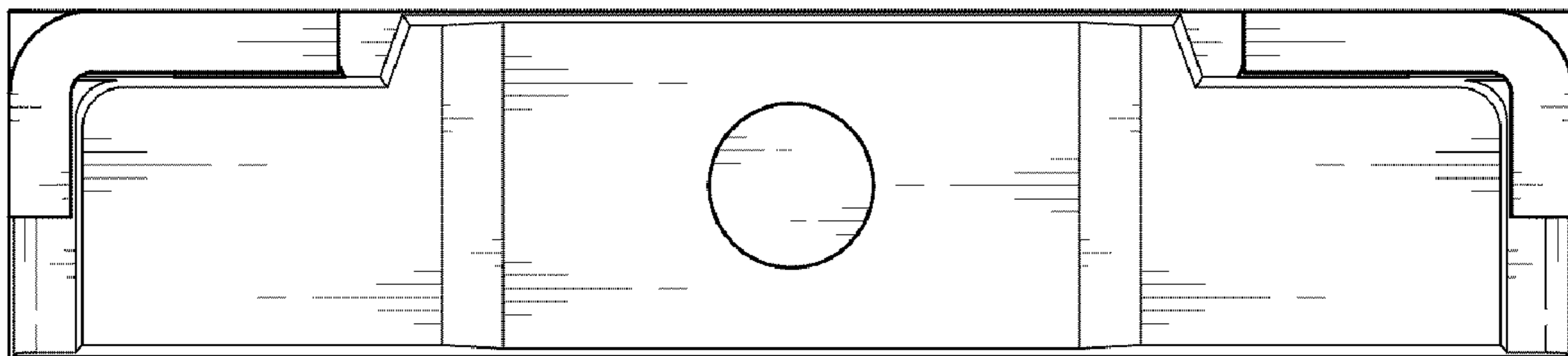


FIG. 7

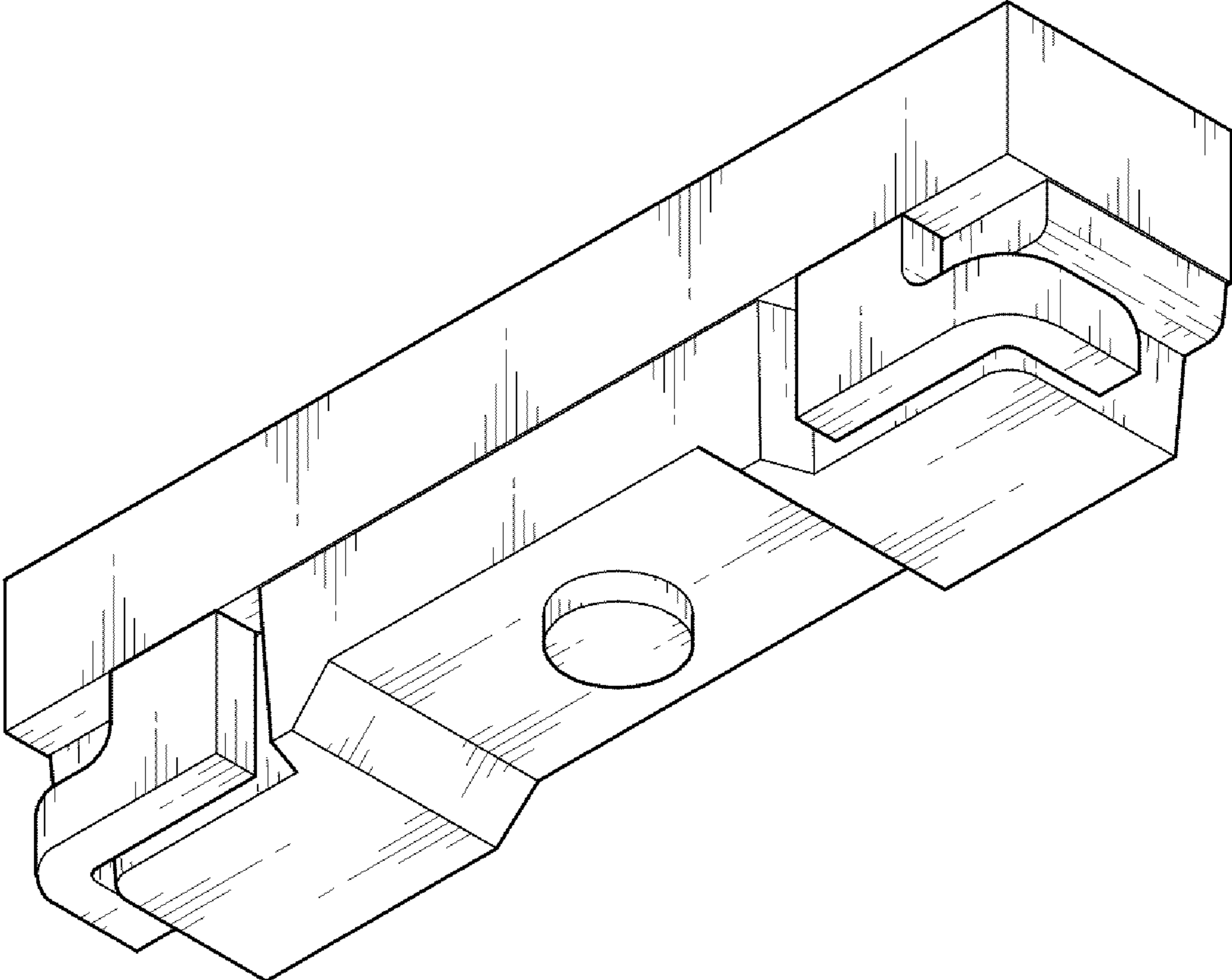


FIG. 8